

04/2017

# Mod: PIZZA-QUICK/66-43

Production code: PZ 4302 D



**Diamond**  
catering equipment

**INSTRUCTIONS FOR USE AND INSTALLATION**  
**PIZZA OVENS**  
**PZ 430 S / PZ 430 D / PZ 4302 D**



**Made in France**

November 2011

# PIZZA OVENS

## PZ 430 S / PS 430 D / PS 4302 D

Congratulations for the acquisition of this upmarket appliance made in France. You chose an appliance which alloys the best technical qualities with a big user-friendliness. We wish you the biggest contentment

### **1. SECURITY INSTRUCTIONS**

Please respect these instructions scrupulously to avoid any risk of fire, electric shock, scald or other wounds and damage. During the use of this appliance, fundamental circumspection of security must always be noticed, such as:

- Take into account the instructions and keep it systematically with the appliance.
- Install the appliance always in instructions respect. A 10 cm distance minimum with the partition or the wall is necessary.
- Protect the appliance from direct light of the sun, frost and humidity.
- Never leave the appliance within the reach of children or disabled persons without surveillance.
- Never move the appliance when it is working or when the surfaces of cooking are still hot.
- Check that the appliance is definitely off before connecting it up or disconnecting it.
- Do not touch the hot surfaces of the appliance. The temperature of the hot surfaces can be very important when the appliance is working. Always use handles and control knobs.
- Do not use the appliance for other functions than determined use.
- Do not leave the electrical cord in contact of hot surfaces.
- The appliance should not be used close to combustible materials.
- During use, look after not to obstruct hearings of aeration of the appliance
- To avoid any electric shock, never plunge the appliance, the cord or plug in water or quite other liquid.
- If the cord is harmed, it must be replaced by the producer, his after sale service or persons of similar skills to avoid any risk.
- Entrust repairs only to a skilled person.
- Use only spare parts of origin.
- At the end of cooking, before cleaning the appliance, do not forget to disconnect it.

## 2. CONTENTS OF CARDBOARD PACKAGING

Device: a pizza oven

Accessories: - a fire stone  
- the present note

See exploded views for PZ 430 S / PZ 430 D / PZ 4302D at the end of the document

## 3. CONFORMITY OF USE

Use the appliance only to cook fresh or frozen products like pizzas, quiches, lasagnes, pies, bread, pastries....

## 4. WAY OF FUNCTIONING

These pizza ovens are made for the fast cooking of fresh or deep frozen products.

Cooking is made thanks to 8 quartz tube heating elements (PZ 430 S/PZ 430 2D) or 16 quartz tube heating elements (PZ 430 D) which produce a maximum infrared radiation. A fire stone ensures an excellent spread of heat for an homogeneous cooking of the dough.

To turn on the oven, select the heating time by turning the timer control knob (n°1 on picture), the green pilot light (n°2 on picture) ignites.

You can put the timer on the continuous position by turning the timer control knob on the left. In this case, do not forget to turn off the oven at the end of the service.

Turn on the thermostat control knob (n°3 on picture) on the wished position, the orange pilot light (n°4 on picture) ignites. The upper quartz tubes are running. Turn on the regulation knob (n°5 on picture) on the wished power. The lower quartz tubes ignite.

You can reach full power by turning the knob on C position.



① 15 mn timer

② On/off pilot light

③ Thermostat

④ Thermostatic pilot light

⑤ Regulator

## **5. FUNCTIONING / MANIPULATION**

### **a) Installation / assembly:**

- Unpack carefully the device of its packaging.
- Place it on a plane and heatproof surface.
- Never place the device near a wall or near a partition makes of combustible materials even if it is very well isolated.
- A distance of minimum 10 cm with the partition or the wall is necessary.
- Remove the protective film around the device and unpack the fire stone

### **b) First starting:**

During the first use, warm your machine up outside to evacuate residual smokes of manufacturing oil from the metallic parts. This may emit a slight smell for a few moments.

#### ***First cleaning***

Clean the device before the first use. (See 6. Cleaning)

#### ***Connection of the device***

- Check that the tension and the frequency of the electricity network suit to the values indicated on the descriptive plate.
- Check that neither the cord nor the plug are damaged. If necessary, it has to be replaced by the manufacturer, its after sale service or any qualified person to avoid any risk.
- Make sure that every control knob is positioned on 0.
- Unwind completely the electric power cable and connect it in a plug connected with the earth.
- The device is connected.

NB: in case of connection of the device in a plug without earth protection or directly on the electricity network, confide its connection to a qualified person .

## **c) Use of device :**

### ***Elements of command and display***

<b>Command/Display</b>	<b>Function</b>
Regulator (n°5 on picture)	Temperature setting of the bottom heating element
Thermostat (n°3 on picture)	Temperature setting inside the cooking chamber
15 min timer (n°1 on picture)	On/off + Cooking time
Green pilot light (n°2 on picture)	Machine on (pilot light on) Machine off (pilot light off)
Orange pilot light (n°4 on picture)	Warming up (pilot light on) Desired temperature reached (pilot light off)

### ***Putting on***

Turn on the timer control knob (n°1 on picture) on wished cooking time. The green pilot light (n°2 on picture) ignites

Turn on the thermostat control knob (n°3 on picture) on the wished position: the orange pilot light (n°4 on picture) ignites. The machine is warming up.

Once orange pilot light (n°4 on picture) is off, the machine reached the wished temperature and is ready for cooking.

### ***A few tips***

**To obtain much better results, we advise to regulate the oven as follows:**

- A fresh pizza (diam.40cm) with a thin dough will be ready in 3 min, thermostat 350 °C, regulator on position 9.

- A deep-frozen pizza (diam. 40cm) with a thick dough will be ready in 4 min, thermostat 320°C, regulator on position 7

You can use your pizza oven in continuous by turning the timer on left side from position 0. Caution : do not forget to turn off your pizza oven after use.

### ***Temperature setting***

Set the temperature by positioning the thermostat (n°3 on picture) to the desired temperature. The orange pilot light (n°4 on picture) switches on if a higher level of temperature is required and switches off when the same is reached.

The energy regulator enables you to adapt the heating power of the bottom heating element regarding the thickness of the dough to be cooked. The thicker is the dough, the higher the temperature has to be. The cooking of the pizza dough is essentially made through the bottom.

## ***Stopping the appliance***

Set the thermostat control knob (n°3 on picture) on 0

Set the timer (n°1 on picture) on 0 : the appliance is no longer functioning.

Disconnect the power cable.

Clean the appliance. (see 6. Cleaning)

### **d) Breakdown / repair:**

In case of breakdown or of damaged part, please call your after-sales service and confide any technical operation to qualified person.

When you contact the after-sales service of your distributor or your store, give him the complete reference of your device (commercial name, type and serial number). This information appears on the visible descriptive plate behind the device.

## **6. CLEANING AND MAINTENANCE**

Disconnect the device.

- Let cool completely the device before any technical intervention or cleaning.
- Clean the fire stone when it is warm by scratching it slightly with a wire brush or a small emery cloth to remove residues.
- Never clean the fire stone under water- Never clean the quartz tubes when they are hot
- Avoid touching quartz tubes with your fingers but use a cloth moistened with spirit.
- Clean regularly the external walls of your device with warm water and wash liquid: avoid the abrasive towelling. Rinse your device with a wet sponge.
- Never clean the device under a water jet, the infiltrations would risk to damage it in a irreparable way.
- Never immerse the device, the cord or the plug in the water or quite other liquid to avoid any electric shock.
- During a prolonged non-use, we recommend you strongly to keep the device shielded from the humidity.

## **7. TECHNICAL SPECIFICATIONS**

<b>Model</b>	<b>PZ 430 S</b>	<b>PZ 430 D</b>	<b>PZ 430 2D</b>
<b>Outside dimensions</b>	670x580x270 mm	670x580x500 mm	895x580x270 mm
<b>Inside dimensions</b>	430X430 mm	2x (430x430)	660x430
<b>Weight</b>	31 Kg	54 Kg	41Kg
<b>Power</b>	3000 W	6000 W	5000 W
<b>No element</b>	8	16	8
<b>Current</b>	13 A	13 A/Phase	11 A/Phase
<b>Voltage</b>	220-240 V ~	380-415 V 3 N~ ou 2x 220-240 V ~	380-415 V 3 N~

Wires colours correspondence

Phase 1

Brown

Phase 2

Black

Phase 3


Grey

Neutral

Blue

Earth

Yellow-Green

The equipotential connection marked by this symbol  must be linked with the equipotential conductive connection of your installation by means of a minimum conduction of a 2.5 mm<sup>2</sup> section.

## **8. NORMS AND LEGALS DISPOSALS**

The device is conform to :

IEC/EN 60335-1

IEC/EN 60335-2-36

EN 55014-1 + 55014-2

EN 61000-3-2 + 61000-3-3

Humidity protection degrees IPX3, in conformity with the norm 60335-2-36 (2008)

## **9. ELIMINATION OF THE ELECTRIC AND ELECTRONIC WASTE**

The device respects the directives:

2002/96/CE (DEEE) N°34270064800021

2002/95/CE (ROHS)

2006/95 CE

2004/108 CE



### **Reach rule**

Never put the device among household waste.

The device must be put down in a centre of recycling for the electric equipments.

The materials of the device are indeed reusable. By eliminating correctly the electric and electronic wastes, the recycling and quite other shape of re-use of worn equipments, you participate in a significant way in the environmental protection.

For any information about the collection of electric and electronic waste, please contact your distributor.

## **10. GUARANTEE**

### **Conditions of guarantee**

The guarantee applicable to any device is the commercial guarantee of the distributor or the retailer. Please contact the store where you bought your device to know the precise conditions.

The guarantee grants no right for damages.

The dispositions which follow are not exclusive of the profit of the legal guarantee planned by articles 1641 and following ones of the Civil code relative to the defects and the latent defects.

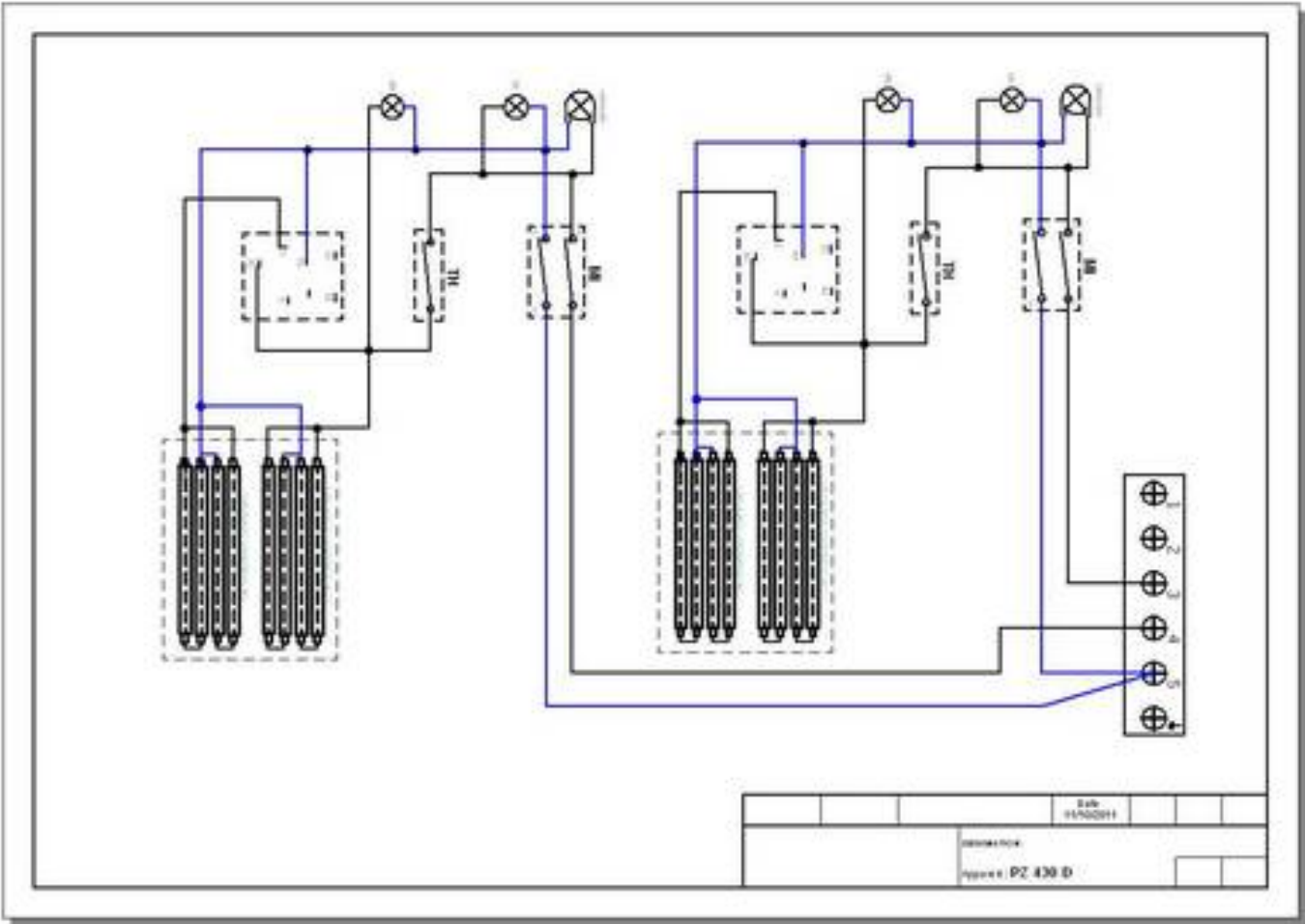
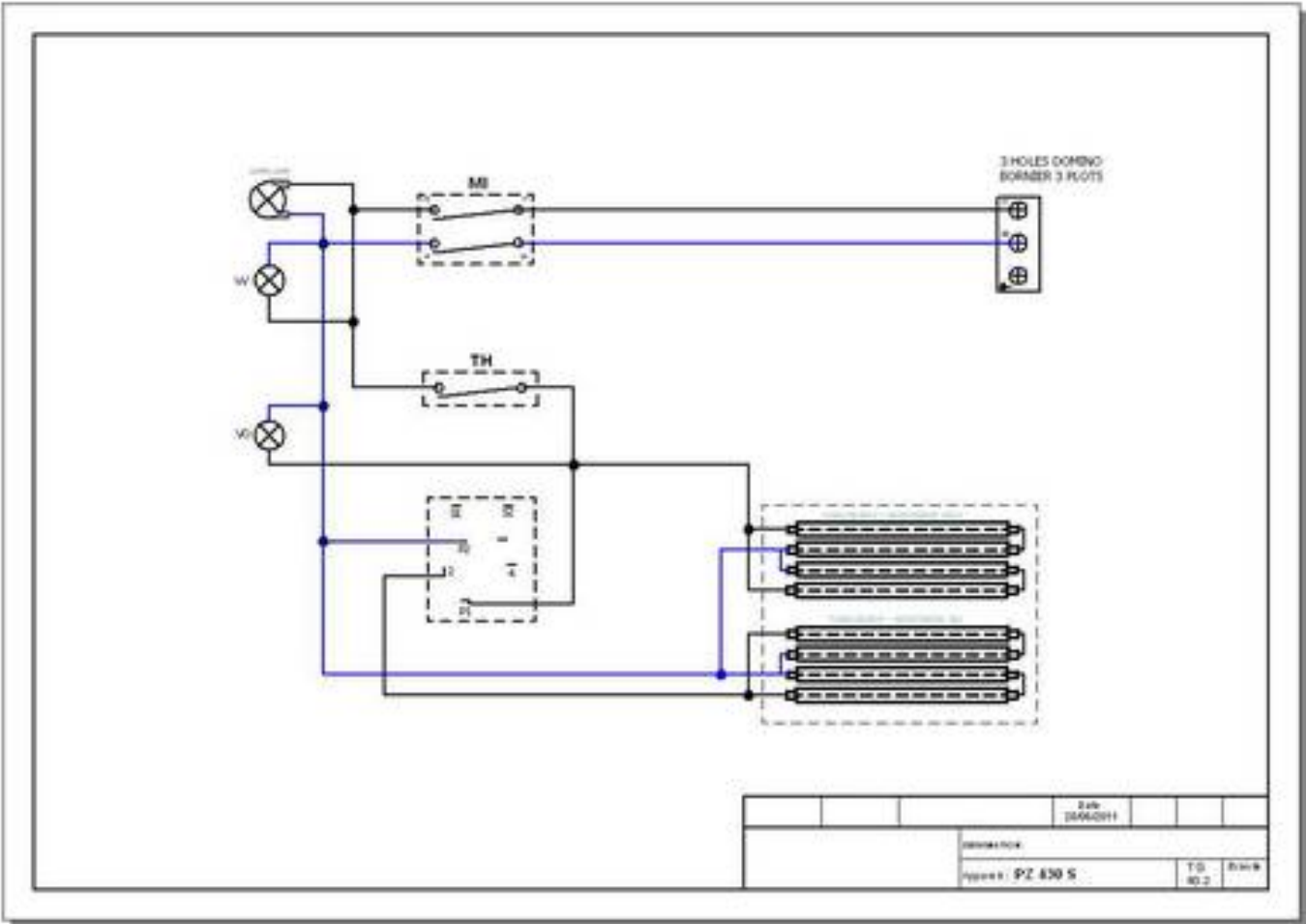
### **Exclusion clauses of the guarantee**

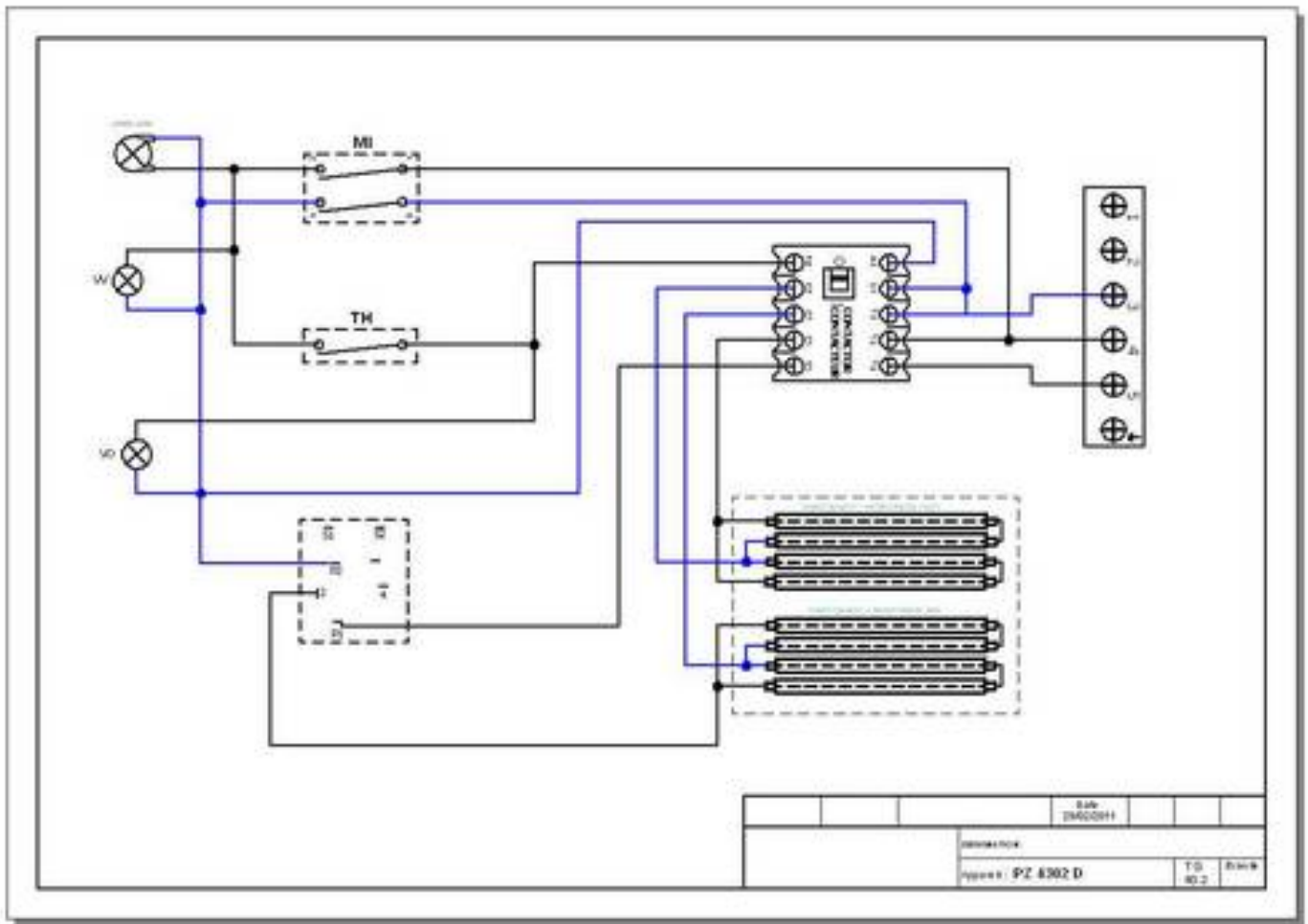
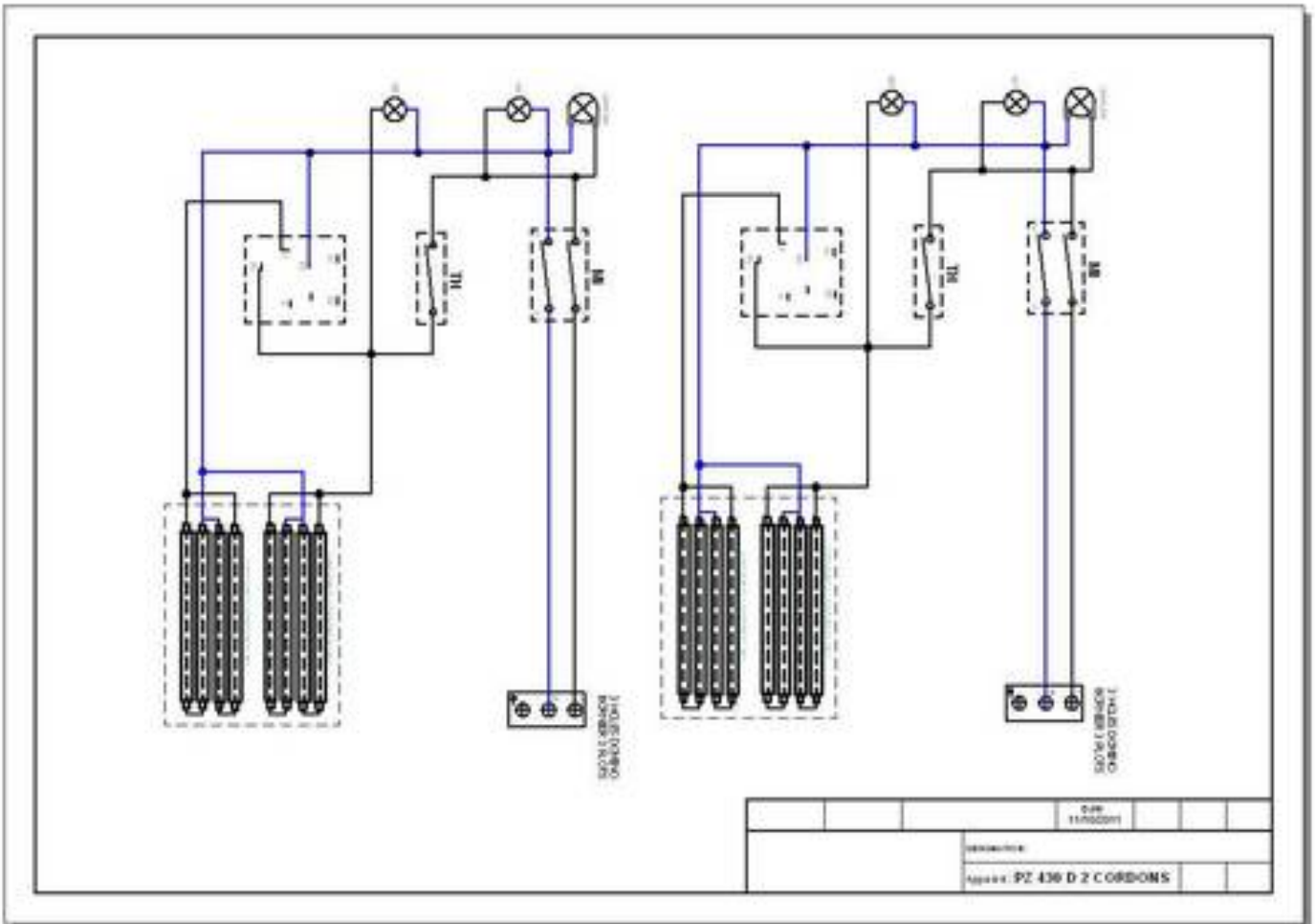
**Bad installation and bad maintenance, in particular if they do not respect current regulations or instructions appearing in this user guide.**

Cannot benefit from the guarantee the repairs required as a result of false operations, of inappropriate use, of carelessness or of excess loads of the device, as well as those resulting from variations of the power supply, over tension or from defective installations.

The damage due to shocks, bad weather is not flatware by the guarantee. The material travels at the risks of the user; in case of delivery by carrier, the consignee has to have reservations towards the carrier before any delivery of the device.

The guarantee comes to an end in case of intervention, of repair, of modification by no qualified persons, or of use in inappropriate purposes.





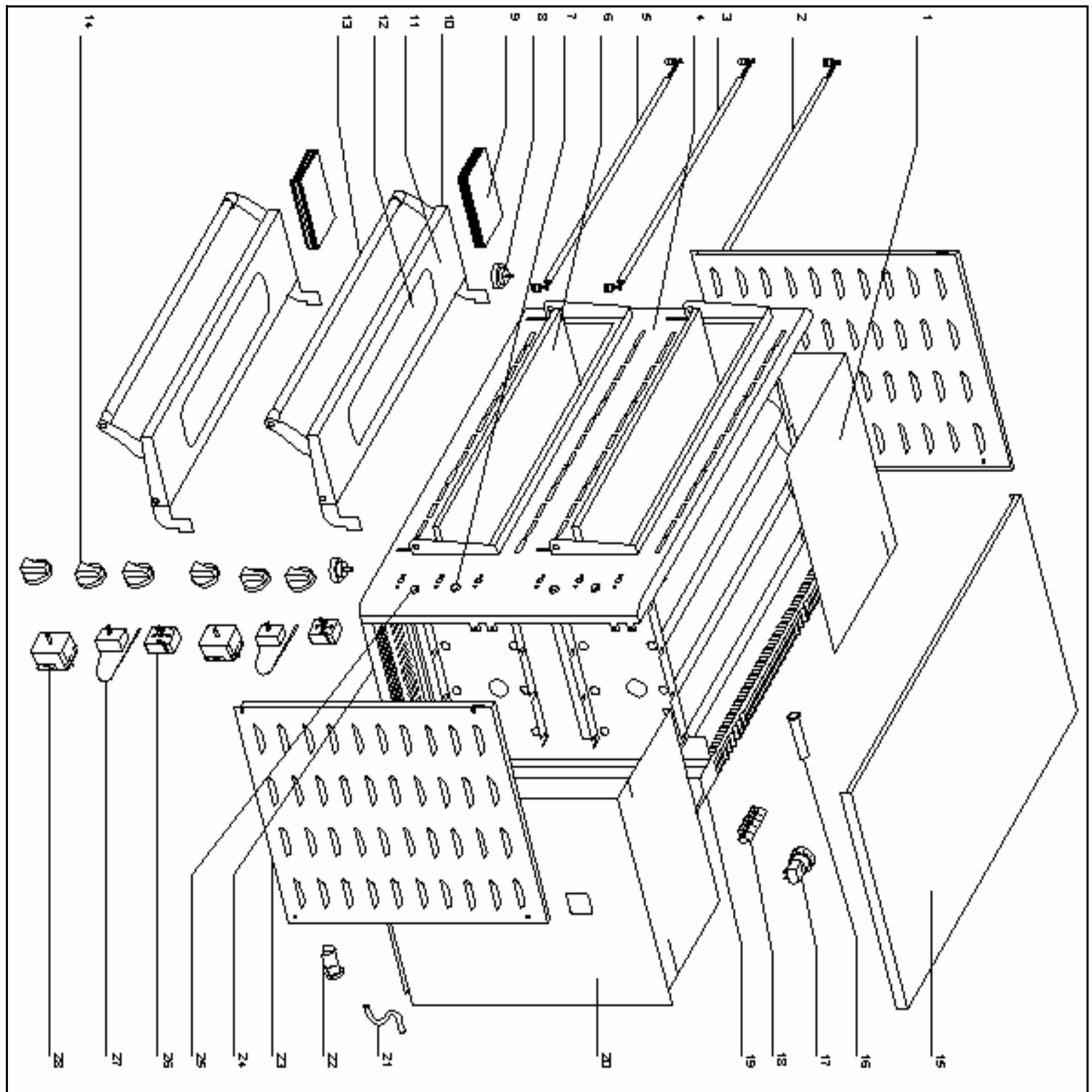
**Nomenclature PZ 430 S**  
**Spare parts PZ 430 S**

Rep	Code	Qty	Pièce	Spare part
1	35101	1	Défecteur gauche	Left deflector
2	D04041	2	Résistance+tube quartz haut arrière	Rear top quartz tube+heating element
3	D04040	2	Résistance+tube quartz haut avant	Front top quartz tube+heating element
4	35087SE	1	Platine avant	Control panel
5	D04041	4	Résistance + tube quartz bas	Bottom quartz tube+heating element
6	F07025	1	Chamotte	Fire stone
7	A08009	1	Voyant vert	Green pilot light
8	35113	12	Contre poids	Against weight
9	35095SE	1	Porte	Door
10	35096SE	1	Contre porte	Inner door
11	H01076	2	Vitre	Glass
12	A15061	1	Poignée	Handle
13	A08003	1	Voyant orange	Orange pilot light
14	A13017	4	Pied	Foot
15	A14078	3	Bouton	Knob
16	35091	1	Dessus	Top
17	B04104	1	Tube vapeur	Stream tube
18	A18022	1	Support lampe + lampe	Lamp + lamp holder
19	A16013	1	Bornier 3 plots	Three holes domino
20	35100	1	Fond arrière de cuve	Tank back rear
21	35102	1	Défecteur droit	Right deflector
22	C03013	1	Cordon avec prise	Cord with plug
23	A10032	1	Serre cable	Cord closer
24	35099	2	Flasque	Side casing
25	35088	1	Socle	Base
26	A02029	1	Minuterie 15 '	Timer 15 '
27	A06042	1	Thermostat	Thermostat
28	A04006	1	Régulateur	Regulator



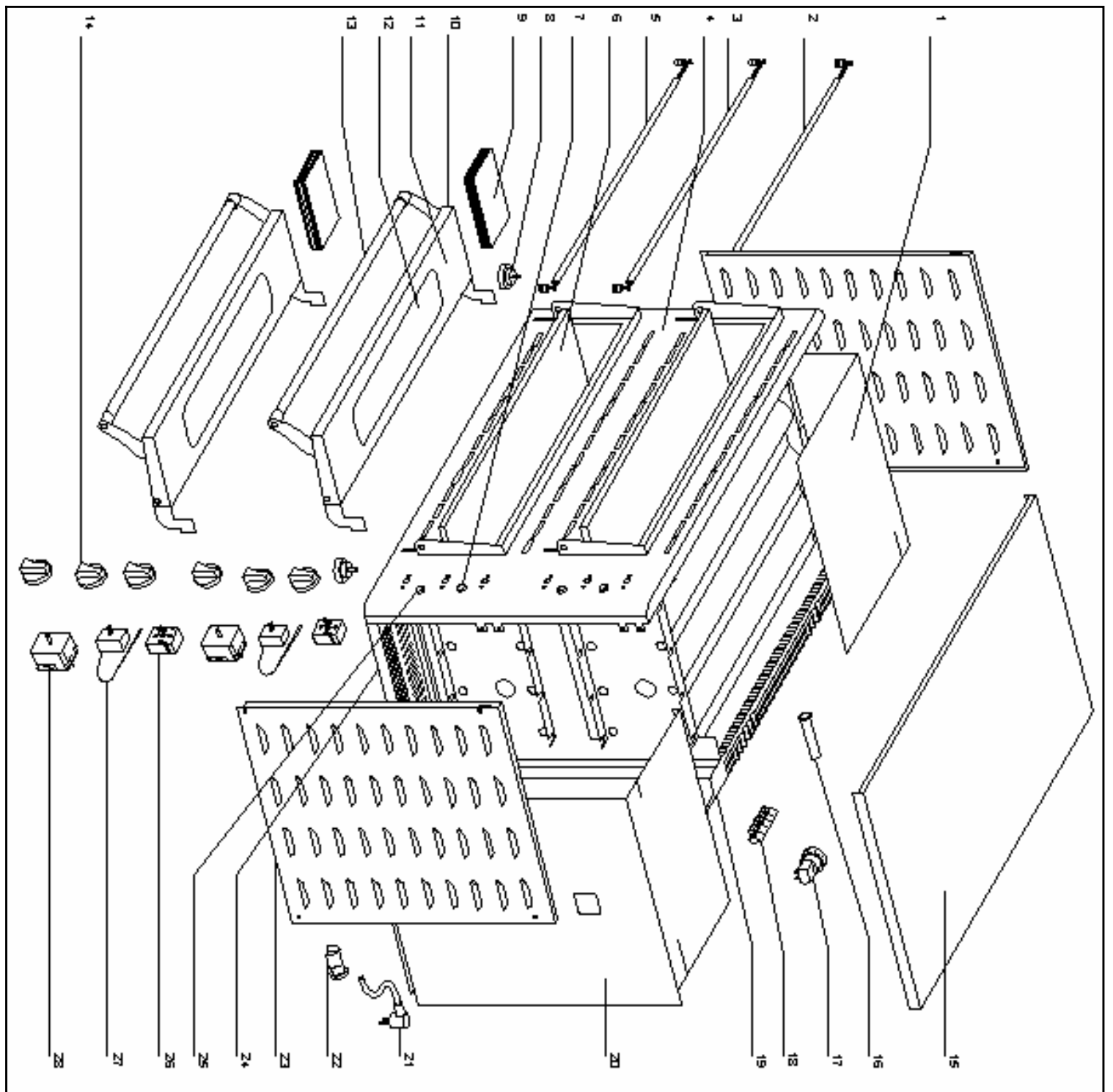
**Nomenclature PZ 430 D (triphase)**  
**Spare parts PZ 430 D (3 phases)**

Rep	Code	Qty	Pièce	Spare part
1	35111	1	Défecteur gauche	Left deflector
2	D04041	4	Résistance+tube quartz haut arrière	Rear top quartz tube+heating element
3	D04040	4	Résistance+tube quartz haut avant	Front top quartz tube+heating element
4	35106SE	1	Platine avant	Control panel
5	D04041	8	Résistance + tube quartz bas	Bottom quartz tube+heating element
6	F07025	2	Chamotte	Fire stone
7	A08009	2	Voyant vert	Green pilot light
8	A13017	4	Pied	Foot
9	35113	24	Contre poids	Against weight
10	35095SE	2	Porte	Door
11	35096SE	2	Contre porte	Inner door
12	H01076	4	Vitre	Glass
13	A15061	2	Poignée	Handle
14	A14078	6	Bouton	Knob
15	35091	1	Dessus	Top
16	B04104	2	Tube vapeur	Stream tube
17	A18022	2	Support lampe + lampe	Lamp + lamp holder
18	A16014	1	Bornier 6 plots	Six holes domino
19	35110	1	Fond arrière de cuve	Tank back rear
20	35112	1	Défecteur droit	Right deflector
21	C01010	1	Cable	Cord
22	A10032	1	Serre cable	Cord closer
23	35109	2	Flasque	Side casing
24	35088	1	Socle	Base
25	A08003	2	Voyant orange	Orange pilot light
26	A02029	2	Minuterie 15 '	Timer 15 '
27	A06042	2	Thermostat	Thermostat
28	A04006	2	Régulateur	Regulator



**Nomenclature PZ 430 D (2 cordons)**  
**Spare parts PZ 430 D (2 cords)**

Rep	Code	Qty	Pièce	Spare part
1	35111	1	Défecteur gauche	Left deflector
2	D04041	4	Résistance+tube quartz haut arrière	Rear top quartz tube+heating element
3	D04040	4	Résistance+tube quartz haut avant	Front top quartz tube+heating element
4	35106SE	1	Platine avant	Control panel
5	D04041	8	Résistance + tube quartz bas	Bottom quartz tube+heating element
6	F07025	2	Chamotte	Fire stone
7	A08009	2	Voyant vert	Green pilot light
8	A13017	4	Pied	Foot
9	35113	24	Contre poids	Against weight
10	35095SE	2	Porte	Door
11	35096SE	2	Contre porte	Inner door
12	H01076	4	Vitre	Glass
13	A15061	2	Poignée	Handle
14	A14078	6	Bouton	Knob
15	35091	1	Dessus	Top
16	B04104	1	Tube vapeur	Stream tube
17	A18022	2	Support lampe + lampe	Lamp + lamp holder
18	A16014	1	Bornier 6 plots	Six holes domino
19	35110	1	Fond arrière de cuve	Tank back rear
20	35112	1	Défecteur droit	Right deflector
21	C03013	2	Cordon avec prise	Cord with plug
22	A10032	2	Serre cable	Cord closer
23	35109	2	Flasque	Side casing
24	35088	1	Socle	Base
25	A08003	2	Voyant orange	Orange pilot light
26	A02029	2	Minuterie 15 '	Timer 15 '
27	A06042	2	Thermostat	Thermostat
28	A04006	2	Régulateur	Regulator



**Nomenclature PZ 430 2D**  
**Spare parts PZ 430 2D**

Rep	Code	Qty	Pièce	Spare part
1	35124	1	Défecteur gauche	Left deflector
2	D04039	2	Résistance+tube quartz haut arrière	Rear top quartz tube+heating element
3	D04038	4	Résistance+tube quartz haut avant	Front top quartz tube+heating element
4	35114SE	1	Platine avant	Control panel
5	D04039	4	Résistance + tube quartz bas	Bottom quartz tube+heating element
6	F07024	1	Chamotte	Fire stone
7	A08009	1	Voyant vert	Green pilot light
8	35113	12	Contre poids	Against weight
9	35119SE	1	Porte	Door
10	35120SE	1	Contre porte	Inner door
11	H01075	2	Vitre	Glass
12	A15060	1	Poignée	Handle
13	A08003	1	Voyant orange	Orange pilot light
14	A13017	4	Pied	Foot
15	A14078	3	Bouton	Knob
16	35116	1	Dessus	Top
17	B04104	1	Tube vapeur	Stream tube
18	A18022	1	Support lampe + lampe	Lamp + lamp holder
19	A16014	1	Bornier 6 plots	Six holes domino
20	35123	1	Fond arrière de cuve	Tank back rear
21	A05008	1	Contacteur	Contacteur
22	35125	1	Défecteur droit	Right deflector
23	C01010	1	Cable	Cord
24	A10032	1	Serre cable	Cord closer
25	35099	2	Flasque	Side casing
26	35115	1	Socle	Base
27	A02029	1	Minuterie 15 '	Timer 15 '
28	A06042	1	Thermostat	Thermostat
29	A04006	1	Régulateur	Regulator

