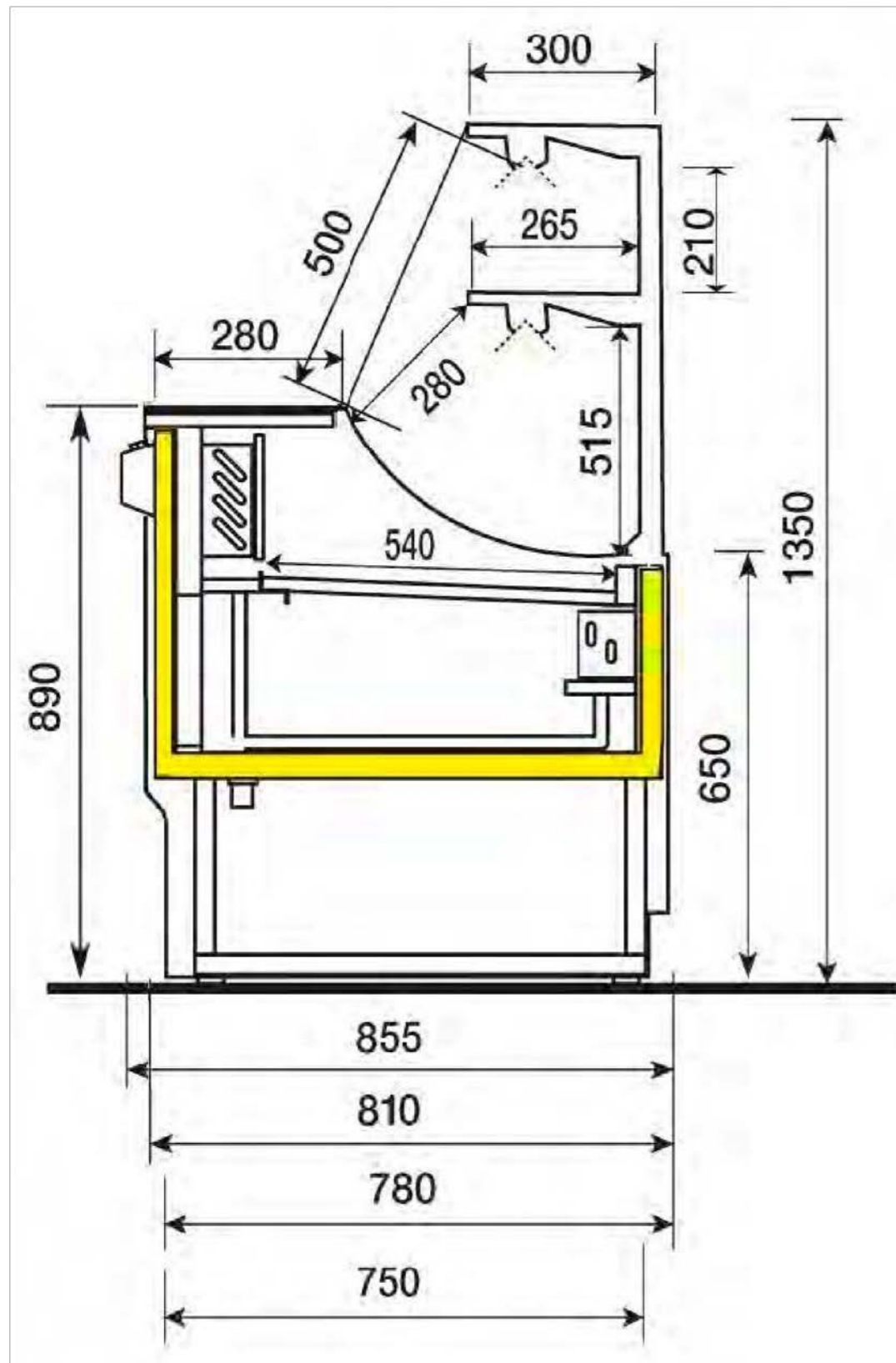


09/2021

Mod: OL150/B2-R/R2

Production code: OC150PSSG230H

OL150/B2-R/R2



MODELLO	LUNG. LENGTH LAENGE LONGUEUR	MOTORE COMPRESSOR KOMPRESSOR COMPRESSEUR	ILLUMINAZIONE LIGHTING BELEUCHTUNG ILLUMINATION	QUANTITA' GAS GAS QUANTITY GAS MENGE QUANTITE' DE GAS (KG.)	TIPO DI GAS KIND OF GAS GAS-TYP TIPE DE GAZ	HP	Potenza frigorifera Refrigeration power Kalteleistung Puissance frigorifique Watt (-10°C)	Watt assorbiti Watt absorbed Nennleistungsaufnahme Watts absorbés
	STATICO - STATISCH - STATIC - STATIQUE - ESTATICA							
ORLEANS PLUS	100	EMT6144U	2 x 14w	0,065	R 290	1/4 HP	338	193
	150	EMT6144U	2 x 28w	0,075	R 290	1/4 HP	338	193
	200	EMT6165U	2 x 35w	0,095	R 290	1/3 HP	484	274
	250	NEK6210U	4 x 21w	0,105	R 290	1/2 HP	690	373

S= ASPIRAZIONE - SUCTION - ASPIRATION - SAUG
D= MANDATA - DISCHARGE - DECHARGE - DRUCK