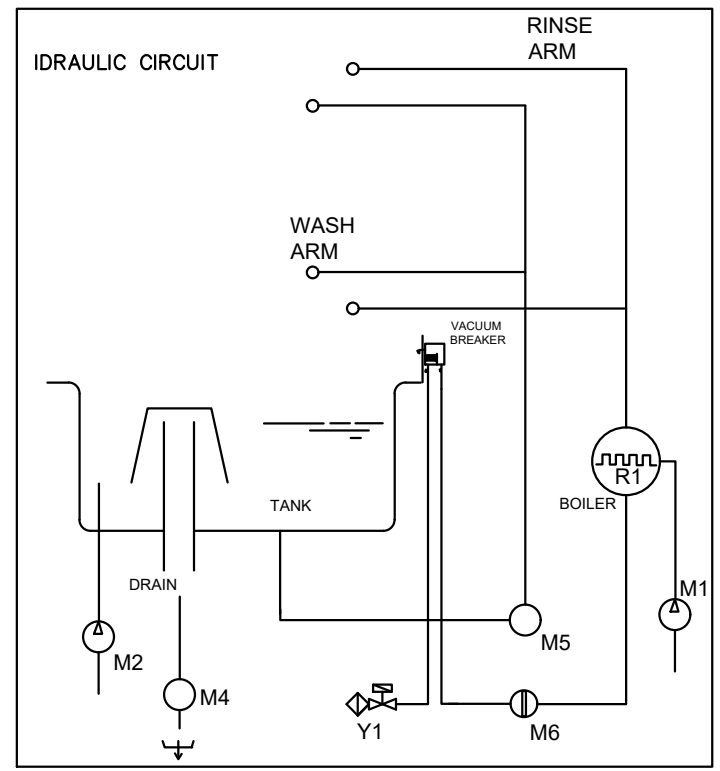
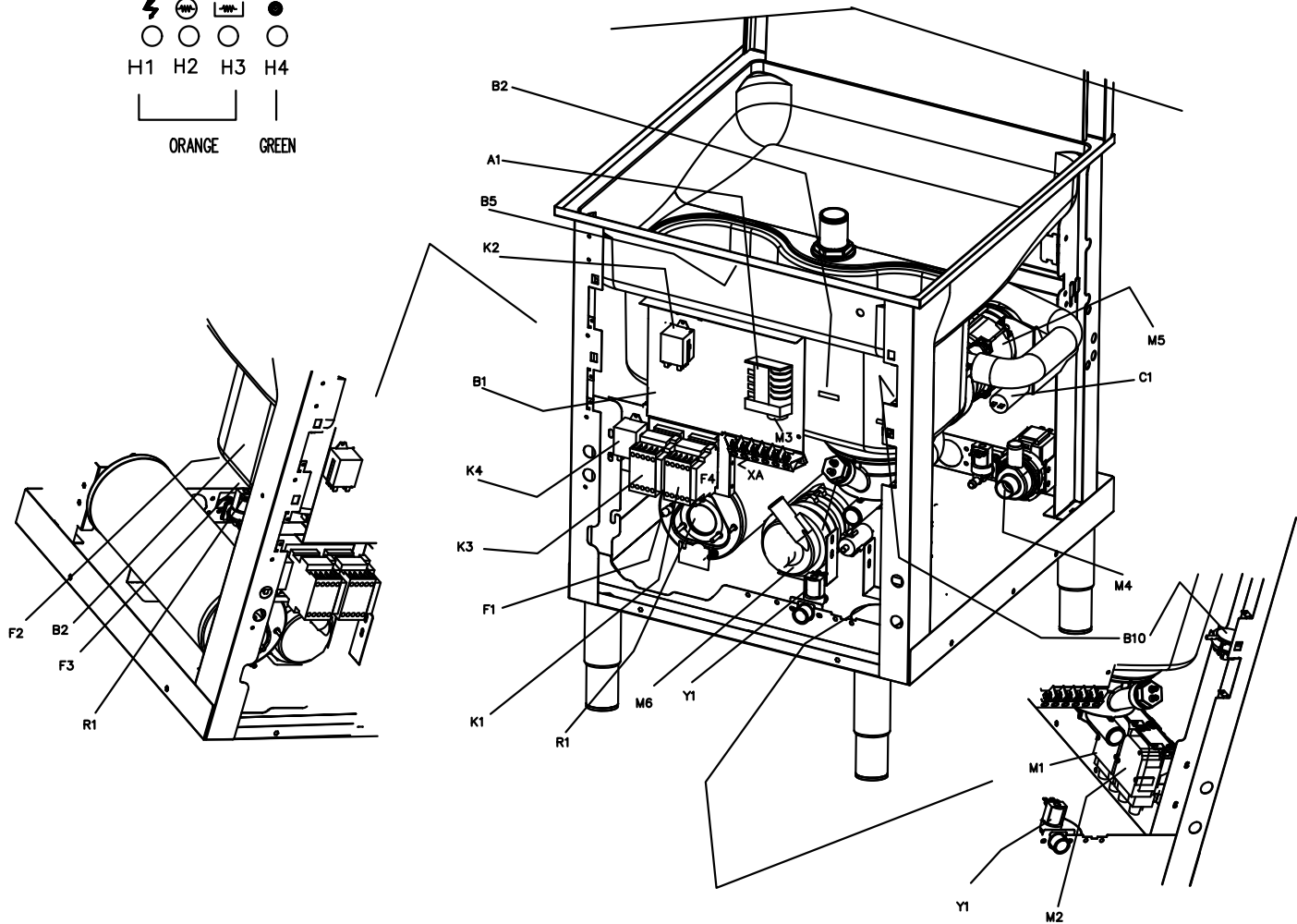
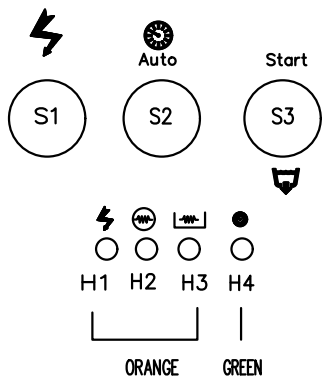


| | | |
|-------------|-------------|------|
| DESCRIZIONE | SOSTITUISCE | DATA |
| -3 | | |
| -2 | | |

| | | | | | |
|--------------|--|--------------|--|------------------------------|--|
| code Machine | | denomination | | Codice | |
| re-examined | | date/date | | 86060 | |
| | | 15/12/20 | | | |
| inspected by | | date | | n°/file mod | |
| | | | | 86060 -- | |
| validated by | | date/date | | total blat N° blat Next blat | |
| | | | | 4 1 -2 | |

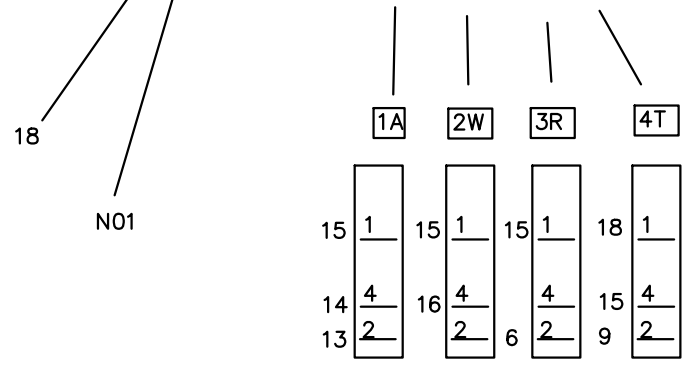
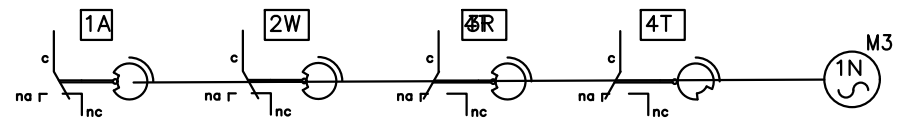
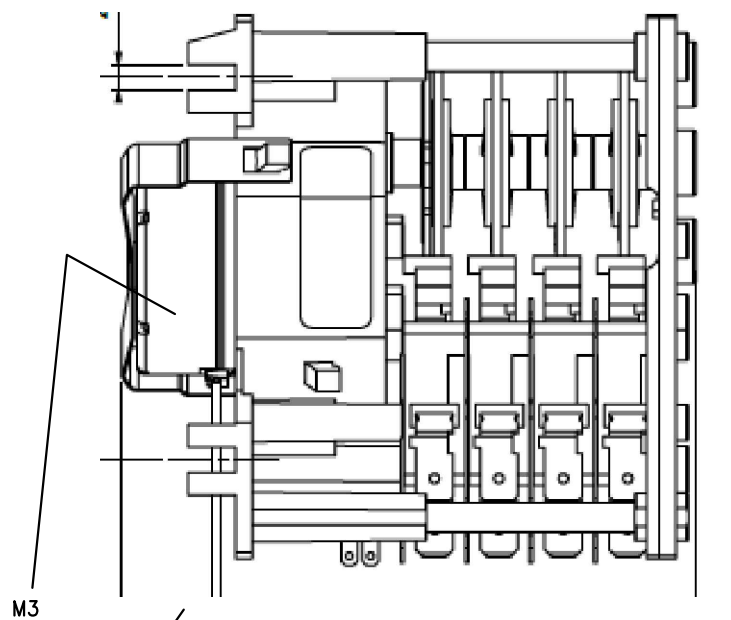
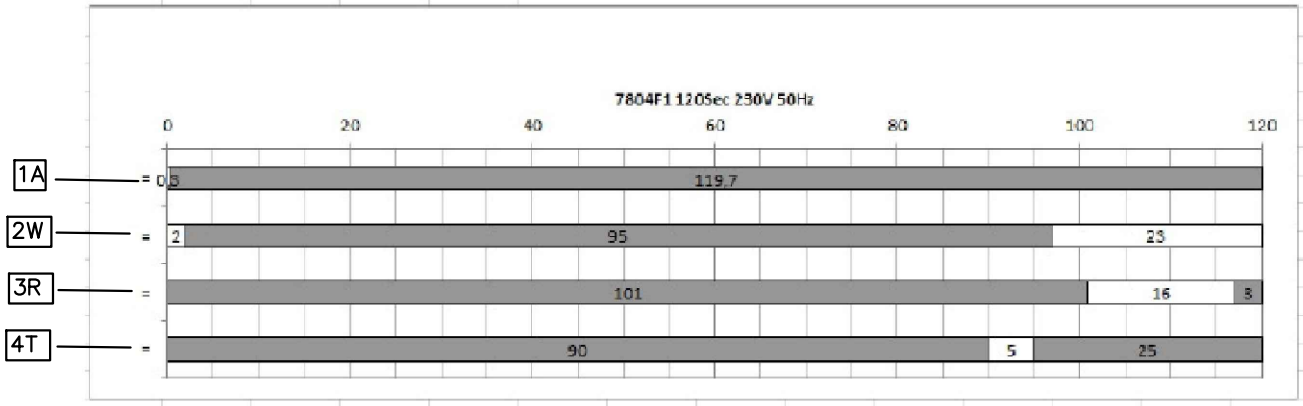


| DESCRIZIONE | SOSTITUISCE | DATA |
|-------------|-------------|------|
| | | |
| | | |

| re-examined | | denomination | | | Codice | |
|--------------|-----------|-----------------|---------|-----------|---------|-----|
| | date/date | WIRING DIAGRAMM | | | 86060 | |
| | 15/12/20 | | | | | |
| inspected by | | Dishwashers | | | n°/file | mod |
| | date | | | | 86060 | |
| validated by | | total blat | N° blat | Next blat | | |
| | date/date | 4 | 2 | -3 | | |

A1

TIMER 120 SEC



| DESCRIZIONE | SOSTITUISCE | DATA |
|-------------|-------------|------|
| | | |

| | | |
|--------------|--------------|--------------------------------------------|
| code Machine | denomination | Code |
| re-examined | date | WIRING DIAGRAMM ELECTROMECHANICAL TIMER |
| 15/12/20 | | |
| inspected by | date | Dishwashers |
| | | |
| validated by | date | n°/file |
| | | 86060 |
| | | mod |
| | | total blatt |
| | | 4 |
| | | N° blatt |
| | | 3 |
| | | Next blatt |
| | | -4 |

| | | | | |
|-------|----------------------------------------------------------------------------|-----------------------------------------------------------------|--|--|
| S1 | PULSANTE DI LINEA MAIN SWITCH | INTERRUPTEUR DE LIGNE NETZSCHALTER | | |
| B5 | MICROINTERRUTTORE MAGNETICO MAGNETIC SAFETY MICROSWITCH | MICROINTERRUPTEUR MAGNETIQUE MAGNETISCHER SICHERHITSSCHALTER | | |
| S3 | PULSANTE FUNZIONE SCARICO DRAIN SWITCH FUNCTION | | | |
| S2 | PULSANTE PARTENZA AUTOMATICA AUTOMATIC START PUSH BOTTON | | | |
| F1 | TERMOSTATO SICUREZZA BOILER SAFETY BOOSTER HEATER THERMOSTAT | THERMOSTAT DE SICURITE DU BOYLER SICHERHEITZUNG | | |
| F2 F3 | TERMOSTATO SICUREZZA VASCA SAFETY TANK HEATER THERMOSTAT | THERMOSTAT DE SICURITE CUVE SICHERHEITS- TANKTHERMOSTAT | | |
| R2 | RESISTENZA VASCA LAVAGGIO WASH TANK HEATING ELEMENT | RESISTANCE CUVE DE LAVAGE WASCHTANKHEIZUNG | | |
| R1 | RESISTENZA BOILER BOOSTER HEATER HEATING ELEMENT | RESISTANCE BOYLER BOILERHEIZUNG | | |
| M4 | ELETTROPOMPA DI SCARICO DRAIN PUMP | | | |
| M6 | ELETTROPOMPA AUMENTO PRESSIONE RINSE BOOSTER PUMP | ELECTROPOMPE AUGMENT PRESSION DRUCKSTEIGERUNGSPUMPE | | |
| M1/M2 | ELETTRODOSATORE DETERSIVO EL. DETERGENT INJECTOR | DOSEUR EL. DETERGENT SPUEL MITTELDOSIERGERAET | | |
| M5 | ELETTROPOMPA LAVAGGIO WASH ELECTRIC PUMP | ELECTROPOMPE LAVAGE ELEKTRISCHE UMAELZPUMPE | | |
| K1 | TELERUTTORE SICUREZZA RESISTENZA BOILER SAFETY BOOSTER HEATER CONTACTOR | CONTACTEUR RESISTANCE BOYLER LUFTSCHUETZ F. BOILERHEIZUNG | | |
| K2 | TELERUTTORE RESISTENZA BOILER BOOSTER HEATER CONTACTOR | CONTACTEUR RESISTANCE BOYLER LUFTSCHUETZ F. BOILERHEIZUNG | | |
| K2 | RELE AUSILIARIO AUXILIARY RELAY | REALIS AUXILIAIRE HILFESRELAIS | | |
| Y1 | ELETTROVALVOLA RISCIAQUO RINSE SOLENOID VALVE | ELECTROVANNE DE RINCAGE MAGNETVENT FUER NACHSPUELVUNG | | |
| F4 | FUSIBILE FEUSES | | | |
| B1 | TERMOSTATO RESISTENZA BOILER BOOSTER HEATER THERMOSTAT | THERMOSTAT RESISTANCE BOYLER BOILERHEIZUNG | | |
| B2 | TERMOSTATO RESISTENZA VASCA TANK HEATER THERMOSTAT | THERMOSTAT RESISTANCE DE CUVE THANKHEIZUNG THERMOSTAT | | |
| C1 | CONDESATORE CAPACITOUR | | | |
| B10 | PRESSOSTATO LIVELLO VASCA TANK PRESSURE SWITCH | PRESSOSTAT NIVEAU AIRGAP TANKDRUCKSCHALTER-NIVEAUREGLER | | |
| A1 | PROGRAMMATORE CYCLE TIMER | PROGRAMMATEUR CYCLAGE PROGRAMMSCHALTEWERK SPUEL PROGRAMM | | |
| SIMB. | DESCRIZIONE DESCRIPTION | DESCRIZIONE BESCHREIBUNG | | |

| | | | | | | |
|--------------|----------|-----------------|---------|-----------|---------|-----|
| code Machine | | denomination | | | Code | |
| re-examined | date | WIRING DIAGRAMM | | | 86060 | |
| | 15/12/20 | | | | | |
| inspected by | date | Dishwashers | | | n°/file | mod |
| validated by | date | total blat | N° blat | Next blat | 86060 | |
| | | 4 | 4 | | | |

| | | |
|-------------|-------------|------|
| DESCRIZIONE | SOSTITUISCE | DATA |
| | | |
| | | |