

MOD : L1621/VAD-SD4

Production code : DSLA2VLDX167

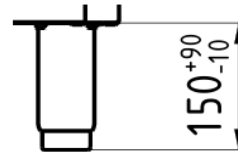
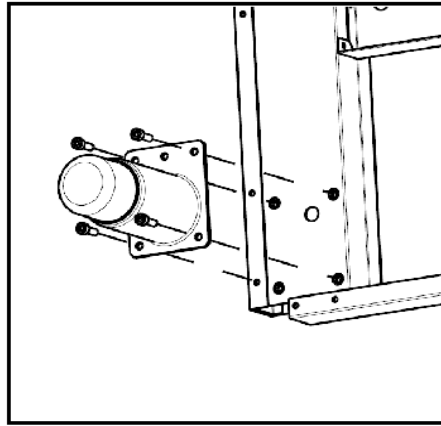
CABINET SINK

INSTALLATION INSTRUCTIONS

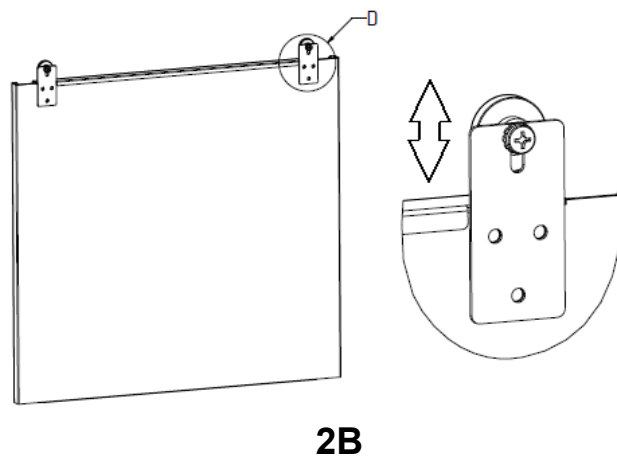
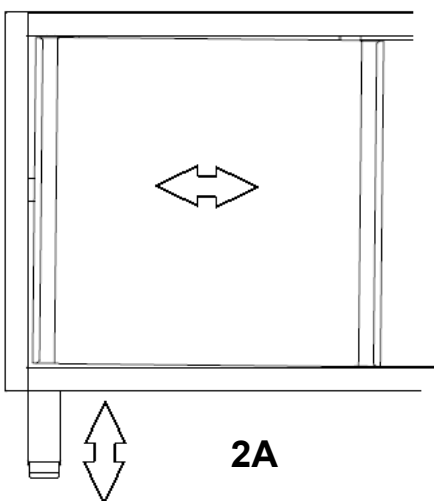
ENGLISH

Fig. 1**LEG ASSEMBLY**

Screw the leg to the sink (x4). The leg is adjustable in height, be sure to put the four feet flat.

**Fig. 2****INTERVENTIONS FOR THE ALIGNMENT OF THE DOORS**

Carefully adjust the height of the leg, also giving different adjustments until the doors are placed in line (2A) and adjust the height of the door bracket (2B) to obtain an optimal sliding of the doors.

**CLEANING**

ATTENTION!!! – NEVER USE DETERGENTS CONTAINING: SAND, CAUSTIC SODA, ACIDS OR CHLORIDES THAT MIGHT CORRODE THE SURFACE.

THE SURFACE MUST BE CLEANED BY USING A DAMP CLOTH WITH NON-ABRASIVE DETERGENT AND BY DRYING IT WITH A DRY CLOTH.