



MOD : RC102-SE7

Production code : DSRADRE10307DIA

Heated "Chef" shelf

INSTALLATION, USE AND MAINTENANCE MANUAL



INTRODUCTION

Dear customer, we thank you for choosing our product and we hope you will be satisfied.

1 INSTRUCTION

The following instruction manual is an integral part of the equipment and must be at the operators' disposal for advice until the end of the life cycle of the product.

Before carrying out any operations, carefully read the information contained in the manual about safe installation, use and maintenance.

The equipment is only intended for the use it has been designed for, by qualified and skilled personnel.

Installation, maintenance and repair operations must only be carried out by an authorized technical service centre or qualified personnel, in compliance with the regulations in force and according to the instructions provided by the manufacturer.

The equipment must be earthed in accordance with the safety regulations of the electrical system.

The plug to be connected to the power cable must be compliant with the regulations in force.

Do not block the openings, the heat ventilation and exhaust slits. Use the single top with heating at an ambient temperature between +5 °C and +35 °C. This appliance is intended for professional use and complies with the EC directives in force.

The appliance is used to keep dishes hot, therefore any other use is improper.

The Manufacturer refuses all responsibility for direct and indirect damage caused by improper installation, tampering with, inadequate maintenance, improper use and failure to comply with the regulations contained in the instruction manual.

2 INSTALLATION

2.1 ELECTRICAL CONNECTION

The electrical connection, single phase 220 – 230 V ~ 50/60 Hz, must be carried out by qualified personnel in compliance with the European regulations in force.

The single top with heating is supplied with electric cable and with/or without plug. If a plug is applied, it must be compatible with the maximum power of the single top. It is recommended to have the installation done by a qualified

electrician, in compliance with the regulations in force.

Attention!!! – A bipolar safety switch must be set upstream of the heated cabinet.

Attention!!! – The equipment must be earthed properly according to the safety regulations of the electrical system.

2.1 OPERATION

Attention!!! – Before switching of the heated cabinet must be removed the protective film used to protect the table.

Once the heated cabinet has been installed the ignition foresees the position of the red switch in position I, for switching off bring the same button to position O.

3 MAINTENANCE

Attention!!! – Before carrying out any maintenance operations, turn off the current by using the appropriate switch or disconnecting the plug.

Attention!!! – Any maintenance operation must be carried out by qualified personnel only.

Attention!!! – When removing any part, handle them with great attention by using gloves to protect hands from possible cuts and burns.

3.1 DISASSEMBLING ELECTRICAL RESISTENCE

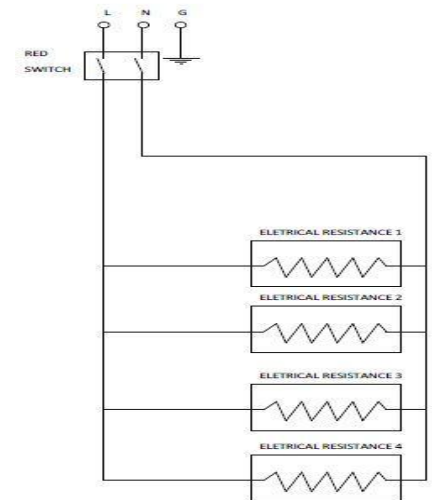
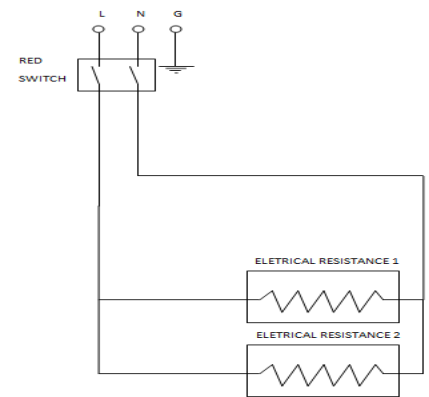
To disassemble the electrical resistances, remove the slotted protection first and then the resistances and position them back in accordance with the wiring diagram on page 2 – Fig. 1.

3.2 SPARE PARTS

It is possible to use original or authorized spare parts only. Do not repair or replace any components of the product that have not been recommended by this manual. All the other interventions must be carried out by authorized technical personnel. To ask for a spare part, indicate the model specified on the label.

The spare parts that can be supplied are the following:

- I. Electrical Resistances
- II. ON/OFF switch



4 CLEANING

Attention!!! – Never use detergents containing: sand, caustic soda, acids or chlorides that might corrode the surface.

Attention!!! – Carry out any cleaning operation cutting off the power supply first.

The single top with heating must be cleaned by using a damp cloth with non-abrasive detergent and drying the surfaces with a dry cloth.