



MOD : LKS/XC

Production code : CR1697810

04/2026

Technical data sheet

HIGH SPEED OVEN - STANDARD VERSION (STEEL)



Features



HIGH SPEED OVEN

An operating mode that simultaneously uses convection, microwave and impingement modes, with temperatures from 100°C to 280°C.



FAST COOKING SYSTEM

Rely on our know-how with automatic, tried-and-tested recipes for high-speed cooking in High Speed Oven mode.



OOS - ORACLE ODORLESS SYSTEM

A labyrinth baffle catalyst filter containing platinum particles which help to reduce steam, odours and grease residue during cooking. The Oracle Odorless System does not require any cleaning or routine maintenance work. Its efficiency is always guaranteed.



COMBI WAVE

In Combi Wave mode, the high speed oven can be used as a convection oven with temperatures from 30°C to 280°C, as a microwave oven with power up to 2000 W or with a combination of the two cooking methods to achieve results that always exceed expectations.



MICROWAVE COOKING SYSTEM

Rely on our know-how by using the automatic, tried-and-tested recipes for cooking in Combi Wave mode.



CONNECTED

With standard Wi-Fi or optional Ethernet, Oracle connects free of charge to Lainox's Nabook plus portal to provide you with a 4.0 kitchen (learn more at nabookplus.cloud).

Capacity

Capacity 17,3 lt.

Dimensions

Width	mm	356	inch	14.0
Depth	mm	588	inch	23.1
Height	mm	580	inch	22.8
Maximum outer width	mm	356	inch	14.0
Max exterior depth	mm	636	inch	25.0
Maximum exterior height	mm	580	inch	22.8
Packaging width	mm	460	inch	18.1
Packing depth	mm	750	inch	29.5
Packaging height	mm	744	inch	29.3
Net weight	kg	40	lbs	88.2
Gross weight	kg	48	lbs	105.8
Volume	m ³	0.12	ft ³	4.2
Packing volume	m ³	0.28	ft ³	9.9
Cooking compartment width	mm	306	inch	12.0
Cooking compartment depth	mm	322	inch	12.7
Cooking chamber height	mm	176	inch	6.9
Support base width	mm	351	inch	13.8
Support base depth	mm	480	inch	18.9
Power plug configuration	CEE 7 / 7 Schuko			
Cable length	m	2	ft	6.56

Technical Data

High Speed Oven temperature	°C	100 / 280	°F	NaN
Temperatura Combi Wave	°C	30 / 280	°F	NaN

Power supply

Power supply voltage	1N-AC 230 V		
Electrical absorption	A	16	
Frequency	Hz	50	
Total electric power	kW	3,6	
Microwave	kW	1	
Impingement	kW	2,8	

Emissions

Latent heat	W	435
Sensitive heat	W	271
Noisiness	db	< 70

OPTIONAL ELECTRIC CONFIGURATION, WITHOUT EXTRA CHARGE - TO BE REQUESTED WHEN ORDERING

Option code	Connection plug (Plug provided)	Cable length (Provided - mt.)	Power supply voltage	Frequency Hz	Total electric power		Power output - kW		Country
					kW	A	Impingement	Microwave	
OR3092	IEC 309	2	1N-AC 230 V	50	3,6	16	2,8	1	EU
OR1240	Not included	2	1N-AC 240 V	60	3,6	16	2,8	1	KSA/KO/LATAM
OR1363	BS1363/A	2	1N-AC 230 V	50	2,8	13	2,8	1	UK
OR53112	A53112	2	1N-AC 230 V	50	3,3	15	2,8	1	AUS
OR1208	Not included	2	1N-AC 208 V	60	3,6	16	2,8	1	LATAM

HOW TO USE

- Combi Wave. - MCS (Microwave Cooking System) automatic cooking system for Italian and international recipes, including the history, ingredients, cooking accessories, procedure and automatic cooking program. - Manual mode with three instant start cooking methods: convection, microwave or combined convection + microwave.
- High Speed Oven. - FCS (Fast Cooking System) automatic cooking system for Italian and international recipes, including the history, ingredients, cooking accessories, method and automatic cooking program. - Manual mode with instant start.
- Programmable mode: possibility of programming and storing a recipe with its cooking procedures in automatic sequence.

CONNECTIVITY

- Nabook Plus - Thanks to the Cloud feature, it is possible to access Nabook Plus, the virtual kitchen assistant (read more on nabookplus.cloud, free registration).
- Direct access to the recipe database with download option (patented).
- Synchronisation of multiple Oracle ovens connected to the same account (patented).
- HACCP Monitoring.
- Remote diagnosis through the Nabook plus portal by the LAINOX Service Center.
- Possibility to download recipes from the Nabook Plus portal based on country.
- Possibility to run automatic software updates on multiple devices simultaneously.
- Wi-Fi connection. Compatible with IEEE 802.11g (2.4 GHz) standard.
- Recipe creation including ingredients with procedure and photo.
- Automatic software update notification system.

CONTROL MECHANISMS

- USB connection to download HACCP data, update software and upload/download cooking recipes.
- Possibility of choosing the fan speed.
- Automatic fan speed for High Speed Oven mode.

STRUCTURAL CHARACTERISTICS

- Pull-down door with ergonomic handle.
- Integrated catalyst filter for operation without hood.

OPERATION

- User interface with a choice of 29 languages.
- High-definition 7-inch capacitive LCD color screen with choice of "Touch Screen" functions.
- Organisation of recipes in folders with preview, giving each folder its own name.
- Display that can be configured based on the needs of the user, bringing forward the programmes used most.
- Oracle coach. Virtual assistant that provides advice on using and informs when maintenance is needed.
- There are about 30 recipes available in Oracle and a growing number of alternative ones are available via access to the Nabook plus portal. Each recipe has been tested to guarantee best results.
- Rapid cooling of the cooking chamber with open door.
- Starting an automatic "One Touch" cooking.

SAFETY FEATURES

- Self-diagnosis with smart error viewing.
- Max 65°C external temperature on the door panel.
- Door open/closed electronic sensor.
- Compliant with the IEC60335-1, IEC60335-2-90 and EMC international standards.

CLEANING AND MAINTENANCE

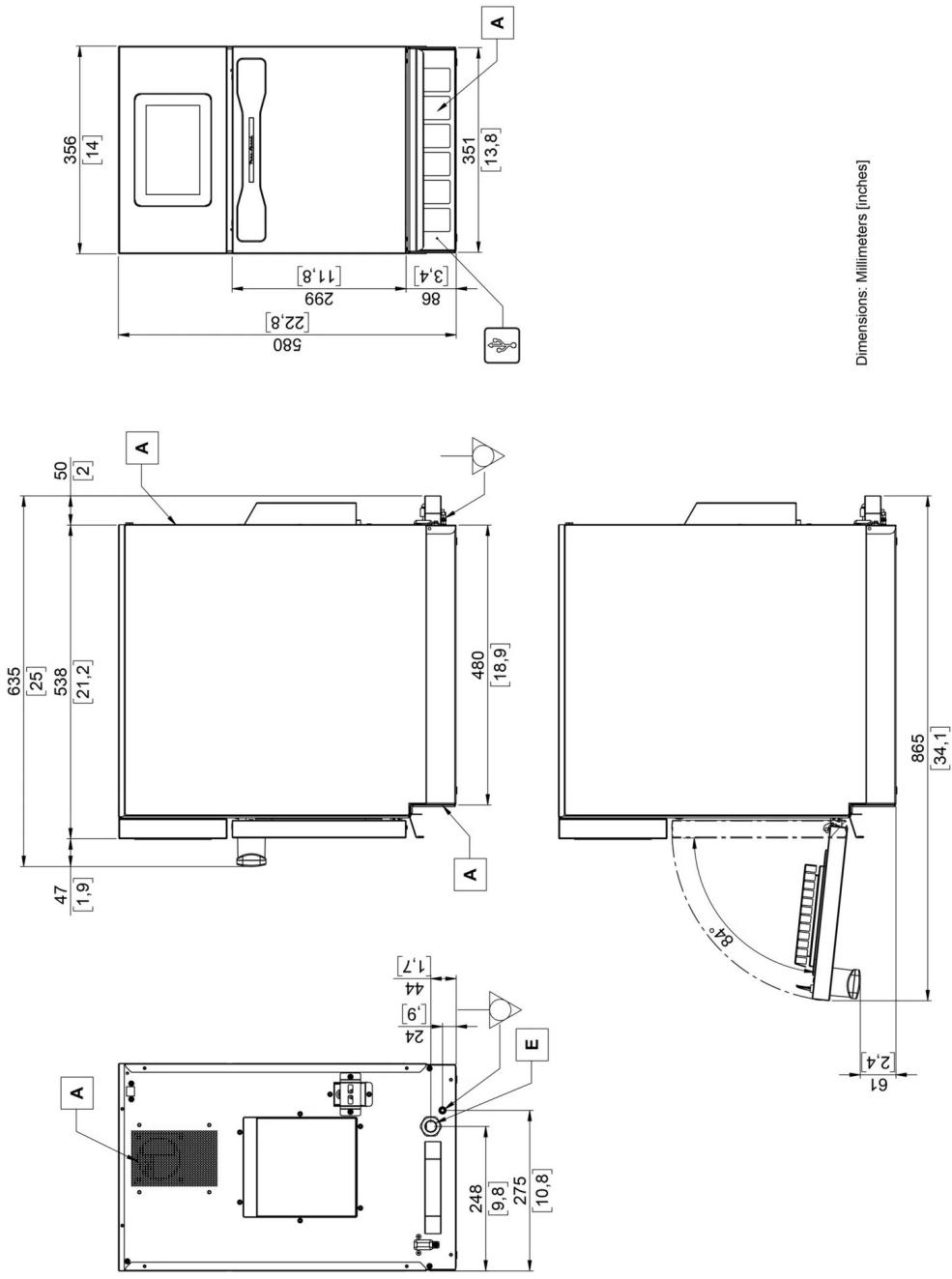
- Easy external cleaning thanks to the perfectly smooth surfaces and IPX3 protection rating against water spray.
- OWB - Oracle Washable Box. special removable and washable box chamber.

INSTALLATION AND ENVIRONMENT

- 100% recyclable packaging.
- Product recycling rate: 90%.
- Quality ISO 9001 / Safety ISO 45001 / Environmental ISO 14001 certification.

STANDARD EQUIPMENT

- Electric plug
- Power cable - 2 m
- Anodized aluminum alloy plate
- Adhesive lining for the inside of the door
- USB connection
- Wi-Fi connection. Compatible with IEEE 802.11g (2.4GHz) standard



Dimensions: Millimeters [inches]

The data reported in this document is to be considered non-binding. The company reserves the right to make changes at any time, without prior notice