



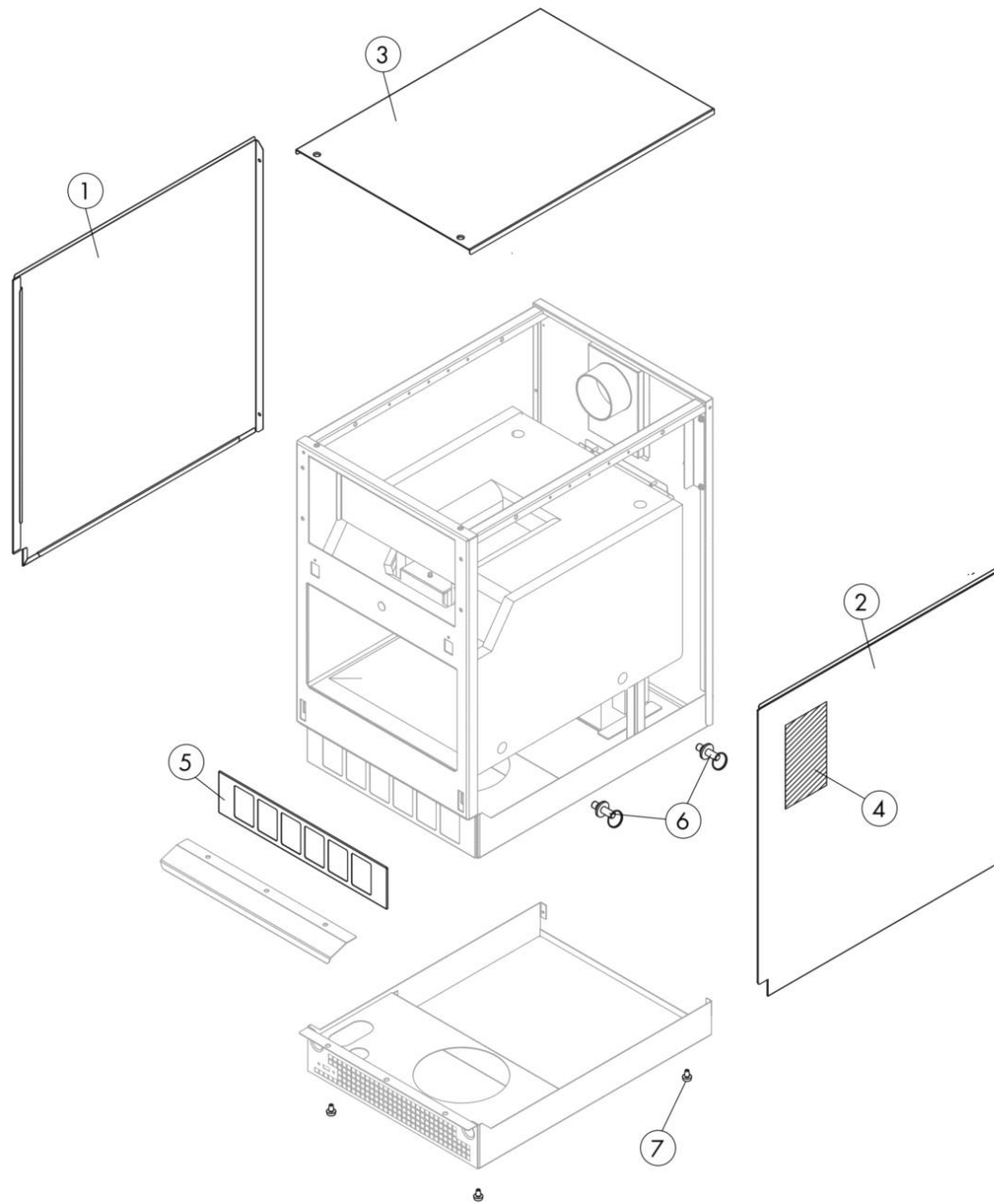
MOD : LKS/XC

Production code : CR1697810

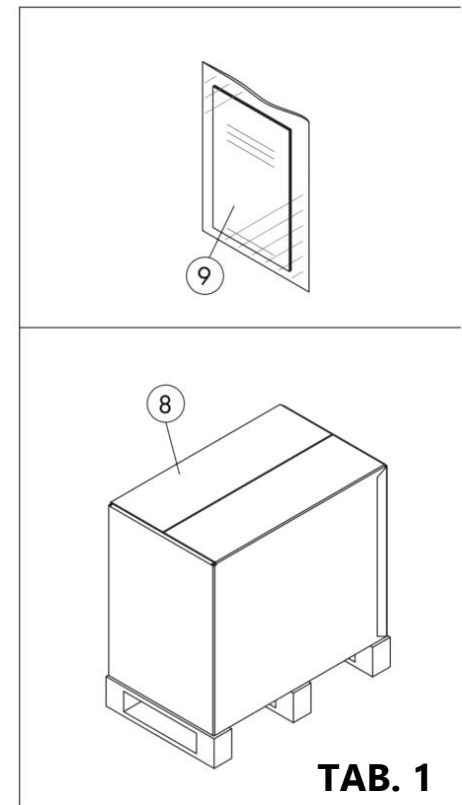
Jet engine compressor drawings

Creative
MARKET

04/2026

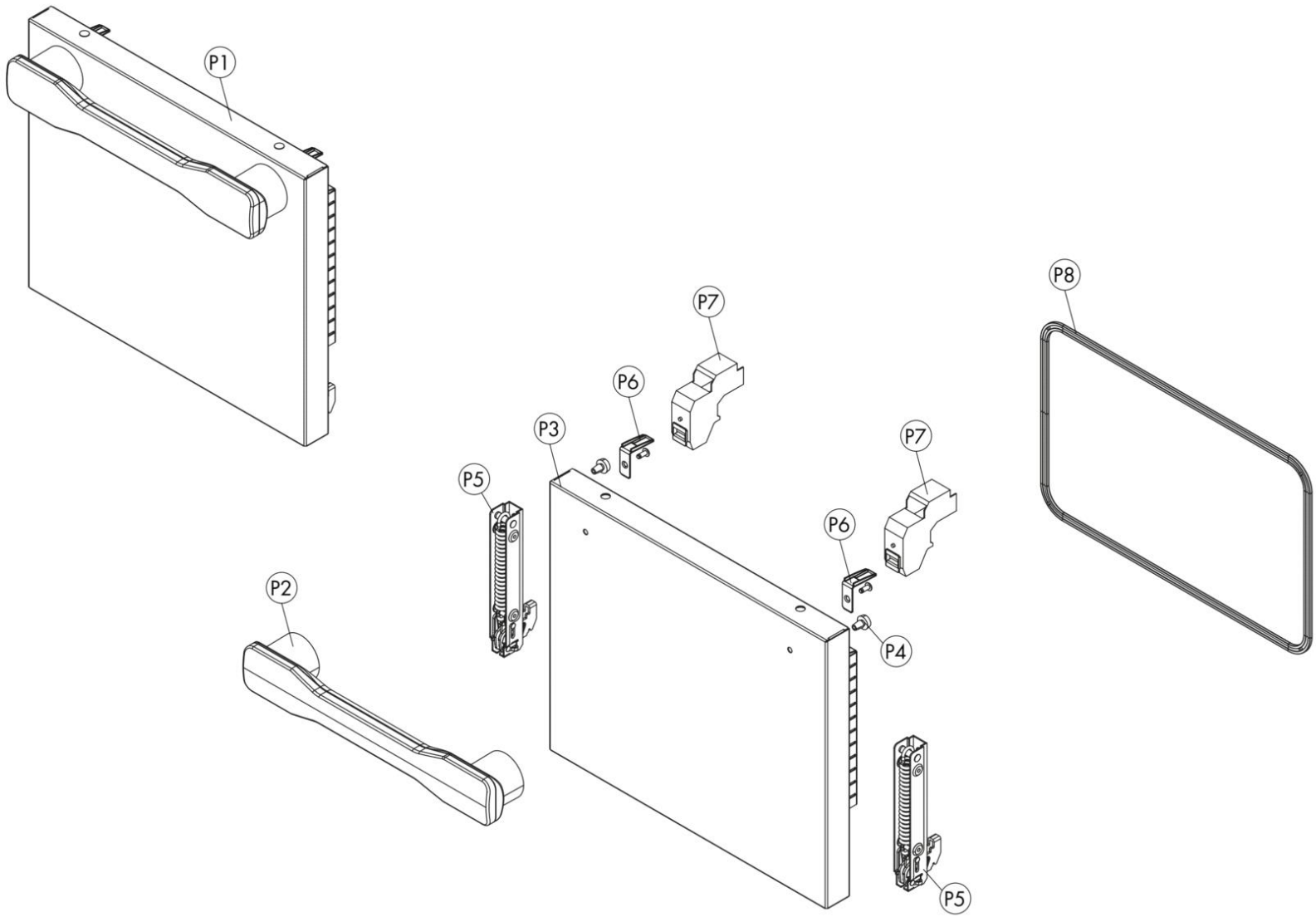


Warning! The exploded views refer to the general model



TAB. 1

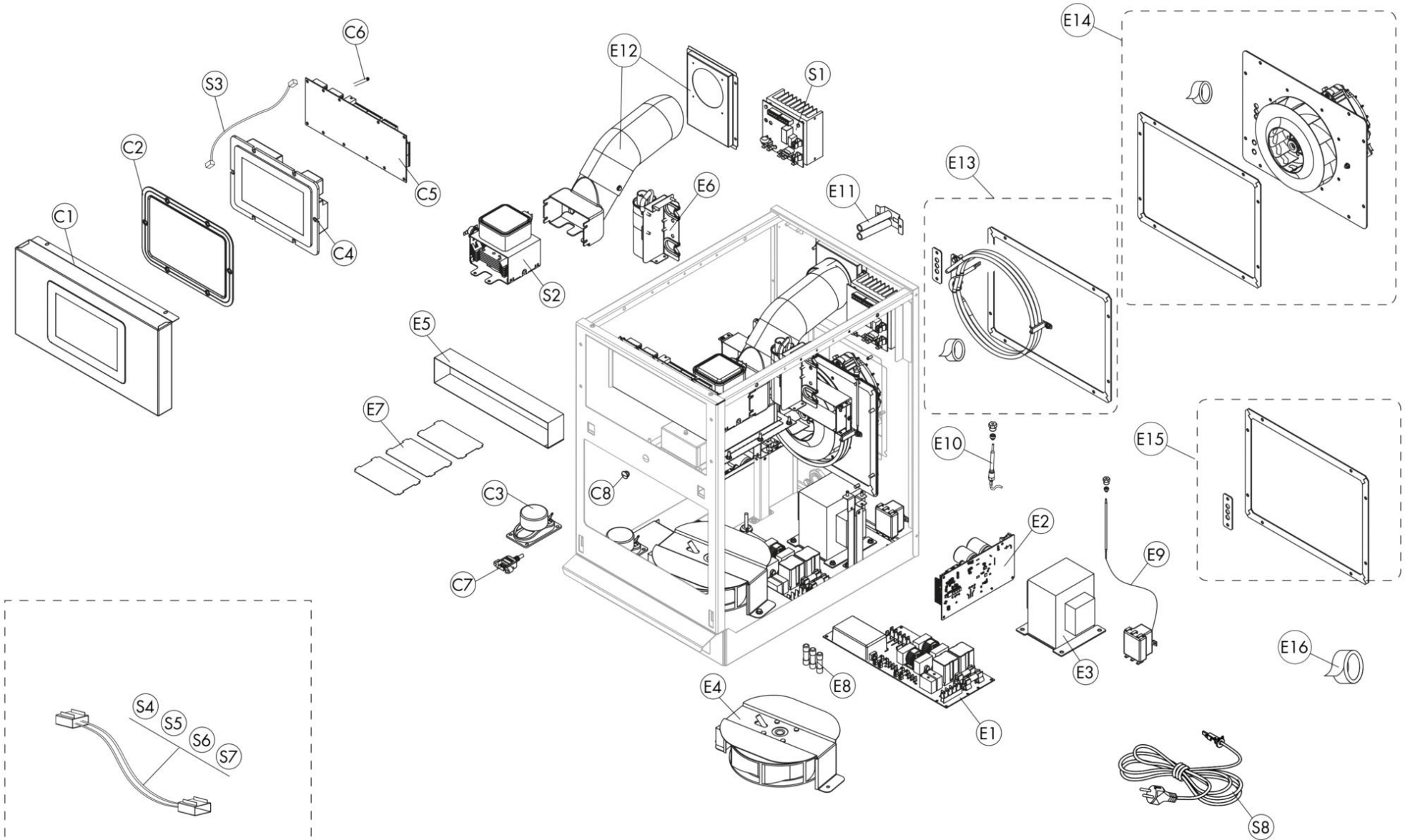
Pos.	Code	Previous code	Description
0001	LA19433770		FIANCO SX AISI430SB ORXS
0002	LA19433760		FIANCO DX AISI430SB ORXS
0003	LA19433070		COPERCHIO AISI430SB ORXS
0004	LAR19201940		KIT ADESIVI ORXS
0005	LA19221560		ASS.FILTRO ARIA RAFFR.ETL ORXS
0006	LAR19433810		KIT SUPPORTO PIANO H21 PTFE ORXS
0007	LA69700540		PIEDINO ø13.4 H4.6 ESSENTRA POF-50185
0008	LAR19120760		KIT IMBALLO ORXS
0009	LA19201950		KIT MANUALE/ADESIVI ORXS



Warning! The exploded views refer to the general model

TAB. 2

Pos.	Code	Previous code	Description
00P1	LA19101660		PREM.PORTA LAINOX S/LOGO INOX ORXS
00P2	LA19221150		ASS.MANIGLIA PURE SPEED ORXS
00P3	LA19221720		ASS.FRONTALE PORTA 430 SB ORXS
00P4	LA69700540		PIEDINO ø13.4 H4.6 ESSENTRA POF-50185
00P5	LAR19201810		KIT CERNIERA ORXS
00P6	LAR19431320		KIT DOOR LATCH MICROFUSION ORXS
00P7	LA65260890		INTERLOCK CFB055 ROLD
00P8	LA19221940		GUARNIZIONE PORTA 8x4 ORXS



Warning! The exploded views refer to the general model

TAB. 3

Pos.	Code	Previous code	Description
00C1	LAR19221850		KIT CRUSCOTTO NERO LAINOX ORXS
00C2	LA70700091		GUARNIZ.VETRO SCHEDA DISPLAY 7 COE 2025
00C3	LAR65330090O		CASSA ACUSTICA VISATON ORXS
00C4	LAR65304570		SCHEDA DISPLAY ORXS ORXL ORM
00C5	LAR19101850		KIT SCHEDA BASE DEP.ORXS
00C6	LA65280290		NTC B57881S 3460K 10 KOHM
00C7	LAR65302600O		KIT CAVO COLL.SCHEDA/PRESA USB 90° L=850
00C8	LA69700570		TAPPO PER FORO ø9.5 NERO 0231AA01
00E1	LAR19221320		KIT SCHEDA ALIMENTAZIONE ORXS
00E2	LA65141160		INVERTER 350W FIR
00E3	LAR65187400		KIT TRASFORMATORE HV 50HZ ORXS
00E3	LAR65187410		KIT TRASFORMATORE HV 60HZ ORXS
00E4	LA19202010		ASS.VENT.RAFFR.Ø175 WG ORXS
00E5	LA19433310		FILTRO CATALIZZATORE ORXS
00E6	LAR19101770		KIT COND.HV 60HZ ORXS
00E6	LAR19120690		KIT COND.HV 50HZ ORXS
00E7	LA19432561		COPERT.GUIDA ONDA 5.0 MUSCOVITE OR
00E8	LAR19101840		KIT FUSIBILI ORXS
00E9	LAR65070600		KIT TERMOSTATO SICUR.Ø3 20A 400V UL ORXS
00S1	LAR65304430		KIT SCHEDA ESP.MAGNETRON ORXS
00S2	LAR19101650		KIT MAGNETRON ORXS
00S3	LA65304340		CAVO ETH 5E/6 UTP SLIM AWG32 1M 1X90°BAS
00S4	LA66142131		CABLAGGIO MOTORE+INVERTER FIR ORXS@
00S5	LA66142120		CABLAGGIO SCHEDE ORXS
00S6	LA66142110		CABLAGGIO POTENZA+HV ORXS@
00S7	LA66142101		CABLAGGIO AUSILIARI ORXS
00S8	LAR79012370		KIT CAVO ALIMENTAZIONE ORXS
0E10	LAR19101830		KIT SONDA K 6X80 0,8ML TESTA RAST.ORXS
0E11	LAR19433800		KIT FLANGIA USCITA VAP.ORXS
0E12	LAR19434040		KIT CONV.USCITA ARIA ORXS
0E13	LAR19101820		KIT RESISTENZA 2800W 230V ORXS
0E13	LAR19101980		KIT RESISTENZA 2200W 230V ORXS
0E13	LAR19101990		KIT RESISTENZA 2800W 208V ORXS
0E14	LAR19221800		KIT VENTILATORE MOT.GIRANTE ORXS
0E15	LAR19120530		KIT GUARNIZIONE CAMERA-VENT.ORXS
Pos.	Code	Previous code	Description
0E16	LA85010220		NASTRO ADESIVO ISOLANTE 3M-27 50MMX4,5M