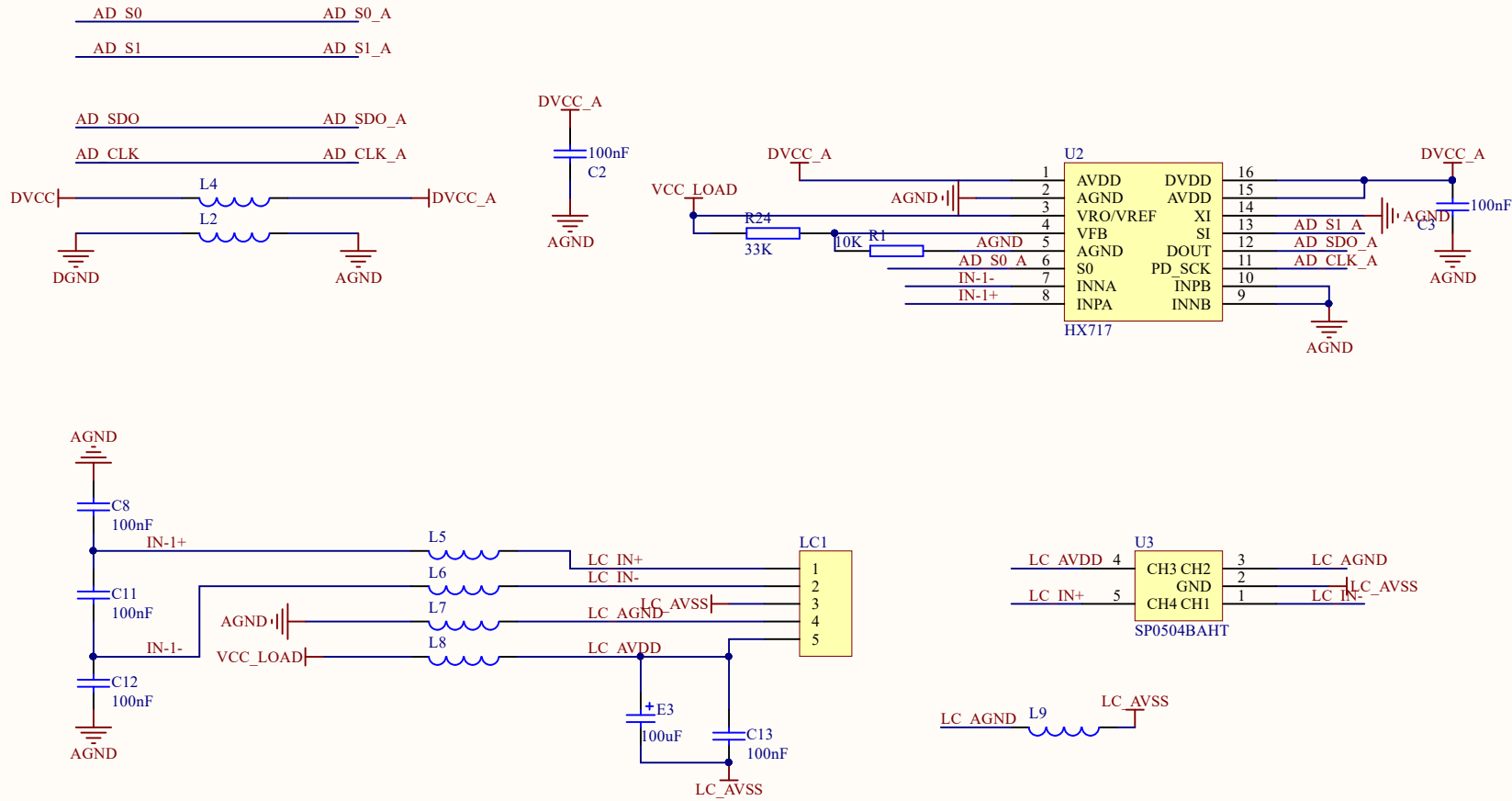




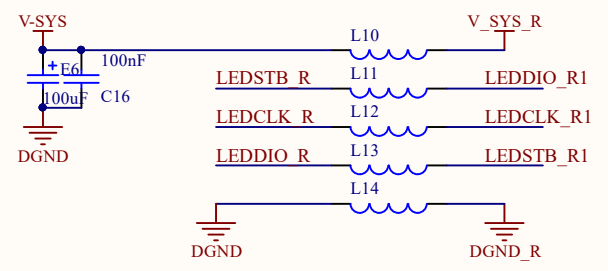
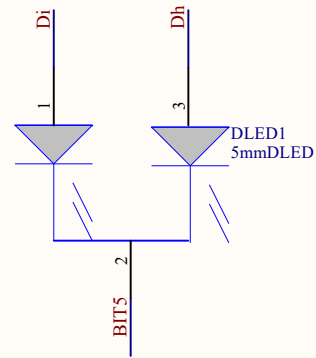
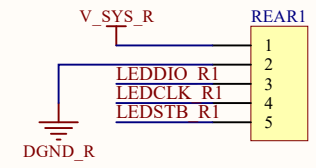
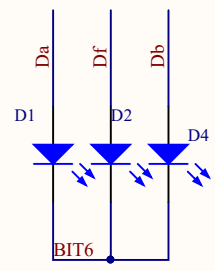
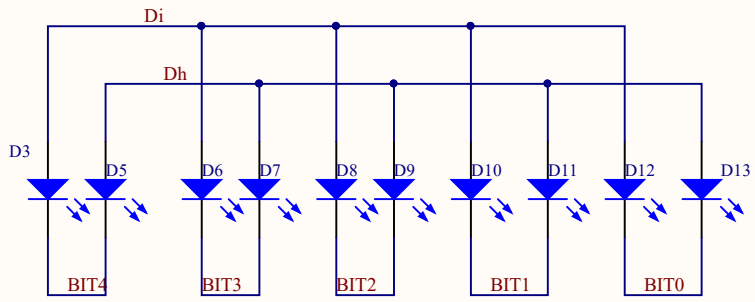
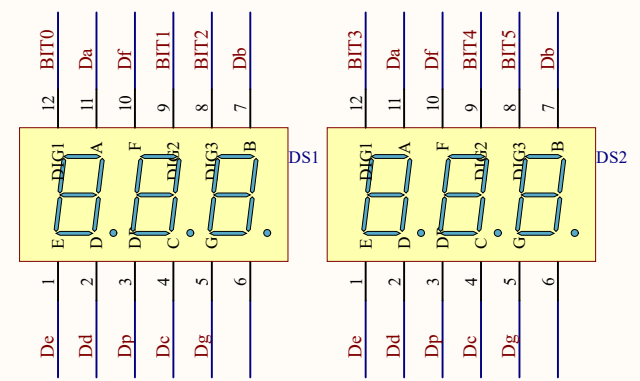
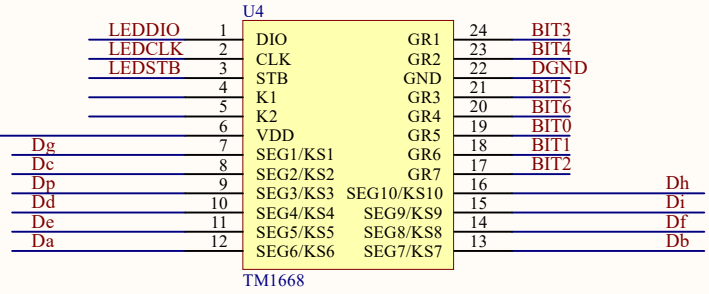
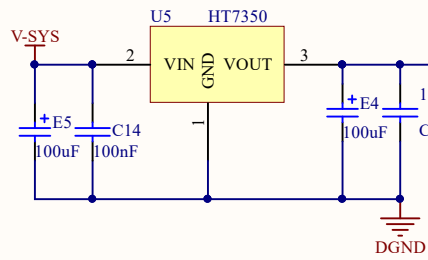
MOD : BAL/30-5

Production code : ABW 30

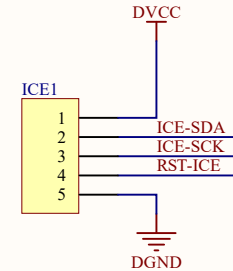
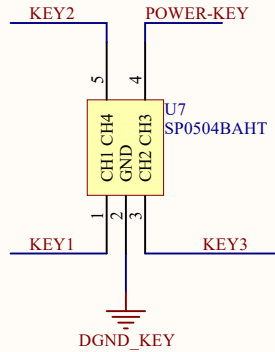
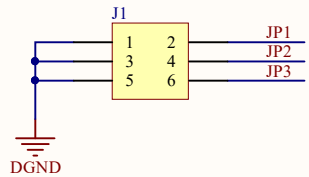
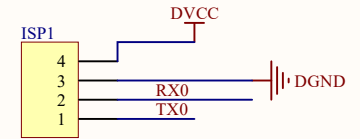
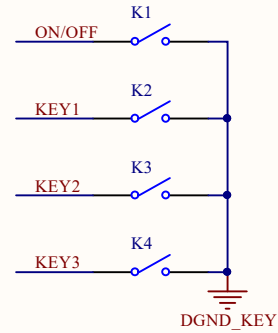
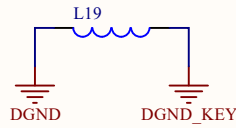
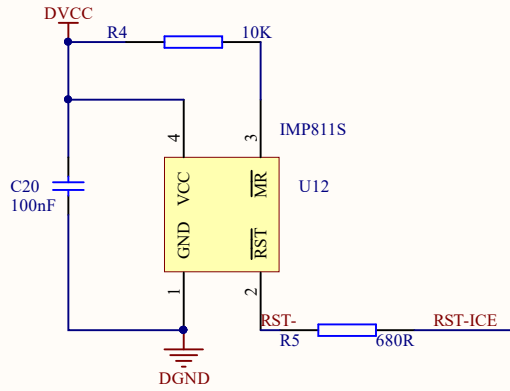
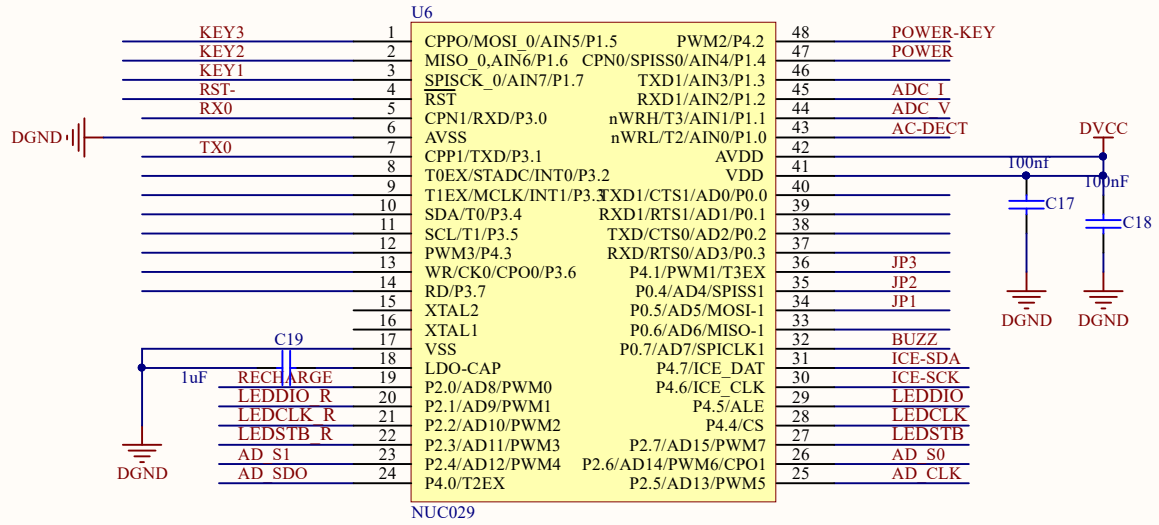
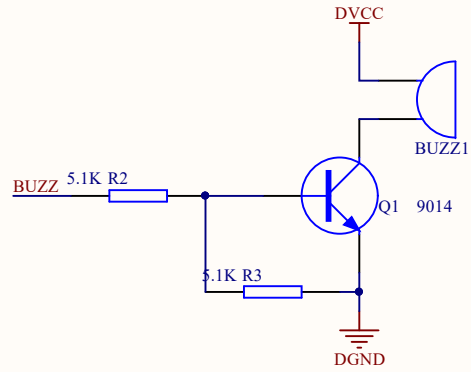
04/2026



Title		
Size	Number	Revision
A4		
Date:	2026/3/6	Sheet of
File:	E:\work2025\...\adc.SchDoc	Drawn By:



Title		
Size A4	Number	Revision
Date: 2026/3/6	Sheet of	
File: E:\work2025\...\display.SchDoc	Drawn By:	



Title		
Size	Number	Revision
A4		
Date:	2026/3/6	Sheet of
File:	E:\work2025\main.SchDoc	Drawn By:

