



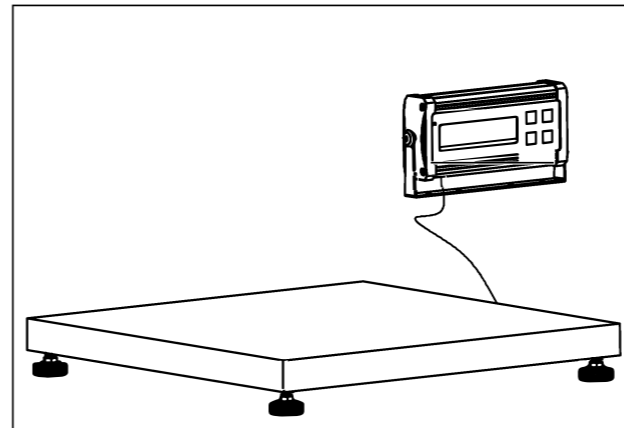
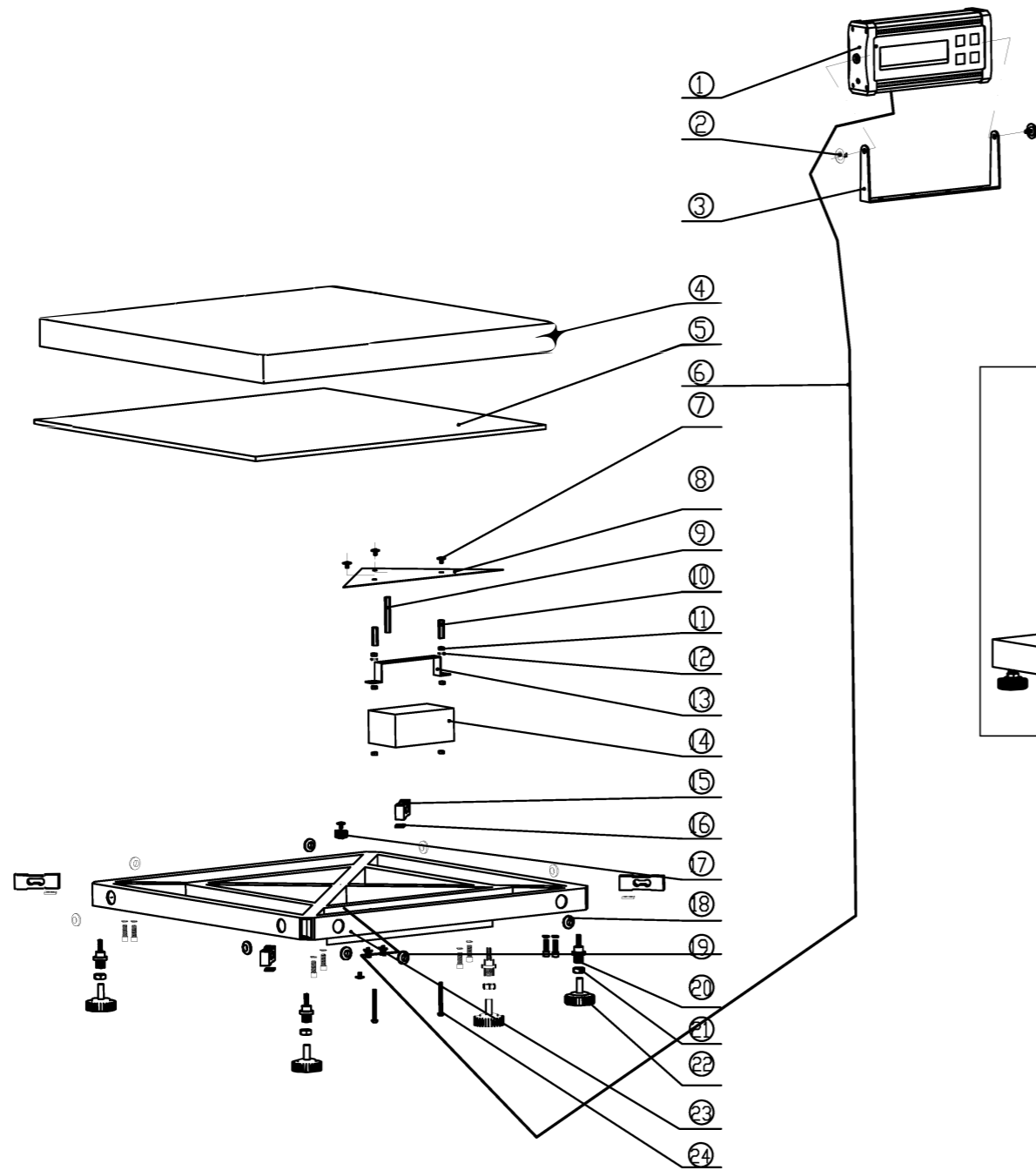
MOD : BSC5/150-5

Production code : CPWplus 150M

Jet engine compressor drawings

Creative
MARKET

03/2026



24	Semi-circle cross screw 4x40	JB13440	2	A3	M4*40
23	Bracket 492x492	JJ1071 8	1	A3	492*492*30
22	Foot M8x20	JS32531	4	RUBBER	M8*20*Ø40*16
21	Nut M8	JB60208	4	A3	M8*6
20	Connector between load cell and foot	JJ10211	4	45#	Ø18*M12*M5
19	Cable ring D10	JS32534	4	RUBBER	D10
18	Cable ring D18	JS32535	8	RUBBER	D18
17	Anti-static spring D16x13 (Ø0.8)	JJ10901	1	A3	D16x13 (Ø0.8)
16	Load cell mat	JJ10221	4	A3	20*10*2
15	Load cell		4	AL	56*10*18
14	Battery 6V/4AH	DY21000	1		101*70*47
13	Battery steel platter	JJ19213	1	A3	134*20*10*1.0t
12	Spring mat Ø4	JB71004	2	A3	Ø4*1
11	Nut M4	JB60004	6	A3	M4*2.5
10	Battery cover support (8x13)	JJ10217	2	A3	8*13
9	Battery cover support (8x48)	JJ10218	1	A3	8*48
8	Battery cover	JJ10219	1	A3	202*154*1.5
7	Screw 4x6x9	JB13953	5	A3	M4*6
6	8pin wire (Ø5L=1.6M)	DQ89050B	1	PVC	Ø5*1600
5	EVA pan mat 497x497x6	BD01003	1	EVA	497*497*6
4	SS pan 500x500x37	JJ10042	1	SS	500*500*37
3	Bracket FH-58	JJ50031	1	SS	225*100*15
2	Screw (big)	JS35011	2	ABS	Ø28.5*8*M4*10
1	Dual display aluminium alloy indicator		1	AL	219*98*43
s/n	item	part number	QTY	material	size

				Name:					
				Exploded view					
	QTY	signature	date	part number:		projection	grade mark	PCS.	proportion
design				material:		third angle			form
				tolerance: *-- key dimension		projection			
				see the data sheet below for other		page:	version: 1.		
				dimension tolerance		route: ---			
tolerance	dimL (R) (MM)	>0.5-6	>6-30	>30-120	>120-400	>400-1000	>1000-2000	>2000-4000	
		±0.1	±0.3	±0.5	±0.7	±1	±1.2	±2	