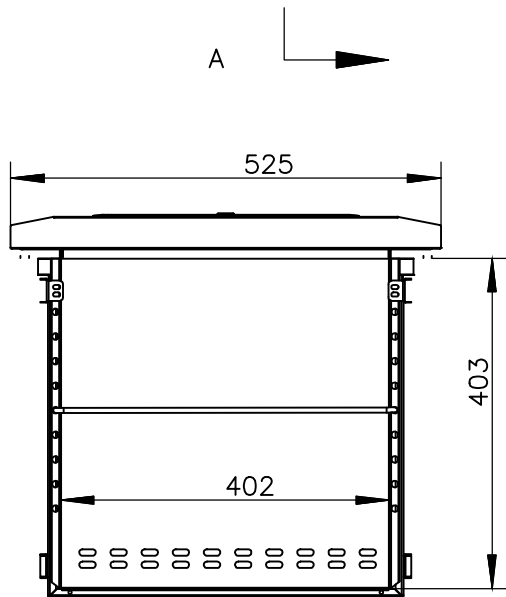
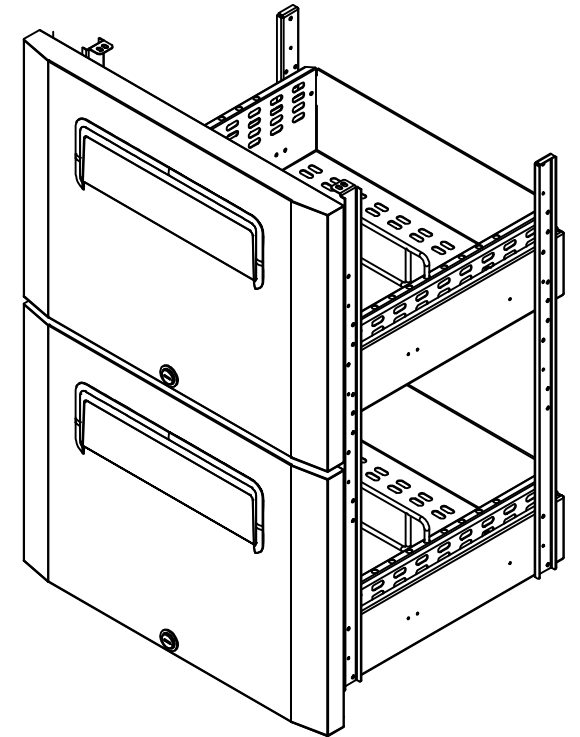
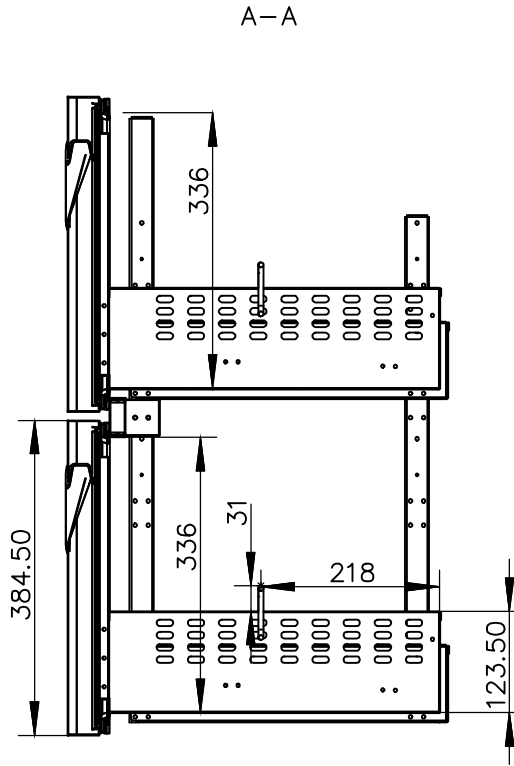
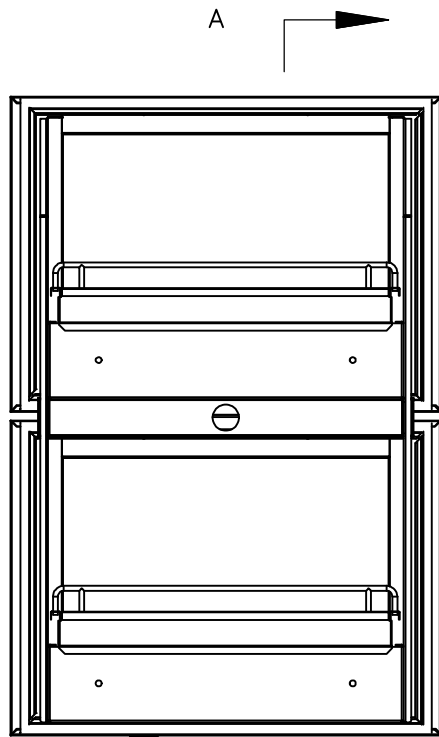



MOD : L2P

Production code : QB-2D



DATE:2018/08/01		VERSION: A0		DESIGN BY:Alberto	
		SCALE	MODEL	Q.Ty	REMARKS:
		1:1	QB 2100 QB 3100 QB 4100		
MATERIAL: S6		RLB (Solid Door) - DRAWER SET 1/2 + 1/2			
DESIGN BY:Camilla		CATEGORY	TYPE	GROUP	PART N°
APPROVED BY:Alberto		DW	B4	5	1000
DATE:2018/08/01					