



MOD : WR-4X11-ST

Production code : FG4XGN11-D

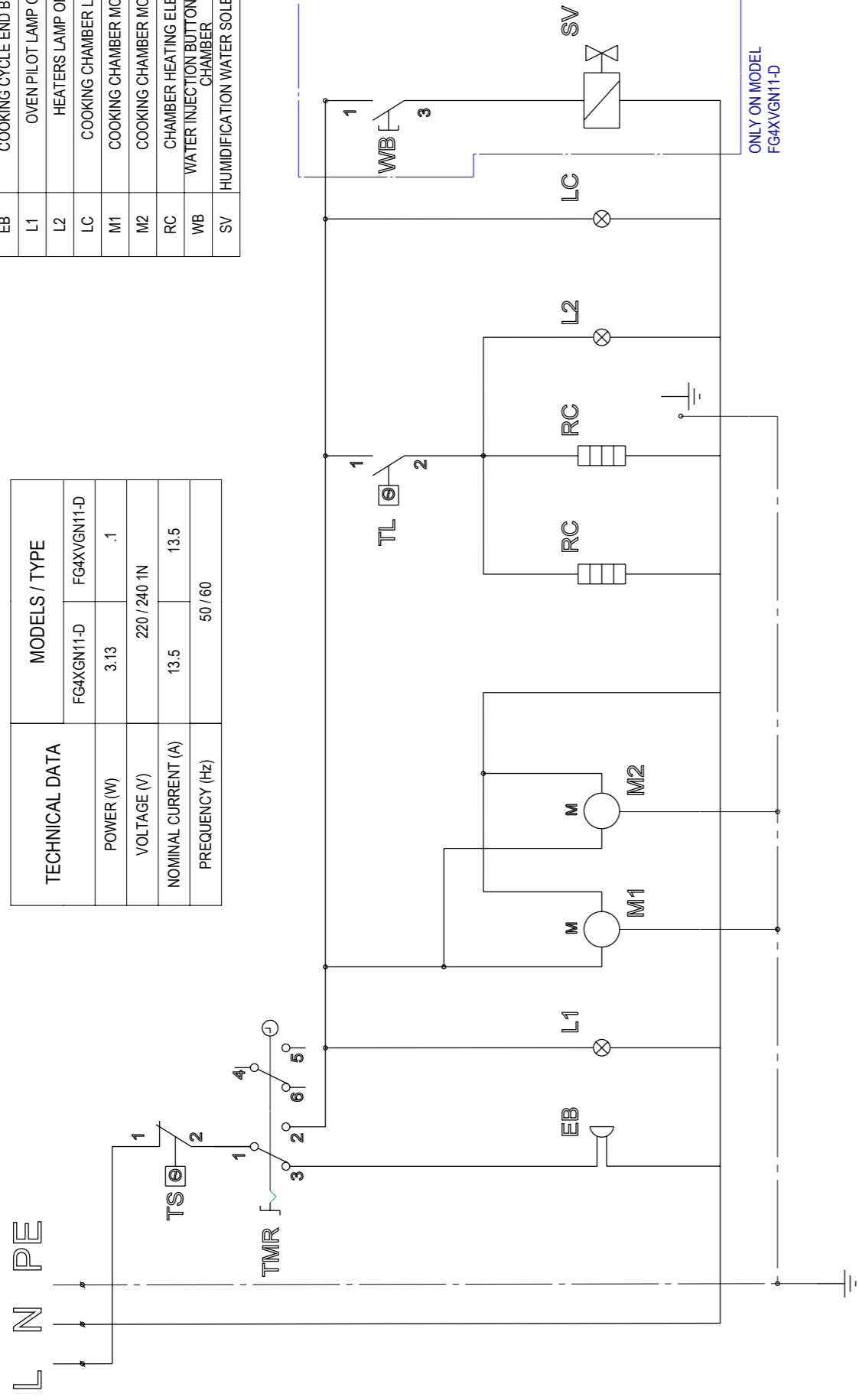
03/2026

SCHEMA ELETTTRICO
ELECTRICAL DIAGRAM
SCHÉMA ÉLECTRIQUE
ELEKTRISCHER SCHALTPLAN

220 - 240 VAC 1~

LEGEND	
TS	SAFETY CHAMBER THERMOSTAT
TMR	COOKING TIMER
TL	COOKING CHAMBER THERMOSTAT
EB	COOKING CYCLE END BUZZER
L1	OVEN PILOT LAMP ON
L2	HEATERS LAMP ON
LC	COOKING CHAMBER LIGHT
M1	COOKING CHAMBER MOTOR 1
M2	COOKING CHAMBER MOTOR 2
RC	CHAMBER HEATING ELEMENT
WB	WATER INJECTION BUTTON COOKING CHAMBER
SV	HUMIDIFICATION WATER SOLENOID VALVE

TECHNICAL DATA	MODELS / TYPE	
		FG4XGN11-D
POWER (W)	3.13	.1
VOLTAGE (V)	220 / 240 1N	
NOMINAL CURRENT (A)	13.5	13.5
PREQUENCY (Hz)	50 / 60	



ONLY ON MODEL
FG4XVGN11-D