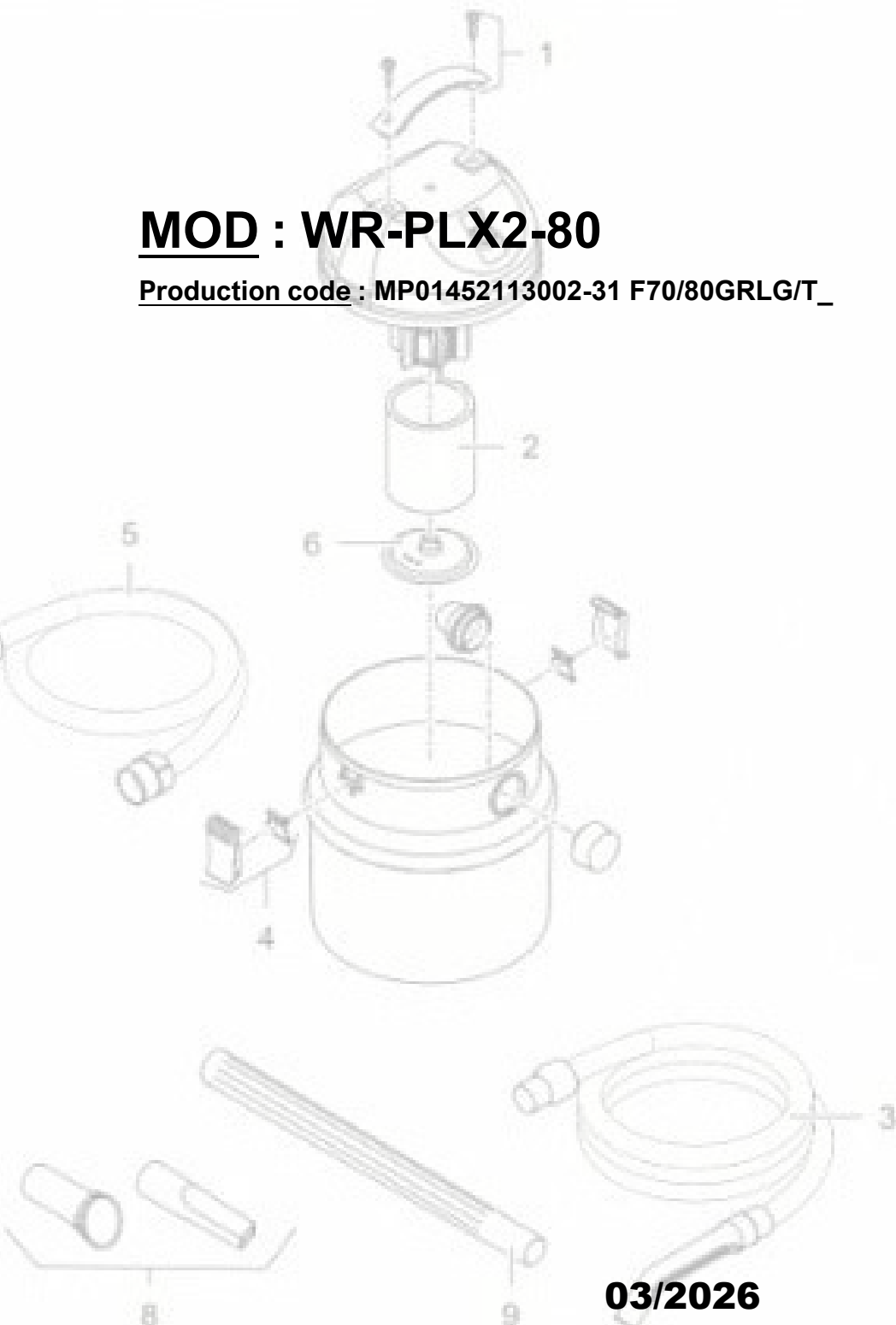
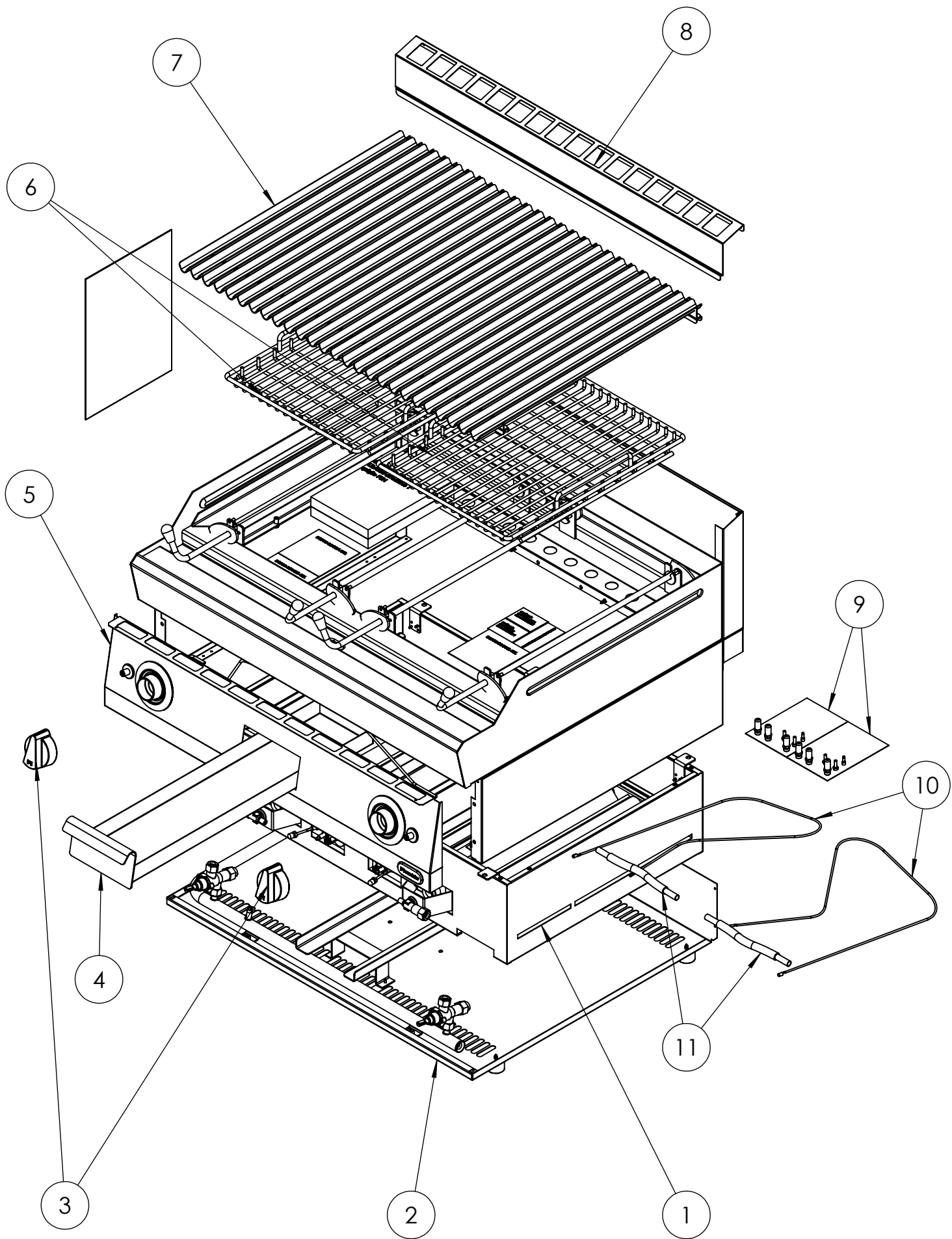


MOD : WR-PLX2-80

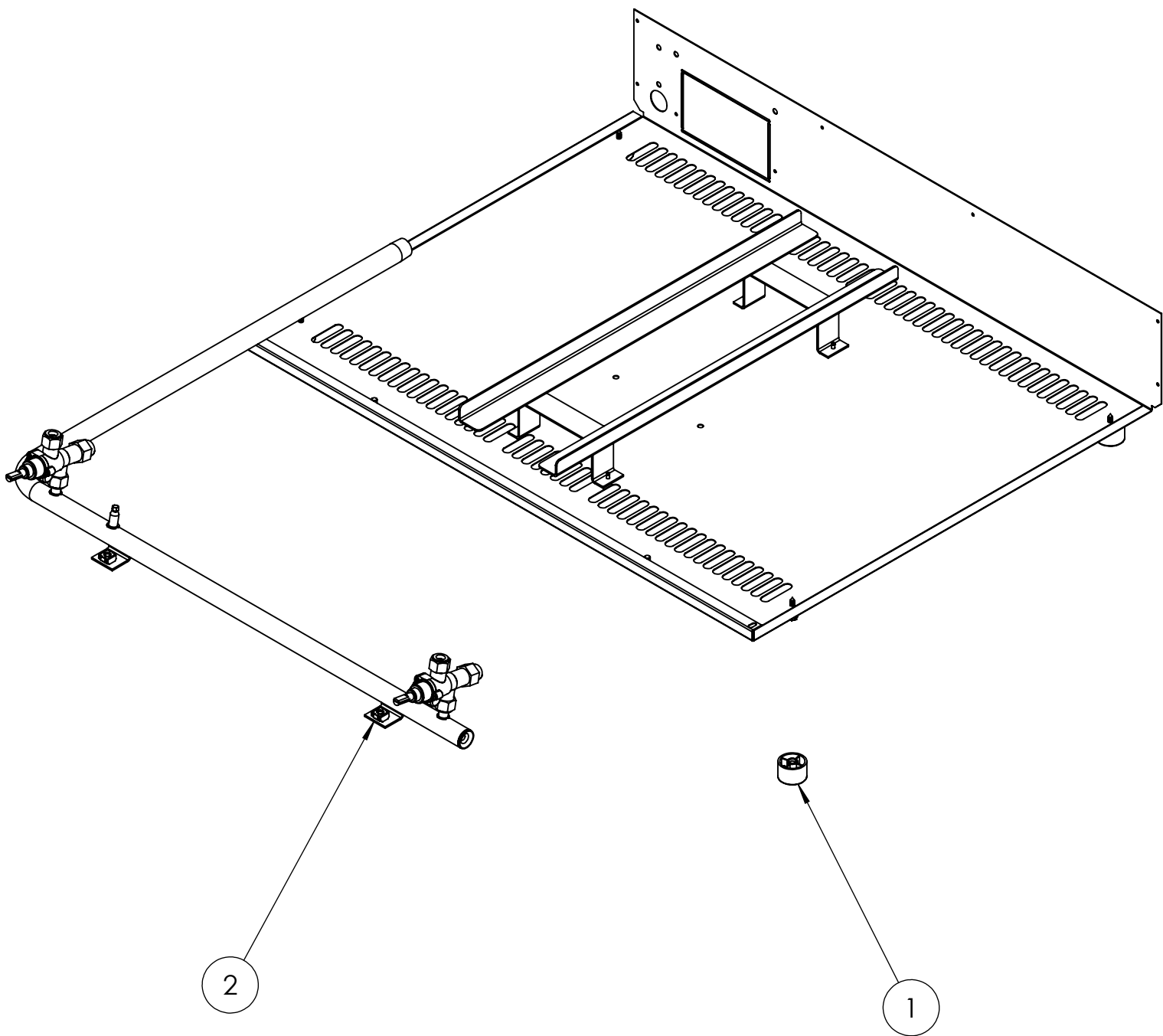
Production code : MP01452113002-31 F70/80GRLG/T_





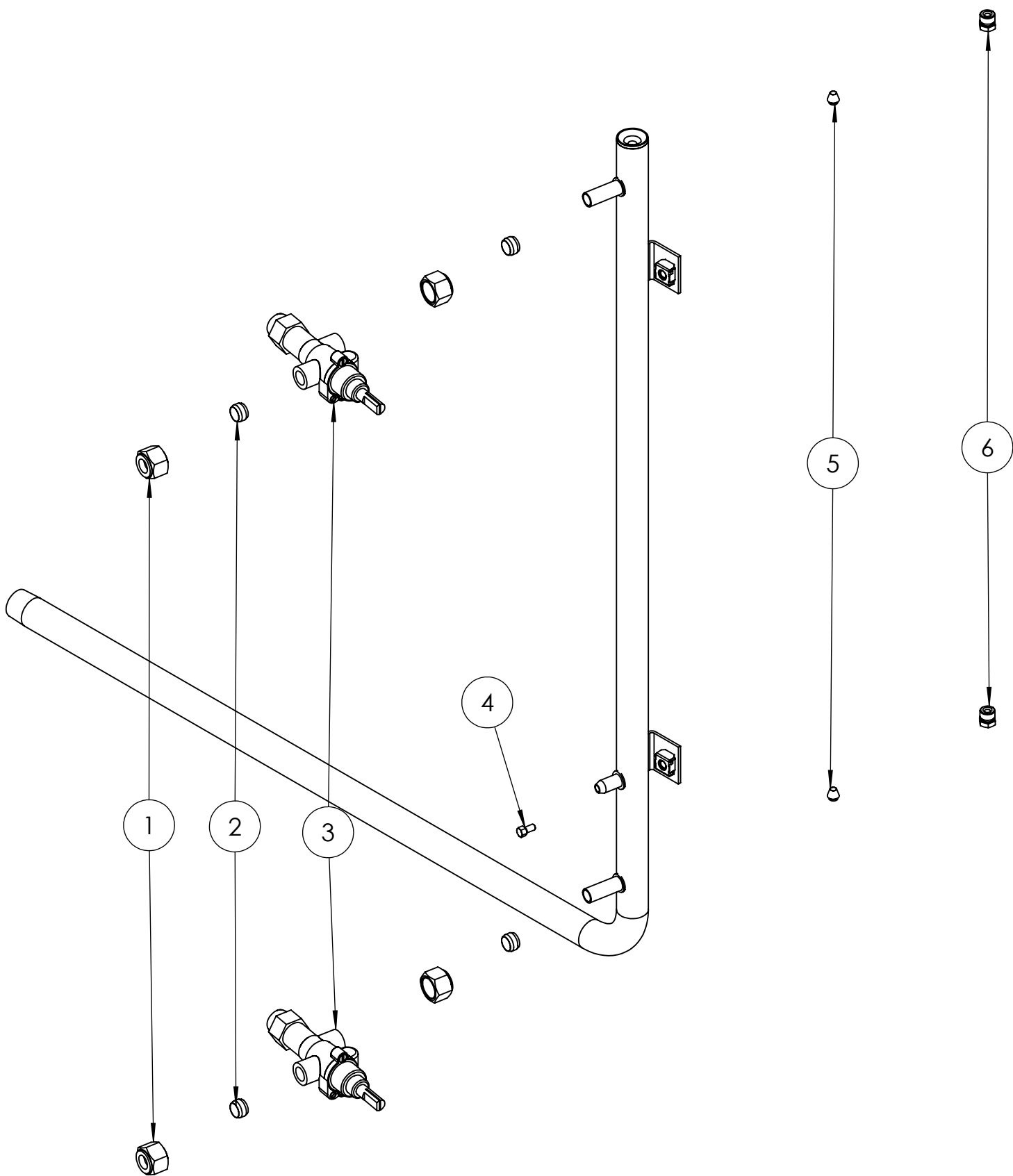
Pos.,Codice,Descrizione,Q.tà,Note,SW-Commenti(Comments),CODICE RICAMBIO

1,	MD41150000100,	Ass.camera combustione 70/80 GRL FUN,1,,MO99414500024
2,	MD17150000910,	Ass.fondo+rampa 70/80 GRL TOP FUN,1,,MO99214500064
3,	MD29150000010,	Ass.manopola D60 termoindurente c/mozzo D8 FUN,2,,MO99219931012
4,	ML32615410000,	Ass.cassetto GRL FUN-Punt.,1,,MO99214599070
5,	MD03150000950,	Ass.cruscotto 70/80 GRL FUN,1,,MO99214500052
6,	MM25154500030,	Ass.braciere 700 GRL,2,,MO99994599004
7,	ML43315450000,	Ass.griglia inox GRL FUN-Sald.,2,,MO99214599088
8,	ML31115450000,	Ass.alzatina forata camino 70/80 GRL FUN-Punt. ,1,,MO99214599076
9,	MN50000002000,	Kit ugelli GRL 7.5kW ROC,2,,MO99414546004
10,	ME22030050001,	Cavo accensione L.500,2,,MO99219946016
11,	MF01409900000,	Conduttura flessibile D.10 L=300,2,,MO99990140008
12,	ML20315990028,	Fianco top 70 FUN-Pieg.,2,,
13,	MB01211504213,	Vite AF TCC 4.2x13 S/P ep ZN UNI6954-B,2,,
14,	MB13101032090,	Rivetto TT 3.2x 9.0 ac-ac strutt.,4,,
15,	ML50115450012,	Ass.piano 70/80 GRL FUN,1,,
16,	ML40115370004,	Ass.tubo scarico FT FUN-Sald.,1,,
17,	MB16016062510,	Prigioniero a sald.M6X25 Fe-Ramato,2,,
18,	MB07201005050,	Dado M5 flangiato C/zigrinatura ZN,2,,
19,	MB10101050125,	Insero CIL.M5 ZN testa rid. CT,4,,
20,	MB07201006060,	Dado M6 flangiato C/zigrinatura ZN,6,,
21,	MN20000000100,	Ass.vite con rondella 4.2x13 ep ZN,17,,
22,	MB01111105012,	Vite TE 5x12 flangia zigr. ZN,4,,
23,	MF01301500190,	Colleg.pilota SX 70/80 GRL FUN,1,,
24,	MF01301500200,	Colleg.pilota DX 70/80 GRL FUN,1,,MO99214199036
25,	ML21515990084,	Schienale top 70/80 FUN-Pieg.,1,,
26,	ML21515990092,	Schienale sup. 70/80 FUN-Pieg.,1,,
27,	MB01231504209,	Vite AF TCC 4.2x9.5 ep ni UNI6954-B,3,,
28,	ML46615450016,	Asta sx movimento GRL FUN-Sald. ,2,,
29,	ML46615450012,	Asta dx movimento GRL FUN-Sald. ,2,,
30,	MM49504100010,	Impugnatura asta GRL,4,,
31,	MM99994500000,	Sacco roccia GRL,3,,
32,	MC16122160020,	Libretto istruzione 2 griglie FUN,1,,
33,	MC16122160010,	Libretto istruzione 1 griglie FUN,1,,
34,	MN20000013900,	Kit targhette predisposizione gas,1,,
35,	MM61309900020,	Targhetta avvertenze multilingua,1,,
36,	MN15000002300,	Ass.imballo FTZ 70/80 ROC vano,1,,
37,	MM61999900010,	Targhetta avvert.predisp.GAS METANO,1,,
38,	MM61999900020,	Targhetta avvert.predisp.GAS GPL,1,,



Pos.,Codice,Descrizione,Q.tà>Note,SW-Commenti(Comments),CODICE RICAMBIO

1,	MM02500200000,	Piedino D.30 H.20,4,,MO99210116004
2,	MN20000020200,	Ass.rampa e rubinetti 70/80 GRL FUN top,1,,MO99214500058
3,	ML20515450008,	Fondo top 70/80 GRL FUN-Pieg. ,1,,
4,	MB01210704822,	Vite TE AF 4.8X22 ZN C/BOR UNI6950,4,,
5,	MB01111106012,	Vite TE M6x12 flangia zigr. ZN DIN6921,2,,
6,	ML36615450000,	Ass. supporto cassetto GRL FUN-Punt. ,1,,
7,	MB13101032090,	Rivetto TT 3.2x 9.0 ac-ac strutt.,4,,



Pos.,Codice,Descrizione,Q.tà>Note,SW-Commenti(Comments),CODICE RICAMBIO

1,	MF13100100010,	Dado x bicono D.10 M16x1.5,4,,MO99990146008
2,	MF13050100000,	Bicono D.10 0957004,4,,MO99990146004
3,	MF04109900000,	Rub.Gas in SIC. SC PEL 21S,2,,MO99219943004
4,	MM19309900000,	Vite per presa di pressione M4,1,,MO99999946100
5,	MF13050040000,	Bicono D.4 per rubinetto,2,,MO99999946024
6,	MF13100040000,	Raccordo bicono D.4 M10x1L 0958013,2,,MO99999946020
7,	MF01101500570,	Ass.rampa 70/80 GRL FUN top,1,,
8,	MB07251006012,	Dado in gabbia M6 ZN,2,,