



**MOD : SFP/44-GX**

**Production code : P11FN55040**

**03/2026**

**IT - SCHEMA INSTALLAZIONE SUPPORTO e**  
*EN -OVEN STAND INSTALLATION DIAGRAM e*



**IT – I SUPPORTI DEI FORNI VENGONO FORNITI CON I SEGUENTI COMPONENTI:**

- **NR. 4 GAMBE** (i codici sono riportati a pagina 9)
- **NR. 4 TRAVERSE LATERALI** (due superiori e due inferiori. I codici sono riportati a pagina 9)
- **NR. 4 TRAVERSE FRONTALI** (due superiori e due inferiori. I codici sono riportati a pagina 9)
- **NR. 4 PIASTRE TRIANGOLARI** codice S42SF20001
- **NR. 4 ANGOLARI** codice S30SF55003
- **NR. 1 SACCHETTO** con tutta la viteria necessaria al fissaggio dei componenti

**OPZIONALE - NR. 1 PROFILO DI RINFORZO INFERIORE** (i codici sono riportati a pagina 9)

**OPZIONALE - NR. 1 RIPIANO INFERIORE** (i codici sono riportati a pagina 9)

**EN – THE OVEN SUPPORTS ARE SUPPLIED WITH THE FOLLOWING COMPONENTS:**

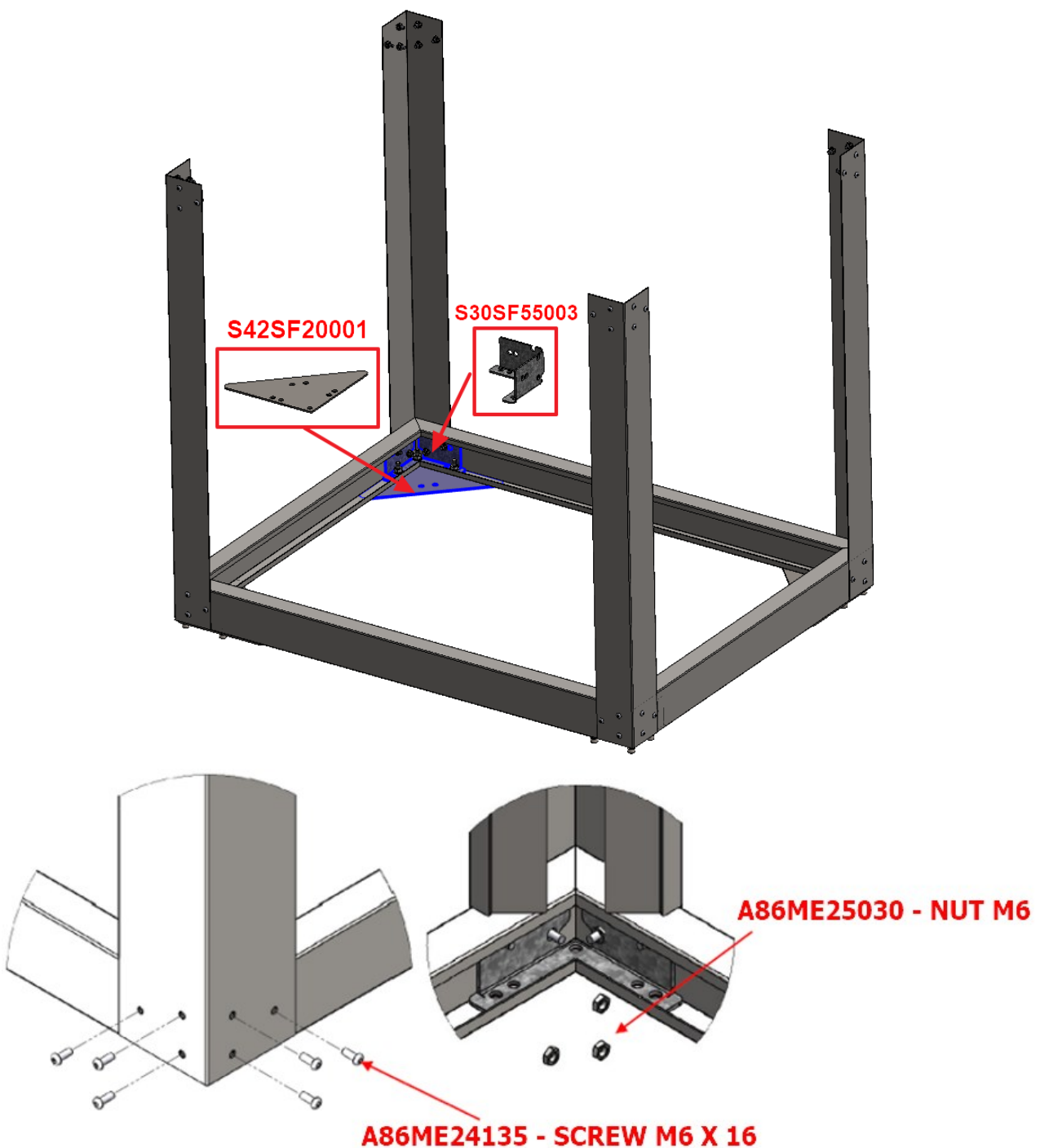
- **NR. 4 LEGS** (the codes are shown on page 9)
- **NR. 4 SIDE CROSS-MEMBERS** (two upper and two lower. The codes are shown on page 9)
- **NR. 4 FRONT CROSS-MEMBERS** (two upper and two lower. The codes are shown on page 9)
- **NR. 4 TRIANGULAR PLATES** code S42SF200001
- **NR. 4 CORNERS** code S30SF55003
- **NR. 1 BAG** with all the screws needed to fix the components

**OPTIONAL - NR. 1 LOWER REINFORCEMENT PROFILE** (codes are shown on page 9)

**OPTIONAL - NR. 1 LOWER SHELVE** (codes are shown on page 9)

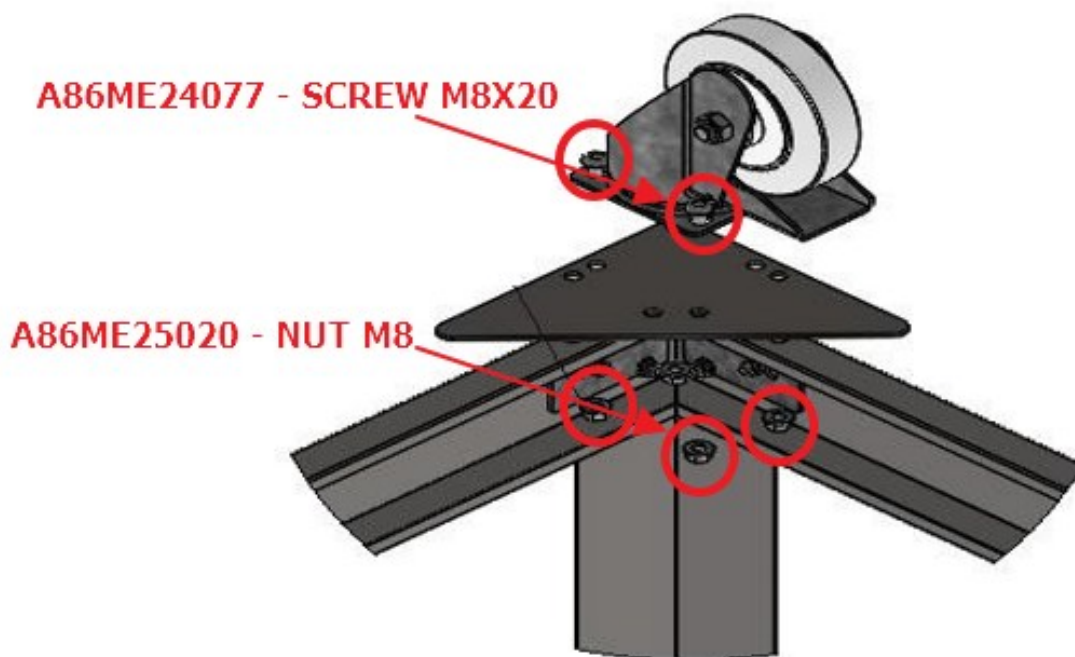
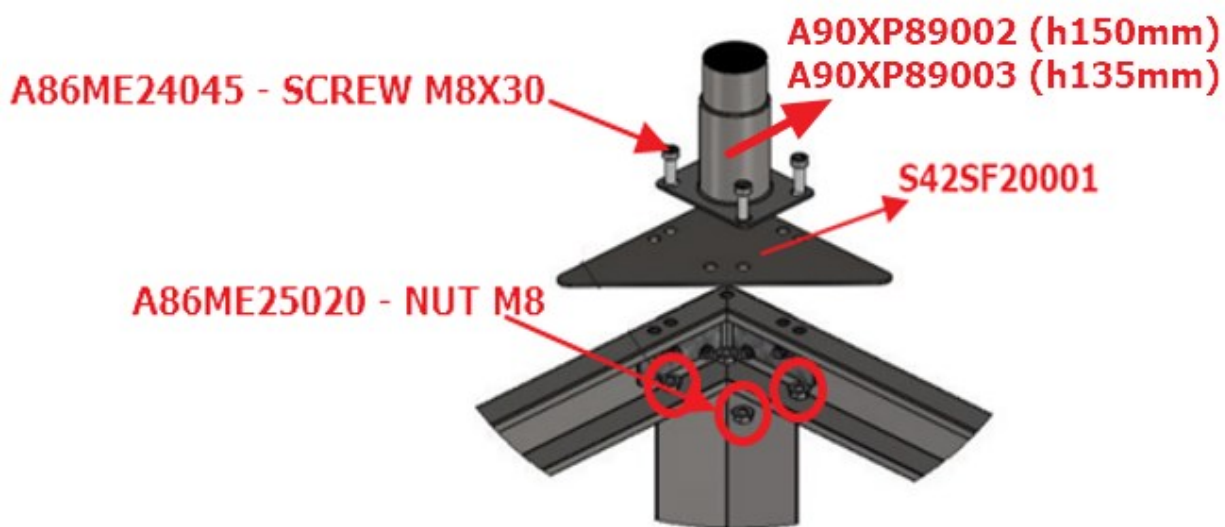
**IT - COLLEGARE LE 4 GAMBE CON LE 4 TRAVERSE INFERIORI UTILIZZANDO I 4 ANGOLARI (S30SF55003), LE 4 PIASTRE TRIANGOLARI (S42SF20001) E LE VITI IN DOTAZIONE CON IL SUPPORTO**

*EN - CONNECT THE 4 LEGS WITH THE 4 LOWER CROSS-MEMBERS USING THE 4 CORNERS (S30SF55003) AND THE SCREWS SUPPLIED WITH THE SUPPORT*



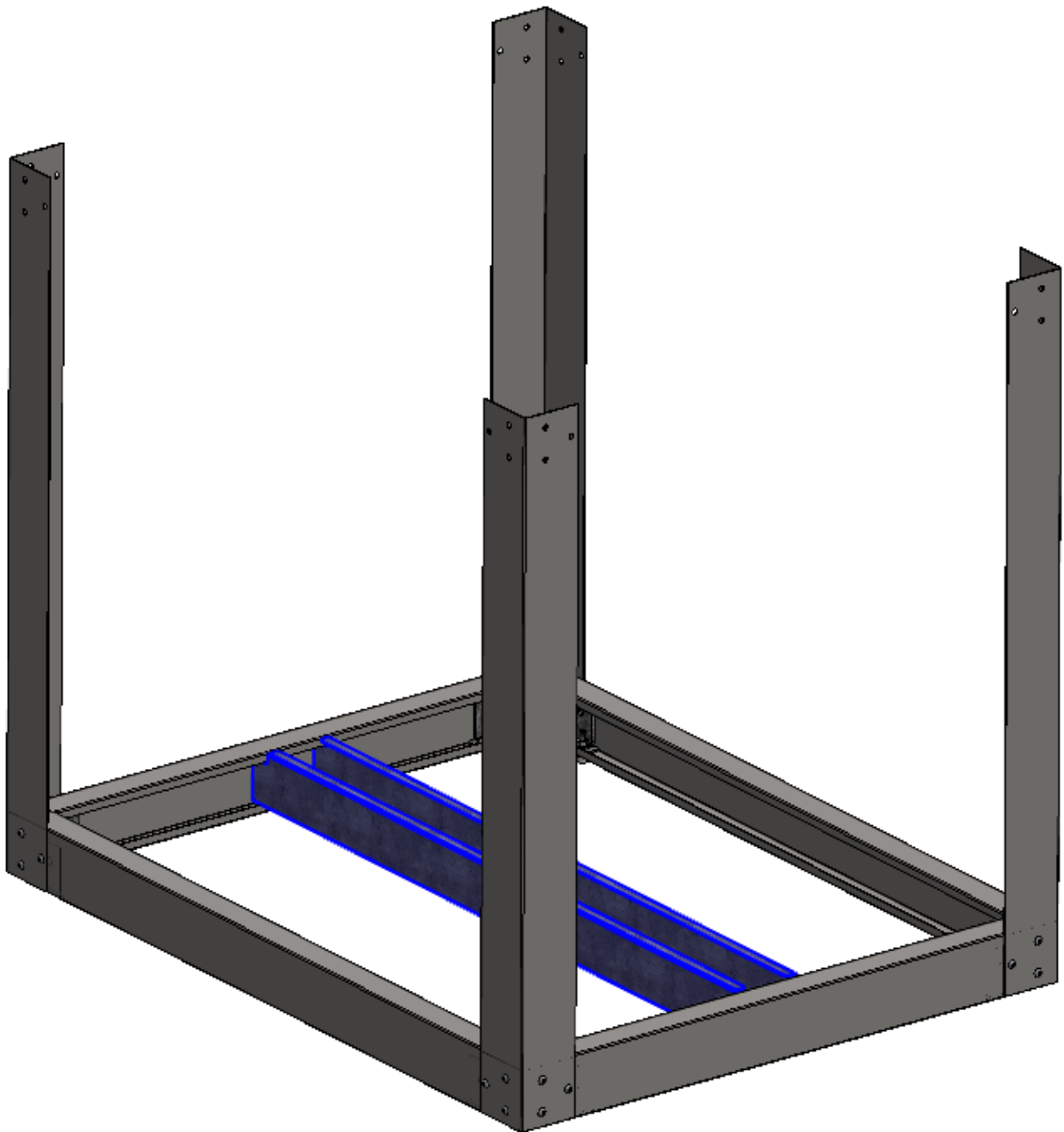
**IT - MONTARE I 4 PIEDI (A90XP89002) O LE 4 ROTELLE  
(A90RX89003 con freno - A90RX89004 senza freno)  
FISSANDOLE CON LE VITI DATE IN DOTAZIONE**

*EN - MOUNT THE 4 FEET (A90XP89002) OR THE 4 CASTERS  
(A90RX89003 with brake - A90RX89004 without brake)  
FIXING THEM WITH THE SCREWS PROVIDED*



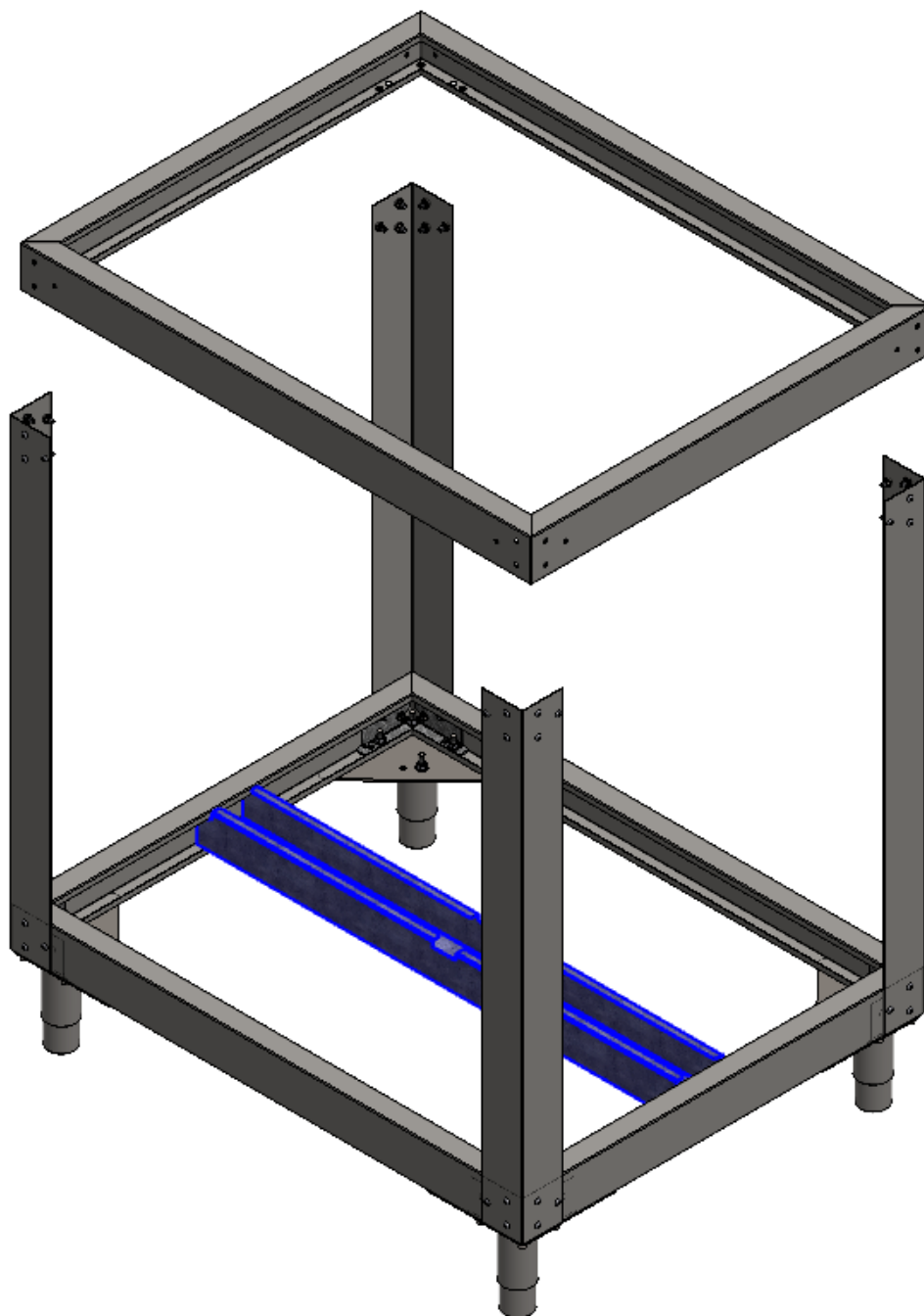
**IT- INSERIRE IL PROFILO DI RINFORZO CENTRALE  
(opzionale e presente solo se si è acquistato il supporto  
con ripiano inferiore)**

*EN - INSERT THE CENTRAL REINFORCEMENT PROFILE  
(optional and present only if you have purchased the  
support with lower shelf)*



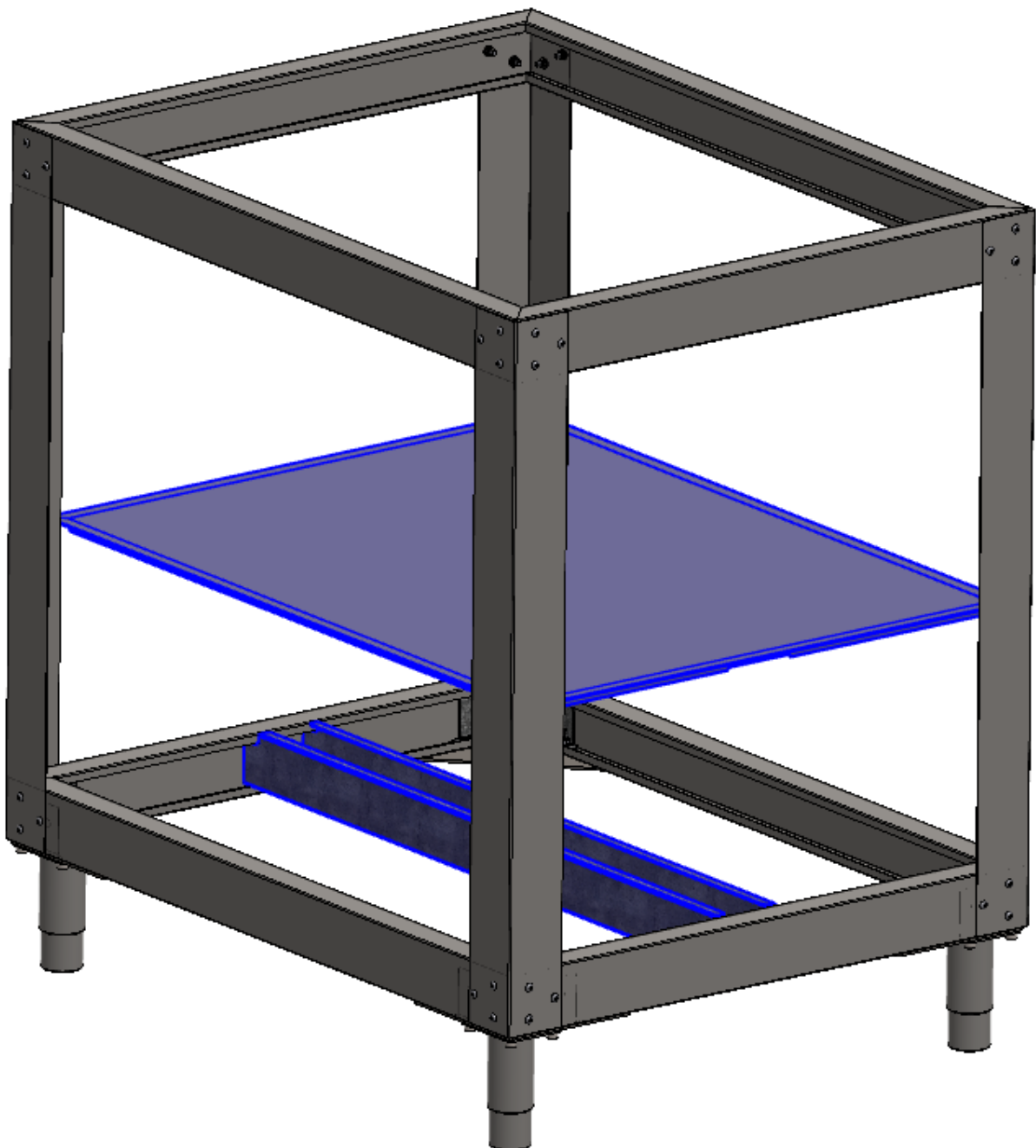
**IT - MONTARE LE 4 TRAVERSE SUPERIORI FISSANDOLE  
ALLE 4 GAMBE CON LE APPOSITE VITI DATE IN  
DOTAZIONE**

*EN - MOUNT THE 4 UPPER CROSS-MEMBERS BY FIXING  
THEM TO THE 4 LEGS WITH THE APPROPRIATE SCREWS  
PROVIDED*



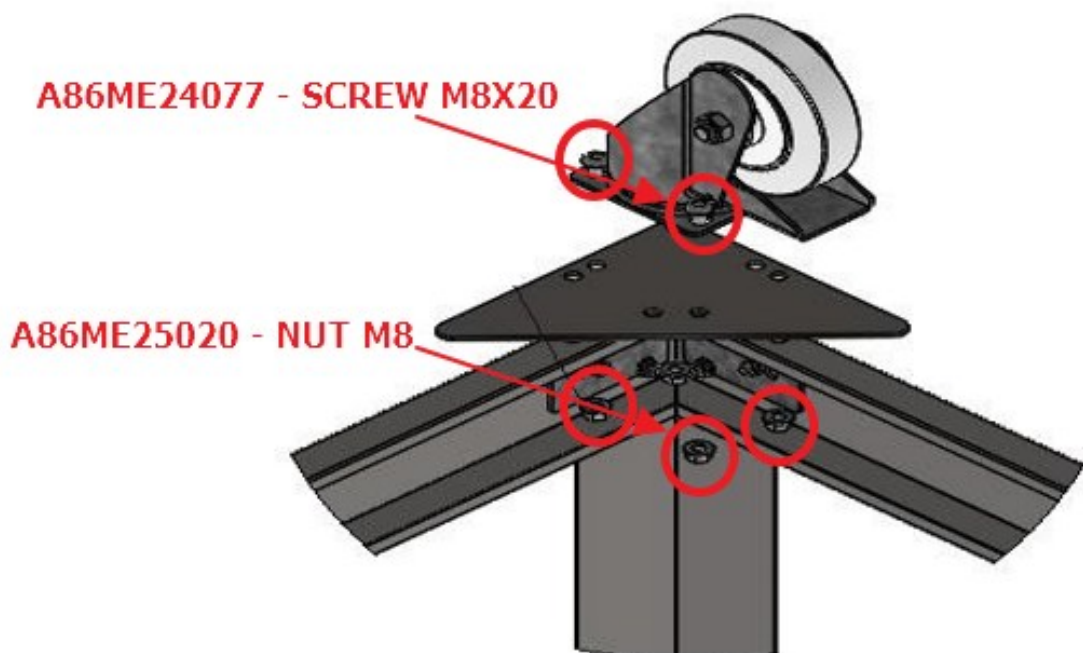
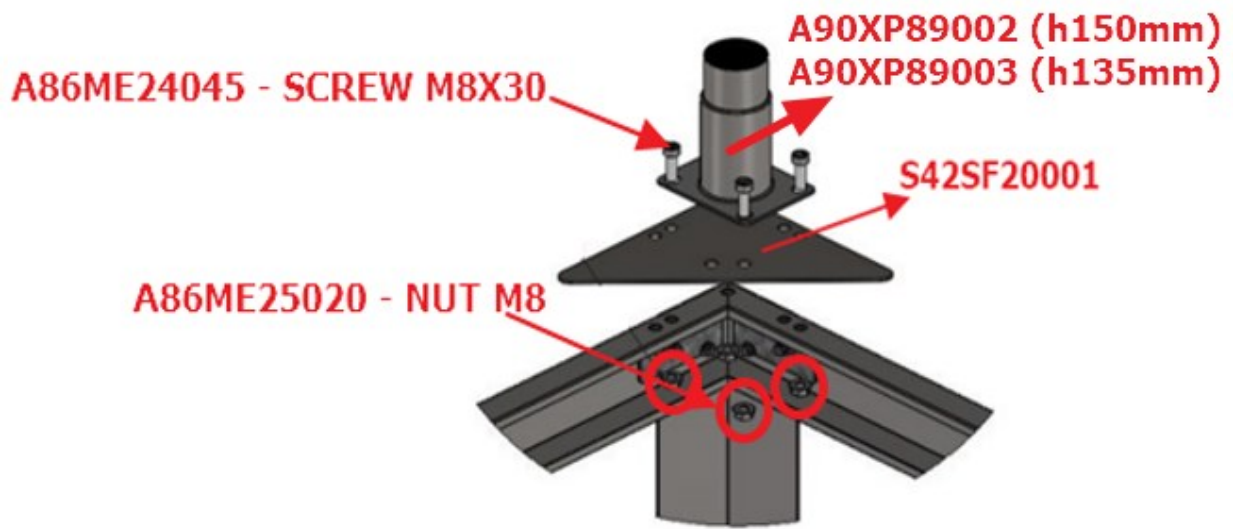
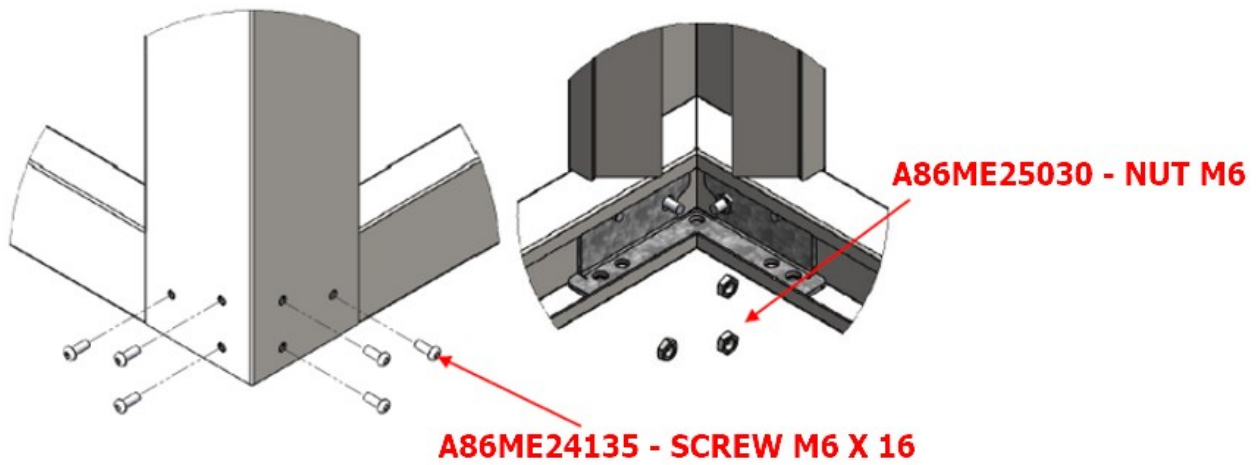
**IT - INSERIRE IL PIANO DI SUPPORTO INFERIORE  
(opzionale e presente solo e se si è acquistato il supporto  
con ripiano)**

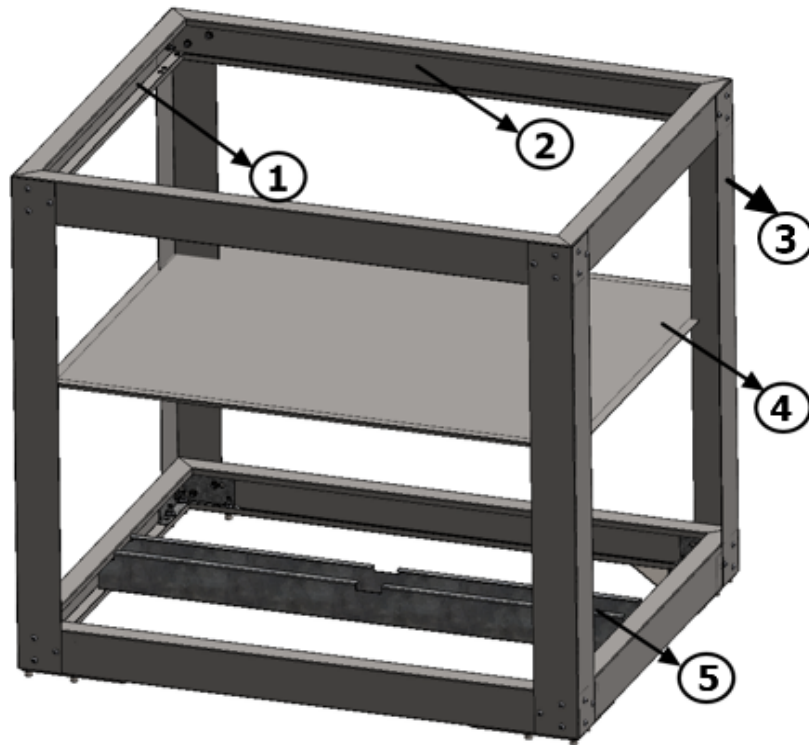
*EN - INSERT THE LOWER SUPPORT PLATE (optional and  
present only if you have purchased the support with shelf)*



# IT - CODICI RICAMBI DEL SUPPORTO

## EN - SPARE PARTS CODES OF THE SUPPORT





CODE	MOD	POSITION				
		1	2	3	4	5
P11FN55001	S4 (to 2024)	S59SP55005	S59SP55001	S57SP55001	-	-
P11FN55002	S6 (to 2024)	S59SP55007	S59SP55001	S57SP55001	-	-
P11FN55003	S6L (to 2024)	S59SP55005	S59SP55003	S57SP55001	-	-
P11FN55004	S9 (to 2024)	S59SP55007	S59SP55003	S57SP55001	-	-
P11FN55005	S8 (to 2024)	S59SP55005	S59SP55001	S57SP55003	-	-
P11FN55006	S12 (to 2024)	S59SP55007	S59SP55001	S57SP55003	-	-
P11FN55007	S12L (to 2024)	S59SP55005	S59SP55003	S57SP55003	-	-
P11FN55008	S18 (to 2024)	S59SP55007	S59SP55003	S57SP55003	-	-
P11FN55028	S4 (from 2025)	S59SP98010	S59SP98008	S57SP55001	-	-
P11FN55029	S6 (from 2025)	S59SP98012	S59SP98008	S57SP55001	-	-
P11FN55030	S6L (from 2025)	S59SP98010	S59SP98014	S57SP55001	-	-
P11FN55031	S9 (from 2025)	S59SP98012	S59SP98014	S57SP55001	-	-
P11FN55032	S8 (from 2025)	S59SP98010	S59SP98008	S57SP55003	-	-
P11FN55033	S12 (from 2025)	S59SP98012	S59SP98008	S57SP55003	-	-
P11FN55034	S12L (from 2025)	S59SP98010	S59SP98014	S57SP55003	-	-
P11FN55035	S18 (from 2025)	S59SP98012	S59SP98014	S57SP55003	-	-
P11FN55036	S4 (from 2025)	S59SP98010	S59SP98008	S57SP55001	S58SP07001	S44SP07003
P11FN55037	S6 (from 2025)	S59SP98012	S59SP98008	S57SP55001	S58SP07003	S44SP07003
P11FN55038	S6L (from 2025)	S59SP98010	S59SP98014	S57SP55001	S58SP07005	S44SP07007
P11FN55039	S9 (from 2025)	S59SP98012	S59SP98014	S57SP55001	S58SP07007	S44SP07011
P11FN55040	S8 (from 2025)	S59SP98010	S59SP98008	S57SP55003	S58SP07001	S44SP07003
P11FN55041	S12 (from 2025)	S59SP98012	S59SP98008	S57SP55003	S58SP07003	S44SP07003
P11FN55042	S12L (from 2025)	S59SP98010	S59SP98014	S57SP55003	S58SP07005	S44SP07007
P11FN55043	S18 (from 2025)	S59SP98012	S59SP98014	S57SP55003	S58SP07007	S44SP07011