



# **MOD : IN/BX18-PSCX**

**Production code : 19109826**

Jet engine compressor drawings

Creative  
MARKET

**03/2026**

# TABLAS DE EQUIVALENCIAS EQUIVALENCE TABLE TABLEAU DES ÉQUIVALENCES

CUBA DE BAÑO MARIA SECO

DRY BAIN-MARIE

BAIN MARIE À AIR

DC6-BS2 : CBMS6-2
DC6-BS3 : CBMS6-3
DC6-BS4 : CBMS6-4
DC6-BS5 : CBMS6-5
DC6-BS6 : CBMS6-6
DC7-BS2 : CBMS7-2
DC7-BS3 : CBMS7-3
DC7-BS4 : CBMS7-4
DC7-BS5 : CBMS7-5
DC7-BS6 : CBMS7-6
DC16-BS3: CBMS16-3
DC16-BS4: CBMS16-4

CUBA DE BAÑO MARIA SECO DROP-IN  
DRY BAIN-MARIE DROP-IN  
BAIN MARIE À AIR DROP-IN

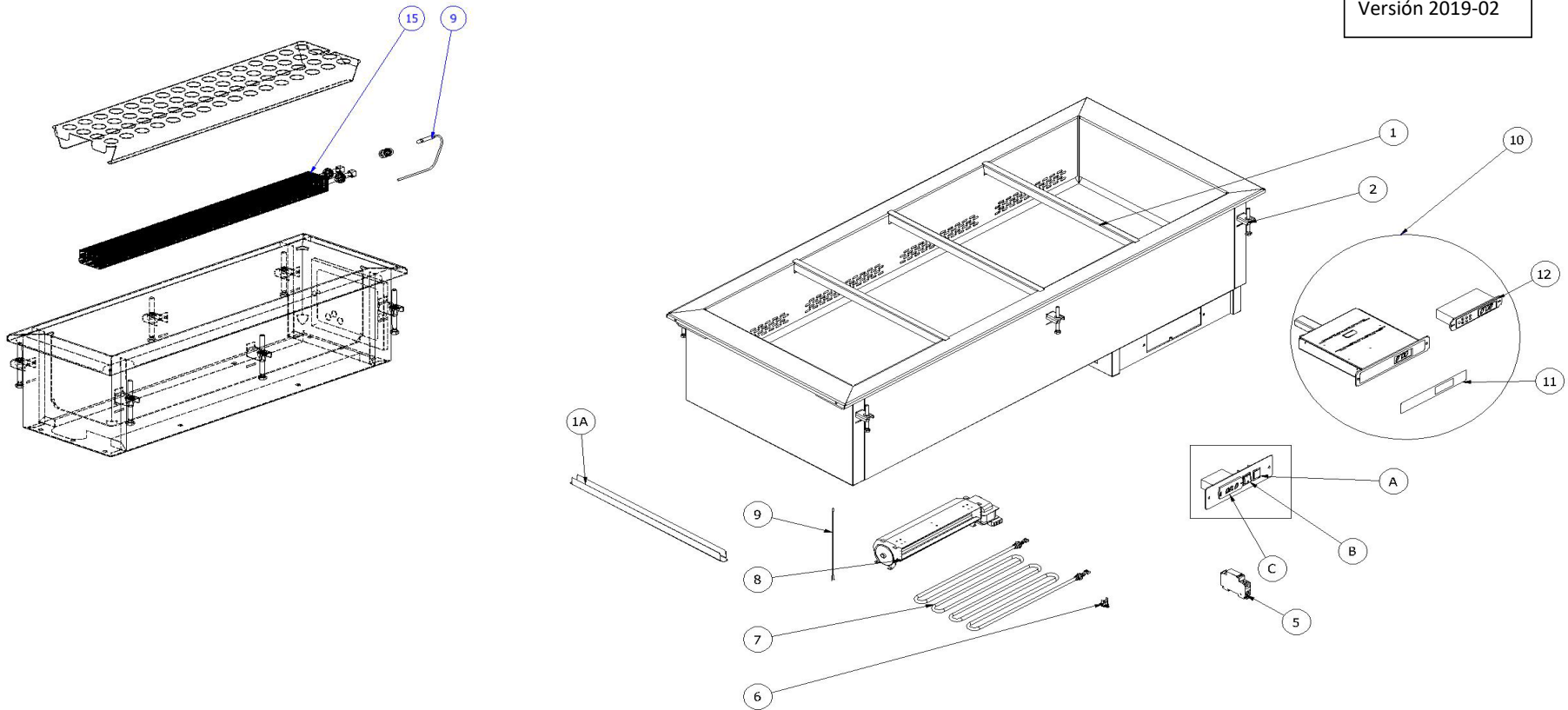
Modelos/Models/Modèles:

DC6-BS2	DC7-BS2	DC16-BS3
DC6-BS3	DC7-BS3	DC16-BS4
DC6-BS4	DC7-BS4	
DC6-BS5	DC7-BS5	
DC6-BS6	DC7-BS6	

Consultar tabla de equivalencias / Check equivalences table / Consulter le tableau des équivalences

CUBA DE BAÑO MARIA SECO DROP-IN / DRY BAIN-MARIE DROP-IN / BAIN MARIE À AIR DROP-IN

Versión 2019-02



(1) WARNING! Verify compressors depending on frequency and voltage. / ¡ATENCIÓN! Verificar los compresores dependiendo de la frecuencia y el voltaje. / ATTENTION! Vérifier les compresseurs en fonction de la fréquence et de la tension.

CUBA DE BAÑO MARIA SECO DROP-IN / DRY BAIN-MARIE DROP-IN / BAIN MARIE À AIR DROP-IN

Nº	CODE CODIGO	SAP CODE	RECOM.	DESCRIPTION	DESCRIPCIÓN	DC6-BS2	DC6-BS3	DC6-BS4	DC6-BS5	DC6-BS6	DC7-BS2	DC7-BS3	DC7-BS4	DC7-BS5	DC7-BS6	DC16-BS3	DC16-BS4	Introducido o Inserted	Eliminado Removed
1	C240750120	12088483		DROP DIVIDER PROFILE	SEPARADOR DROP	1	2	3	4	5	1	2	3	4	5				02/02/2019
1A	C240751534	12234806		DROP DIVIDER PROFILE 509	SEPARADOR 509 DROP	1	2	3	4	5	1	2	3	4	5			02/02/2019	
2	C240720044	12089065		ANCHORAGE ASSEMBLY	CONJUNTO ANCLAJE DROP	4	6	6	6	6	4	6	6	6	6	4	4		
3A	C180100001	12088471		BLIND TAPE 22X30 MM TB-1	TAPA CIEGA 22X30 MM TB-1	1	1	1	1	1	1	1	1	1	1				02/02/2019
3B	C180200022	12089049	X	BIPOLAR RED SWITCH IB-4	INTERRUPTOR BIPOLAR ROJO CON LUZ IB-4	1	1	1	1	1	1	1	1	1	1				02/02/2019
3C	C180300041	12118538	X	TH.CAREL 16A PJEZS2P000 2 ENTR.NTC HT	TH.CAREL 16A PJEZS2P000 2 ENTR.NTC HT	1	1	1	1	1	1	1	1	1	1				02/02/2019
4	C140400001	12234807		ADHESIVE BUTTON OVERLAY	BOTONERA ADHESIVA	1	1	1	1	1	1	1	1	1	1				02/02/2019
5	C180200020	12089048		CONTACTOR ESB 20-20 ABB 230V 2NA	CONTACTOR ESB 20-20 ABB 230V 2NA				1	1				1	1			01/11/2017	
6	C180300034	12088472	X	KLIXON 16A AUTOM. 180º	KLIXON 16A AUTOM. 180º	1	1	1	1	1	1	1	1	1	1				
7	C180600056	12088474	X	1500W HEATER	RESISTENCIA BLINDADA 1500W	1	1		2	2	1	1		2	2				20/10/2020
7	C180600056	12088474	X	1500W HEATER	RESISTENCIA BLINDADA 1500W	1	1		2	1	1	1		2	1				20/10/2020
7	C180600057	12088475	X	DESCRIPTION	RESISTENCIA BLINDADA 2000W			1					1						20/10/2020
7	C180600057	12088475	X	2000W HEATER	RESISTENCIA BLINDADA 2000W			1					1						20/10/2020
8	C200100002	12089064	X	TANGENTIAL FAN TRIAL L=270	VENTILADOR TANGENCIAL TRIAL L=270	1	1	1	2	2	1	1	1	2					20/10/2020
8	C200100002	12089064	X	TANGENTIAL FAN TRIAL L=270	VENTILADOR TANGENCIAL TRIAL L=270	1	1	1	1	2	1	1	1	1	2				20/10/2020
9	C180300042	12118539	X	PROBE NTC 3m CAREL HT 150ºC - CAP. INOX	SONDA NTC 3m CAREL HT 150ºC - CAP. INOX	2	2	2	2	2	2	2	2	2	2	1	1		15/03/2022
9	C180300074	12315563		EVCO PROBE	SONDA PTC EVCO EVTPP830S200	2	2	2	2	2	2	2	2	2	2	1	1		15/03/2022
10	C240710189	12234808		CONTROL PANEL 4 DROP	C CAJA MANDOS 4 DROP	1	1	1	1	1	1	1	1	1	1	1	1		02/02/2019
10	C240710477	12315620		CONTROL PANEL (477)	C CAJA MANDOS PROG 234GN (477)	1	1	1			1	1	1			1	1		15/03/2022
10	C240710479	12315619		CONTROL PANEL (479)	C CAJA MANDOS PROG 56GN (479)				1	1				1	1				15/03/2022
11	C140400004	12170110	X	STICKER 223 X 35 WITHOUT LOGO	PEGATINA LEXAN INDIVIDUAL 223X35 SIN LOGO	1	1	1	1	1	1	1	1	1	1	1	1		02/02/2019
11	C140400004	12170110	X	STICKER 223 X 35 WITHOUT LOGO	PEGATINA LEXAN INDIVIDUAL 223X35 SIN LOGO	1	1	1	1	1	1	1	1	1	1	1	1		15/03/2022
12	C180300059	12234793	X	THERMOSTAT POWER COMPAC PMFE1Z0053	TERMOST. POWER COMPAC REFRIG PMFE1Z0053 (12043611)	1	1	1	1	1	1	1	1	1	1	1	1		02/02/2019
12	C240710462	12315553	X	THERM EVCO EV3243N7VWHXX1 PROG (462)	TERM EVCO EV3243N7VWHXX1 PROG (462)	1	1	1			1	1	1			1	1		15/03/2022
13	C180100199	12244392		POWER CABLE 3X1,5X2,5	MANGUERA RED 3X1.5X2.5 SCHUKO ACOD-IEC H C-19 NG	1	1	1	1	1	1	1	1	1	1	1	1		
14	C180100230	12219396		PORCELANIC CONECTOR	BORNA PORCELANA BIPOLAR 6MM2	1	1	1	1	2	1	1	1	1	2				
14	C180100133	12281659		PORCELANIC CONECTOR 3 POLES 6 mm2	BORNA PORCELANA 3 POLOS 6 mm2	1	1	1	1	2	1	1	1	1	2				
15	C180600082	12281660		U-SHAPED HEATER 3GN 1/6 AL004 - 430mm 850W	RESISTENCIA EN U 3GN 1/6 AL004 - 430mm 850W											1			
15	C180600083	12281661		U-SHAPED HEATER 4GN 1/6 AL009 - 620mm 1250W	RESISTENCIA EN U 4GN 1/6 AL009 - 620mm 1250W												1		

(1) WARNING! Verify compressors depending on frequency and voltage. / ¡ATENCIÓN! Verificar los compresores dependiendo de la frecuencia y el voltaje. / ATTENTION! Vérifier les compresseurs en fonction de la fréquence et de la tension.