



MOD : AC/HV6-10CV-X

Production code : 922718

Jet engine compressor drawings

Creative
MARKET

01/2026

OVEN HOODS ACCESSORIES

PNC	Factory Model	Ref	Page	Description	Note
AC/HV6-10CV-X	HOOT11E	a	2-7	ODOUR REDUCTION HOOD WITH FAN FOR 6&10 GN 1/1 ELECTRIC OVEN	
922719	HOOT21E	b	2-7	ODOUR REDUCTION HOOD WITH FAN FOR 6&10 GN 2/1 ELECTRIC OVEN	
922720	HOODFA2011	c	2-7	ODOUR REDUCTION HOOD WITH FAN FOR 20 GN 1/1 ELECTRIC OVEN	
922721	HOOS21E	d	2-7	ODOUR REDUCTION HOOD WITH FAN FOR STACKING 6+6&10 GN 2/1 ELECTRIC OVENS	
922722	HOOS11E	e	2-7	ODOUR REDUCTION HOOD WITH FAN FOR STACKING 6+6&10 GN 1/1 ELECTRIC OVENS	
922723	HOCT11E	f	2,3,6,7	CONDENSATION HOOD WITH FAN FOR 6&10GN 1/1 ELECTRIC OVEN	
922724	HOCT21E	g	2,3,6,7	CONDENSATION HOOD WITH FAN FOR 6&10GN 2/1 ELECTRIC OVEN	
922725	HOCV11E	h	2,3,6,7	CONDENSATION HOOD WITH FAN FOR 20 GN 1/1 ELECTRIC OVEN	
922726	HOCS21E	j	2,3,6,7	CONDENSATION HOOD WITH FAN FOR STACKING 6+6&10 GN 2/1 ELECTRIC OVENS	
922727	HOCS11E	k	2,3,6,7	CONDENSATION HOOD WITH FAN FOR STACKING 6+6&10 GN 1/1 ELECTRIC OVENS	
AC/HV6-10-X	HOST11	m	2,3,6,7	EXHAUST HOOD WITH FAN FOR 6&10 GN 1/1 OVEN	
922729	HOST21	n	2,3,6,7	EXHAUST HOOD WITH FAN FOR 6&10 GN 2/1 OVEN	
922730	HOSV11	o	2,3,6,7	EXHAUST HOOD WITH FAN FOR 20 GN 1/1 OVEN	
922731	HOSS21	p	2,3,6,7	EXHAUST HOOD WITH FAN FOR STACKING 6+6&10 GN 2/1 OVENS	
922732	HOSS11	q	2,3,6,7	EXHAUST HOOD WITH FAN FOR STACKING 6+6&10 GN 1/1 OVENS	
AC/HN6-10-X	HOBT11	r	2-3	EXHAUST HOOD WITHOUT FAN FOR 6&10 GN 1/1 OVEN	
922734	HOBT21	s	2-3	EXHAUST HOOD WITHOUT FAN FOR 6&10 GN 2/1 OVEN	
922735	HOBV11	t	2-3	EXHAUST HOOD WITHOUT FAN FOR 20 GN 1/1 OVEN	
922736	HOBS21	u	2-3	EXHAUST HOOD WITHOUT FAN FOR STACKING 6+6&10 GN 2/1 OVENS	
922737	HOBS11	v	2-3	EXHAUST HOOD WITHOUT FAN FOR STACKING 6+6&10 GN 1/1 OVENS	

Index

Page

Main body / Corpo principale

2-3

UV lamps and filters / Lampade UV e filtri

4-5

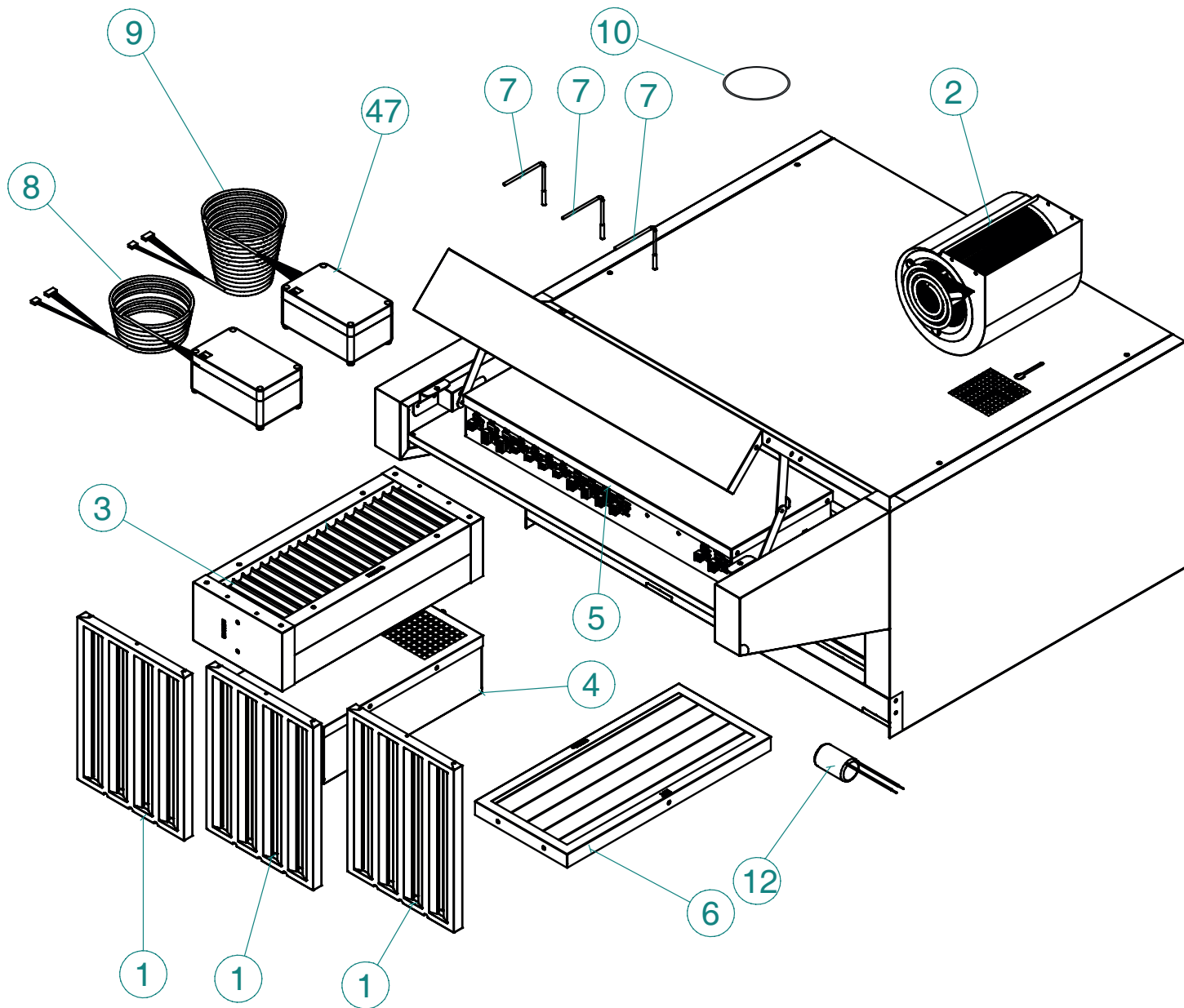
Electronic box / Scatola elettronica

6-7

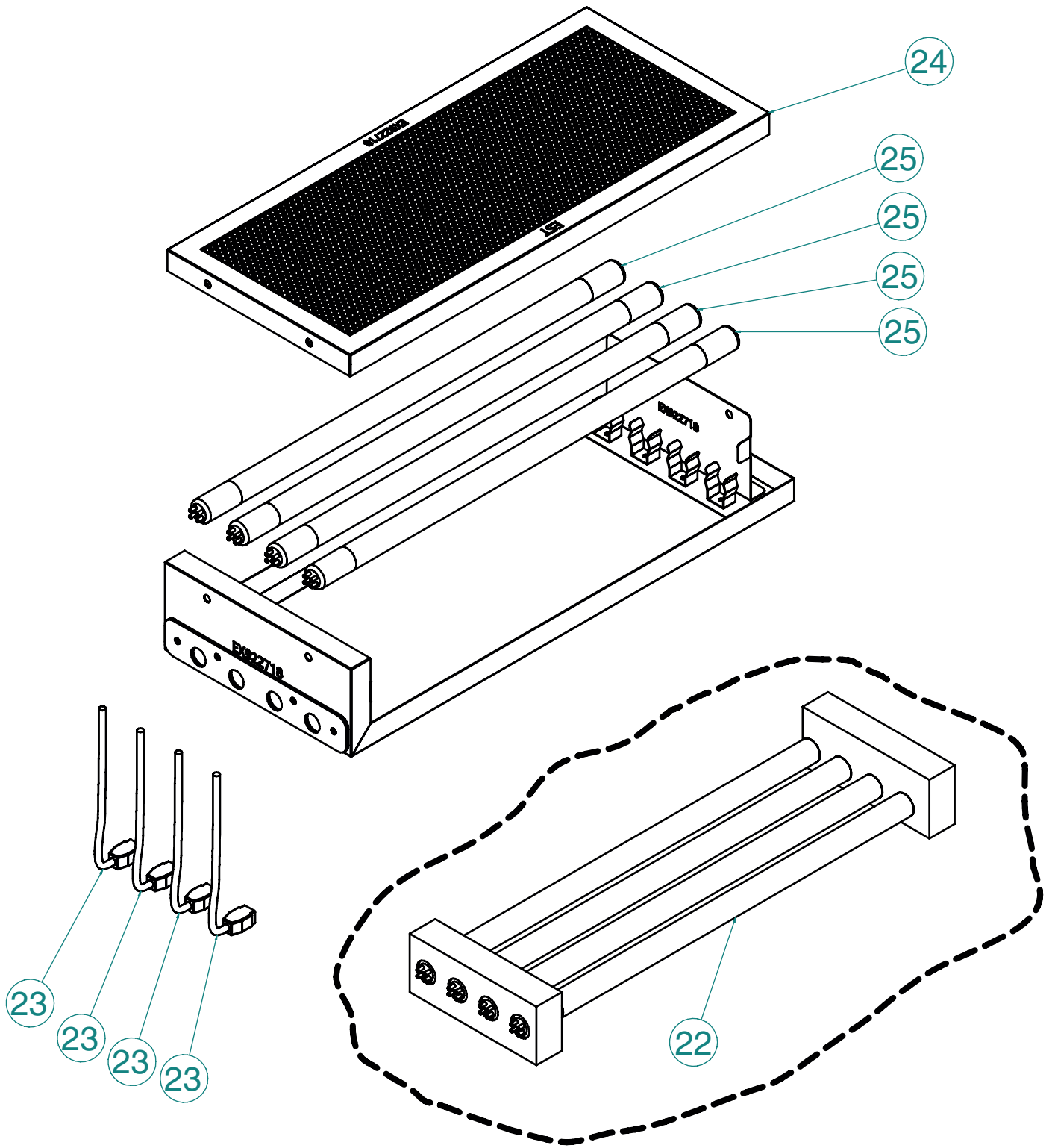
Bold=last change / Grassetto =ultima modifica

Rev. 2

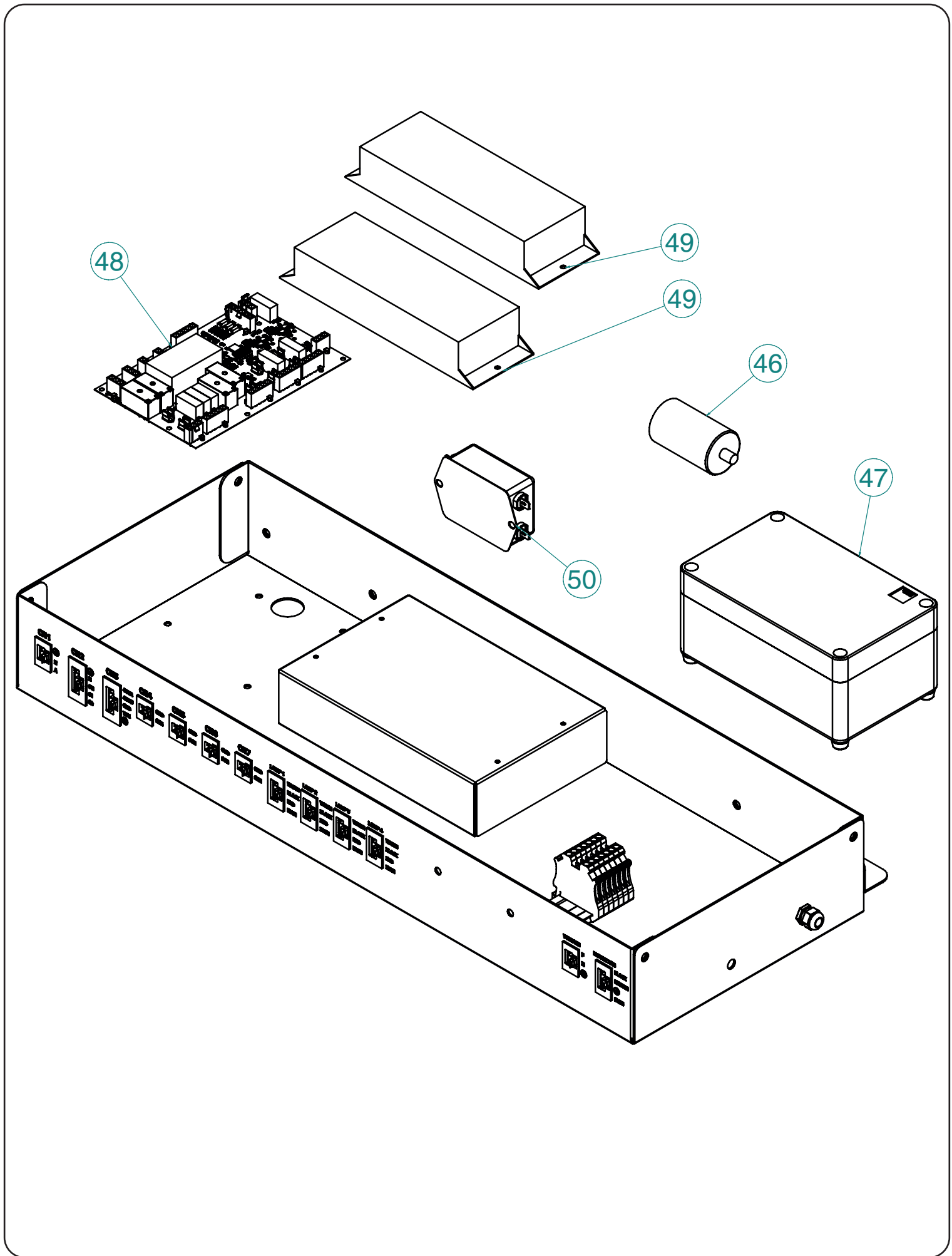
From Ser. Nr.... Up to Ser. Nr....	Ed. 2024-05 Updated 2024-12	Page: 1	Doc No: Hoods
---------------------------------------	--------------------------------	---------	----------------------



Pos	EPR Code	Alinox code	Descrizione	Description	Ref./Notes
1	RR000S2454	HLFA2634	FILTRO LABIRINTO CAPP A FORNO 6-10 GN1/1	HOOD'S LABYRINTH FILTER FOR OVEN 6-10 GN1/1	a e f k m q r v
1	RR000S2557	HLFA2734	FILTRO LABIRINTO CAPP A FORNO 20 GN1/1	HOOD'S LABYRINTH FILTER FOR OVEN 20 GN1/1	c h o t
1	RR000S2558	HLFA3334	FILTRO LABIRINTO CAPP A FORNO 6-10 GN2/1	HOOD'S LABYRINTH FILTER FOR OVEN 6-10 GN2/1	b d g j n p s u
2	RR0037807	YMV0015.01	MOTOVENTILATORE	MOTOR-FAN	m n o p q
2	RR000S2465	YMV0010	MOTOVENTILATORE ROTORE ESTERNO C/CONDENS.8 μ F A PARTE+-CAVO 1m	MOTOR-FAN C/8 μ F CAPACITOR, 1MT CABLE	a b c d e f g h j k
3	RR000CB941	HFLM491215	POSTFILTRO L4 SEPARATORE a LAMELLE L490xP120xH150 COMPLETO DI CORNICE	FLAPS SEARATOR FILTER FOR L4 HOOD L600XP120XH200 W/FRAME	a b c d e
3	RR000S2456	HFLM601520	POSTFILTRO SEPARATORE a LAMELLE L600xP120xH200 COMPLETO DI CORNICE	FLAPS SEARATOR FILTER L600X-P120XH200 W/FRAME	f g h j k
4	RR000CB940	HFD371220	POSTFILTRO L4 DEMISTER L370x-P120xH200 COMPLETO DI CORNICE	DEMISTER POST-FILTER FOR L4 HOOD L600XP150XH200 W/FRAME	a b c d e
4	RR000S2455	HFD601520	POSTFILTRO DEMISTER L600x-P150xH200 COMPLETO DI CORNICE	DEMISTER POST-FILTER L600X-P150XH200 W/FRAME	f g h j k
5	RR000C8936	YKELSTK	KIT COMANDO PER CAPP A LIVELLO 3 FORNI SOVRAPPOSTI 2 RIV, SCATOLA DERIV.,CONDESATORE,MORSETTIERE, CABLAGGIO	KIT CONTROLLER L3 HOOD FOR STACKIN OVEN	j k p q
5	RR000CBAP6	YKELSTK2	KIT COMANDO PER CAPP A LIVELLO 2 FORNI SOVRAPPOSTI 2 RIV, SCATOLA DERIV.,CONDESATORE,MORSETTIERE, CABLAGGIO"	KIT CONTROLLER L2 HOOD FOR STACKIN OVEN	j k p q
5	RR000S2748	YBOXEL4C	BOX CONTROLLER CAPP A L4 COMPLETO: - SCATOLA LAMIERA, CONDENSATORE DUCATI 8 μ F, FILTRO SHAFFNER - SCHEDA ELETTRONICA L4, BALLAST, CONNETTORI M/F WAGO, ASSEMBALGGIO	BOX CONTROLLER FOR L4 HOOD: - METAL SHEET, CAPACITOR DUCATI 8 μ F, LINE FILTER SHAFFNER, ELECTRONIC MOTHERBOARD L4, BALLAST, CONNECTORS M/F WAGO	a b c d e
6	RR000S2790	YFW01022	FILTRO WR	FILTER WR	a b c d e
7	RR000CB943	YSMP4	SENSORE MAGNETICO PRESENZA	MAGNETIC DETECTION SENSOR	a b c d e
8	RR000S2753	YCCBOX4	CAVO CONNESSIONE BOX - FORNO L=4,6mt.	CONNECTION CABLE HOOD BOX to OVEN L=4.6 mt	a b c d e
8	RR000S2754	YCCBOX8	CAVO CONNESSIONE BOX - FORNO L=8,0mt.	CONNECTION CABLE HOOD BOX to OVEN L=8,0 mt	a b c d e
8	RR000CB942	YCCBOX8S	CAVO CONNESSIONE BOX - FORNO SLAVE STACK L=8,0mt	CONNECTION CABLE BOX to SLAVE OVEN STACK L=8,0mt	a b c d e
8	RR000PRQLT	YRV0018.C2	CABLAGGIO INTERFACCIA 4,6M PER REGOLATORE RIV1200EVO	INTERFACE WIRING HARNESS (4,60 MT) FOR RIV1200EVO CONTROLLER	f g m n
8	RR000TTLRI		CABLAGGIO INTERFACCIA 4,6M PER REGOLATORE RIV1200EVO	INTERFACE WIRING HARNESS (4,60 MT) FOR RIV1200EVO CONTROLLER	j k p q
9	RR000TTLRH	YRV0018.C1	CABLAGGIO INTERFACCIA 8M PER REGOLATORE RIV1200EVO	INTERFACE WIRING HARNESS (8MT) FOR RIV1200EVO CONTROLLER	h j k o p q
10	0543403V00	YC00060	GUARNIZIONE TENUTA	SEAL GASKET	a b c d e f g h j k p q
12	RR000TTMB1		CONDENSATORE ICAR 12,5 MF 450V	CAPACITOR ICAR 12,5 MF 450V	j k
12	RR000TTMB2		CONDENSATORE ICAR 12,5 MF 450V	CAPACITOR ICAR 12,5 MF 450V	p q



Pos	EPR Code	Alinox code	Descrizione	Description	Ref./Notes
22	RR000S2757	YLUVC04K	KIT 4 LAMPADE UVC L4 CON NR.1 CONF. GUANTI COTONE	KIT 4 UVC LAMP L4 WITH NR.1 PAIR OF COTTON GLOVES	a b c d e
23	RR000S2752	YCCBOX2	CAVO CONNESSIONE BOX-LAMPADA UVC L = 2mt. C/CONNETTORE GAYNOR	CONNECTION CABLE BOX-LAMP UVC L = 2mt. W/GAYNOR CONNECTOR	a b c d e
24	RR000CB945	HTIO249223	CATALIZZATORE TIO2 L4	FILTER CATALYST TIO2 L4	a b c d e
25	RR000S2756	YLUVC04	LAMPADA UVC 48W	UVC LAMP 48W	a b c d e



Pos	EPR Code	Alinox code	Descrizione	Description	Ref./Notes
46	RR000TTMB1	YC00010	CONDENSATORE DUCATI 8 μ F (PER CAPP A LIV.3 e 4)	CAPACITOR DUCATI 8 μ F (L3 AND L4 HOOD)	a b c d e h j k
46		YC00016	CONDENSATORE DUCATI 12,5 μ F 450V CON CAVETTI E FASTON (PER CAPP A LIV.2)	CAPACITOR DUCATI 12,5 μ F 450V WITH CABLES AND FASTONS (L2 HOOD)	n p q
47	RR000S2466	HRIV1200R01	REGOLATORE RIV1200 EVO COM- PLETO DI SCHEDA INTERFACCIA FORNO, SENZA CAVO DI SEGNALE (230V)	SPEED CONTROLLER RIV1200 EVO COMPLETE WITH OVEN INTERFACE BOARD, WITHOUT SIGNAL CABLE (230V)	f g h j k m n o p q
48	RR000S2749	YBOXEL4SC	SCHEDA ELETTRONICA CONTROLLO E COMUNICAZIONE CAPP A L4-FORNO	ELECTRONIC CONTROL BOARD AND COMMUNICATION L4 HOOD OVEN	a b c d e
49	RR000S2750	YBOXEL4BA	BALLAST PER CAPP A FORNO L4	BALLAST L4-FORNO	a b c d e
50	RR000S2751	YFN2090	FILTRO ANTIDISTURBO 50/60HZ. 250VDC 6A	LINE FILTER 50/60HZ. 250VDC 6A	a b c d e