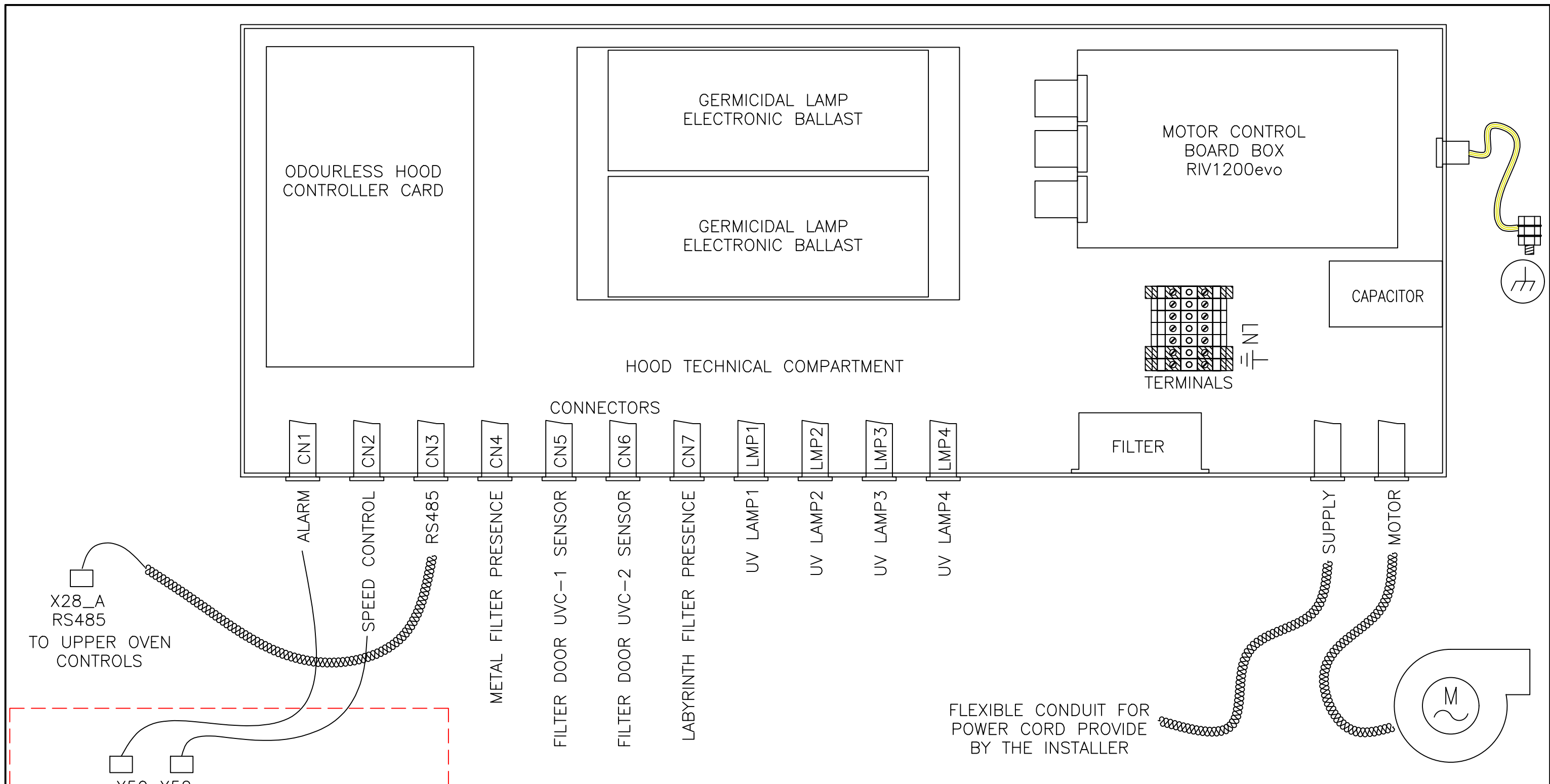




**MOD : AC/HV6-10CV-X**

**Production code : 922718**

**02/2026**



X50 X52  
 ALARM SPEED  
 CONTROL  
 TO LOWER OVEN CONTROLS

WITH OPTION  
 STACKING  
 2 OVENS

NR. SHEET	TITLE
1	TITLE PAGE
2	UNIFILAR / FUNCTIONAL DIAGRAM
3	WIRING DIAGRAM SUPPLY & MOTOR FAN
4	WIRING DIAGRAM INPUTS
5	WIRING DIAGRAM UV LAMPS 1 & 2
6	WIRING DIAGRAM UV LAMPS 3 & 4

RATED	SPECIFICATIONS
220 - 240 Vac	SUPPLY VOLTAGE
1,7 A	CURRENT max
383 W	POWER max
50 Hz	FREQUENCY

OVENS ODOURLESS SUCTION HOOD  
CAPPASPIRANTE ODORLESS PER FORNI

CUSTOMER ALINOX SRL

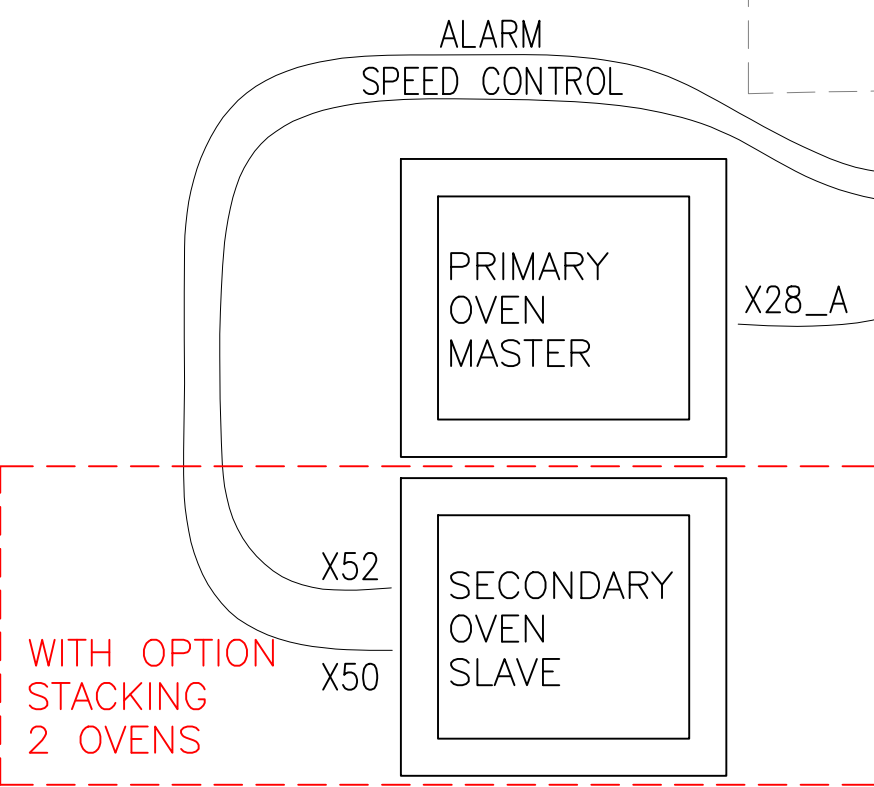
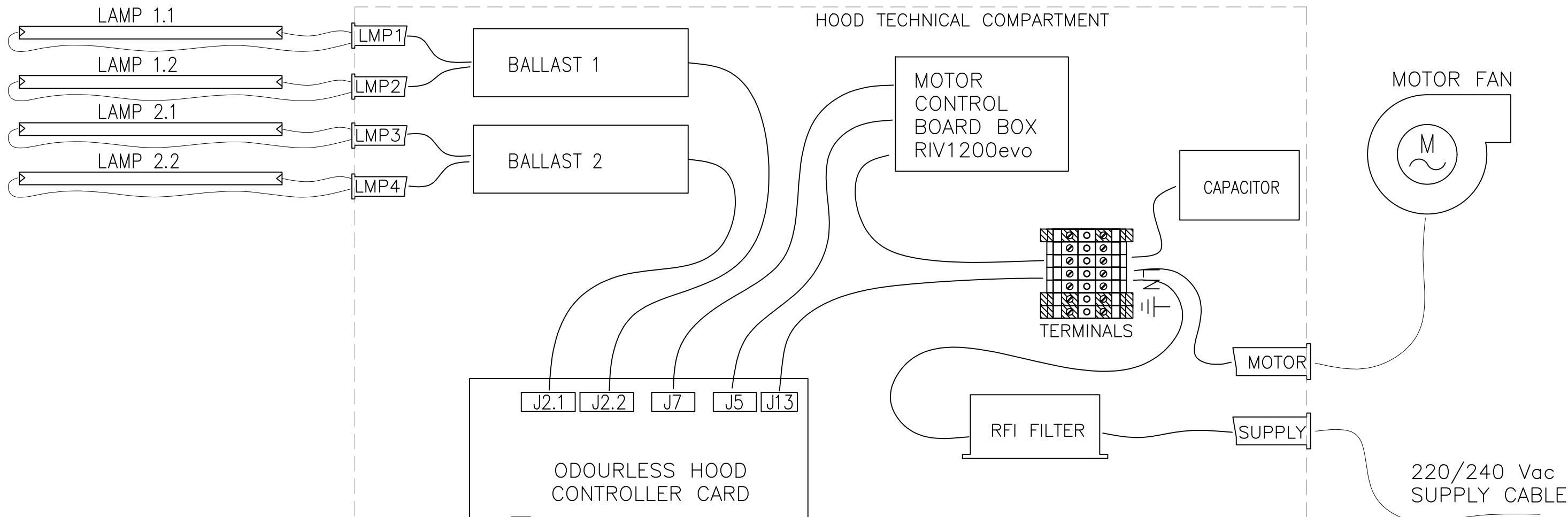
INSTALL. SITE \_\_\_\_\_ CUSTOMER ORDER \_\_\_\_\_ ORDER \_\_\_\_\_

NOTE ELECTRICAL DIAGRAM

SERIAL NO. 19 ALI KL4 383W\_ODO R04      MODEL no. 19 ALI KL4 383W ODO

date 12/05/2021      revision R.04      archive 19 ALI KL4 383W\_ODO R04.dwg      sheet 1

draw: PP.II.      sign \_\_\_\_\_      controlled \_\_\_\_\_      sign \_\_\_\_\_      tot.sheet6



Sign	Description 1	Description 2	Note	Position
-B01	METAL FILTER PRESENCE	REED SENSOR		4/I09
-B02	FILTER DOOR UVC-1	REED SENSOR		4/I11
-B03	FILTER DOOR UVC-2	REED SENSOR		4/I13
-B04	RESERVED FOR LABYRINTH FILTER	PRESENCE REED SENSOR		4/I14
-BL1	BALLAST 1	IN 100-277 Vac		5/D06
-BL2	BALLAST 2	IN 100-277 Vac		6/D06
-E01	UV LAMP			5/I03
-E02	UV LAMP			5/J03
-E03	UV LAMP			6/I03
-E04	UV LAMP			6/J03
-KD1	ODOURLESS HOOD CONTROLLER CARD			3/A01
-KD1	ODOURLESS HOOD CONTROLLER CARD			4/A01
-KD1	ODOURLESS HOOD CONTROLLER CARD			5/A01
-KD1	ODOURLESS HOOD CONTROLLER CARD			6/A01
-KD2	MOTOR CONTROL BOARD	RIV1200evo		3/I05
-M1	MOTOR FAN	1N/230Vac/383W/50Hz		3/G05
-V01	RFI FILTER	250Vac 50Hz 6A		3/F01
-X28_A	SPEED CONTROL CONNECTOR	CONNETTORE CONTROLLO VELOCITA'		4/I07
-X50	ALARM CONNECTOR	CONNETTORE ALLARME		4/I01
-X52	SPEED CONTROL CONNECTOR	CONNETTORE CONTROLLO VELOCITA'		4/I04

PLANT	SUCTION HOOD FOR OVEN	TITLE	UNIFILAR / FUNCTIONAL DIAGRAM	DRAWER	PP.II.	DRA.	N.KL4 383W_ODO ARCH. N.	SHEET	2	NEXT	3
REV.	CHANGE	DATE	SIGNATURE	DIAGRAM	COSTUMER	SIGNATURE	DATE	TOT. SHEETS	6		
				19 ALI KL4 383W_ODO R04			12/05/2021	SCALE			

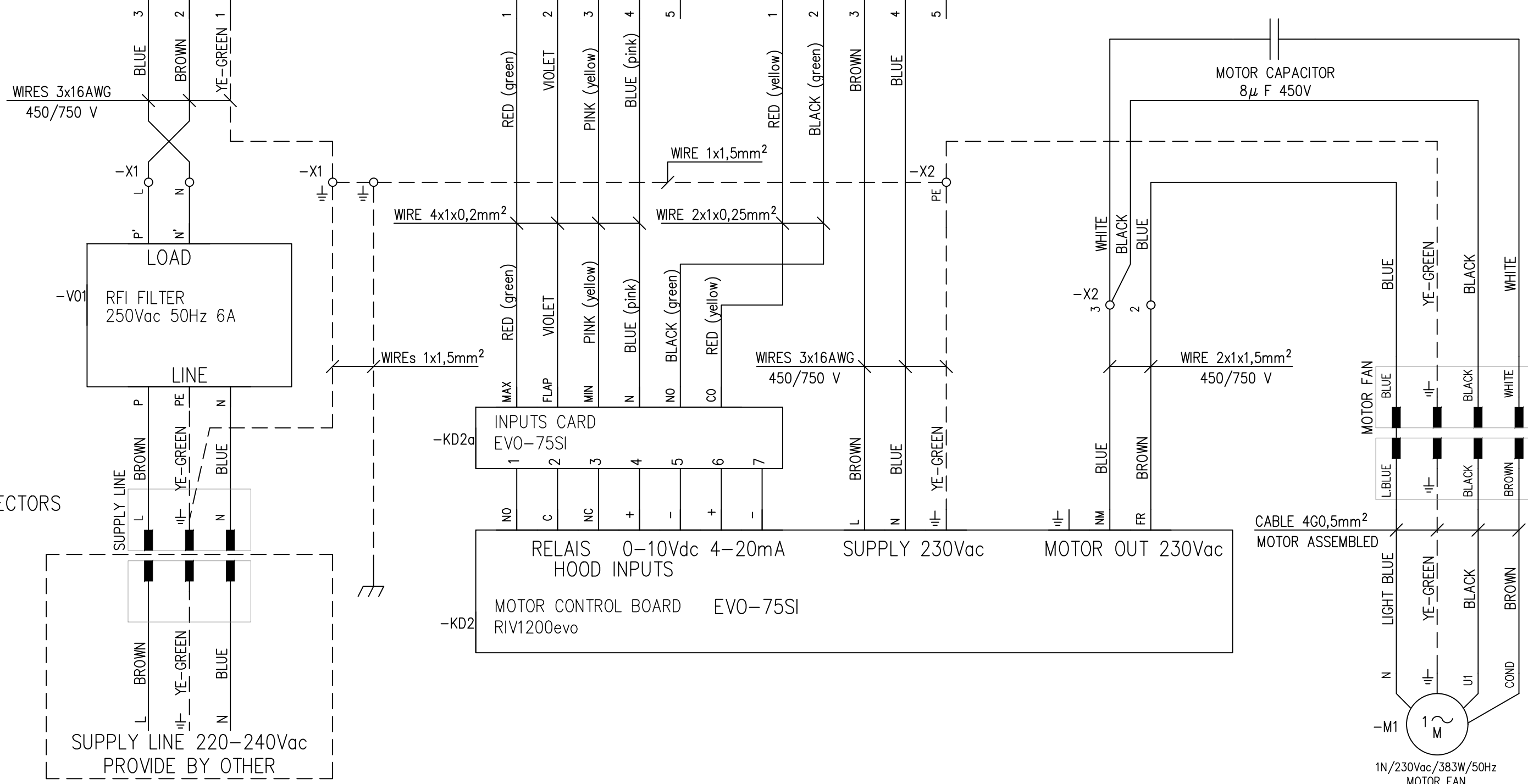
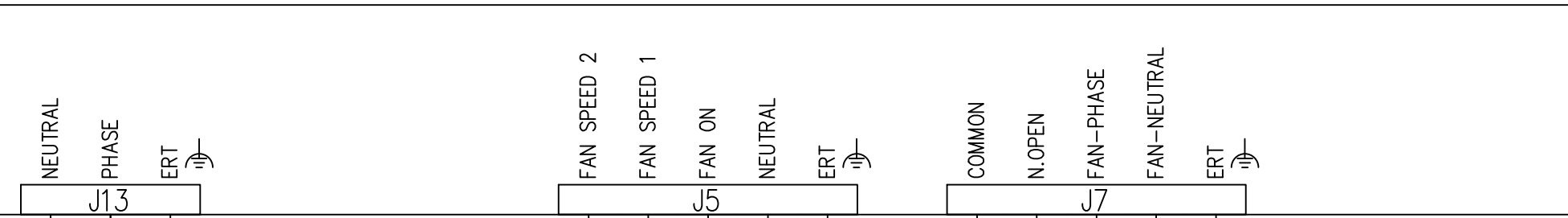
It is not permitted to deliver to third parties or reproduce this document, nor use the content or otherwise make it known to third parties without our written authorization. According to the law every infraction entails the compensation of the damages suffered. All rights deriving from patents or models are reserved.

EQUIPMENT FUNCTION

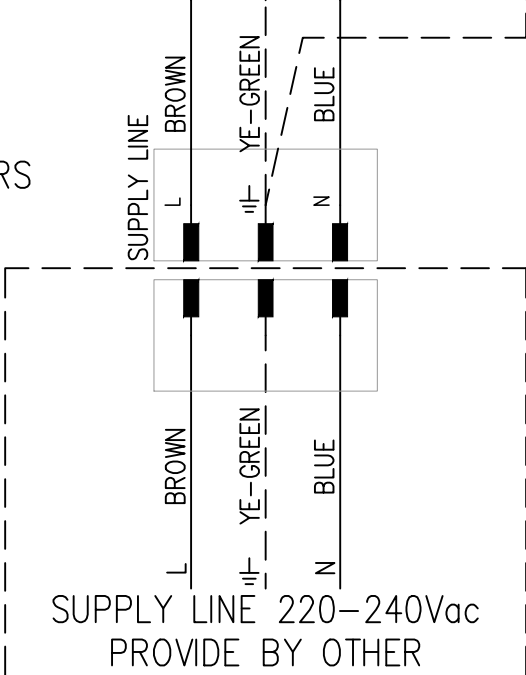
-KD1 ODOURLESS HOOD CONTROLLER CARD

POWER SUPPLY 230 Vac TO MOTOR CONTROL BOARD 3GP SYSTEM

TERMINAL FUNCTION  
CARD CONNECTORS

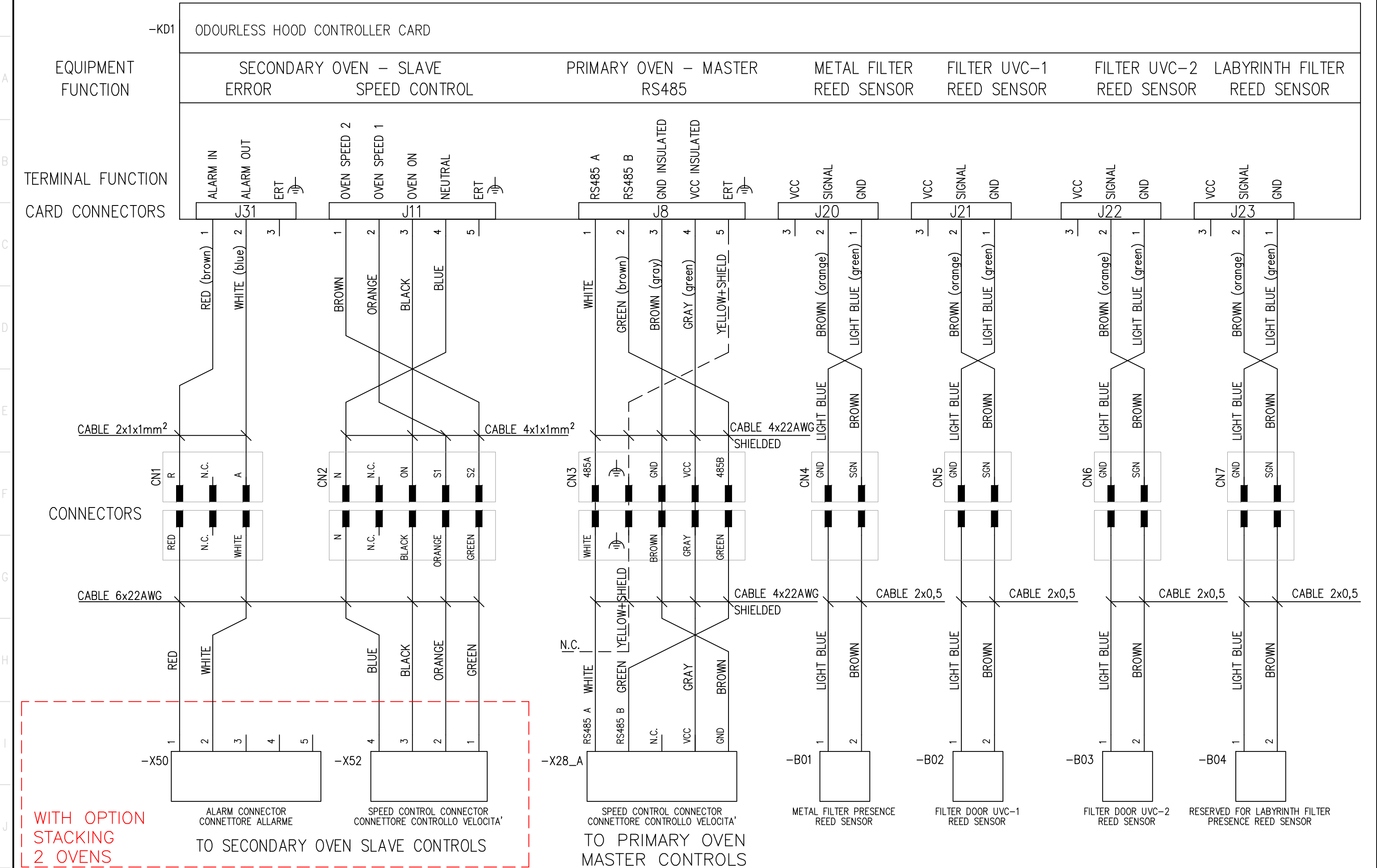


CONNECTORS



PLANT	SUCTION HOOD FOR OVEN	TITLE	WIRING DIAGRAM SUPPLY & MOTOR FAN	DRAWER	PP.II.	DRA. N.	KL4 383W_ODO	SHEET	3	NEXT	4
DIAGRAM	19 ALI KL4 383W_ODO R04	COSTUMER		SIGNATURE		DATE	12/05/2021	TOT. SHEETS	6		
REV.	CHANGE	DATE	SIGNATURE			SCALE					

A  
B  
C  
D  
E  
F  
G  
H  
I  
J

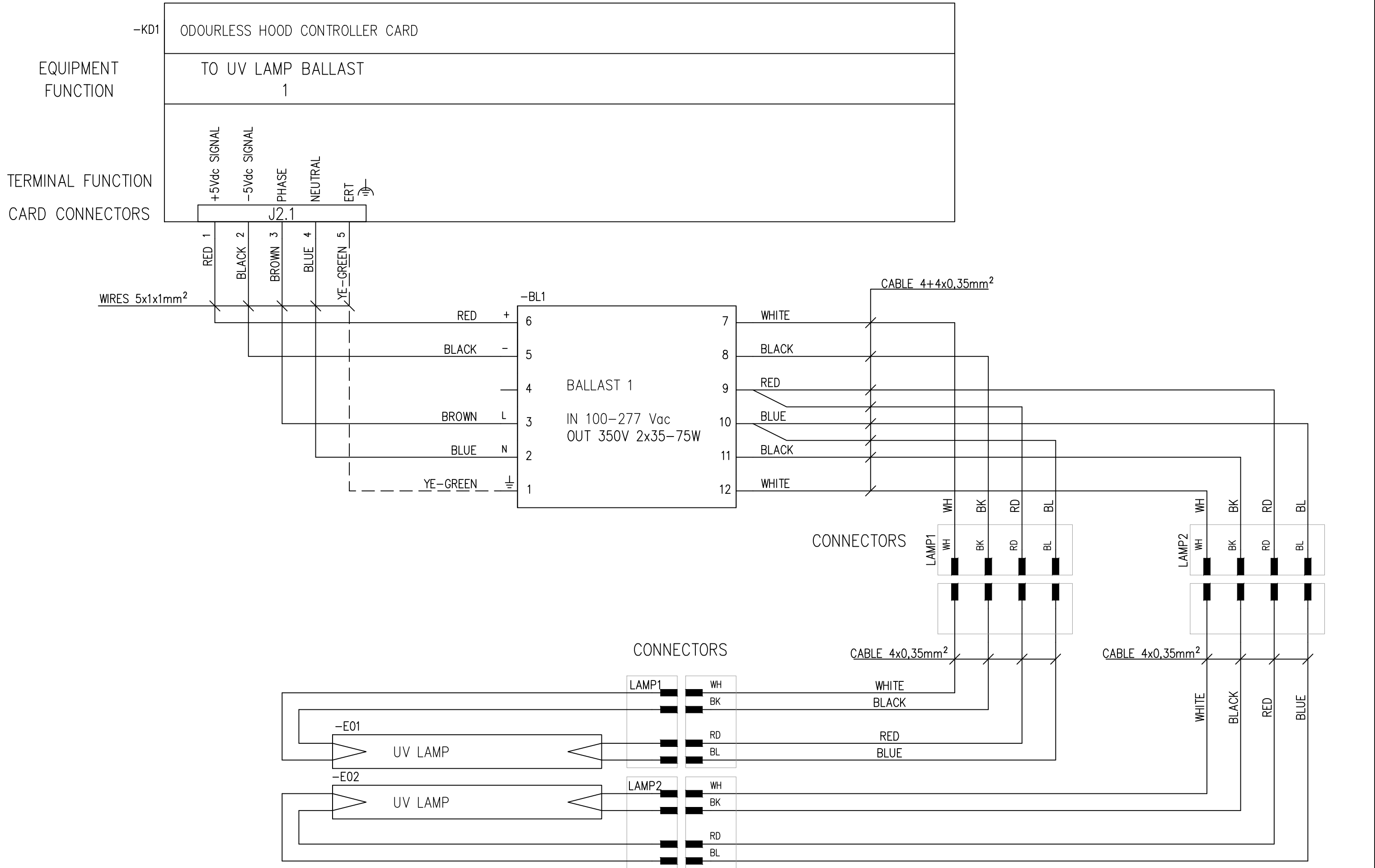


WITH OPTION  
STACKING  
2 OVENS

TO SECONDARY OVEN SLAVE CONTROLS

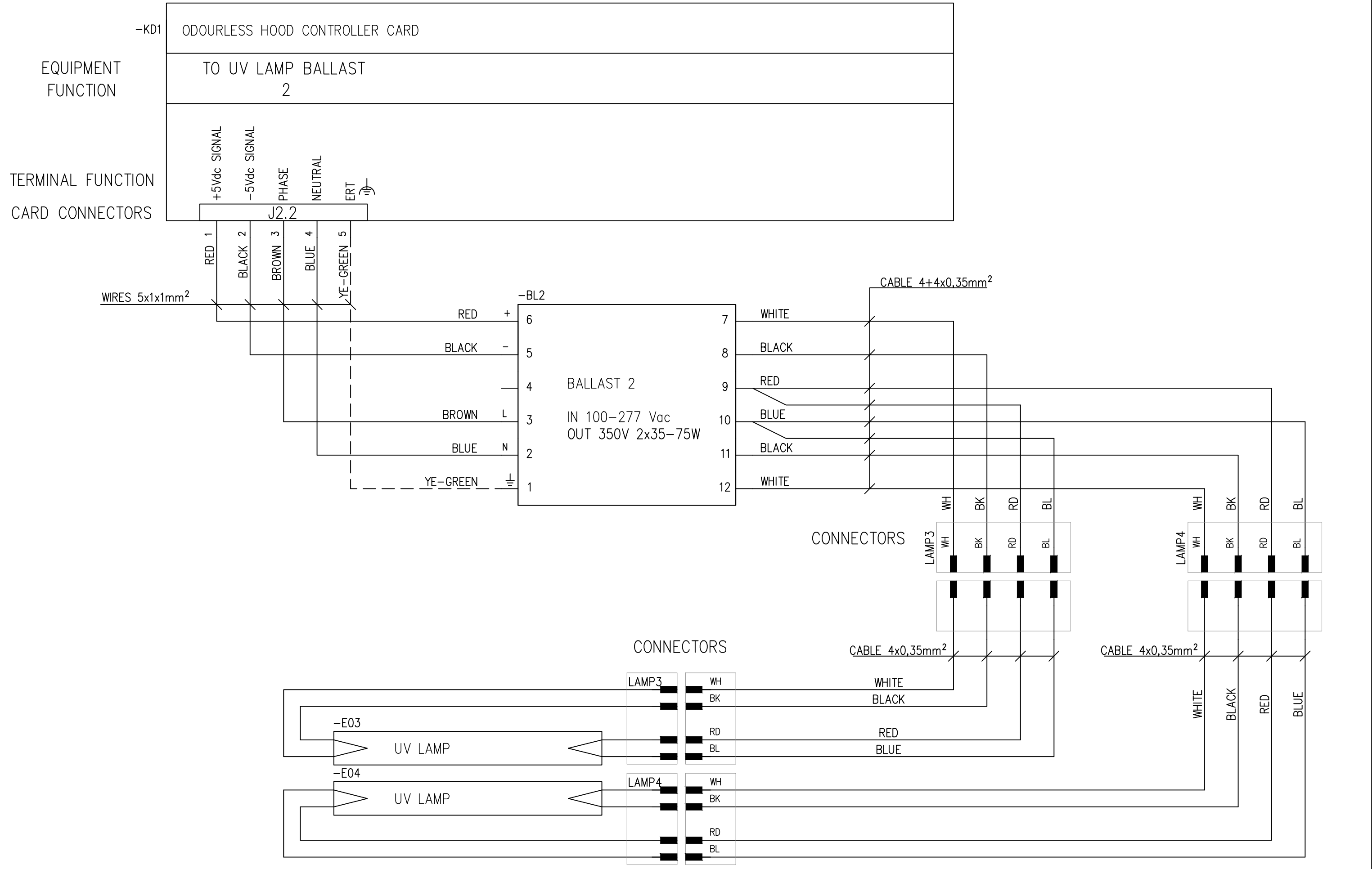
PLANT	SUCTION HOOD FOR OVEN	TITLE	WIRING DIAGRAM INPUTS	DRAWER	PP.II.	DRA. N.	KL4 383W_ODO	SHEET	4	NEXT	5
REV.	CHANGE	DATE	SIGNATURE	DIAGRAM	19 ALI KL4 383W_ODO R04	COSTUMER	SIGNATURE	DATE	12/05/2021	TOT. SHEETS	6

A  
B  
C  
D  
E  
F  
G  
H  
I  
J



PLANT	SUCTION HOOD FOR OVEN	TITLE	WIRING DIAGRAM UV LAMPS 1 & 2	DRAWER	PP.II.	DRA. N.	KL4 383W_ODO	SHEET	5	NEXT	6
REV.	CHANGE	DATE	SIGNATURE	DIAGRAM	19 ALI KL4 383W_ODO R04	COSTUMER	SIGNATURE	DATE	12/05/2021	TOT. SHEETS	6
								SCALE			

A  
B  
C  
D  
E  
F  
G  
H  
I  
J



REV.	CHANGE	DATE	SIGNATURE	PLANT	SUCTION HOOD FOR OVEN	TITLE	WIRING DIAGRAM UV LAMPS 3 & 4	DRAWER	PP.II.	DRA. N.	KL4 383W_ODO	SHEET	6	NEXT
						DIAGRAM	COSTUMER	SIGNATURE		DATE	12/05/2021	TOT. SHEETS	6	
						19 ALI KL4 383W_ODO R04				SCALE			6	