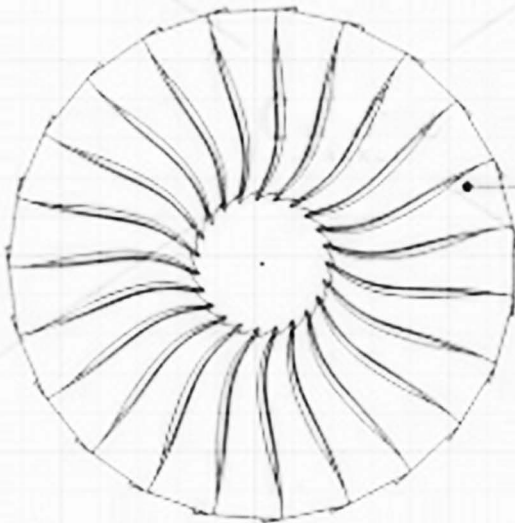
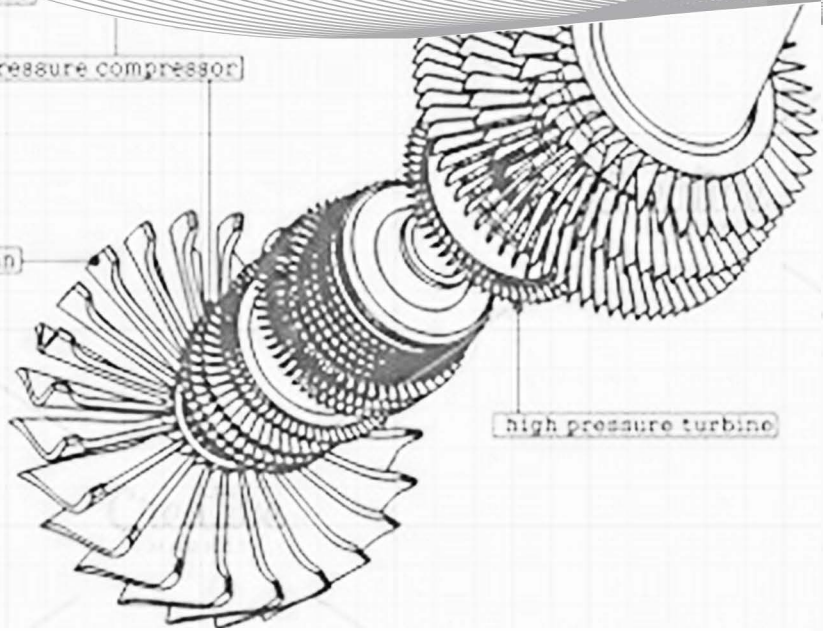


high pressure compressor

low pressure compressor



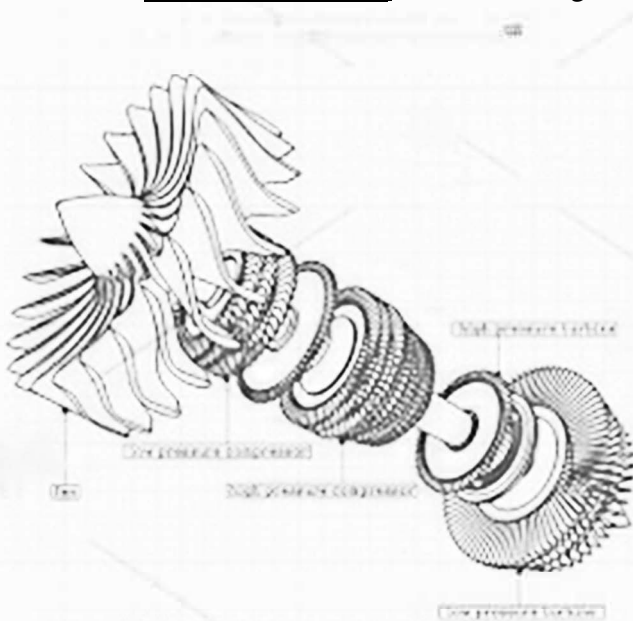
fan



high pressure turbine

MOD : WR-GV64-41

Production code : T10(IRON grid)

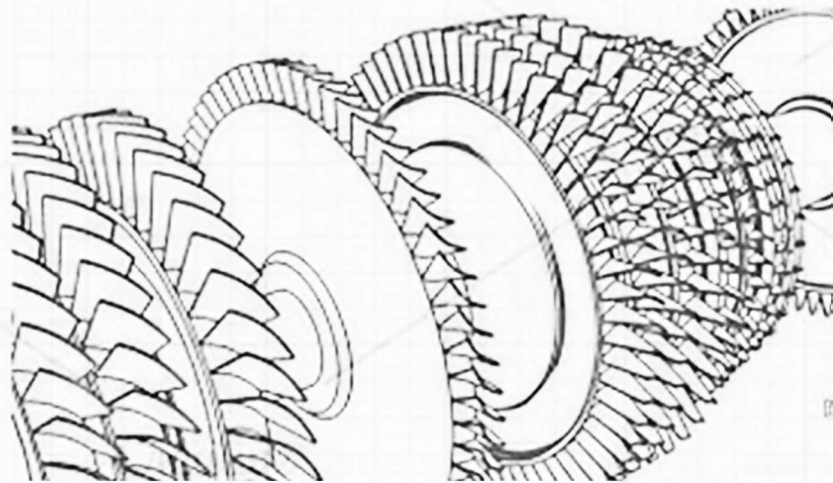


high pressure turbine

low pressure compressor

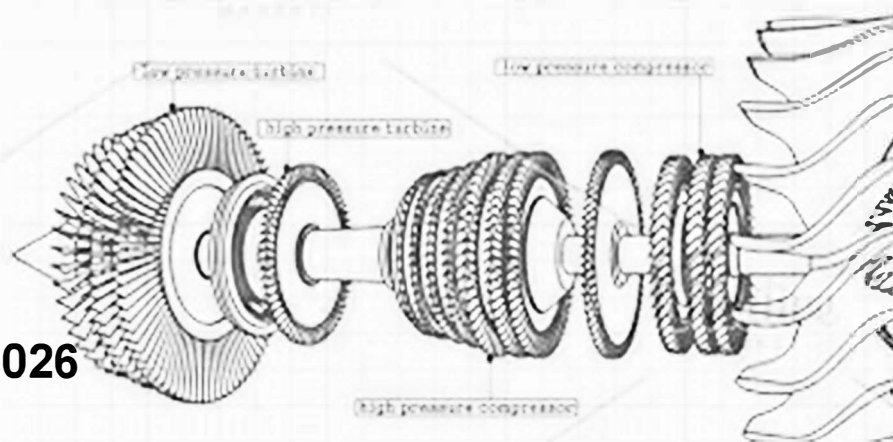
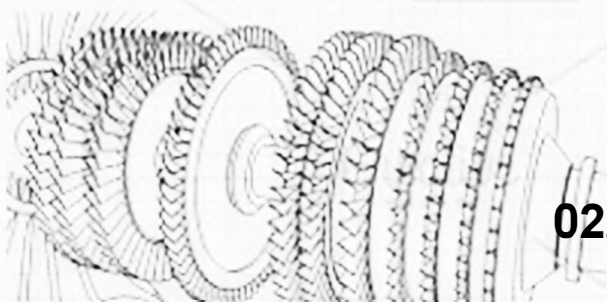
high pressure compressor

low pressure turbine



low pressure turbine

low pressure compressor



high pressure compressor

Water Gas Grill

MODEL	DESCRIPTION	Pos.
WR-GV64-41 / WR-GV67-77	Pilot	11+13
WR-GV64-41 / WR-GV67-77	Thermocaplou	12
WR-GV64-41 / WR-GV67-77	Spark ignition	8
WR-GV64-41 / WR-GV67-77	Piezzoelectri Ignition	15+16
WR-GV64-41 / WR-GV67-77	Cable for Piezzoelctric Ignition	10
WR-GV64-41 / WR-GV67-77	Burner	25
WR-GV64-41 / WR-GV67-77	Gas Valve con cavaloto	21
WR-GV64-41 / WR-GV67-77	burner cover	30
WR-GV64-41 / WR-GV67-77	Nozzle LPG	29
WR-GV64-41 / WR-GV67-77	Base for Nozzle	18+19
WR-GV64-41 / WR-GV67-77	Regulate Feet support	17
WR-GV64-41 / WR-GV67-77	Water Drawer	27
WR-GV64-41 / WR-GV67-77	Base for Water Drawer	26
WR-GV64-41 / WR-GV67-77	Gas Supply tube	24
WR-GV64-41 / WR-GV67-77	Fume outlet	2
WR-GV64-41 / WR-GV67-77	Sec.Position for burner cover	14

