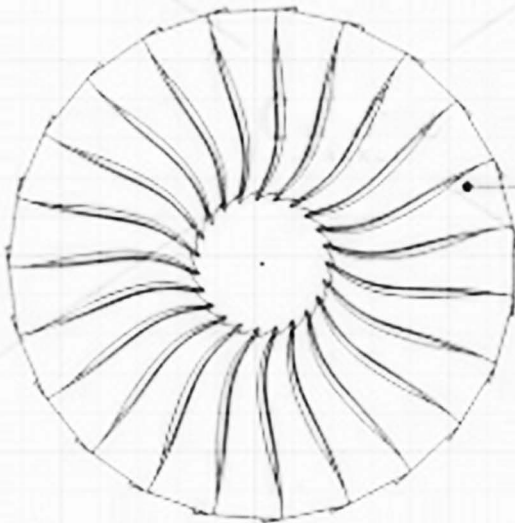
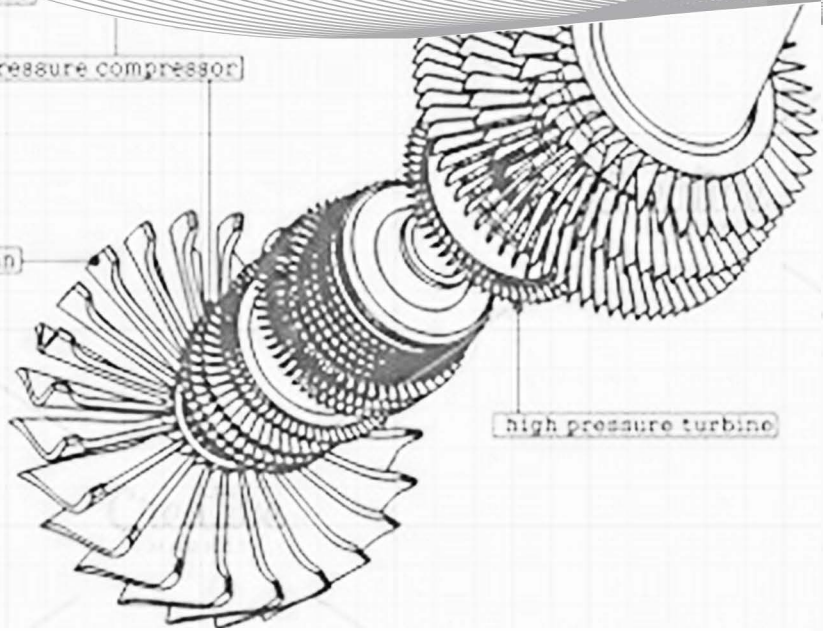


high pressure compressor

low pressure compressor



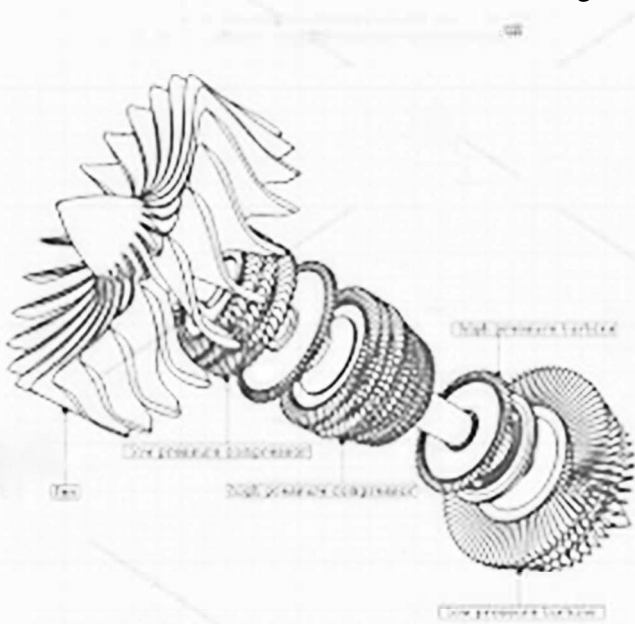
fan



high pressure turbine

MOD : WR-GCVS-49

Production code : HS1(INOX grid)

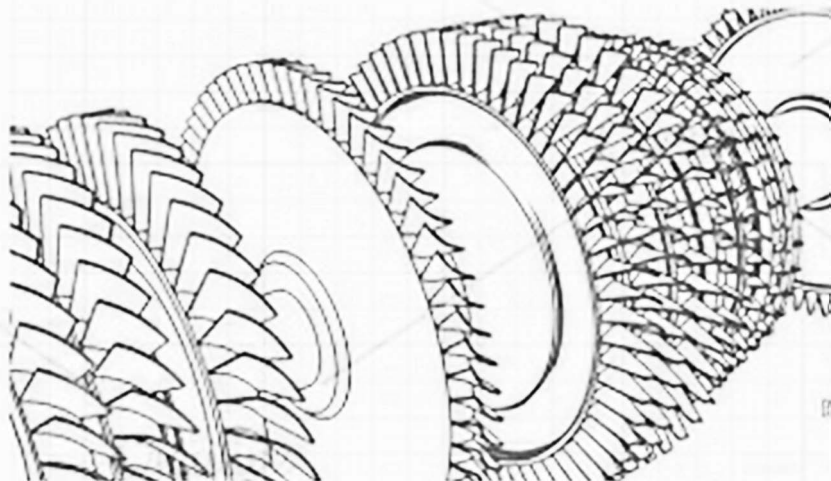


high pressure turbine

low pressure compressor

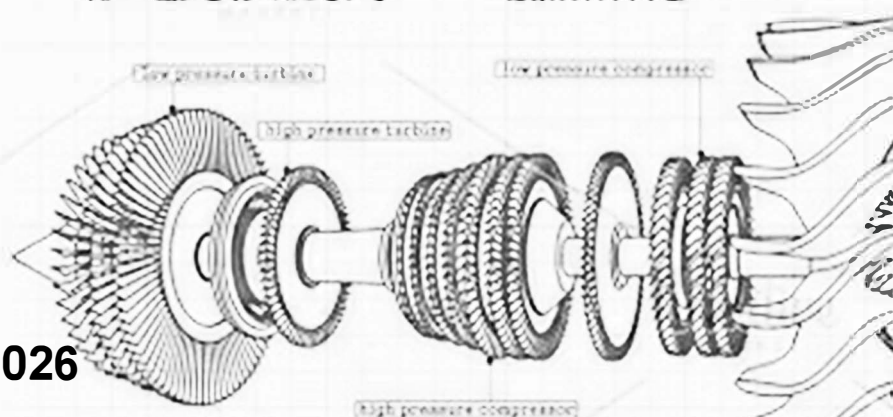
high pressure compressor

low pressure turbine



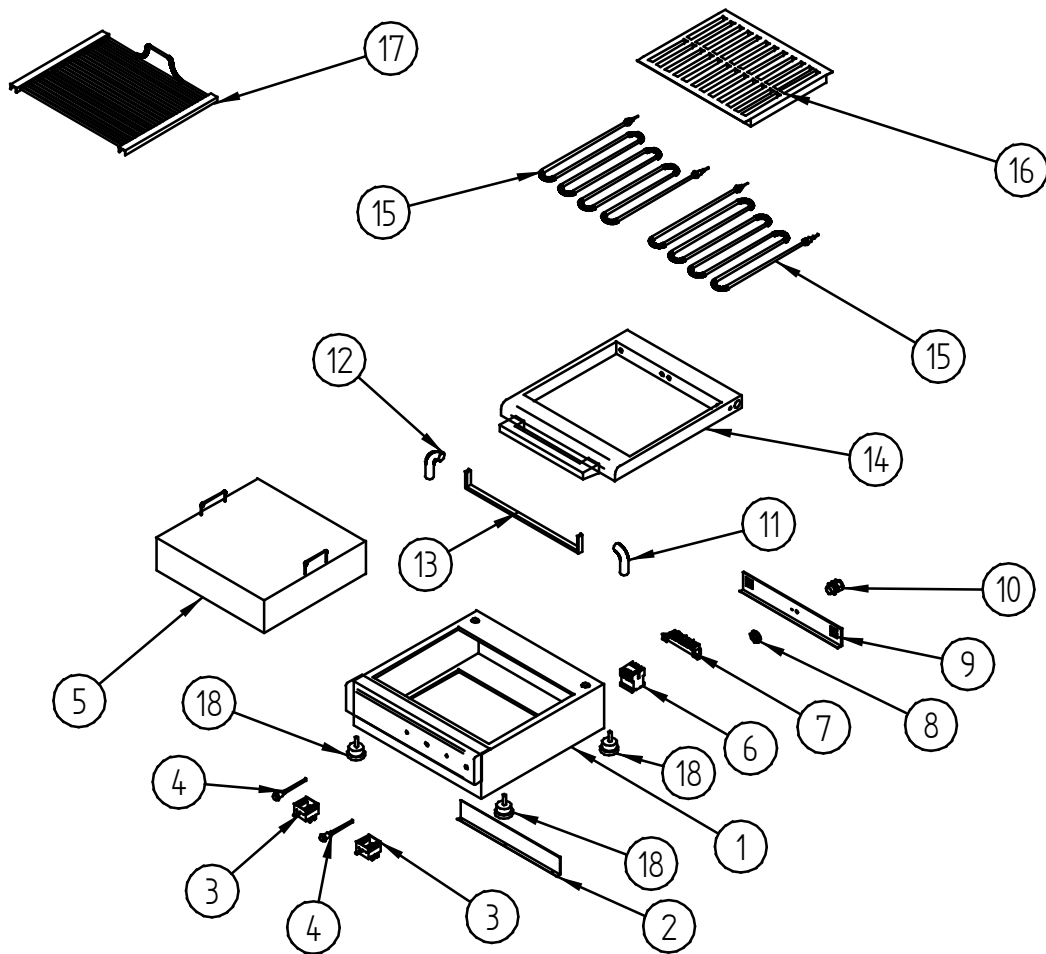
low pressure turbine

low pressure compressor



high pressure turbine

high pressure compressor



GB	ELECTRIC WATER GRILL WR-GCVS-49
No	DESCRIPTION
1	Body
2	Internal cover
3	Energy Regulator
4	Indicating Lamp
5	Water Tank
6	Relay
7	Gland for Supply Cord
8	Nut
9	Back Cover
10	Connector strip
11	Right side base for grill's rotation
12	Left side base for grill's rotation
13	Base for grill's support
14	Frame of grill
15	Heating Element
16	Cast Iron cooking surface
17	S/S cooking surface
18	Supporting Feet