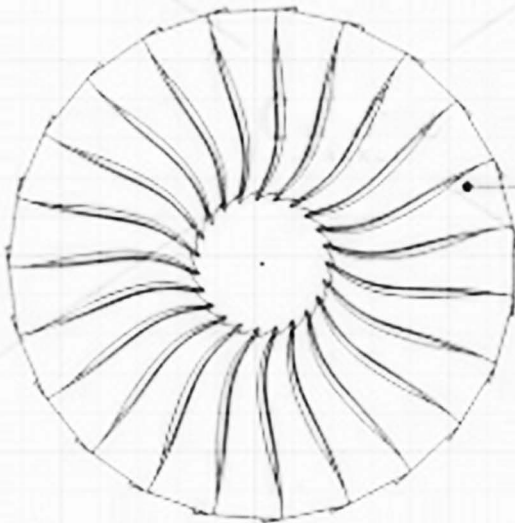
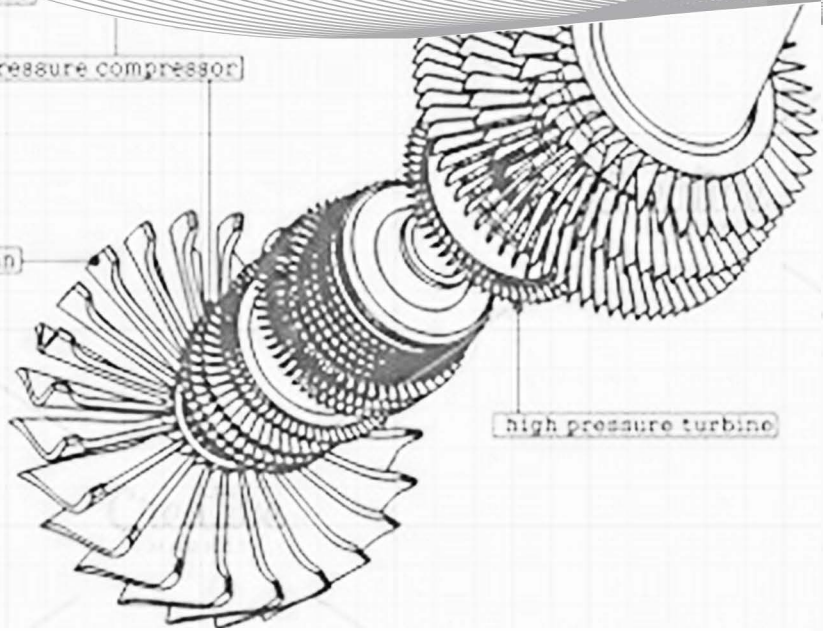


high pressure compressor

low pressure compressor



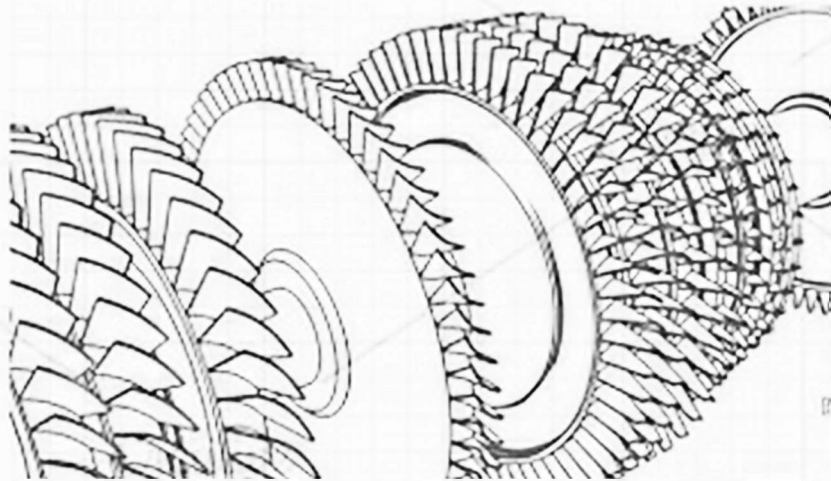
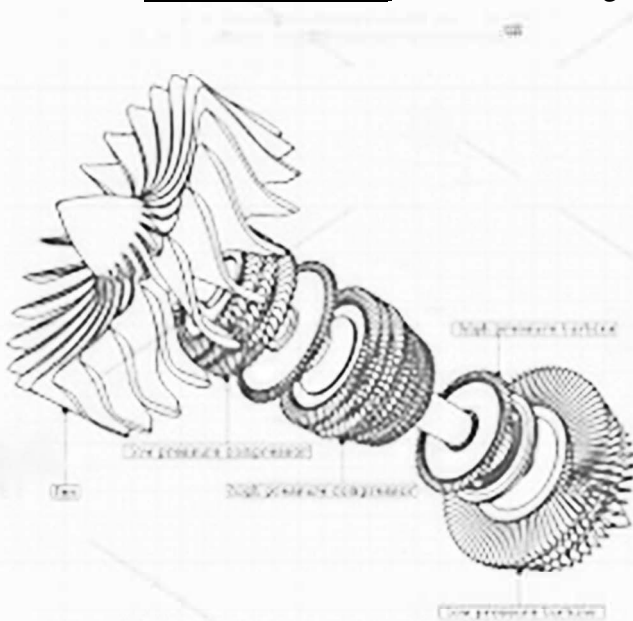
fan



high pressure turbine

MOD : WR-GCVM-70

Production code : HS1/2(INOX grid)



fan

low pressure compressor

high pressure compressor

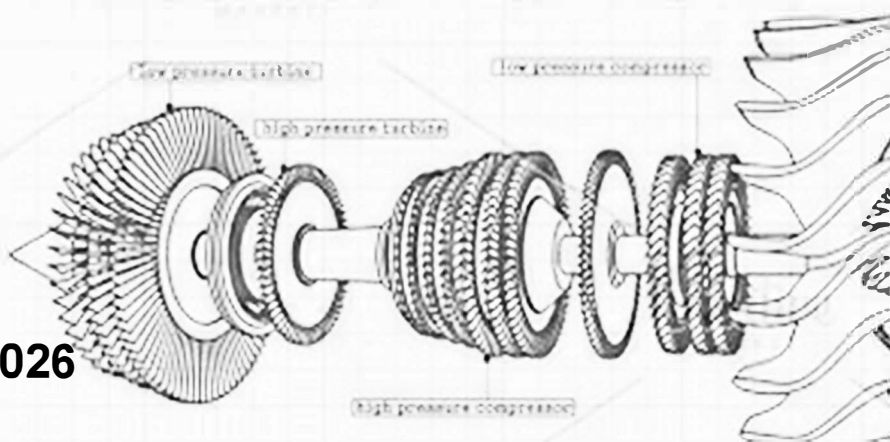
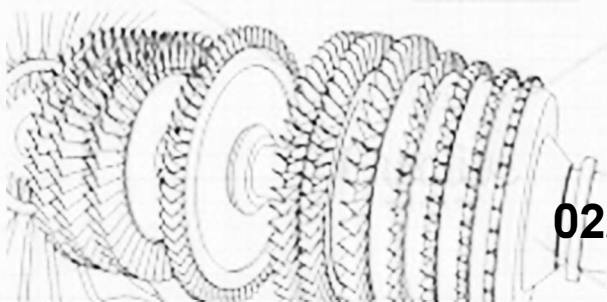
high pressure turbine

low pressure turbine

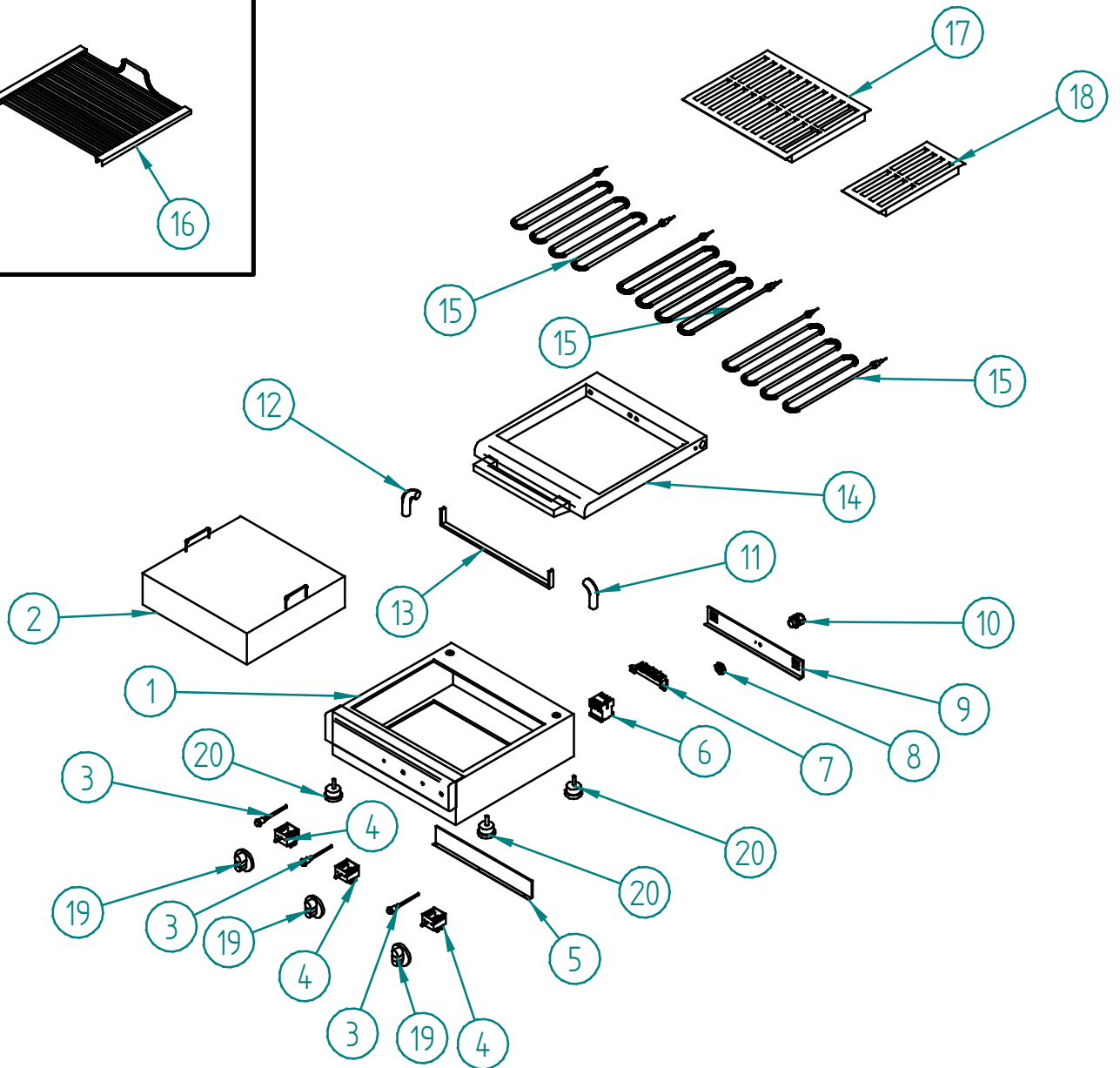
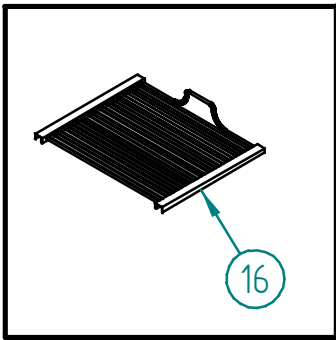
low pressure turbine

low pressure compressor

high pressure turbine



high pressure compressor





ELECTRIC WATER GRILL WR-GCVM-70

DESCRIPTION

- 1) Main Body
- 2) Water Basin
- 3) Indicating Lamp
- 4) Zemenstat(Switch)
- 5) Internal Cover
- 6) Relay
- 7) Connector Strip
- 8) Nut
- 9) Back Cover
- 10) Gland for Supply Cord
- 11) Right hand Base for Grid's Rotation
- 12) Left hand Base for Grid's Rotation
- 13) Base for Grid's Support
- 14) Frame of Grid
- 15) Heating Element
- 16) Stainless Steel Grid
- 17) Cast Iron Grid
- 18) Cast Iron Grid
- 19) Zemenstat's Knob
- 20) Supporting Feet