



MOD : WR-MINI-R1

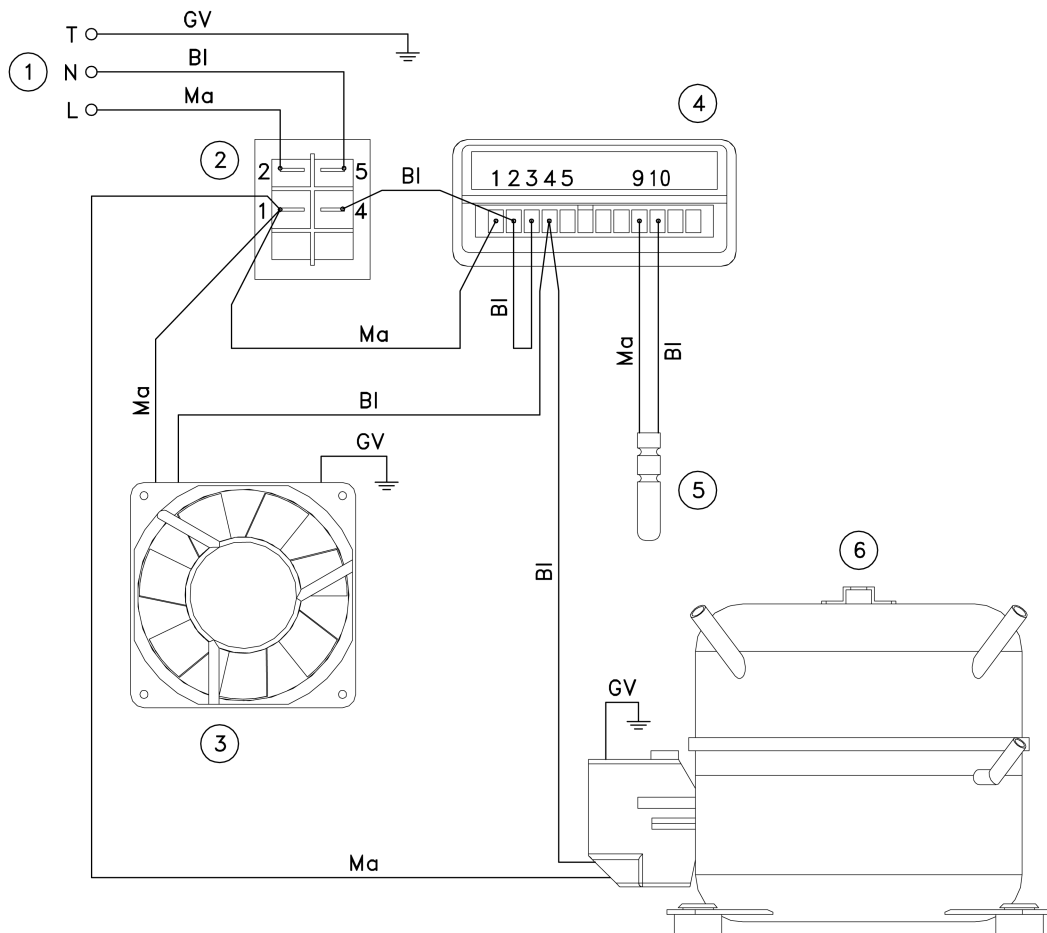
Production code : MINI_

08/2025

WIRING DIAGRAMS

TC0035-R00

Bl	Blue
GV	Yellow/Green
Ma	Brown



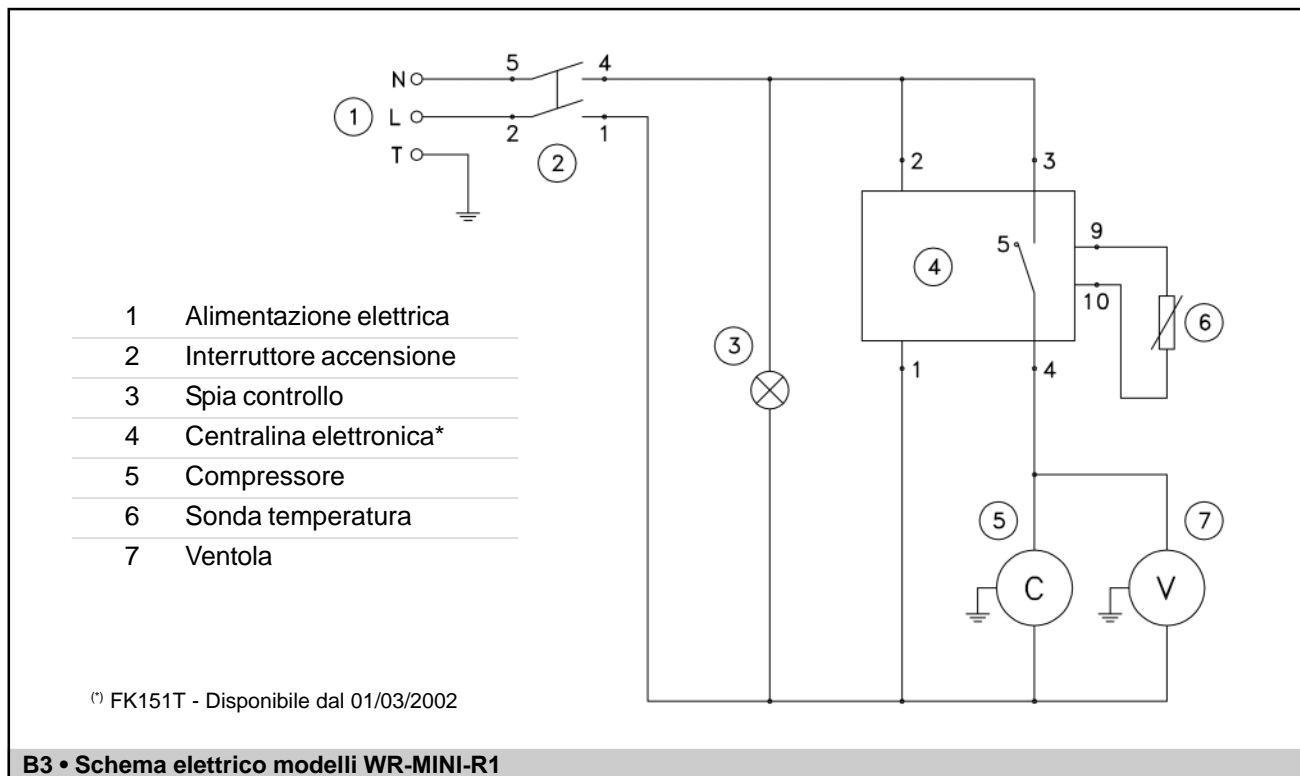
- | | |
|---|-------------------------|
| 1 | Electrical power supply |
| 2 | Power switch |
| 3 | Fan |

- | | |
|---|--------------------------|
| 4 | Electronic control unit* |
| 5 | Temperature probe |
| 6 | Compressor |

(*) FK151T - Available as of 01/03/2002

Multiwire wiring diagram WR-MINI-R1

B • SCHEMI ELETTRICI



B3 • Schema elettrico modelli WR-MINI-R1