



**MOD : WR-GATR-R3**

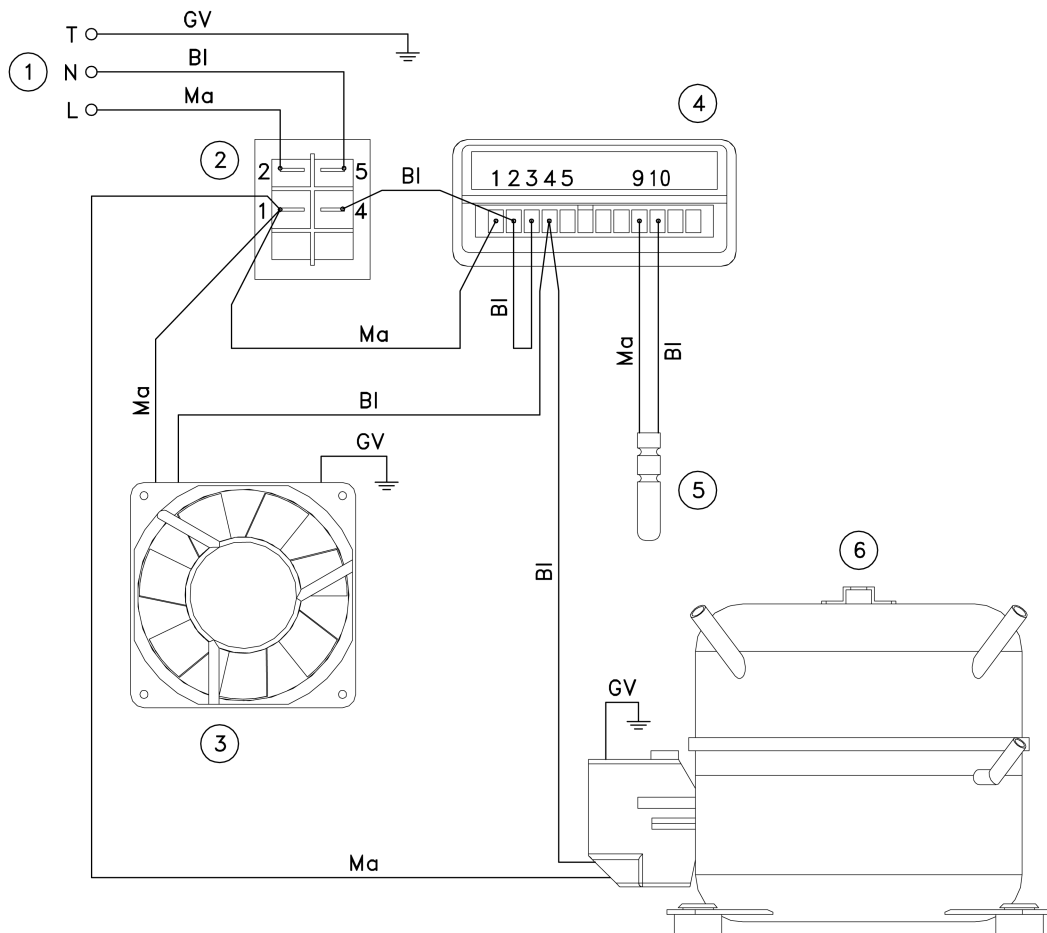
**Production code : GASTRO\_**

**08/2025**

# WIRING DIAGRAMS

TC0035-R00

Bl	Blue
GV	Yellow/Green
Ma	Brown



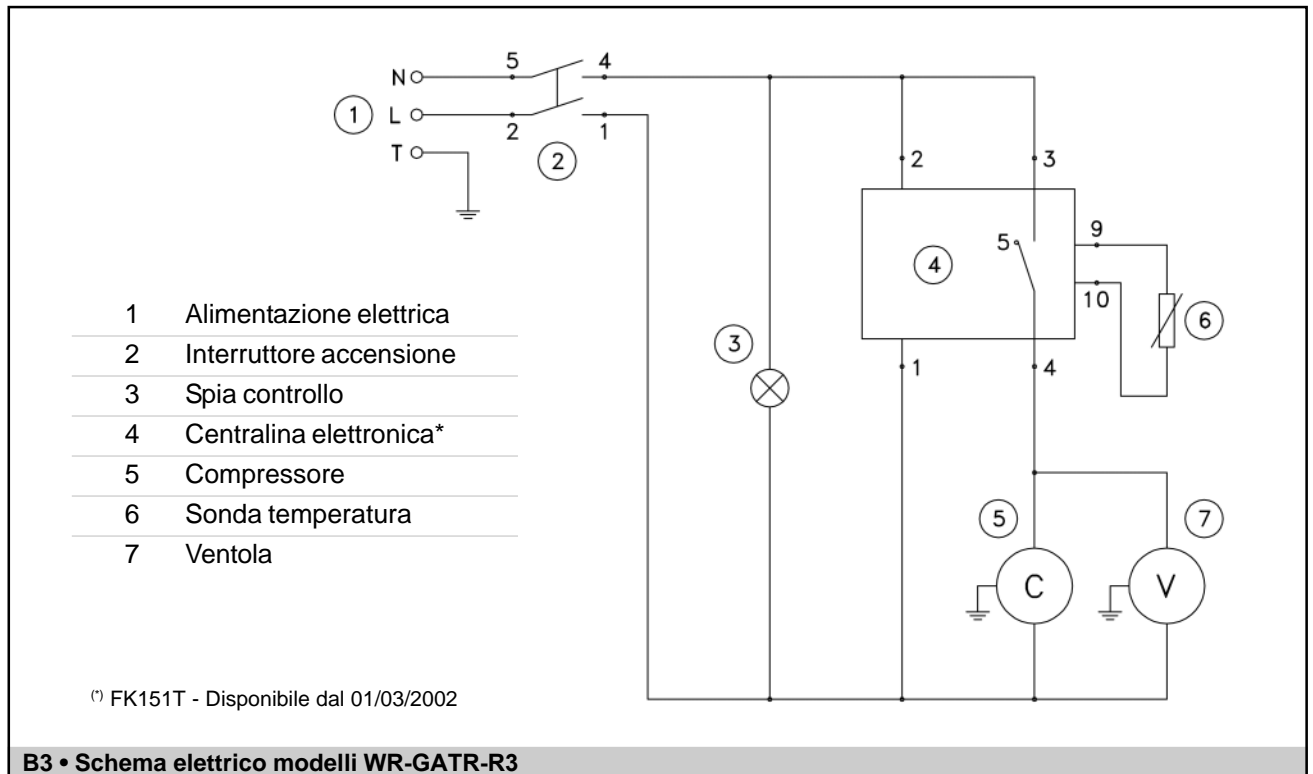
- |   |                         |
|---|-------------------------|
| 1 | Electrical power supply |
| 2 | Power switch            |
| 3 | Fan                     |

- |   |                          |
|---|--------------------------|
| 4 | Electronic control unit* |
| 5 | Temperature probe        |
| 6 | Compressor               |

(\*) FK151T - Available as of 01/03/2002

Multiwire wiring diagram WR-GATR-R3

## B • SCHEMI ELETTRICI



**B3 • Schema elettrico modelli WR-GATR-R3**