



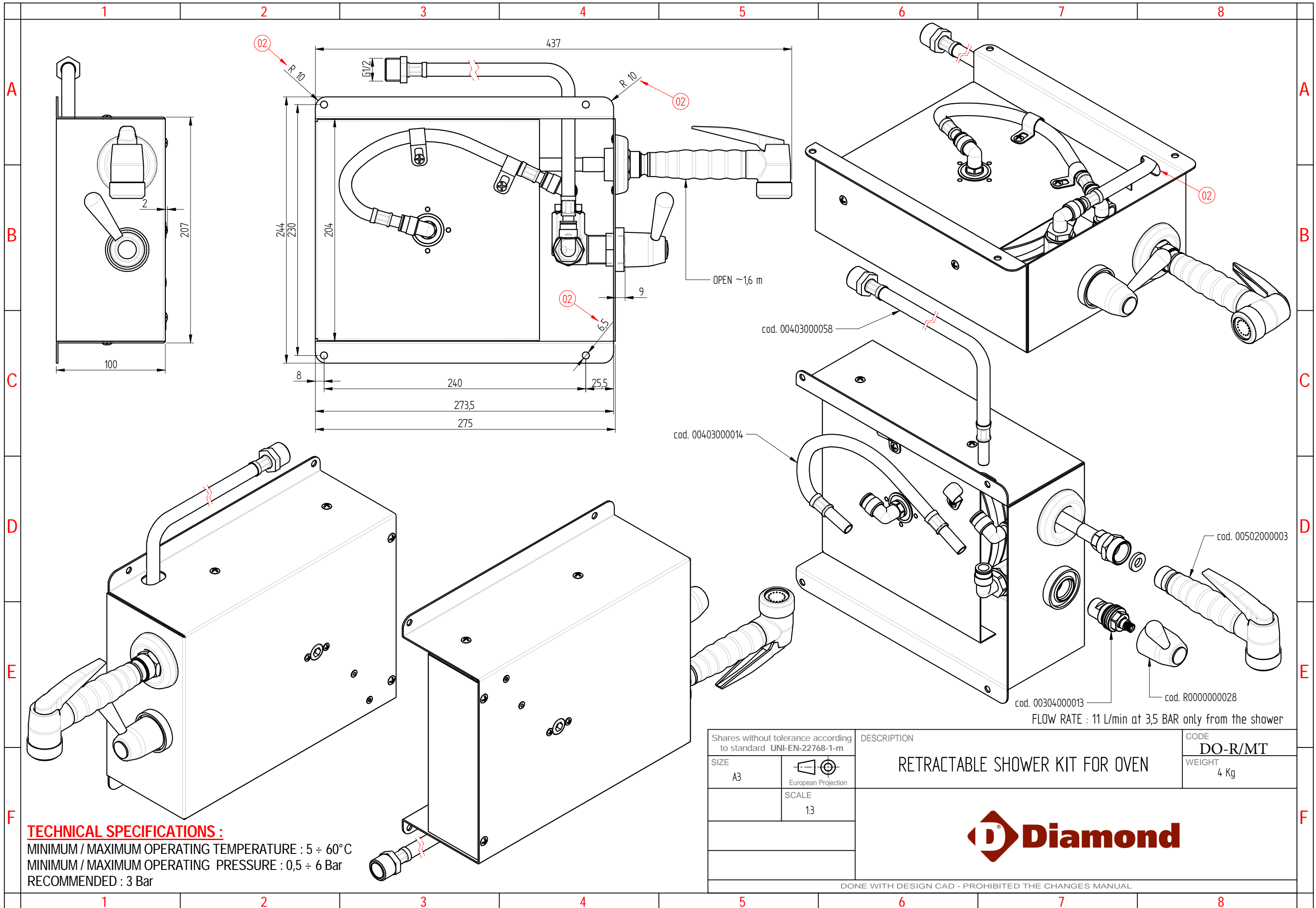
MOD : DO-R/MT

Production code : SR00000023

Jet engine compressor drawings

Creative
MARKET

12/2025



TECHNICAL SPECIFICATIONS :

MINIMUM / MAXIMUM OPERATING TEMPERATURE : 5 ÷ 60°C
 MINIMUM / MAXIMUM OPERATING PRESSURE : 0,5 ÷ 6 Bar
 RECOMMENDED : 3 Bar

Shares without tolerance according to standard UNI-EN-22768-1-m		DESCRIPTION	CODE
SIZE	 European Projection	RETRACTABLE SHOWER KIT FOR OVEN	DO-R/MT
A3			WEIGHT
	SCALE		4 Kg
	13		



DONE WITH DESIGN CAD - PROHIBITED THE CHANGES MANUAL