



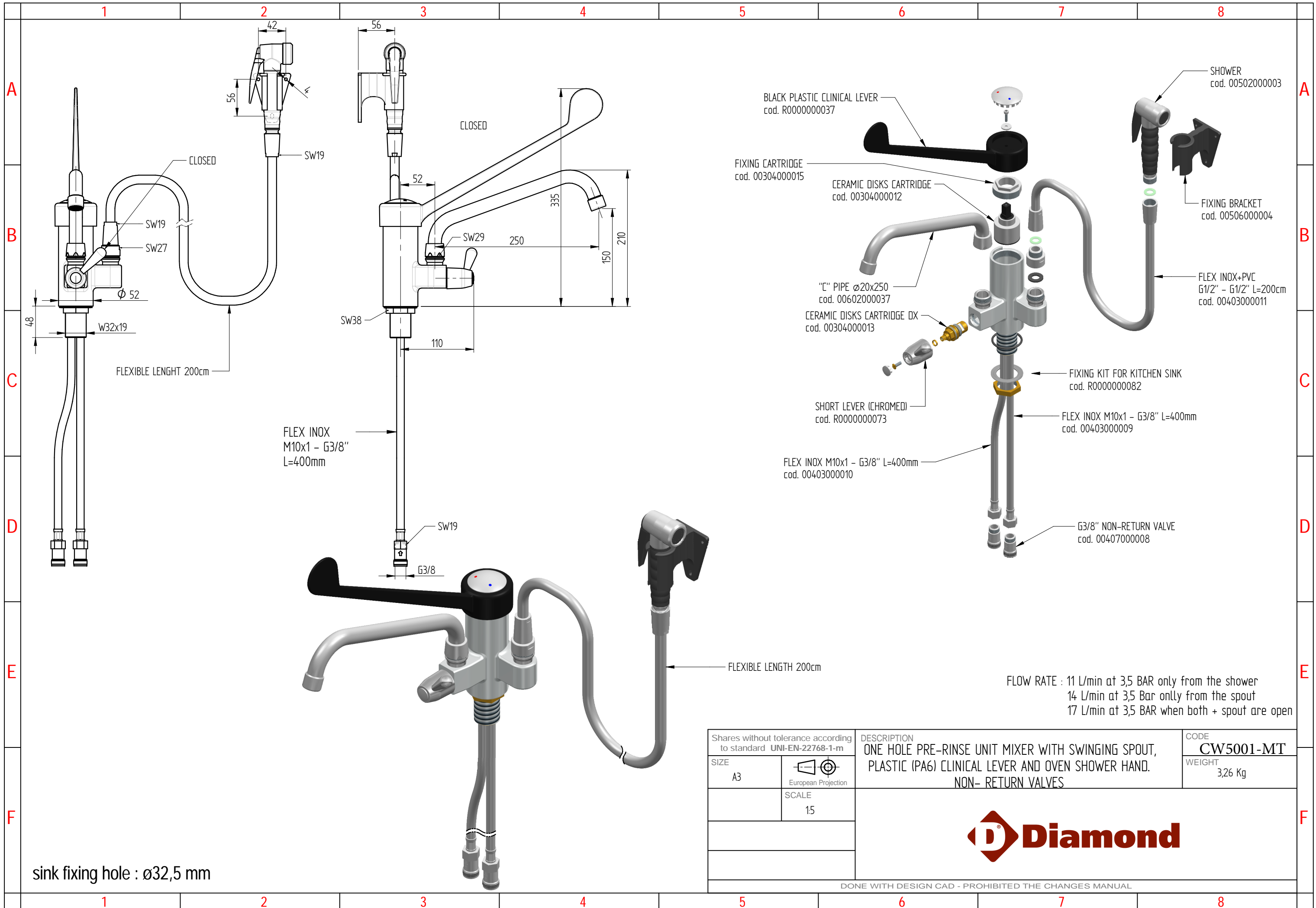
MOD : CW5001-MT

Production code : R02B1020265

Jet engine compressor drawings

Creative
MARKET

02/2026



A

B

C

D

E

F

A

B

C

D

E

F

1

2

3

4

5

6

7

8

CLOSED

CLOSED

FLEXIBLE LENGHT 200cm

FLEX INOX
M10x1 - G3/8"
L=400mm

BLACK PLASTIC CLINICAL LEVER
cod. R000000037

FIXING CARTRIDGE
cod. 00304000015

CERAMIC DISKS CARTRIDGE
cod. 00304000012

"C" PIPE ø20x250
cod. 00602000037

CERAMIC DISKS CARTRIDGE OX
cod. 00304000013

SHORT LEVER (CHROMED)
cod. R0000000073

FLEX INOX M10x1 - G3/8" L=400mm
cod. 00403000010

FLEX INOX+PVC
G1/2" - G1/2" L=200cm
cod. 00403000011

FIXING KIT FOR KITCHEN SINK
cod. R0000000082

FLEX INOX M10x1 - G3/8" L=400mm
cod. 00403000009

G3/8" NON-RETURN VALVE
cod. 00407000008

SHOWER
cod. 00502000003

FIXING BRACKET
cod. 00506000004

FLOW RATE : 11 L/min at 3,5 BAR only from the shower
14 L/min at 3,5 Bar only from the spout
17 L/min at 3,5 BAR when both + spout are open

Shares without tolerance according to standard UNI-EN-22768-1-m		DESCRIPTION ONE HOLE PRE-RINSE UNIT MIXER WITH SWINGING SPOUT, PLASTIC (PA6) CLINICAL LEVER AND OVEN SHOWER HAND. NON- RETURN VALVES	CODE CW5001-MT
SIZE A3	European Projection		WEIGHT 3,26 Kg
SCALE 15			



DONE WITH DESIGN CAD - PROHIBITED THE CHANGES MANUAL

sink fixing hole : ø32,5 mm