



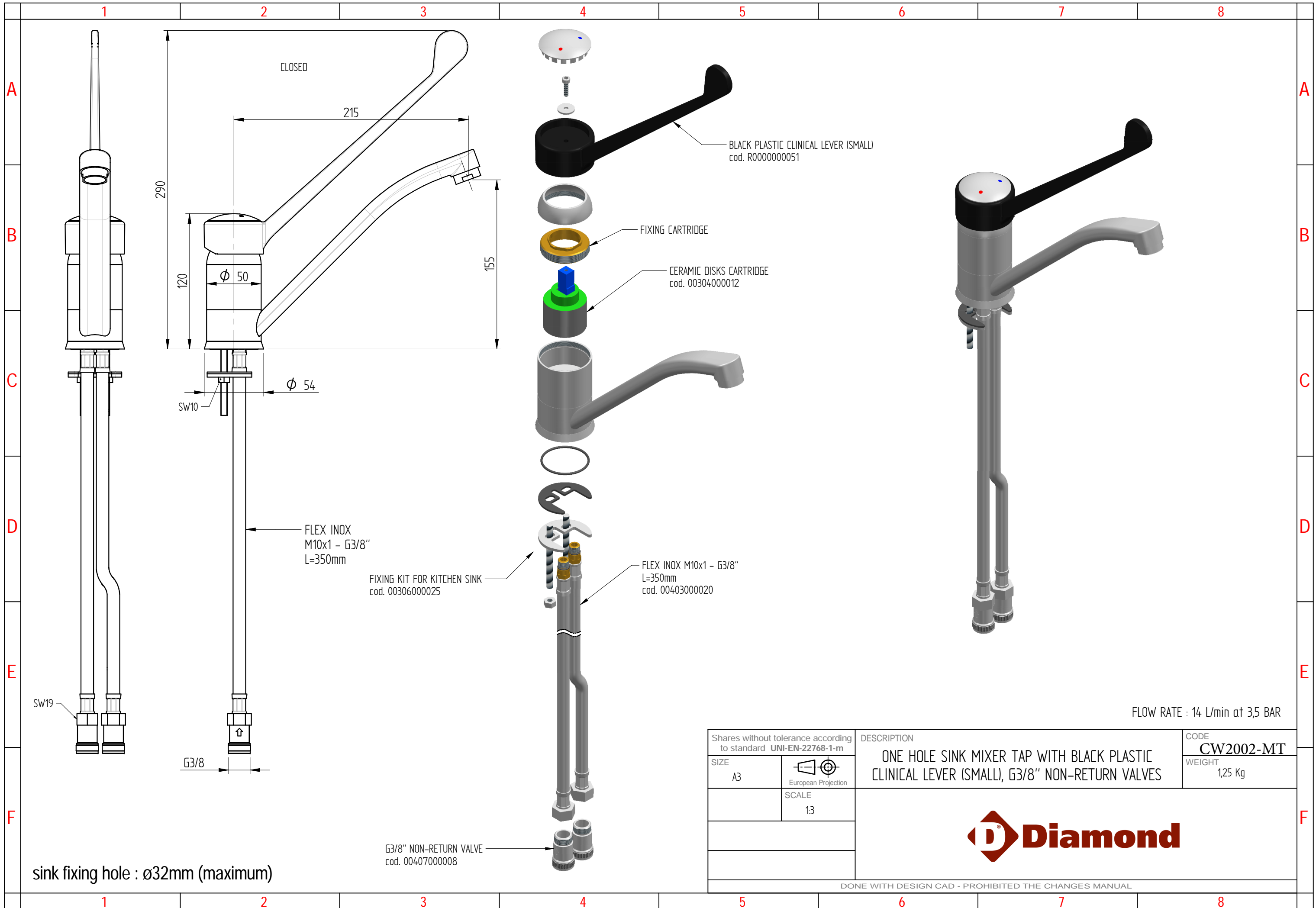
MOD : CW2001-MT

Production code : R01B1020236

Jet engine compressor drawings

Creative
MARKET

12/2025



A

B

C

D

E

F

A

B

C

D

E

F

1

2

3

4

5

6

7

8

CLOSED

215

290

120

φ 50

155

φ 54

SW10

FLEX INOX
M10x1 - G3/8"
L=350mm

FIXING KIT FOR KITCHEN SINK
cod. 00306000025

FLEX INOX M10x1 - G3/8"
L=350mm
cod. 00403000020

BLACK PLASTIC CLINICAL LEVER (SMALL)
cod. R0000000051

FIXING CARTRIDGE

CERAMIC DISKS CARTRIDGE
cod. 00304000012

SW19

G3/8

FLOW RATE : 14 L/min at 3,5 BAR

Shares without tolerance according to standard UNI-EN-22768-1-m		DESCRIPTION ONE HOLE SINK MIXER TAP WITH BLACK PLASTIC CLINICAL LEVER (SMALL), G3/8" NON-RETURN VALVES	CODE CW2002-MT
SIZE A3	European Projection		WEIGHT 1,25 Kg
SCALE 13			



DONE WITH DESIGN CAD - PROHIBITED THE CHANGES MANUAL

sink fixing hole : φ32mm (maximum)

G3/8" NON-RETURN VALVE
cod. 00407000008