



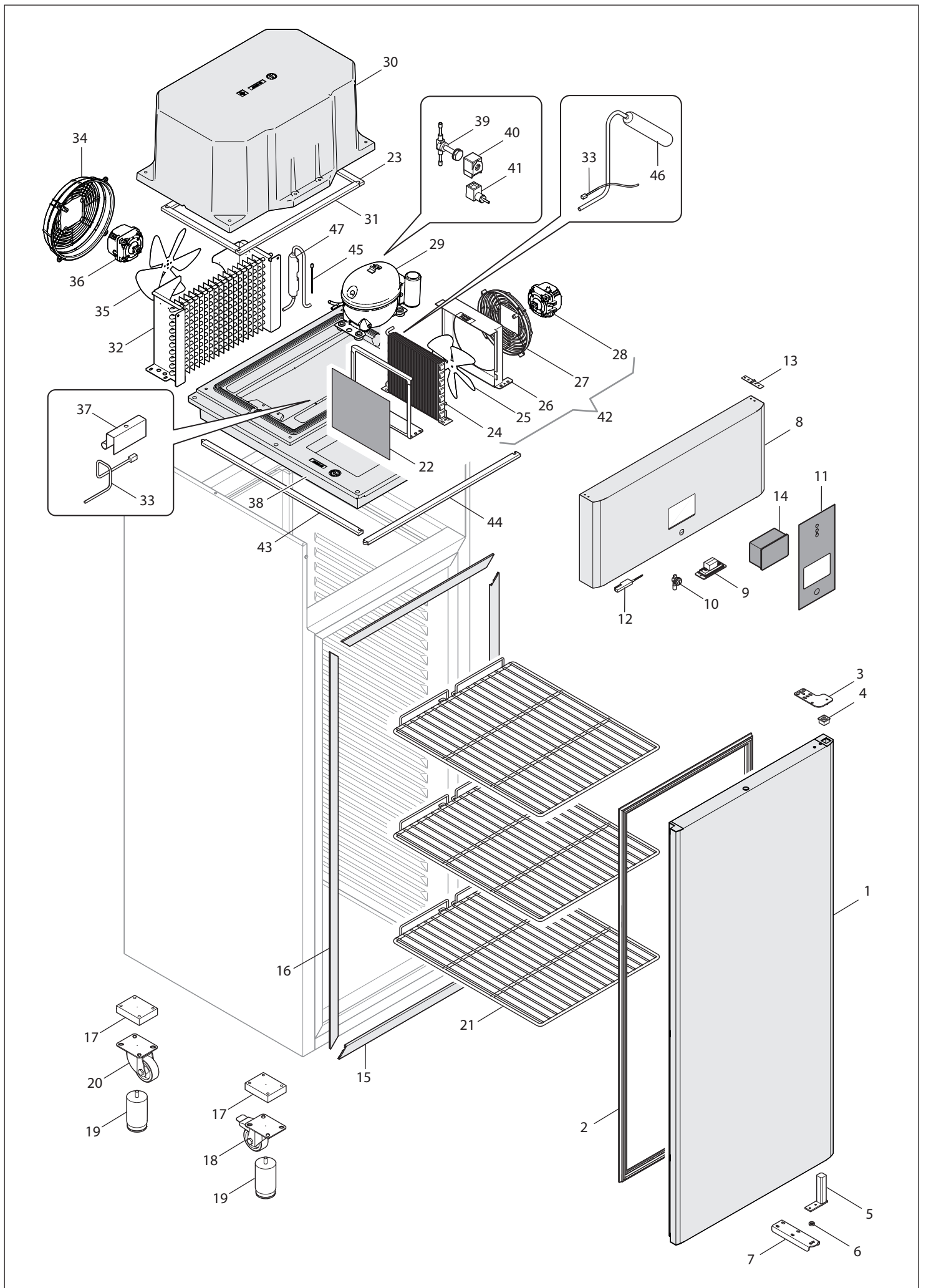
# **MOD : AE1P/PL1**

**Production code : AEF7X2501-DM**

Jet engine compressor drawings

Creative  
MARKET

**09/2025**



No.	CODE	DESCRIPTION	VOLT. / FREQ.	VALIDITY DATE
1	44386	EVOLUTION MOULDED SIDES CABINET DOOR ASSEMBLY		
2	40777	1/1 MOULDED SIDE DOOR SEAL		
3	37663	TOP RH HINGE		
3	37664	TOP LH HINGE		
4	37655	PIVOT HOLDING LOCK		
5	37654	PIVOT HOLDING HINGE		
6	38181	WASHER Ø10.5x17		
7	37656	BOTTOM HINGE		
8	44535	EVOLUTION MOULDED SIDES PANEL ASSEMBLY [EVJ]		
9	40607	LED SPOTLIGHT	230V 50/60Hz	
10	26447	BOX LOCK		
11	44388	EVOLUTION CABINET MEMBRANE		
12	18762	MAGNETIC MICRO		
13	28045	BOOK HINGE 80x17		
14	44399	EVJ215 THERMOSTAT	230V	
15	40534	HORIZ. PROFILE COVER MOULDED SIDES		
16	40418	BODY VERTICAL PROFILE COVER		
17	25523	POLYETHYLENE PLINTH 100x80x25 x WHEELS 80		
18	27720	Ø80 STAINLESS STEEL WHEEL WITH BRAKE		
18	26512	Ø80 GALVANIZED WHEEL WITH BRAKE		
19	34540	STAINLESS STEEL FOOT 115/165 M10x20		
19	34541	ABS FOOT 115/165 M10x20		
20	27719	Ø80 STAINLESS STEEL WHEEL		
20	26511	Ø80 GALVANIZED WHEEL		
21	30199	2/1 GASTRONOMY PLASTIC GRILLE WITH LOCK		
22	39858	Ø200 CAPACITOR FILTER		
23	40686	ADHESIVE RUBBER MAT 20x10 L=333		
24	39851	FINNED BATTERY (STVF67)		
25	39853	Ø200 PLASTIC SHOVEL		
26	41440	MOUTHPIECE Ø200 (STVF67)		
27	41441	GRILLE Ø 200 (STVF67)		
28	39854	MOTOR	220/240V 50/60Hz	
29	39904	EMC3119U-PTC R290 EVAPORATOR	230V 50Hz	
29	41147	EMI70UER R290 EVAPORATOR	220/240V 60Hz	
30	40428	POLYSTYRENE UNIT COVER		
31	40439	ADHESIVE RUBBER MAT 20x10 L=530		
32	40441	EVAPORATOR 10T 2R L=350 P5		
33	20286	NTC PROBE L=1.5 IP65		
34	30329	CAPACITOR GRILLE		
35	18439	Ø200 SUCTION FAN		
36	39850	MOTOR	230V 50Hz	
37	37062	PROBE DOOR		
38	40425	UNIT BASE		
39	38133	SOLENOID VALVE		
40	32348	COIL	220/240V 50/60Hz	
41	00715	PG11 CONNECTOR		
42	39492	CAPACITOR (STVF67-ES)		
43	40600	RUBBER GASKET 20x6 L=625		
44	34653	RUBBER GASKET 20x6 L=645		
45	29657	NTC PROBE L=3 IP65		
46	37050	2-WAY RECEIVER DRYER FILTER		
47	37051	LIQUID SEPARATOR		