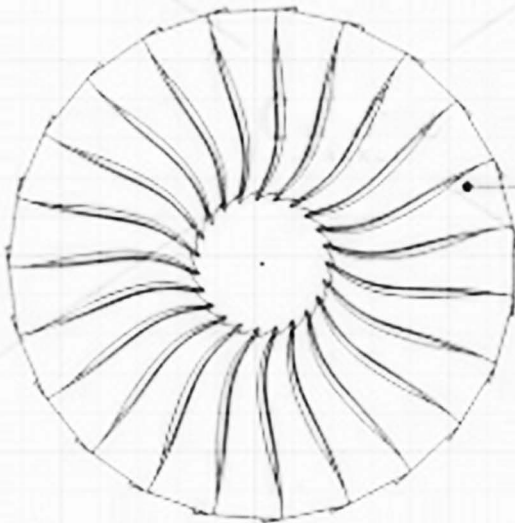
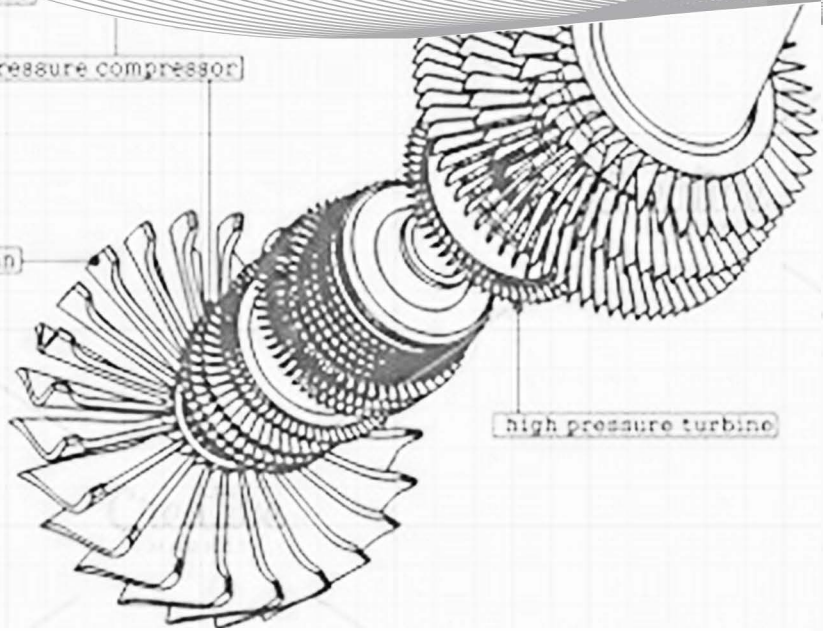


high pressure compressor

low pressure compressor



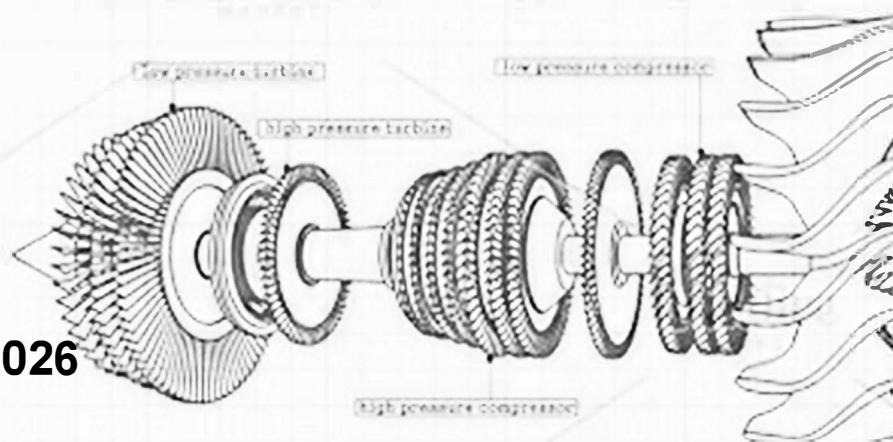
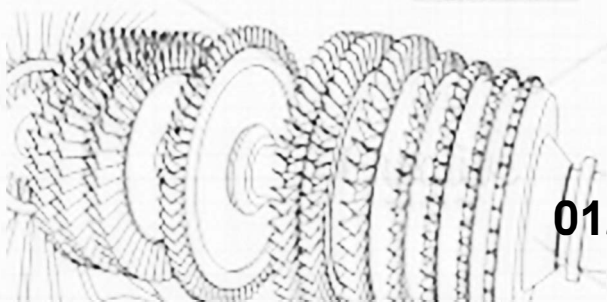
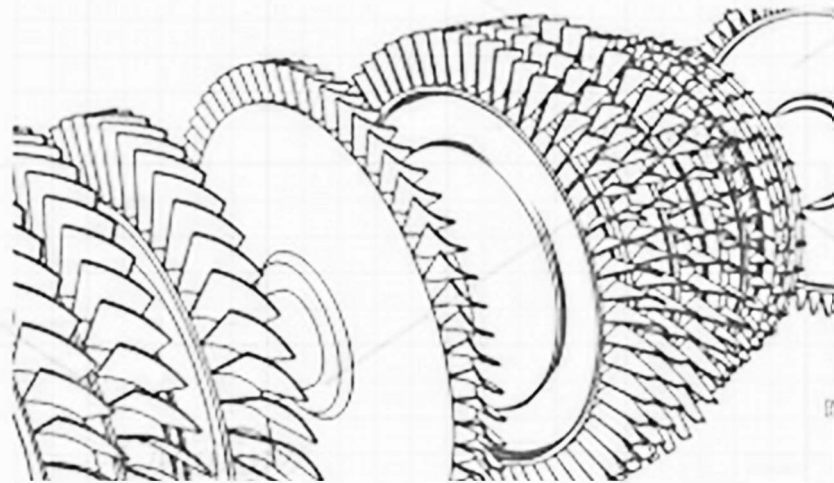
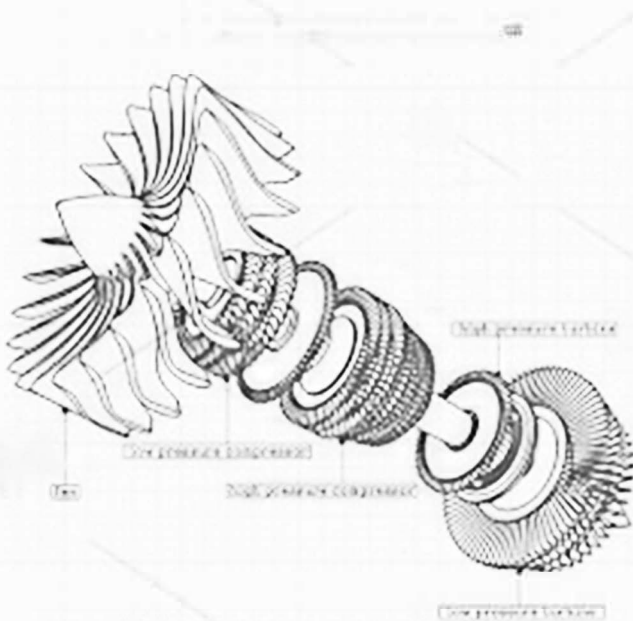
fan



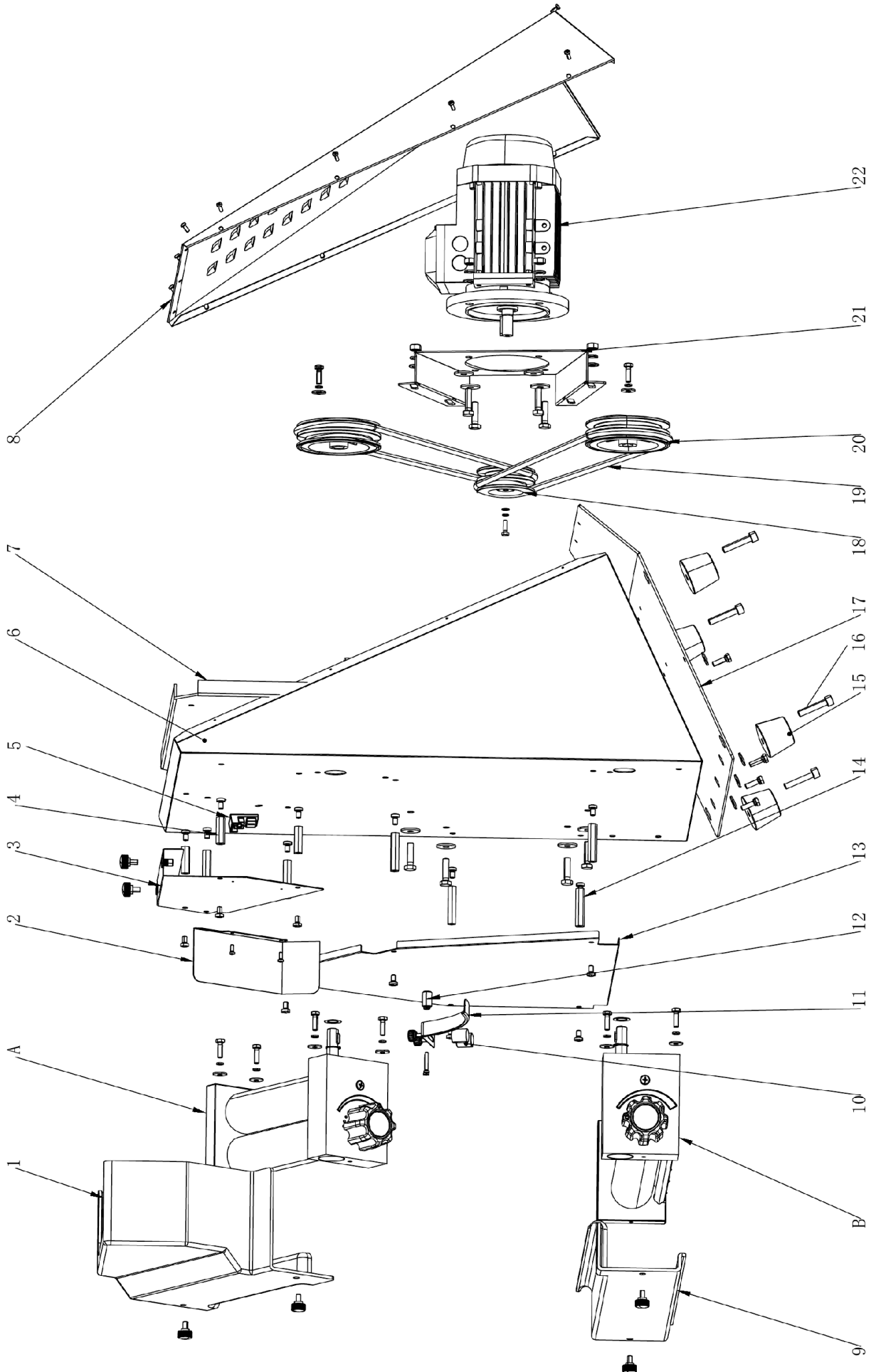
high pressure turbine

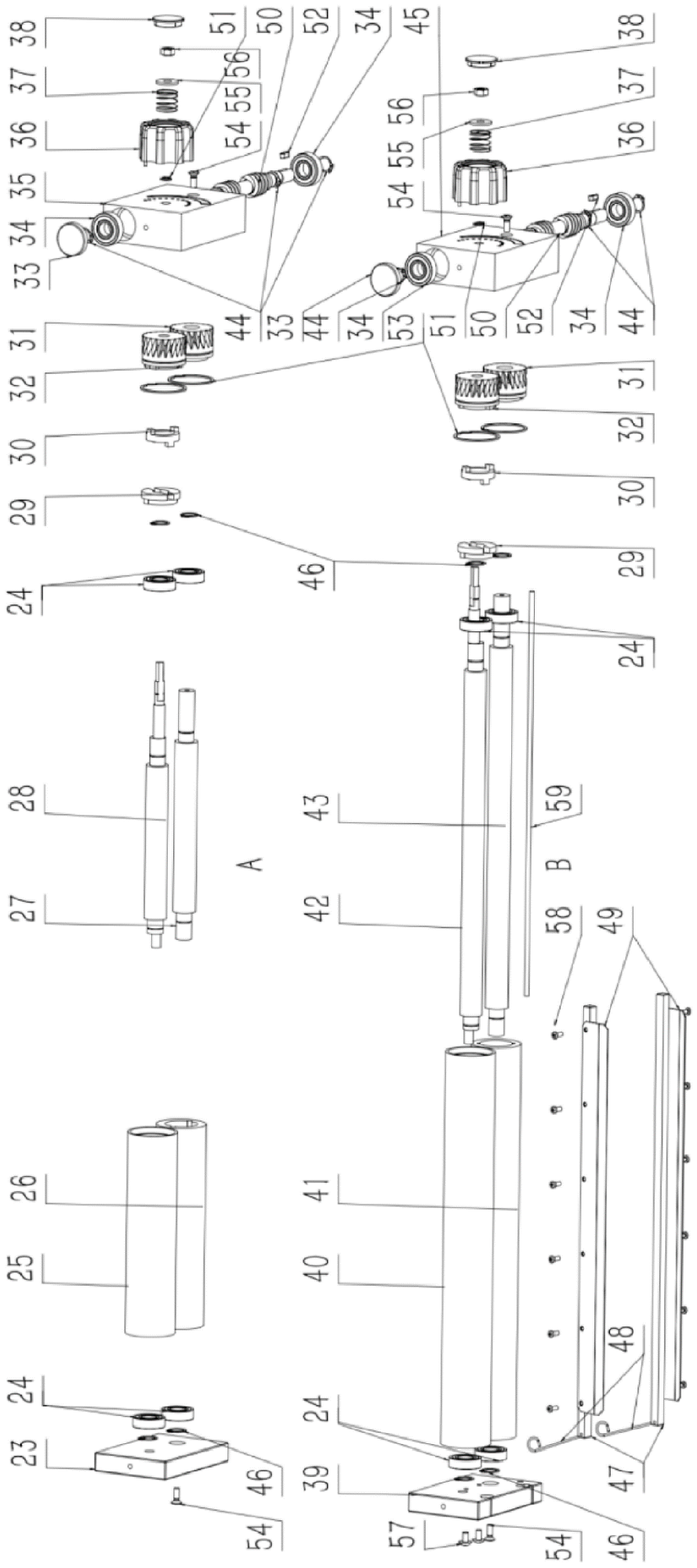
MOD : WR-LP42-XM

Production code : 1D900225



**EXPLODED VIEW
WR-LP42-XM**





A

B

SPARE PARTS



NO#	NAME	QTY	NO#	NAME	QTY
1	Upper transparent cover	1	30	Eccentric adjusting block	2
2	Upper feeding baffle	1	31	Concentric turbine	2
3	Upper feeding plate	1	32	Eccentric turbine	2
4	Plastic column 10X35	4	33	Bearing cap	2
5	Control button	1	34	Bearing(6202)	4
6	Fuselage	1	35	Upper roller fixed plate(right)	1
7	Reinforcement plate	1	36	Adjusting knob	2
8	Back cover	1	37	Spring	2
9	Transparent lower cover	1	38	Knob cover	2
10	Clump weight	1	39	Lower roller fixed plate(left)	1
11	Blocking hook	1	40	Lower eccentric roller	1
12	Column 8X20	2	41	Lower concentric roller	1
13	Dough guide plate	1	42	Lower eccentric shaft	1
14	Stainless steel column 10X50	5	43	Lower concentric shaft	1
15	Plastic feet	4	44	Circlip (14)	6
16	Feet fixing column	4	45	Lower roller fixed plate(right)	1
17	Fuselage base plate	1	46	Circlip (17)	8
18	Motor pulley	1	47	Aluminum rod	2
19	Imported PU belt 8X1010	2	48	Hold-down spring	2
20	Driven pulley	2	49	Blade	2
21	Motor base	1	50	Worm shaft	2
22	Motor	1	51	Circlip (9)	2
23	Upper roller fixed plate(left)	1	52	A-type flat key (5X14)	2
24	Bearing(6003)	8	53	Oil-seal ring (50X45.6X1.5)	4
25	Upper eccentric roller	1	54	Stainless steel countersunk screw 6 * 12	4
26	Upper concentric roller	1	55	Stainless steel flat gasket with a diameter of 25X and 8X2	2
27	Upper concentric shaft	1	56	Stainless steel nylon locking nut M8	2
28	Upper eccentric shaft	1	57	Stainless steel flat machine wire 6 * 10	18
29	Eccentric fixed block	2			