



# **MOD : PEB90/20W**

**Production code : TB 852W HC**

**01/2026**



**PEB90/20W**

# LIST OF THE EXPLODED VIEWS



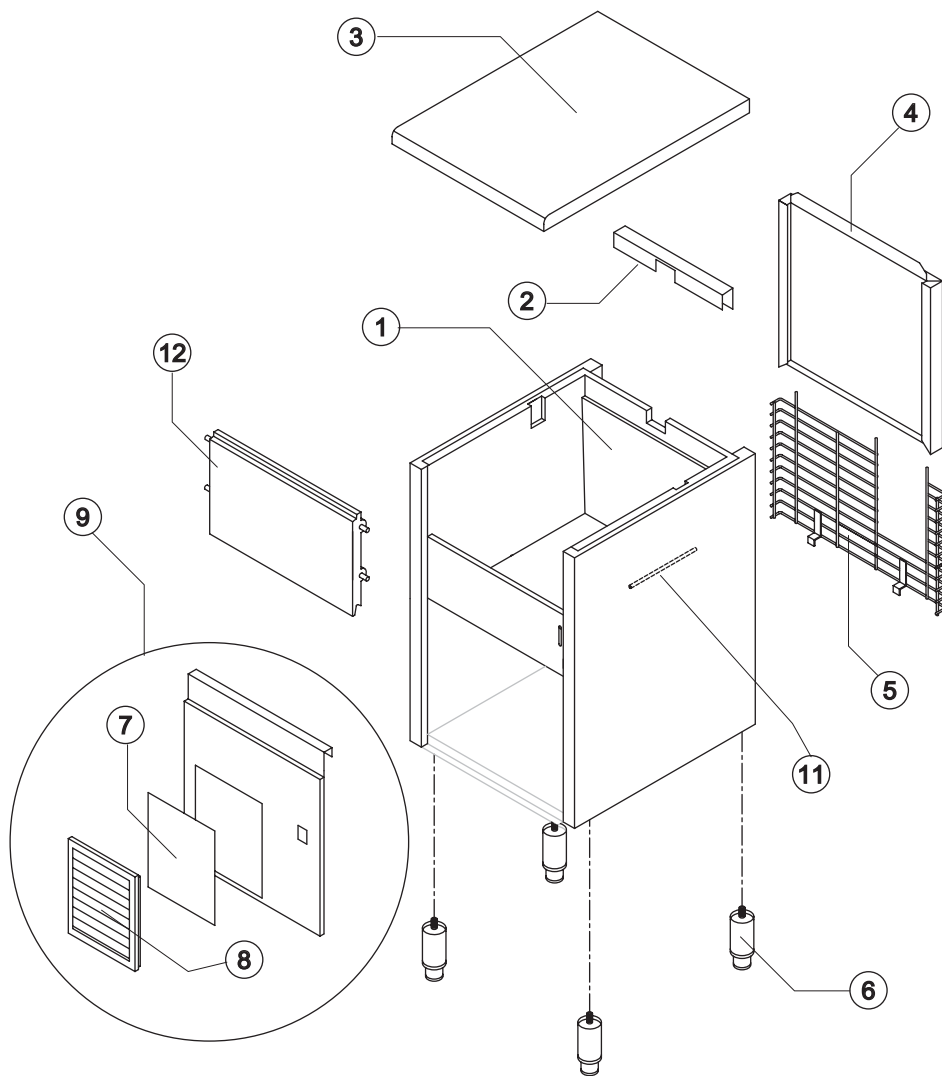
*SHELL ASSY*

*COOLING SYSTEM*

*EVAPORATOR*

*HYDRAULIC CIRCUIT*

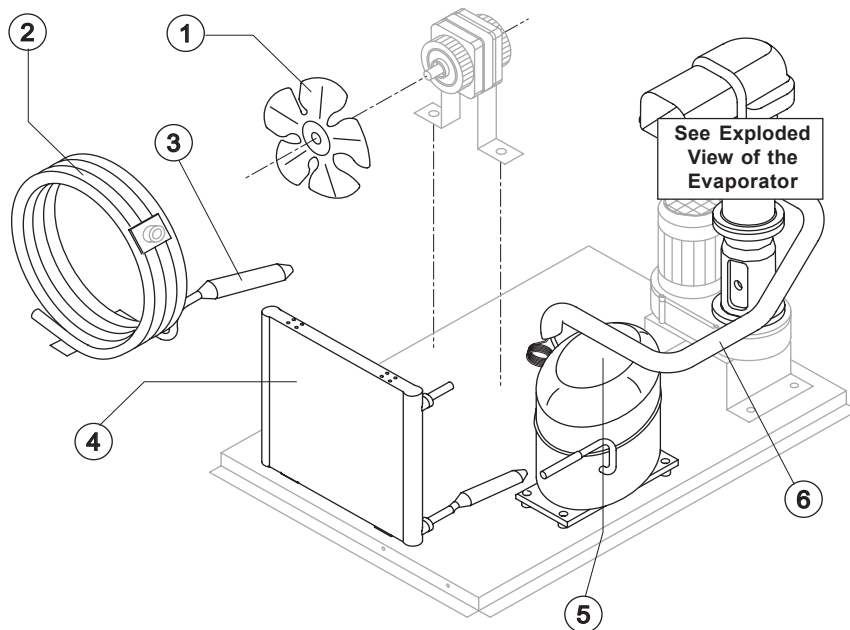
*ELECTRIC PARTS*



| Ref. | Spare Description               | Code      |
|------|---------------------------------|-----------|
| 1    | Foamed Cabinet Assy             | See Table |
| 2    | Cover for Ice Exhaust           | 221385    |
| 3    | Top Assembly                    | C22689    |
| 4    | Rear Panel Assembly             | C21215    |
| 5    | Rear Grid                       | D12014    |
| 6    | Adjustable Stainless Steel Foot | 20613     |
| 7*   | Filtering Panel                 | 18106     |
| 8    | Frame + Grid & Filter           | C10205    |
| 9    | Front Grid Panel                | C22507    |
| 11   | Bulbe-holder Pipe               | 20521     |
| 12   | Door Assy                       | C10297    |

### Ref. 1 - Foamed Cabinet Assy

| Condensation | Code    |
|--------------|---------|
| Air          | C11153A |
| Water        | C11153W |



### Common Parts

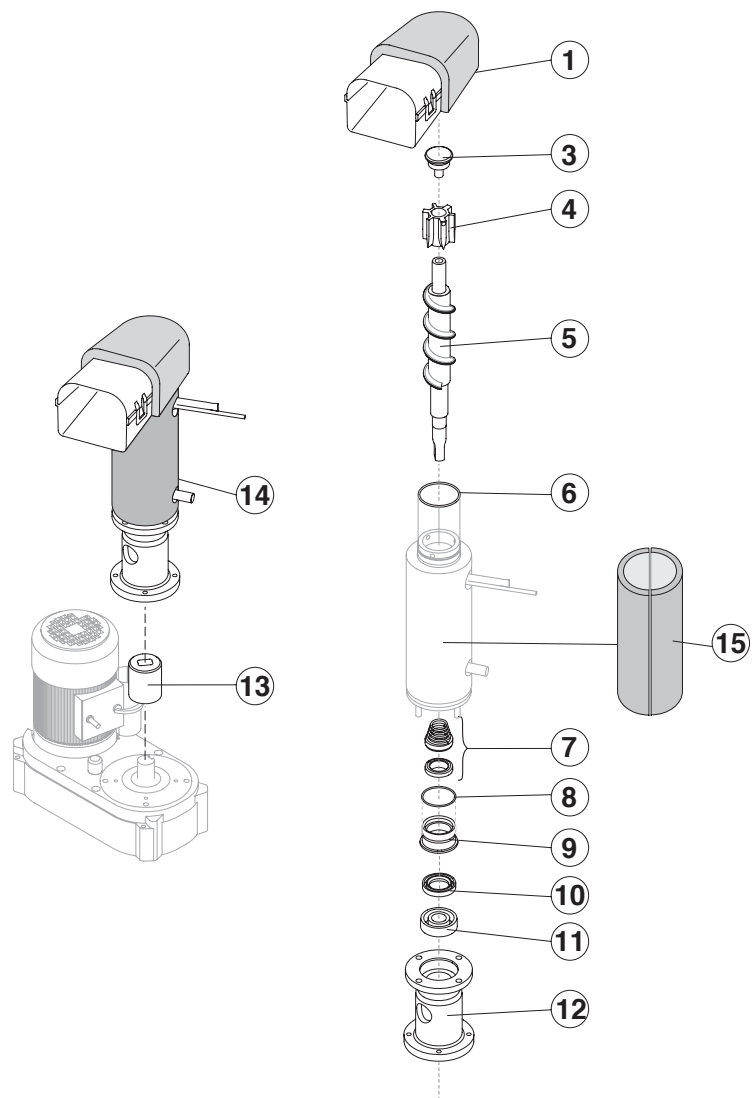
| Ref. | Spare Description | Code                                      |
|------|-------------------|---|
| 3*   | Molecular Drier   | 14009                                     |
| 5    | Compressor        | 231159                                    |
| 6    | Suctin Line       | for the spare parts code give us the s/n. |

### Parts for Air-Cooled Version Only

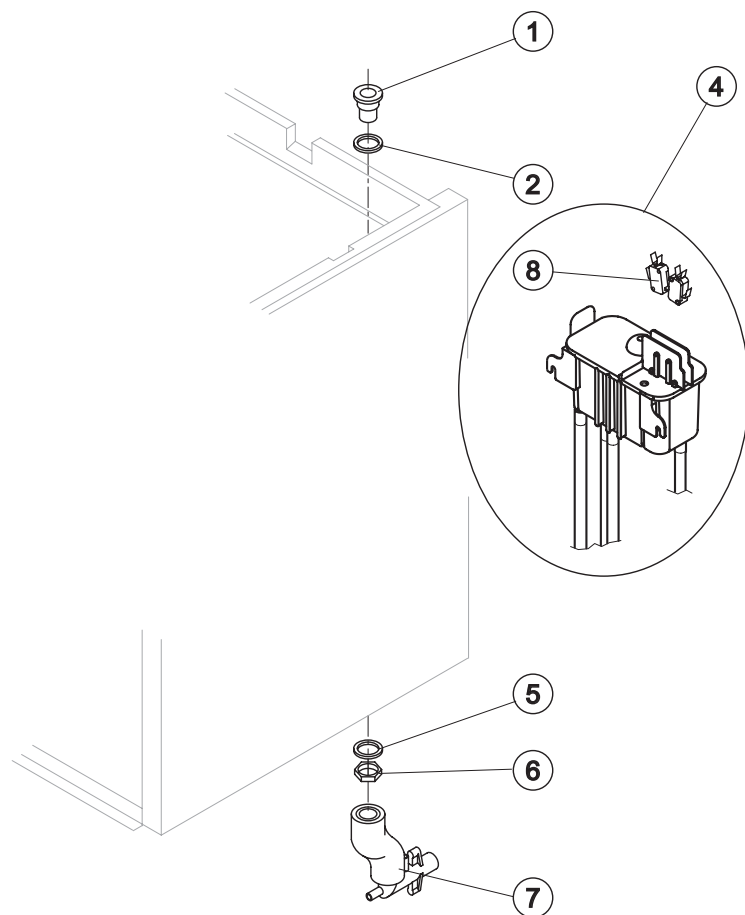
| Ref. | Spare Description | Code                       |
|------|-------------------|----------------------------|
| 1    | Sucking Fan       | 20096                      |
| 4    | Air Condenser     | Current Version<br>201221  |
| 4    | Air Condenser     | Till s/n. 879198<br>201131 |

### Parts for Water-Cooled Version Only

| Ref. | Spare Description | Code  |
|------|-------------------|-------|
| 1    | Sucking Fan       | 10213 |
| 2    | Water Condenser   | 14057 |



| Ref. | Spare Description               | Code    |
|------|---------------------------------|---------|
| 1    | Ice Exhaust with insulatig cap  | C10648  |
| 3    | Ice Breaker                     | 20915   |
| 4    | Extruder with bearings assembly | C201001 |
| 5    | Auger                           | 201000  |
| 6    | OR Gasket 4325                  | 20987   |
| 7    | Ceramic Seal                    | 20937   |
| 8    | OR Gasket 3162 mat. NBR70       | 20429   |
| 9    | Reduction Ring                  | 20785   |
| 10   | Seal Ring                       | 20985   |
| 11   | Bearing                         | 20917   |
| 12   | Flange                          | 20916   |
| 13   | Joint                           | D20630  |
| 14   | Evaporator Assy                 | C11174  |
| 15   | Insulating Cap                  | 18205   |



### Common Parts

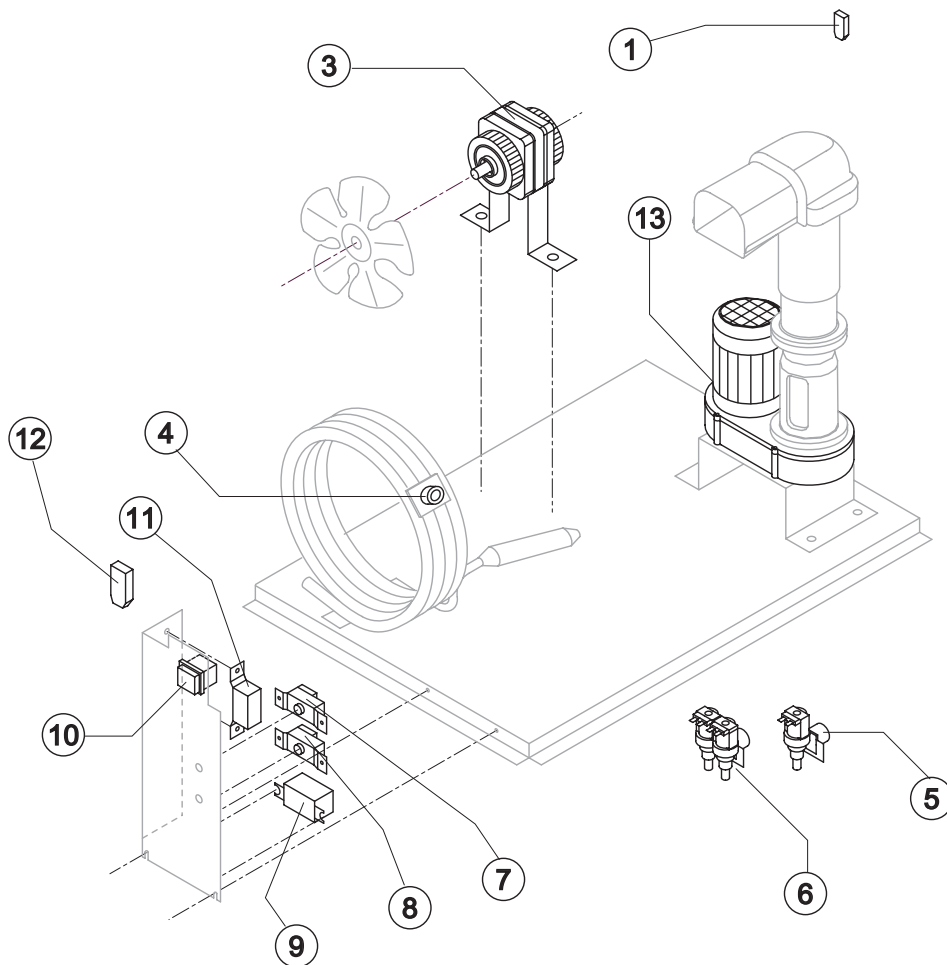
| Ref. | Spare Description             | Code   |
|------|-------------------------------|--------|
| 1    | Water Outlet Nipple           | 10472  |
| 2    | Silicone Gasket               | 13219  |
| 4*   | Double Switch Basin Assembly  | C10704 |
| 5    | Semirigid Polyethylene Gasket | 13007  |
| 6    | Bin Discharge Nut             | 10096  |
| 8    | Microswitch                   | 23055  |

### Parts for Air-Cooled Version Only

| Ref. | Spare Description   | Code   |
|------|---------------------|--------|
| 7    | Discharges Manifold | C10235 |

### Parts for Water-Cooled Version Only

| Ref. | Spare Description   | Code   |
|------|---------------------|--------|
| 7    | Discharges Manifold | C10240 |



### Common Parts

| Ref. | Spare Description              | Code   |
|------|--------------------------------|--------|
| 1    | Anti Radio Interference Filter | C23457 |
| 7*   | Bin Thermostat                 | 23005  |
| 8*   | Evaporator Thermostat          | 23591  |
| 9*   | Relay                          | 23190  |
| 10*  | Green Light Switch (On-Off)    | 23327  |
| 11*  | Fan cycle switch               | 231123 |
| 12   | Anti Radio Interference Filter | C23459 |
| 13   | Gearmotor                      | 231030 |

### Parts for Air-Cooled Version Only

| Ref. | Spare Description        | Code             |        |
|------|--------------------------|------------------|--------|
| 3*   | Fan Motor                | Current Version  | 23029  |
| 3*   | Fan Motor                | Till s/n. 879198 | 231041 |
| 5*   | 1 Way- Water Inlet Valve |                  | 23115  |

### Parts for Water-Cooled Version Only

| Ref. | Spare Description         | Code |        |
|------|---------------------------|------|--------|
| 3*   | Fan Motor                 |      | 23029  |
| 4*   | Safety Thermostat         |      | C23114 |
| 6*   | 2 Ways- Water Inlet Valve |      | 23116  |