



# **MOD : SDG/10S**

**Production code : 228909**

Jet engine compressor drawings

Creative  
MARKET

**01/2026**

## SKYLINE GAS OVEN 3.0 FORNO GAS SKYLINE 3.0

Type Reference	Ref	Page	Description	note
COG61C30	b		6 grids GN 1/1 - touch convect - triple glass - Standard	
COG61D30	c		6 grids GN 1/1 - digital steam - triple glass - Standard	
<b>SBGT/06S</b>	e		6 grids GN 1/1 - touch steam - triple glass - Standard	<b>Diamond</b>
<b>SDG/06S</b>	f		6 grids GN 1/1 - digital convect - triple glass - Standard	<b>Diamond</b>
COG62C30	h		6 grids GN 2/1 - touch convect - triple glass - Standard	
COG62D30	i		6 grids GN 2/1 - digital steam - triple glass - Standard	
COG62T30	k		6 grids GN 2/1 - touch steam - triple glass - Standard	
COG62V30	l		6 grids GN 2/1 - digital convect - triple glass - Standard	
COG11C30	n		10 grids GN 1/1 - touch convect - triple glass - Standard	
COG11D30	o		10 grids GN 1/1 - digital steam - triple glass - Standard	
<b>SBGT/10S</b>	q		10 grids GN 1/1 - touch steam - triple glass - Standard	<b>Diamond</b>
<b>SDG/10S</b>	r		10 grids GN 1/1 - digital convect - triple glass - Standard	<b>Diamond</b>
COG12C30	t		10 grids GN 2/1 - touch convect - triple glass - Standard	
COG12D30	u		10 grids GN 2/1 - digital steam - triple glass - Standard	
COG12T30	w		10 grids GN 2/1 - touch steam - triple glass - Standard	
COG12V30	x		10 grids GN 2/1 - digital convect - triple glass - Standard	

### Index

Description Type Reference/Descrizione Type Reference	
Oven cabinet and door/Cella forno e porta	
Electrical components/Componenti elettrici	
Water system/Impianto idraulico	
Boiler	
Preventive Maintenance KIT	
Nozzles tables/Tabella ugelli	
Spare parts list / Lista ricambi	
Maintenance Kit list / Lista KIT di manutenzione	
<b>B o d a   a n   /   G a   o   i m a   m o d i   a</b>	

### Page

2
3
4
5-6
7
8
9
10-21
22-25

V = Vital spare part/Ricambio vitale  
W&T = Wear&Tear and Consumable/  
Ricambio usurabile e consumabile

Rev. 1

COG \* \* \*

\_\_\_\_\_ K = Smoker/Aromatizer  
0 = Standard

T2 = touch steam - double glass

T3 = touch steam - triple glass

C2 = touch convect – double glass

\_\_\_\_\_ C3 = touch convect – triple glass

D2 = digital steam – double glass

D3 = digital steam – triple glass

V2 = digital convect – double glass

V3 = digital convect – triple glass

61 = 6 grids GN1/1

62 = 6 grids GN2/1

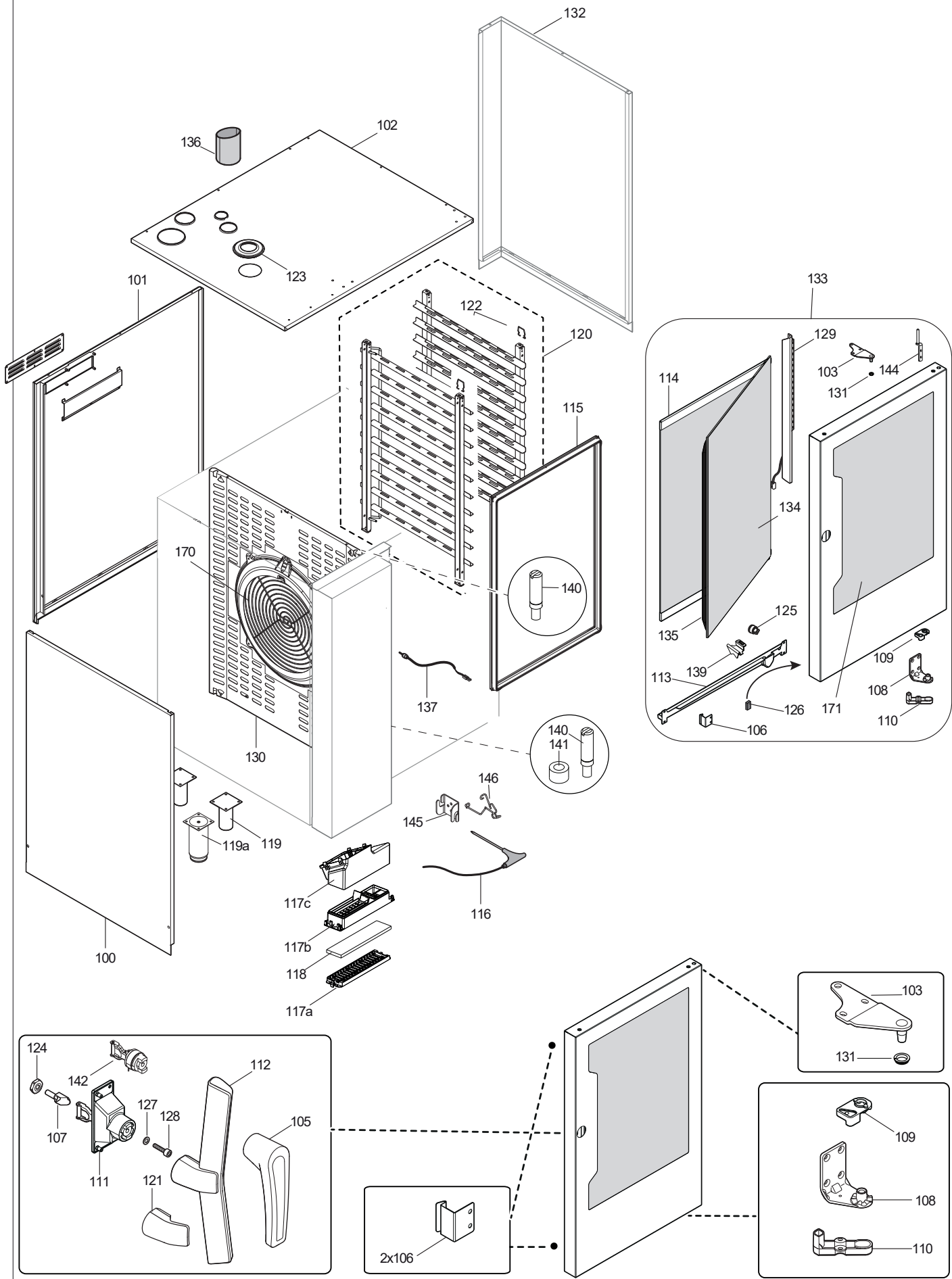
\_\_\_\_\_ 11 = 10 grids GN1/1

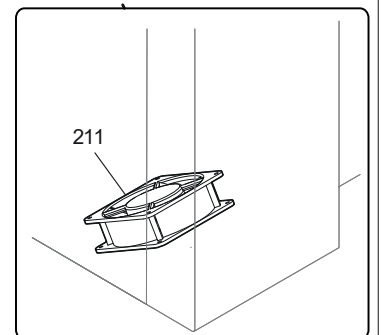
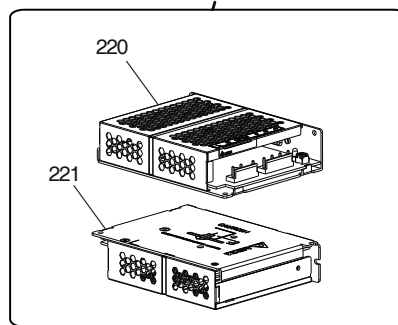
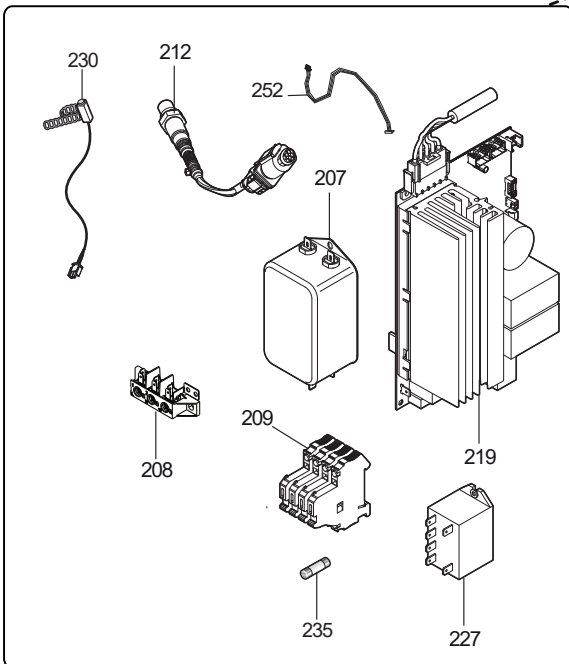
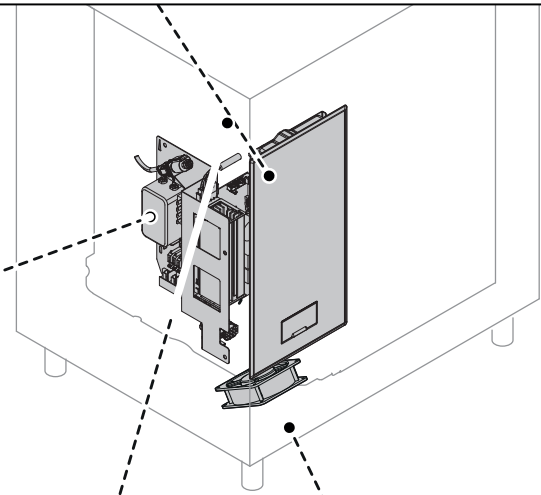
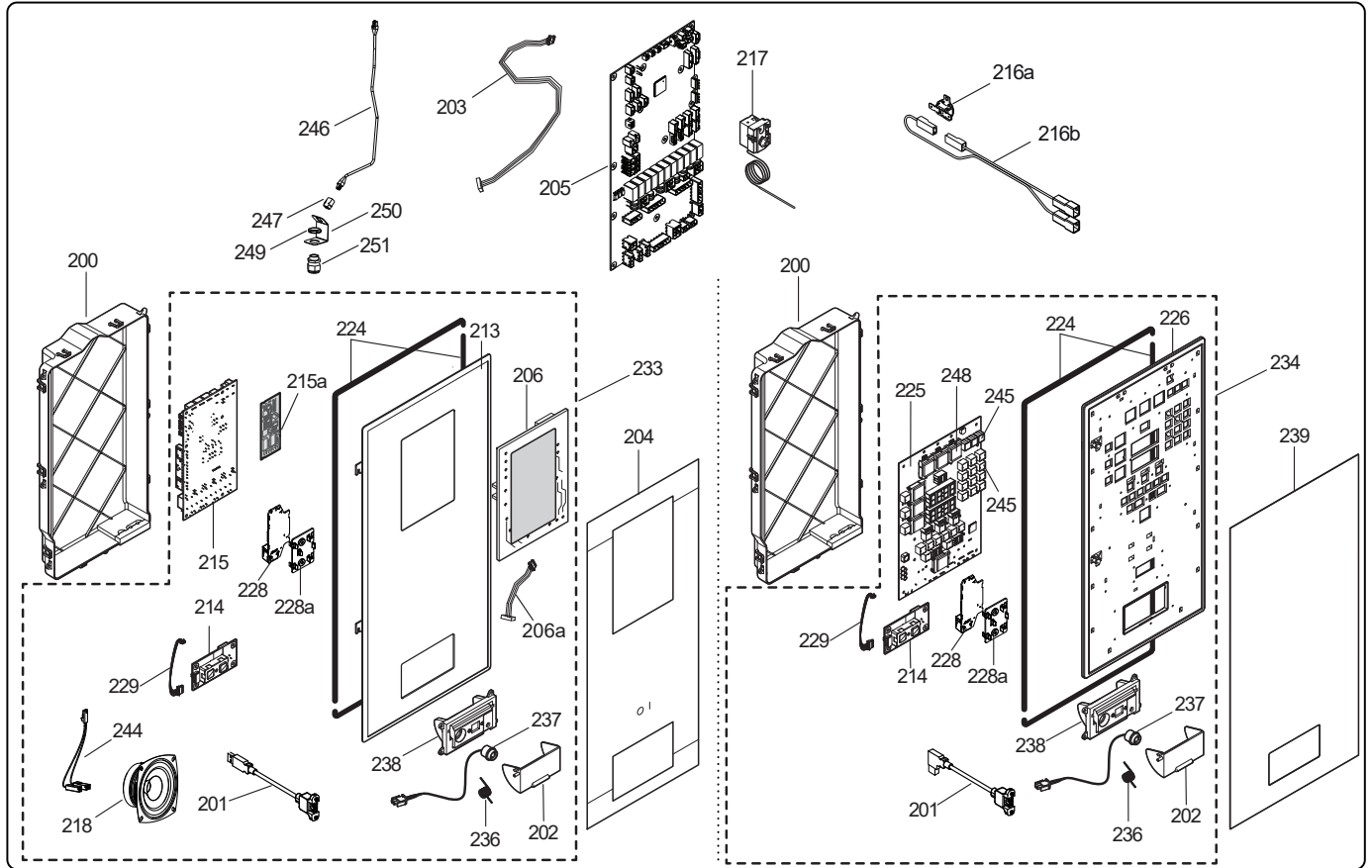
12 = 10 grids GN2/1

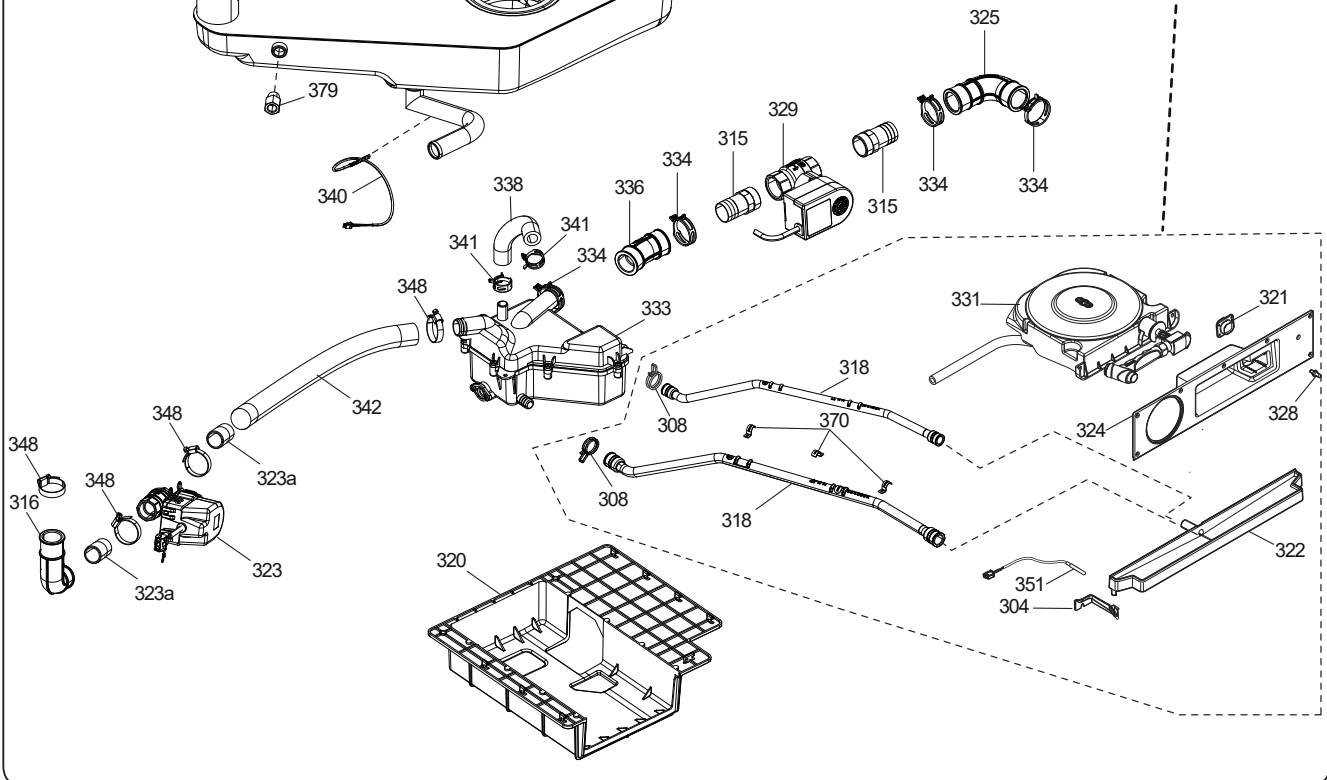
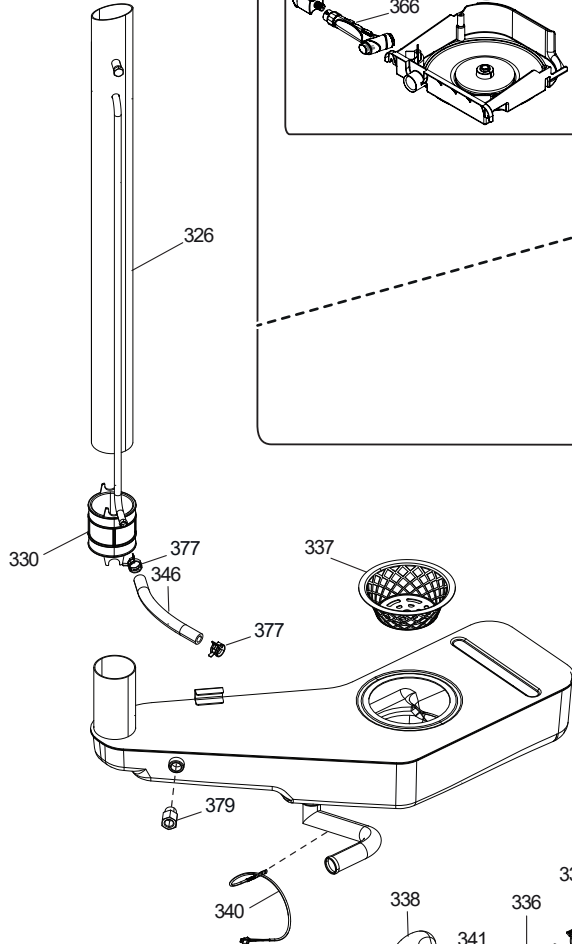
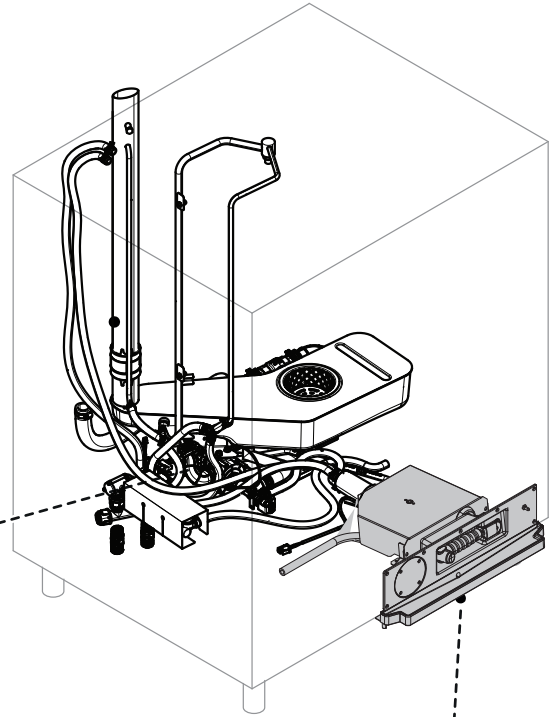
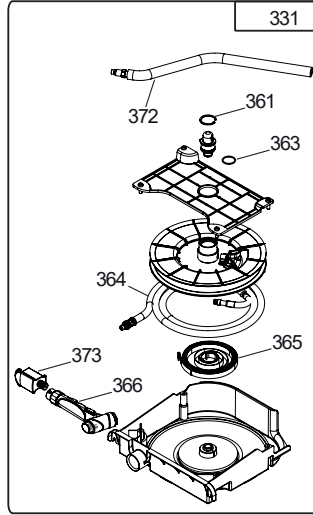
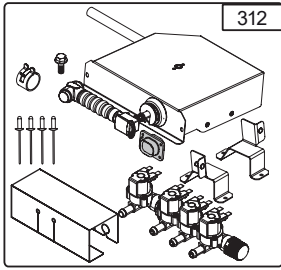
21 = 20 grids GN1/1

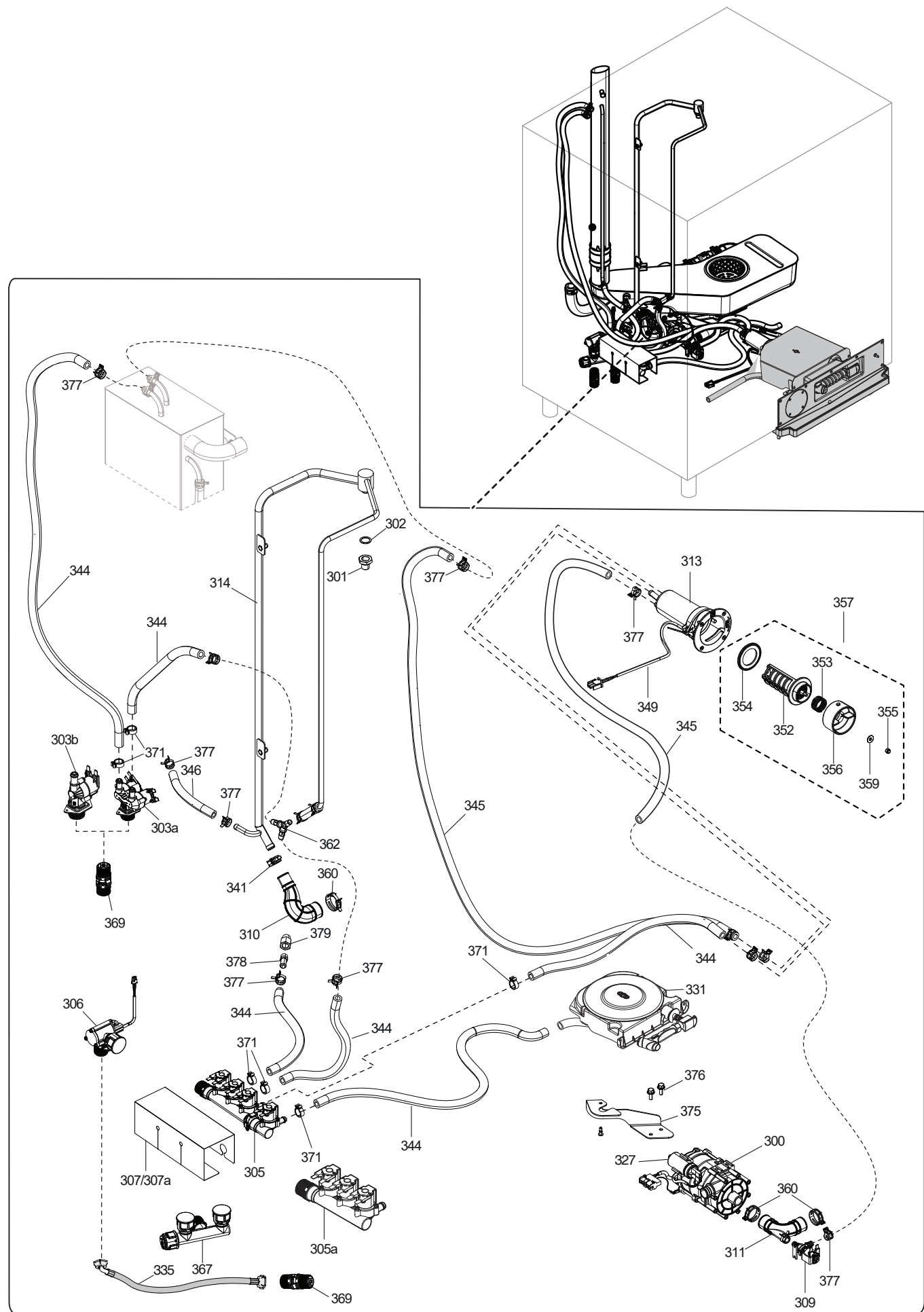
22 = 20 grids G21/1

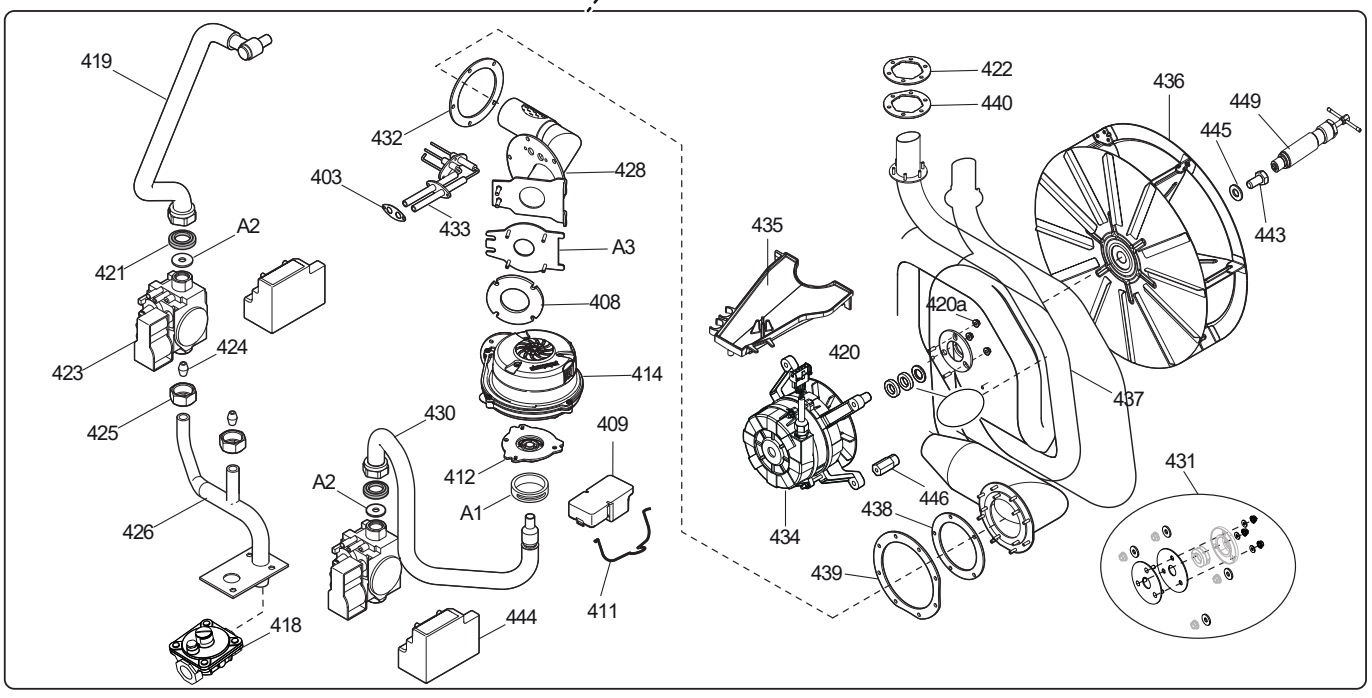
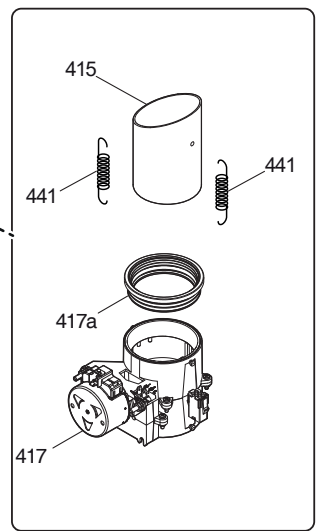
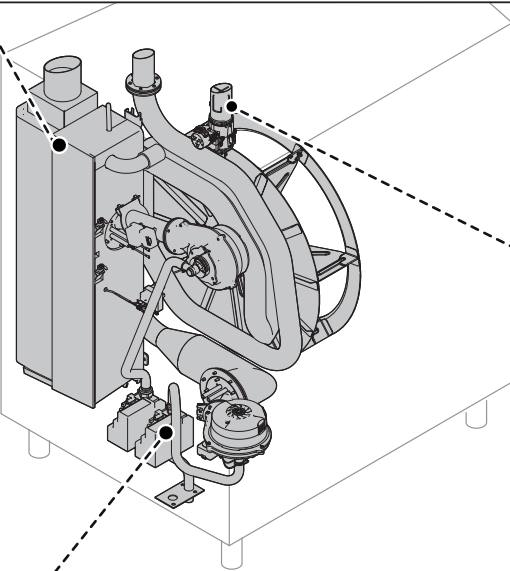
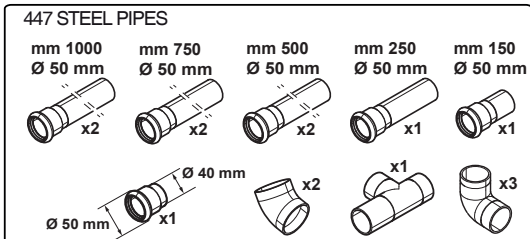
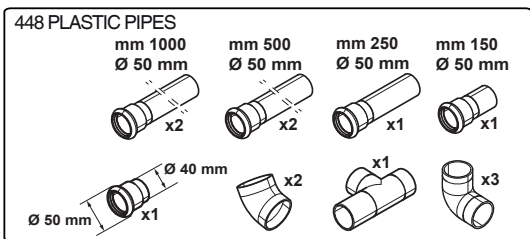
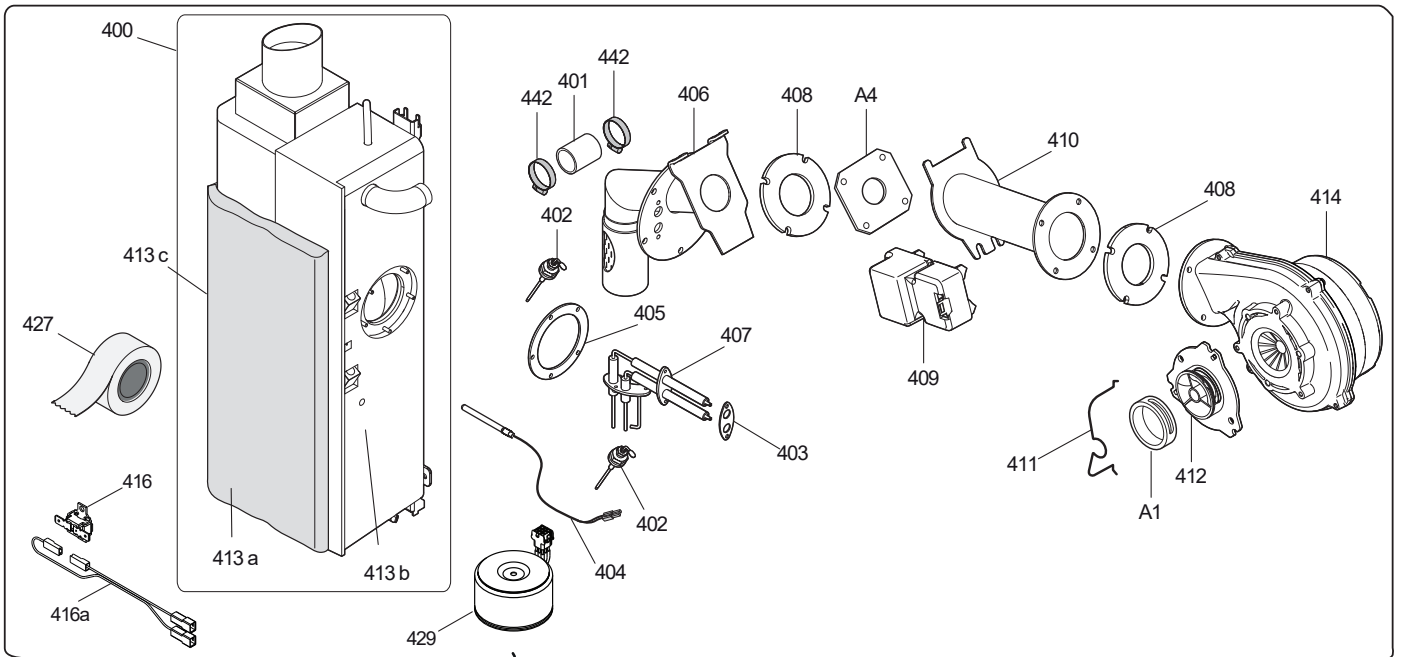
\_\_\_\_\_ COG = Combi Oven Gas

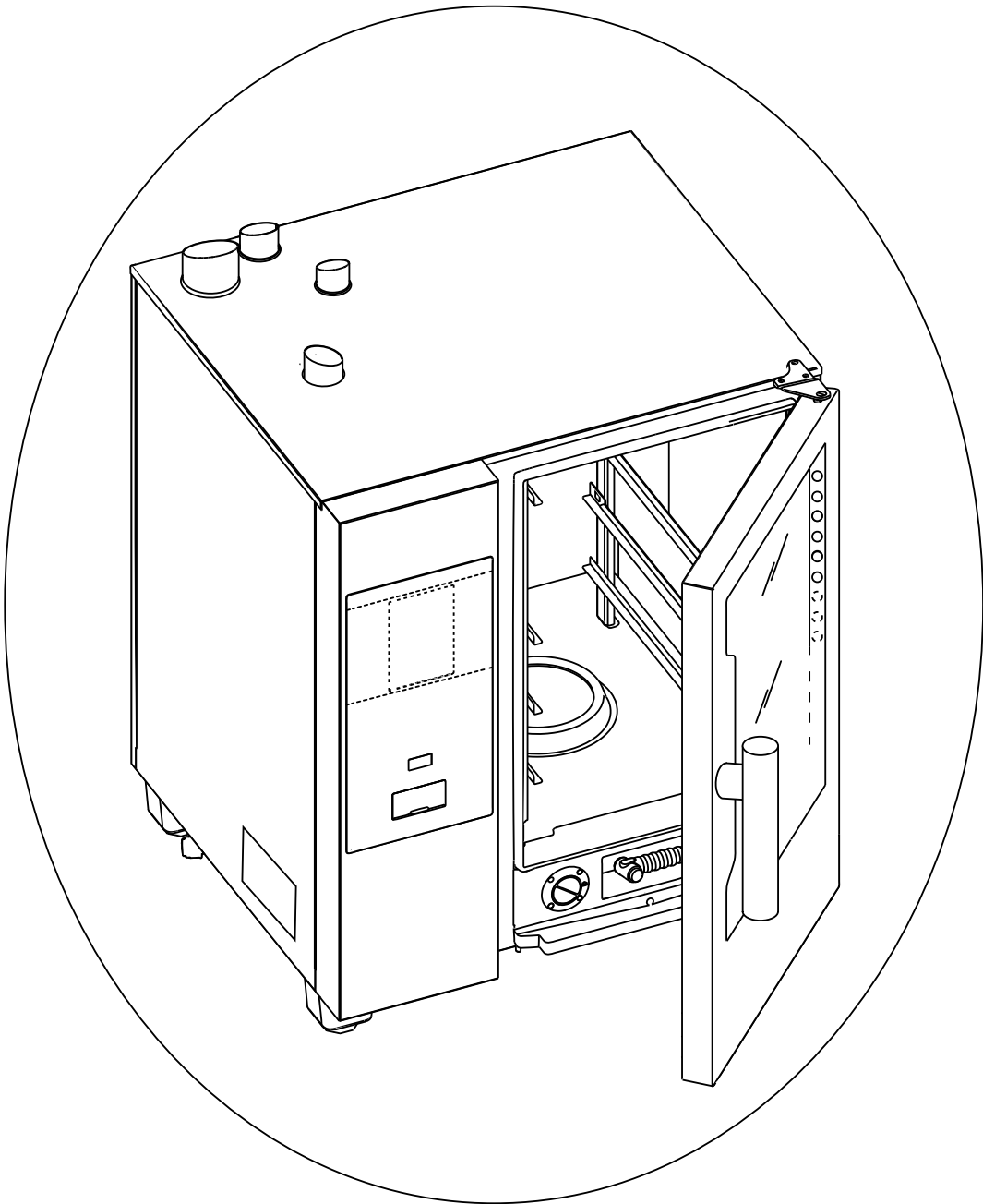












- PPM1
- PPM2
- PPM3
- PPM4
- PPM5
- PPM6
- PPM7
- PPM8
- PPM9
- PPM10
- PPM11
- PPM12
- PPM13
- PPM14
- PPM15
- PPM16
- PPM17
- PPM18
- PPM19
- PPM20
- PPM21
- PPM21
- PPM22
- PPM23
- PPM24

6 GN 1/1						
	AERATORE/AERATOR		DIAFRAMMA/DIAPHRAGM		FLANGIA/FLANGE	
GAS	A1 - CELLA/CAVITY	A1 - BOILER	A2 - CELLA/CAVITY	A2 - BOILER	A3 - CELLA/CAVITY	A4 - BOILER
G20	(BIANCO/WHITE)	(BIANCO/WHITE)	0CK054(ø 4,70)	0CK054(ø 4,70)	(ø 14)	(ø 14)
G25	(BIANCO/WHITE)	(BIANCO/WHITE)	0C1162 (ø 5,30)	0CK057 (ø 5,20)	(ø 14)	(ø 14)
G25.1	(BIANCO/WHITE)	(BIANCO/WHITE)	0C2442 (ø 5,50)	0CK059 (ø 5,40)	(ø 14)	(ø 14)
G25.3	(BIANCO/WHITE)	(BIANCO/WHITE)	0C1162 (ø 5,30)	0CK057 (ø 5,20)	(ø 14)	(ø 14)
G30	(BIANCO/WHITE)	(BIANCO/WHITE)	0CK049 (ø 3,80)	0CK049 (ø 3,80)	(ø 14)	(ø 14)
G31/LPG	(BIANCO/WHITE)	(BIANCO/WHITE)	0CK407 (ø 4,05)	0CK050 (ø 3,95)	(ø 14)	(ø 14)
6 GN 2/1						
	AERATORE/AERATOR		DIAFRAMMA/DIAPHRAGM		FLANGIA/FLANGE	
GAS	A1 - CELLA/CAVITY	A1 - BOILER	A2 - CELLA/CAVITY	A2 - BOILER	A3 - CELLA/CAVITY	A4 - BOILER
G20	(ARANCIO/ORANGE)	(GIALLA/YELLOW)	0C2442 (ø 5,50)	0CK060 (ø 5,45)	(ø 22)	(ø 15)
G25	(ARANCIO/ORANGE)	(GIALLA/YELLOW)	0CK063 (ø 6,30)	0CK062 (ø 6,10)	(ø 22)	(ø 15)
G25.1	(ARANCIO/ORANGE)	(GIALLA/YELLOW)	0CK064 (ø 6,60)	0C1161 (ø 6,50)	(ø 22)	(ø 15)
G25.3	(ARANCIO/ORANGE)	(GIALLA/YELLOW)	0CK063 (ø 6,30)	0CK062 (ø 6,10)	(ø 22)	(ø 15)
G30	(ARANCIO/ORANGE)	(GIALLA/YELLOW)	0CK052 (ø 4,40)	0CK051 (ø 4,25)	(ø 22)	(ø 15)
G31/LPG	(ARANCIO/ORANGE)	(GIALLA/YELLOW)	0CK053 (ø 4,60)	0CK053 (ø 4,60)	(ø 22)	(ø 15)
10 GN 1/1						
	AERATORE/AERATOR		DIAFRAMMA/DIAPHRAGM		FLANGIA/FLANGE	
GAS	A1 - CELLA/CAVITY	A1 - BOILER	A2 - CELLA/CAVITY	A2 - BOILER	A3 - CELLA/CAVITY	A4 - BOILER
G20	<b>0CK526</b> (BIANCO/WHITE)	0C4630 (FUCCIA/FUCHSIA)	0C4384 (ø 4,75)	0CK061 (ø 6,05)	(ø 21)	(ø 21)
G25	<b>0CK526</b> (BIANCO/WHITE)	0C4630 (FUCCIA/FUCHSIA)	0CK058 (ø 5,35)	0CK065 (ø 6,80)	(ø 21)	(ø 21)
G25.1	<b>0CK526</b> (BIANCO/WHITE)	0C4630 (FUCCIA/FUCHSIA)	<b>0CK529 (ø 5,55)</b>	0C9507(ø 7,25)	(ø 21)	(ø 21)
G25.3	<b>0CK526</b> (BIANCO/WHITE)	0C4630 (FUCCIA/FUCHSIA)	0CK057 (ø 5,20)	<b>0CK530 (ø 6,85)</b>	(ø 21)	(ø 21)
G30	<b>0CK526</b> (BIANCO/WHITE)	0C4630 (FUCCIA/FUCHSIA)	0CK048(ø 3,75)	0C4384 (ø 4,75)	(ø 21)	(ø 21)
G31/LPG	<b>0CK526</b> (BIANCO/WHITE)	0C4630 (FUCCIA/FUCHSIA)	0CK050 (ø 3,95)	0CK056 (ø 5,15)	(ø 21)	(ø 21)
10 GN 2/1						
	AERATORE/AERATOR		DIAFRAMMA/DIAPHRAGM		FLANGIA/FLANGE	
GAS	A1 - CELLA/CAVITY	A1 - BOILER	A2 - CELLA/CAVITY	A2 - BOILER	A3 - CELLA/CAVITY	A4 - BOILER
G20	0C1045 (ROSSA/RED)	0C4630 (FUCCIA/FUCHSIA)	0CK064 (ø 6,60)	0CK063 (ø 6,30)	<b>0CK9CX (ø 26)</b>	(ø 23)
G25	0C1045 (ROSSA/RED)	0C4630 (FUCCIA/FUCHSIA)	0CK069 (ø 7,60)	0CK067 (ø 7,20)	<b>0CK9CX (ø 26)</b>	(ø 23)
G25.1	0C1045 (ROSSA/RED)	0C4630 (FUCCIA/FUCHSIA)	<b>0CK533 (ø 7,90)</b>	0C2444 (ø 7,50)	<b>0CK9CX (ø 26)</b>	(ø 23)
G25.3	0C1045 (ROSSA/RED)	0C4630 (FUCCIA/FUCHSIA)	0CK068(ø 7,40)	0CK066 (ø 7,10)	<b>0CK9CX (ø 26)</b>	(ø 23)
G30	0C1045 (ROSSA/RED)	0C4630 (FUCCIA/FUCHSIA)	0C4385 (ø 5,00)	0CK055 (ø 4,80)	<b>0CK9CX (ø 26)</b>	(ø 23)
G31/LPG	0C1045 (ROSSA/RED)	0C4630 (FUCCIA/FUCHSIA)	0C2442 (ø 5,50)	0CK057 (ø 5,20)	<b>0CK9CX (ø 26)</b>	(ø 23)

## SKYLINE 3.0

Pos	Spare part Code	Factory code	Descrizione	Description	V	W & T	Ref./Notes
100	0CK591	503404P04	FIANCO SINISTRO 6 1/1	LEFT PANEL 6 1/1			b;c;e;f
100	0CK594	503404Q04	FIANCO SINISTRO 10 1/1	LEFT PANEL 10 1/1			n;o;q;r
100	0CK104	503405A03	FIANCO SINISTRO 6 2/1	LEFT PANEL 6 2/1			h;i;k;l
100	0CK227	503405B03	FIANCO SINISTRO 10 2/1	LEFT PANEL 10 2/1			t;u;w;x
101	0CK695	50340BA00	SCHIENALE FORNO 6 1/1	BACK PANEL 6 1/1			b;c;e;f
101	0CK693	50340B800	SCHIENALE FORNO 10 1/1	BACK PANEL 10 1/1			n;o;q;r
101	0CK697	50340BF00	SCHIENALE FORNO 6 2/1	BACK PANEL 6 2/1			h;i;k;l
101	0CK699	50340BH00	SCHIENALE FORNO 10 2/1	BACK PANEL 10 2/1			t;u;w;x
102	0CK094	503404D03	COPERCHIO FORNO CONVEZ. 6 1/1	TOP PANEL CONVECT 6 1/1			b;f
102	0CK092	503405N02	COPERCHIO FORNO CONVEZ 10 1/1	TOP PANEL CONVECT 10 1/1			n;r
102	0CK090	503405P02	COPERCHIO FORNO COMBI 6 1/1	TOP PANEL COMBI 6 1/1			c;e
102	0CK088	503405Q02	COPERCHIO FORNO COMBI 10 1/1	TOP PANEL COMBI 10 1/1			o;q
102	0CK095	503405F02	COPERCHIO FORNO CONVEZ 6 2/1	TOP PANEL CONVECT 6 2/1			h;l
102	0CK093	503405R01	COPERCHIO FORNO CONVEZ 10 2/1	TOP PANEL CONVECT 10 2/1			t;x
102	0CK091	503405S02	COPERCHIO FORNO COMBI 6 2/1	TOP PANEL COMBI 6 2/1			i;k
102	0CK089	503405T02	COPERCHIO FORNO COMBI 10 2/1	TOP PANEL COMBI 10 2/1			u;w
103	0C4234	806847803	CERNIERA SUPERIORE	UPPER HINGE	X		RIGHT HINGED
103	*	80540DX00	CERNIERA SUPERIORE PORTA REV	UPPER HINGE FOR REVERSE DOOR	X		LEFT HINGED
105	0CK319	830409802	MANIGLIA PORTA	DOOR HANDLE	X		ZANUSSI
106	0CK148	50440CX02	MOLLA FERMAVETRO	INNER GLASS STOPPER			
107	0C4092	806859903	NASELLO CHIUSURA 1-STEP	SINGLE STEP DOOR LATCH	X	X	
108	0CK086	510400102	CERNIERA INFERIORE PORTA	LOWER HINGE	X		RIGHT HINGED
108	*	800401Y00	CERNIERA INFERIORE PORTA REV	LOWER HINGE FOR REVERSE DOOR	X		LEFT HINGED
109	0CK158	511400N01	POSIZIONAT. INF.CON FERMO-PORTA	DOOR POSITIONER WITH STOPPER			RIGHT HINGED
109	0CK354	511400R00	POSIZIONAT. INF.CON FERMO-PORTA	DOOR POSITIONER WITH STOPPER			LEFT HINGED
110	0CK160	541401R00	PROTEZIONE CAVETTI LED	LED WIRING PROTECTION		X	
111	0CK143	835403C00	MECCANISMO CHIUSURA PORTA	CLOSING MECHANISM	X	X	
112	0CK666	548401U03	MANIGLIA PORTA	DOOR HANDLE	X		ELECTROLUX
113	0CK205	549400W01	VASCHETTA GN 1/1	FRONT DRIP TRAY GN 1/1		X	b;c;e;f;n;o;q;r
113	0CK204	549400X01	VASCHETTA GN 2/1	FRONT DRIP TRAY GN 2/1		X	h;i;k;l;t;u;w;x
114	0CK239	879402801	ASSIEME VETRO INTERNO 6 1/1	INNER GLASS ASSEMBLY 6 1/1	X	X	b;c;e;f
114	0CK081	879402901	ASSIEME VETRO INTERNO 10 1/1	INNER GLASS ASSEMBLY 10 1/1	X	X	n;o;q;r
114	0CK238	879402A01	ASSIEME VETRO INTERNO 6 2/1	INNER GLASS ASSEMBLY 6 2/1	X	X	h;i;k;l
114	0CK240	879402B01	ASSIEME VETRO INTERNO 10 2/1	INNER GLASS ASSEMBLY 10 2/1	X	X	t;u;w;x
115	0CK9CY	543404000	GUARNIZIONE CELLA-PORTA 6 1/1	DOOR GASKET 6 1/1	X	X	b;c;e;f
115	0CK9D0	543404200	GUARNIZIONE CELLA-PORTA 10 1/1	DOOR GASKET 10 1/1	X	X	n;o;q;r
115	0CK9CZ	543404100	GUARNIZIONE CELLA-PORTA 6 2/1	DOOR GASKET 6 2/1	X	X	h;i;k;l
115	0CK9D1	543404300	GUARNIZIONE CELLA-PORTA 10 2/1	DOOR GASKET 10 2/1	X	X	t;u;w;x
116	0CK171	83040BW04	SPILLONE MULTIPOINT 10 1/1 – 10 2/1	FOOD PROBE MULTIPOINT 10 GRIDS		X	n;o;q;r;t;u;w;x
116	0CK172	83040CX03	SPILLONE MULTIPOINT 6 1/1 – 6 2/1	FOOD PROBE MULTIPOINT 6 GRIDS		X	b;c;e;f;h;i;k;l
116	0CK173	83040BV03	SPILLONE SINGLE POINT 10 1/1 – 10 2/1	FOOD PROBE SINGLE POINT 10 GRIDS		X	n;o;q;r;t;u;w;x
116	0CK174	83040CY03	SPILLONE SINGLE POINT 6 1/1 – 6 2/1	FOOD PROBE SINGLE POINT 6 GRIDS		X	b;c;e;f;h;i;k;l
117a	0CK86X	541403400	PORTAFILTRO	FILTER SUPPORT			
117b	0CK86Y	541403500	SCATOLA INFERIORE PORTA FILTRO	LOWER BOX FILTER SUPPORT			
117c	0CK86Z	541403600	SCATOLA SUPERIORE PORTA FILTRO	UPPER BOX FILTER SUPPORT			h;i;k;l;n;o;q;r;t;u;w;x
117c	0CK870	541403700	SCATOLA SUPERIORE PORTA FILTRO	UPPER BOX FILTER SUPPORT			b;c;e;f

## SKYLINE 3.0

Pos	Spare part Code	Factory code	Descrizione	Description	V	W & T	Ref./Notes
118	0CK875	0549401J00	FILTRO ARIA	AIR FILTER		X	
119	0CK154	875403K00	PIEDE DI SERVIZIO INOX	SERVICE FOOT INOX			
119a	0CK015	85540CY00	PIEDE REGOLABILE, KIT DI SOVRAPPONIZIONE	ADJUSTABLE FOOT, STACKING KIT			
120	0CK076	870401W04	ASSIEME PORTATEGLIE 6 1/1	TRAY RACK 6 1/1			b;c;e;f
120	0CK241	870401Y04	ASSIEME PORTATEGLIE 10 1/1	TRAY RACK 10 1/1			n;o;q;r
120	0CK078	870401X04	ASSIEME PORTATEGLIE 6 2/1	TRAY RACK 6 2/1			h;i;k;l
120	0CK077	870401Z04	ASSIEME PORTATEGLIE 10 2/1	TRAY RACK 10 2/1			t;u;w;x
120	0CBAWT	875404P02	ASSIEME PORTATEGLIE 6 1/1	TRAY RACK 6 1/1			b;c;e;f BAKERY
120	*	875404Q02	ASSIEME PORTATEGLIE 10 1/1	TRAY RACK 10 1/1			n;o;q;r BAKERY
120	0CK552	0870402M02	ASSIEME PORTATEGLIE 6 1/1 MARINE	MARINE TRAY RACK 6 1/1			b;c;e;f MARINE
120	0CK551	0870402L02	ASSIEME PORTATEGLIE 10 1/1 MARINE	MARINE TRAY RACK 10 1/1			n;o;q;r MARINE
120	0CK553	0870402N02	ASSIEME PORTATEGLIE 6 2/1 MARINE	MARINE TRAY RACK 6 2/1			h;i;k;l MARINE
120	0CK554	0870402P02	ASSIEME PORTATEGLIE 10 2/1 MARINE	MARINE TRAY RACK 10 2/1			t;u;w;x MARINE
121	0CK667	548402701	COPERCHIETTO MANIGLIA ELUX	ELUX HANDLE COVER		X	ELECTROLUX
122	0CK220	500406801	MOLLETTA FERMATEGLIE	SPRING STOPPER		X	
123	0CK114	543402500	GUARNIZIONE ASPIRAZIONE ARIA	AIR INLET GASKET		X	
124	0CBD0A	0516400M00	DADO NASELLO	DOOR LATCH NUT		X	
125	0CK195	549401800	VALVOLA SCARICO VASCETTA	CHECK VALVE		X	
126	0CBAP3	0549802700	MAGNETE IN NEODIMIO 20X5X10	NEODYMIUM MAGNET 20X5X10			
127	0E1331	206004105	ROSETTA	WASHER			
128	0CBCV1	217034405	VITE M6X40	SCREW M6X40			
129	0CK082	805407P02	BARRA LED	LED BAR			
130	0CK9H8	087840CG01	PARETE DI ASPIRAZIONE 6 1/1	SUCTION WALL 6 1/1			b;c;e;f
130	0CK9H4	087840BR01	PARETE DI ASPIRAZIONE 6 1/1	SUCTION WALL 6 1/1			b;c;e;f BAKERY
130	0CK9H9	087840CH01	PARETE DI ASPIRAZIONE 10 1/1	SUCTION WALL 10 1/1			n;o;q;r
130	0CK9H5	087840BS01	PARETE DI ASPIRAZIONE 10 1/1	SUCTION WALL 10 1/1			n;o;q;r BAKERY
130	0CK9IA	087840CJ01	PARETE DI ASPIRAZIONE 6 2/1	SUCTION WALL 6 2/1			h;i;k;l
130	0CK9IB	087840CK01	PARETE DI ASPIRAZIONE 10 2/1	SUCTION WALL 10 2/1			t;u;w;x
131	0CK323	04P0187700	BOCCOLA IGUS 'IGLIDUR MCM-12-02'	BUSH IGUS 'IGLIDUR MCM-12-02'		X	
132	0CK703	050340BC01	FIANCO DESTRO	RIGHT SIDE PANEL			b;c;e;f
132	0CK701	050340BK01	FIANCO DESTRO	RIGHT SIDE PANEL			n;o;q;r
132	0CK704	050340BD01	FIANCO DESTRO	RIGHT SIDE PANEL			h;i;k;l
132	0CK702	050340BL01	FIANCO DESTRO	RIGHT SIDE PANEL			t;u;w;x
133	0CK434	083040MR06	KIT PORTA INCERNIERATA A DESTRA 061 ELUX 3 VETRI	RIGHT HINGED DOOR KIT 3 GLASSES 6/1			b;c;e;f - ELUX
133	0CK446	083040N306	KIT PORTA INCERNIERATA A DESTRA 061 ZAN 3 VETRI	RIGHT HINGED DOOR KIT 3 GLASSES 6/1			b;c;e;f - ZAN
133	0CK458	083040NG06	KIT PORTA INCERNIERATA A DESTRA 061 TO BRAND 3 VETRI	RIGHT HINGED DOOR KIT 3 GLASSES 6/1			b;c;e;f - TO BRAND
133	0CK436	083040MT06	KIT PORTA INCERNIERATA A DESTRA 062 ELUX 3 VETRI	RIGHT HINGED DOOR KIT 3 GLASSES 6/2			h;i;k;l - ELUX
133	0CK448	083040N506	KIT PORTA INCERNIERATA A DESTRA 062 ZAN 3 VETRI	RIGHT HINGED DOOR KIT 3 GLASSES 6/2			h;i;k;l - ZAN
133	0CK460	083040NJ06	KIT PORTA INCERNIERATA A DESTRA 062 TO BRAND 3 VETRI	RIGHT HINGED DOOR KIT 3 GLASSES 6/2			h;i;k;l - TO BRAND
133	0CK438	083040MV06	KIT PORTA INCERNIERATA A DESTRA 101 ELUX 3 VETRI	RIGHT HINGED DOOR KIT 3 GLASSES 10/1			n;o;q;r - ELUX

SKYLINE 3.0							
Pos	Spare part Code	Factory code	Descrizione	Description	V	W & T	Ref./Notes
133	0CK450	083040N706	KIT PORTA INCERNIERATA A DESTRA 101 ZAN 3 VETRI	RIGHT HINGED DOOR KIT 3 GLASSES 10/1			n;o;q;r - ZAN
133	0CK462	083040NL06	KIT PORTA INCERNIERATA A DESTRA 101 TO BRAND 3 VETRI	RIGHT HINGED DOOR KIT 3 GLASSES 10/1			n;o;q;r - TO BRAND
133	0CK440	083040MX06	KIT PORTA INCERNIERATA A DESTRA 102 ELUX 3 VETRI	RIGHT HINGED DOOR KIT 3 GLASSES 10/2			t;u;w;x - ELUX
133	0CK452	083040N906	KIT PORTA INCERNIERATA A DESTRA 102 ZAN 3 VETRI	RIGHT HINGED DOOR KIT 3 GLASSES 10/2			t;u;w;x - ZAN
133	0CK464	083040NN06	KIT PORTA INCERNIERATA A DESTRA 102 TO BRAND 3 VETRI	RIGHT HINGED DOOR KIT 3 GLASSES 10/2			t;u;w;x - TO BRAND
133	0CK470	083040LX06	KIT PORTA INCERNIERATA A SINISTRA 061 ELUX CKM 3V	LEFT HINGED DOOR KIT 3 GLASSES 6/1			b;c;e,f - ELUX
133	0CK477	083040M506	KIT PORTA INCERNIERATA A SINISTRA 061 ZAN CKM 3V	LEFT HINGED DOOR KIT 3 GLASSES 6/1			b;c;e,f - ZAN
133	0CK484	083040MD05	KIT PORTA INCERNIERATA A SINISTRA 061 TO BRAND CKM 3V	LEFT HINGED DOOR KIT 3 GLASSES 6/1			b;c;e,f - TO BRAND
133	0CK472	083040LZ06	KIT PORTA INCERNIERATA A SINISTRA 062 ELUX CKM 3V	LEFT HINGED DOOR KIT 3 GLASSES 6/2			h;i;k,l - ELUX
133	0CK479	083040M705	KIT PORTA INCERNIERATA A SINISTRA 062 ZAN CKM 3V	LEFT HINGED DOOR KIT 3 GLASSES 6/2			h;i;k,l - ZAN
133	0CK486	083040MG05	KIT PORTA INCERNIERATA A SINISTRA 062 TO BRAND CKM 3V	LEFT HINGED DOOR KIT 3 GLASSES 6/2			h;i;k,l - TO BRAND
133	0CK474	083040M107	KIT PORTA INCERNIERATA A SINISTRA 101 ELUX CKM 3V	LEFT HINGED DOOR KIT 3 GLASSES 10/1			n;o;q;r - ELUX
133	0CK480	083040M906	KIT PORTA INCERNIERATA A SINISTRA 101 ZAN CKM 3V	LEFT HINGED DOOR KIT 3 GLASSES 10/1			n;o;q;r - ZAN
133	0CK488	083040MJ06	KIT PORTA INCERNIERATA A SINISTRA 101 TO BRAND CKM 3V	LEFT HINGED DOOR KIT 3 GLASSES 10/1			n;o;q;r - TO BRAND
133	0CK476	083040M307	KIT PORTA INCERNIERATA A SINISTRA 102 ELUX CKM 3V	LEFT HINGED DOOR KIT 3 GLASSES 10/2			t;u;w;x - ELUX
133	0CK482	083040MB06	KIT PORTA INCERNIERATA A SINISTRA 102 ZAN CKM 3V	LEFT HINGED DOOR KIT 3 GLASSES 10/2			t;u;w;x - ZAN
133	0CK490	083040ML07	KIT PORTA INCERNIERATA A SINISTRA 102 TO BRAND CKM 3V	LEFT HINGED DOOR KIT 3 GLASSES 10/2			t;u;w;x - TO BRAND
134	0CK356	0855408601	ASS. VETRO INTERMEDIO PORTA	DOOR MIDDLE GLASS ASS.Y			b;c;e,f - right hinged
134	0CK357	0855408701	ASS. VETRO INTERMEDIO PORTA	DOOR MIDDLE GLASS ASS.Y			n;o;q;r - right hinged
134	0CK358	0855409801	ASS. VETRO INTERMEDIO PORTA	DOOR MIDDLE GLASS ASS.Y			h;i;k,l - right hinged
134	0CK359	0855409901	ASS. VETRO INTERMEDIO PORTA	DOOR MIDDLE GLASS ASS.Y			t;u;w;x - right hinged
134	0CK879	085540D300	ASS. VETRO INTERMEDIO PORTA	DOOR MIDDLE GLASS ASS.Y			b;c;e,f - left hinged
134	0CK88A	085540D400	ASS. VETRO INTERMEDIO PORTA	DOOR MIDDLE GLASS ASS.Y			n;o;q;r - left hinged
134	0CK88B	085540D500	ASS. VETRO INTERMEDIO PORTA	DOOR MIDDLE GLASS ASS.Y			h;k - left hinged
134	0CK88C	085540D600	ASS. VETRO INTERMEDIO PORTA	DOOR MIDDLE GLASS ASS.Y			t;w - left hinged
135	0CK351	0543403D00	ASS. GUARNIZIONE VETRO INTERMEDIO	MIDDLE GLASS GASKET ASS.Y		X	b;c;e,f
135	0CK352	0543403F00	ASS. GUARNIZIONE VETRO INTERMEDIO	MIDDLE GLASS GASKET ASS.Y		X	n;o;q;r
135	0CK353	0543403G00	ASS. GUARNIZIONE VETRO INTERMEDIO	MIDDLE GLASS GASKET ASS.Y		X	h;i;k,l
135	0CK355	0543403H00	ASS. GUARNIZIONE VETRO INTERMEDIO	MIDDLE GLASS GASKET ASS.Y		X	t;u;w;x
136	0CK410	083040LS01	ASS. SILENZIATORE 061 GPL	SILENCER ASS.Y LPG			b;c;e,f
136	0CK411	083040LT00	ASS. SILENZIATORE 062 GPL	SILENCER ASS.Y LPG			h;i;k,l
137	0CK9IC	083040V400	SONDA CELLA SUPERIORE	UPPER CAVITY PROBE		X	
*	0CK857		KIT SENSORE TEMPERATURA	TEMPERATURE SENSOR KIT			
138	0CK648	0598403Q01	ETICHETTA GPSAC	GPSAC LABEL			c;f;i;l;o;r;u;x
139	0CK654	541403200	PROTEZIONE VALVOLA VASCHETTA	CHECK VALVE PROTECTION			

SKYLINE 3.0

Pos	Spare part Code	Factory code	Descrizione	Description	V	W & T	Ref./Notes
140	0CK671	051440A901	PERNO PARETE ASPIRAZIONE E SUPPORTO TEGLIE	SUCTION WALL PIN			
141	0CK672	0514404V03	BOCCOLA INF. PARETE ASPIRAZIONE	SUCTION WALL LOWER BUSH			
142	0CK683		GRUPPO MOBILE DI AGGANCIAMENTO	LOCKING MECHANISM			
144	0CK691	0800401B02	CERNIERA X VETRO INTERNO PORTE	DOOR INNER GLASS HINGE			
145	0CK86H	506407C00	SUPPORTO SPILLONE	FOOD PROBE SUPPORT			b;c;e;f;h;i; k;l;n;o;q;r;
146	0CK86I	51440AC00	MOLLETTA AGGANCIAMENTO SPILLONE	FOOD PROBE SPRING			t;u;w;x
170	0CK9GF	83040BA01	GRIGLIA PARETE ASPIRAZIONE	SUCTION WALL GRID			
171	0TTMWX	083040QR00	KIT RICAMBIO CORNICE PORTA DX 61 ELUX 3 VETRI (+ pos. 106-109-126-131-144)	RIGHT DOOR FRAME 61 ELUX 3 GLASSES KIT (+ pos. 106-109-126-131-144)	X		RIGHT b;c;e;f - ELUX

SKYLINE 3.0							
Pos	Spare part Code	Factory code	Descrizione	Description	V	W & T	Ref./Notes
200	0CK161	541401D01	PROTEZIONE SCHEDA USER	USER INTERFACE COVER			
201	0CK037	638404D00	CAVO PROLUNGA USB	USB PROLONG		X	b;e;h;k; n;q;t;w
201		638405P00	CAVO PROLUNGA USB	USB PROLONG		X	c;f;i;l;o;r;u;x
202	0CK041	546400V01	SPORTELLINO USB	USB WINDOW		X	
203	0TTMGT	0638404V01	CABLAGGIO COMUNICAZIONE UI-ACU	UI-ACU COMMUNICATION CABLE	X		
204	0CK144	541401F03	MEMBRANA TOUCH ELECTROLUX CON BOILER	ELECTROLUX TOUCH MEMBRANE WITH BOILER		X	e;k;q;w
204	0CK298	541402502	MEMBRANA TOUCH ELECTROLUX SENZA BOILER	ELECTROLUX TOUCH MEMBRANE WITHOUT BOILER		X	b;h;n;t
204	0CK299	541401U04	MEMBRANA TOUCH ZANUSSI CON BOILER	ZANUSSI TOUCH MEMBRANE WITH BOILER		X	e;k;q;w
204	0CK300	541402704	MEMBRANA TOUCH ZANUSSI SENZA BOILER	ZANUSSI TOUCH MEMBRANE WITHOUT BOILER		X	b;h;n;t
204	0CK332	541401V02	MEMBRANA TOUCH TO BRAND	TO BRAND TOUCH MEMBRANE		X	b;e;h;k; n;q;t;w
204	0TTLG9	541402S01	MEMBRANA TOUCH DIAMOND	DIAMOND TOUCH MEMBRANE		X	b;e;h;k; n;q;t;w
204	0CK9AJ	541403F00	MEMBRANA TOUCH ENGEFOOD	ENGEFOOD TOUCH MEMBRANE		X	b;e;h;k; n;q;t;w
205	0CK9GW	675403S00	ACU –SCHEDA POWER	ACU-POWER BOARD	X		
206	0CK034	673400900	DISPLAY 7"	DISPLAY 7"	X		b;e;h;k; n;q;t;w
206a	0CK9GS		CAVETTO FLAT 40 POS. L.51MM 98	DISPLAY CABLE WIRES 40 POS. L.51MM 98	X		
207	0CK260	694400S00	FILTRO EMC	EMC FILTER		X	
207	0CK9EM	694401D00	FILTRO EMC	EMC FILTER		X	120V USA
208	046357	639804901	MORSETTIERA	MAIN TERMINAL BLOCK			
209	0L3360	63962B400	PORTA FUSIBILI (PEZZO SINGOLO)	FUSE HOLDER (SINGLE PIECE)	X	X	
211	0CK199	682400G00	VENTILATORE RAFFREDDAMENTO	COOLING FAN		X	h;i;k;l;n; o;q;r;t;u; w;x
211	0CK257	682400H00	VENTILATORE RAFFREDDAMENTO	COOLING FAN		X	b;c;e;f
212	0CK168	657400201	SONDA LAMBDA	LAMBDA PROBE		X	
213	0CK040	543401N01	CRUSCOTTO PLASTICA TOUCH	PLASTIC FRAME TOUCH			b;e;h;k; n;q;t;w
214	0CK033	675401G00	SCHEDA ON/OFF	ON/OFF BOARD	X	X	
215	0CK036	675401J01	SCHEDA BRIDGE	BRIDGE BOARD	X		b;e;h;k; n;q;t;w
215a	0CK88X	675403L01	SCHEDA CORE	CORE BOARD DAVE	X		
*	0CK674	675403M00	MICROSD HC 8GB CL4 SANDISK	MICROSD HC 8GB CL4 SANDISK			
216a	0CBAWR	0646400L00	KLIXON	BOILER SAFETY THERMOSTAT	X		
216b	0CBAWQ	0638407C01	CABLAGGIO TERMOSTATO BOILER	BOILER SAFETY THERMOSTAT WIRING	X		
217	0CK9F6	0646400P00	TERMOSTATO SICUREZZA CELLA	CAVITY SAFETY THERMOSTAT	X		
218	0CK039	655400000	ALTOPARLANTE	SPEAKER		X	b;e;h;k; n;q;t;w
219	0CK424	675403H00	INVERTER	INVERTER	X		
220	0CK643	675403K00	SMPS ALIM. SWITCHING 24V	SWITCHING FEEDER 24V	X		
221	096342	648R11400	SMPS ALIM. SWITCHING 12V	SWITCHING FEEDER 12V	X		
224	0CK9ES	0543402Y00	GUARNIZIONE CORNICE IN PLASTICA	PLASTIC FRAME GASKET			Order 2 pcs
225	0CK044	675401P02	SCHEDA USER DIGIT	DIGIT USER BOARD	X		c;f;i;l;o;r;u;x
226	0CK043	543401Q02	CRUSCOTTO PLASTICA DIGIT	PLASTIC FRAME DIGIT			c;f;i;l;o;r;u;x
227	0CK705	648401300	RELE'	RELAY	X	X	
227	0CK707	648401500	RELE'	RELAY	X	X	120V USA
228	0L5257	675403P00	SCHEDA TIGER	TIGER BOARD		X	
228a	0CBAR1	541403H00	SUPPORTO SCHEDA TIGER	TIGER IOT MODULE PLASTIC SUPPORT		X	

SKYLINE 3.0							
Pos	Spare part Code	Factory code	Descrizione	Description	V	W & T	Ref./Notes
229	0CK045	675401Q00	CAVETTO ON/OFF TOUCH	ON/OFF CABLE TOUCH		X	b;e;h;k; n;q;t;w
229	0CK329	675402K00	CAVETTO ON/OFF DIGIT	ON/OFF CABLE DIGIT		X	c;f;i;l;o;r;u;x
230	0CK254	646400A00	SONDA TEMPERATURA COMPONENTI	NTC COMPONENT TEMPERATURE PROBE	X	X	
233	0CK685	83040PL01	ASSIEME USER TOUCH	USER INTERFACE ASSEMBLY TOUCH	X		b;e;h;k n;q;t;w
234	0CK86G	830409605	ASSIEME USER DIGIT	USER INTERFACE ASSEMBLY DIGIT	X		c;f;i;l;o;r;u;x
235	0C5239	652806000	FUSIBILE 5X20 4A ST520240	FUSE 5X20 4A ST520240	X	X	
235	0L3435	0652608D00	FUSIBILE CERAMICO 5X20 250V 6.3 A T RITARDATO/OMEGA GT520263	DELAYED CERAMIC FUSE 5X20 250V 6.3 A T OMEGA GT520263	X	X	
235	0L3083	652608900	FUSIBILE CERAMICO 5X20 250V 10A T RITARDATO/OMEGA	FUSE 5X20 250V 10A	X	X	USA 120V
236	0CK032	514405001	MOLLA SPORTELLINO	SPRING		X	
237	0CK038	638404F02	CAVETTO RECOVERY	RECOVERY CABLE		X	
238	0CK030	546400U01	SUPPORTO USB	USB CAGE			
239	0CK292	541401G04	MEMBRANA DIGIT ELECTROLUX CON BOILER	ELECTROLUX DIGIT MEMBRANE WITH BOILER		X	c; ;o;u
239	0CK301	541402603	MEMBRANA DIGIT ELECTROLUX SENZA BOILER	ELECTROLUX DIGIT MEMBRANE WITHOUT BOILER		X	f;l;r;x
239	0CK302	541401W03	MEMBRANA DIGIT ZANUSSI CON BOILER	ZANUSSI DIGIT MEMBRANE WITH BOILER		X	c; ;o;u
239	0CK303	541402804	MEMBRANA DIGIT ZANUSSI SENZA BOILER	ZANUSSI DIGIT MEMBRANE WITHOUT BOILER		X	f;l;r;x
239	0CK333	541401X02	MEMBRANA DIGIT TO BRAND CON BOILER	TO BRAND DIGIT MEMBRANE WITH BOILER		X	c; ;o;u
239	0CK334	541402A02	MEMBRANA DIGIT TO BRAND SENZA BOILER	TO BRAND DIGIT MEMBRANE WITHOUT BOILER		X	f;l;r;x
239	*	541402U01	MEMBRANA DIGIT DIAMOND CON BOILER	DIAMOND DIGIT MEMBRANE WITH BOILER		X	c; ;o;u
239	*	541402T01	MEMBRANA DIGIT DIAMOND SENZA BOILER	DIAMOND DIGIT MEMBRANE WITHOUT BOILER		X	f;l;r;x
239	0CK9AK	541403G00	MEMBRANA DIGIT ENGEFOOD SENZA BOILER	ENGEFOOD DIGIT MEMBRANE WITHOUT BOILER		X	f;l;r;x
244	0CK330	675401L00	CAVETTO CONNESSIONE SPEAKER	WIRING SPEAKER		X	b;e;h;k; n;q;t;w
245	0CK622	546401700	TASTO PER TASTIERA DIGIT 13X13 H11.4MM	LIGHTED PUSH-BUTTON 13X13 H11.4MM			c;f;i;l;o;r;u;x
246	0CB910	638406L00	CAVO ETHERNET RJ45 M-M CAT.5E SCHERMATO L=1000MM	ETHERNET CABLE RJ45 M-M CAT.5E L=1000MM			b;e;h;k; n;q;t;w Peer to peer
247	0CB911	639402900	GIUNTO RJ45 - VS-08-BU-RJ45/BU - PHOENIX 1689064	CONNECTION RJ45 - VS-08-BU-RJ45/BU - PHOENIX 1689064			b;e;h;k; n;q;t;w Peer to peer
248	0CK668	546813700	TASTO PER TASTIERA DIGIT 21X21 H11.4MM	LIGHTED PUSH-BUTTON 21X21 H11.4MM			c;f;i;l;o;r;u;x
249	0CB909	0544403Q00	CONTRODADO M25 ELEKTROZUBEHOR 171541	NUT M25 ELEKTROZUBEHOR 171541			b;e;h;k; n;q;t;w Peer to peer
250	0CB907	050440HD00	SUPPORTO CONNETTORE RJ45 PAS-SANTE	CONNECTOR SUPPORT RJ45			b;e;h;k; n;q;t;w Peer to peer
251	0CB908	0544403P00	PRESSACAPO RJ45 M25 ELEKTROZUBEHOR 197939	CABLE GLAND RJ45 M25 ELEKTROZUBEHOR 197939			b;e;h;k; n;q;t;w Peer to peer
252	0CK9MO	0638407W00	CAVETTO ACU-INVERTER	ACU-INVERTER COMM.CABLE X27-J2			

SKYLINE 3.0

Pos	Spare part Code	Factory code	Descrizione	Description	V	W & T	Ref./Notes
300	0CK9IE	686400700	POMPA LAVAGGIO 220-240V 50/60HZ	CLEANING PUMP 220-240V 50/60HZ	X		
301	0CK726	51440AW00	EXTENSION FOR ISG & CLEANING INLET	ESTENSIONE PER ISG			
302	0CK9MA	0569401G00	GUARNIZIONE IN GRAFITE	GRAPHITE WASHER		X	
303a	0CK9B8	83040HS01	ASS. ELETTROVALVOLA	SOLENOID VALVE ASSEMBLY	X		c;e;i;k;o; q;u;w
303b	0CK9B9	83040HU01	ASS. ELETTROVALVOLA	SOLENOID VALVE ASSEMBLY	X		b;f;h;l; n;r;t;x
304	0CK182	541401S01	TEGOLO RACCOGLI CONDENSA	FRONT GUTTER			
305	0CK9IG	83040SX00	GRUPPO ELETTROVALVOLE RM1400	SOLENOID VALVES GROUP RM1400	X		USA all e;k;q;w c;i;o;u: - DIAM 230V - u - To Brand 230V u - ENGEFOOD
305a	0CK9IH	83040SY00	GRUPPO ELETTROVALVOLE RM1300	SOLENOID VALVES GROUP RM1300	X		b;f;h;l; n;r;t;x (except USA) c;i;o;u: - DIAM 230 - i - To Brand 230V o - all 220-240V - all 230V
306	0CK9II	83040SM00	FLUSSIMETRO	FLOW METER ASSEMBLY	X		
307	0CK9IJ	0541402G00	PROTEZIONE GRUPPO ELETTROVALVOLE RM1400	SOLENOID VALVES GROUP RM1400 PROTECTION	X		USA all e;k;q;w c;i;o;u: - DIAM 230V - u - To Brand 230V u - ENGEFOOD
307a	0CK9GR	0541402J00	PROTEZIONE GRUPPO ELETTROVALVOLE RM1300	SOLENOID VALVES GROUP RM1300 PROTECTION			b;f;h;l; n;r;t;x (except USA) c;i;o;u: - DIAM 230 - i - To Brand 230V o - all 220-240V - all 230V
308	0CK709	518401A00	FASCETTA BIFILARE DIA 21 MM	CLAMP DIAM 21 MM			
309	0CK228	696400L01	ELETTROVALVOLA.	SOLENOID VALVE	X		
310	0CK9IK	544404H00	MANICOTTO MANDATA POMPA NBR	NBR PUMP EXIT MANIFOLD	X		
311	0CK9IL	544404G00	MANICOTTO ASPIRAZIONE POMPA NBR	NBR PUMP INLET MANIFOLD	X		
312	0CK749	83040QG06	KIT DOCCETTA INTEGRATA	INTEGRATED SHOWER KIT			b;c;f;h;i;l; n;o;r;t;u;x
312	0CK749	83040QG06	KIT DOCCETTA INTEGRATA	INTEGRATED SHOWER KIT			b;c;f;h;i;l; n;o;r;t;u;x AUS
313	0CK087	541402F01	CILINDRO PASTIGLIE	CYLINDER FOR TABS		X	
314	0CK9IM	83040SR00	CONDUTTURE CLEANING SYSTEM 6 1/1	CLEANING SYSTEM PIPING 6 1/1			b;c;e;f
314	0CK9IN	83040ST00	CONDUTTURE CLEANING SYSTEM 10 1/1	CLEANING SYSTEM PIPING 10 1/1			n;o;q;r
314	0CK9IO	83040SS00	CONDUTTURE CLEANING SYSTEM 6 2/1	CLEANING SYSTEM PIPING 6 2/1			h;i;k;l
314	0CK9IP	83040SU00	CONDUTTURE CLEANING SYSTEM 10 2/1	CLEANING SYSTEM PIPING 10 2/1			t;u;w;x
315	0CBCKO	051540C700	PORTAGOMMA	HOSE FITTING			
316	0CK9IQ	544404Y00	MANICOTTO SCARICO BOILER	BOILER DRAIN MANIFOLD	X	X	
318	0CK874	0544403U01	ASS. CONDUTTURA SCARICO CONDENSA GN 2/1	CONDENSATE DRAIN PIPE GN 2/1			h;i;k;l;t;u; w;x
318	0CK708	80540GM00	ASS. CONDUTTURA SCARICO CONDENSA GN 1/1	CONDENSATE DRAIN PIPE GN 1/1			b;c;e;f; n;o;q;r;
320	0CK873	541403B00	CARTER COPERTURA FONDO	CARTER BOTTOM COVER			

SKYLINE 3.0

Pos	Spare part Code	Factory code	Descrizione	Description	V	W & T	Ref./Notes
321	0CK178	546400W01	SUPPORTO PER SCORRIMENTO DOCCETTA	SHOWER HOSE SUPPORT SLIPPING			
322	0CK203	542400001	VASCHETTA RACCOGLI CONDENZA GN 1/1	FRONT DRIP TRAY GN 1/1			b;c;e;f; n;o;q;r Ass.y 0CK196
322	0CK202	542400101	VASCHETTA RACCOGLI CONDENZA GN 2/1	FRONT DRIP TRAY GN 2/1			h;i;k;l;t;u; w;x Ass.y 0CK197
323	0CB250	689400001	VALVOLA SCARICO BOILER	BOILER DRAIN VALVE	X		EU - JAPAN c;e;i;k; o;q;u;w
323	0CB251	689400500	VALVOLA SCARICO BOILER	BOILER DRAIN VALVE	X		USA - c;e;i; k;o;q;u;w
323a	0CBCKC	515406000	PORTAGOMMA 3/4"	HOSE FITTING 3/4"			
324	0CK427	541402Z00	PANNELLO FACCIATA INFERIORE				
325	0CK9IR	544404J00	MANICOTTO A GOMITO SCARICO CELLA NBR	NBR MANIFOLD	X		
326	0CK9IS	083040SP01	ASSIEME CAMINO ABBATTITORE	STEAM EXHAUST PIPE			b;c;e;f; h;i;k;l
326	0CK9IT	083040SQ01	ASSIEME CAMINO ABBATTITORE	STEAM EXHAUST PIPE			n;o;q;r; t;u;w;x
327	0CK9L6		CONDENSATORE 4 MF	CAPACITOR 4 MF	X		
328	0CK155	514407S00	PIOLO SCARICO CONDENZA PORTA	CONDENSATE DOOR DRAIN STUD			
329	0CK193	689400700	VALVOLA MOTORIZZATA 1"	MOTORIZED BALL VALVE 1"	X		
330	0CK138	544401V02	MANICOTTO COLLEGAMENTO CAMINO	RUBBER MANIFOLD	X		
331	0CK86W	0835407C02	DOCCETTA	WATER SPRAY GUN			- e;k;q;w;all - b;h;n; t 208V-480V - c;i;o;u 380V-415V - f;l;r;x 208V - r ENGE- FOOD
331	0CK86W	0835407C02	DOCCETTA	WATER SPRAY GUN			c;f;i;l;o; r;u;x AUS
333	0CK073	805409V01	ASS. COLLETTORE SCARICO AIRBREAK	AIRBREAK DRAIN ASSEMBLY	X		
*	0CK858		KIT SONDA TEMP. ABBATTITORE FUMANE	STEAM QUENCHING TEMP. PROBE KIT			
334	0CK100	835405P00	FASCETTA A MOLLA FBS HC 38/12	SPRING CLAMP FBS HC 38/12			
335	0C8316	0830401G00	ASS. TUBO ALIM. ACQUA WRAS COLORE GRIGIO CON FILTRO	GREY HOSE WITH FILTER			
336	0CK9IU	544404K00	MANICOTTO SCARICO AIRBREAK	AIRBREAK DRAIN MANIFOLD	X		
337	0CK9IV	050440L100	FILTRO SUPPORTO DETERGENTE	DETERGENT HOLDER FILTER			
338	0CK206	544402Z00	TUBO SILICONE	SILICON HOSE			
340	0CK9IW	653400F00	SONDA NTC SICUREZZA	SAFETY NTC PROBE	X		
341	0CK304	0835405Q00	ASSIEME FASCETTA FBS HC 24/12	SPRING CLAMP FBS HC 24/12 ASSEMBLY			
342	0CK191	544402Y00	TUBO SCARICO BOILER	BOILER DRAIN HOSE	X		
344	0C5829	544819400	TUBO EPDM BLU	EPDM BLUE HOSE			
345	0CK192	544401Y00	TUBO SILICONE RETINATO	SILICONE HOSE REINFORCED			
346	0CK046	0544403300	TUBO ESTRUSO NBR 10X17	NBR HOSE 10X17			
348	047578	518604001	FASCETTA TORRO SW1 25-40/9 IVP	CLAMP SW1 25-40/9 IVP			
349	0L3736	640613Q00	SENS. REED CASSETTO PASTIGLIE	TABS DRAWER REED SENSOR			
351	0CK007	654400300	SENSORE REED PORTA DX	RIGHT DOOR REED SENSOR	X		L=470m
351	0CK384	654400500	SENSORE REED PORTA SX	LEFT DOOR REED SENSOR	X		L=1100m
352	0CK655	542400D00	SUPPORTO PASTIGLIE	TABS HOLDER			
353	0CK246	514406V01	MOLLA TAPPO	CUP SPRING			
354	0CK656	543403W01	GUARNIZIONE TAPPO	CUP GASKET			
355	0TH068	0218163005	DADO AUTOBLOC. M5 H6.8 AISI 304 DIN 982 LUBRIFICATO	NUT M5 H6.8 AISI 304 DIN 982			

SKYLINE 3.0

Pos	Spare part Code	Factory code	Descrizione	Description	V	W & T	Ref./Notes
356	0CK645	80540GG00	TAPPO FISSO	FIX CUP			
357	0CK322	80540DK04	ASSIEME TAPPO SERBATOIO CHIMICA	CUP TANK ASSEMBLY			
359	0CK669	001541900	RONDELLA INOX (5X15X1,5)	INOX WASHER (5X15X1,5)			
360	0CK9IX	835407P00	FASCETTA A MOLLA FBS HC 32/12	SPRING CLAMP FBS HC 32/12			
361	0S1279	0P.P313.00.00	SEGER PER MINIREEL (PER FORO d. 28)	SEEGER diam. 28 mm			
362	0CK88S	546401N01	RACCORDO A Y PORTAGOMMA ELDON JAMES 3/8	THREE WAYS FITTING			
363	0CBAJ9	P666	O-RINGS KIT	O-RINGS KIT			
364	0CK429	0R.F193	TUBO FLESSIBILE GOMMA EPDM	HOSE WITH O-RINGS AND COUPLINGS			d.6x12m length1.35 mt
365	0CK430	0R.P470	MOLLA SAGOMATA	SPRING			
366	0CBAJ8	080540H200	TESTA DOCCIA	SPRAY VALVE			
367	0CK600	544401S01	COLLETTORE RPE DN19 CON FILTRO 3/4"	COLLECTOR			
369	0CK9B3	080540J200	ASS. RACCORDO 3/4" INGRESSO ACQUA	DOUBLE CHECK VALVE ASSEMBLY		X	
370	0CK872	0639721300	CAVALLOTTO				h;i;k;l;t;u; w;x
371	0C5385	835872300	FASCETTA NORMACLAMP COBRA DN 16X8	CLAMP COBRA DN 16 X 8			
372	0PRRXL	080540HY00	ASS. TUBO INGRESSO	INLET HOSE ASSEMBLY			
373	0L0674	080540H100	ASSIEME RACCORDO PINTOSI 90°	90° FITTING ASSEMBLY			
375	0CK9IY	050440M100	STAFFA POMPA E GUIDA CONDUTTURA	PUMP BRACKET AND PIPE GUIDE			
376	094193	0518707700	VITE M6X16 A TESTA FLANGIATA DENTELLATA ZN/CR	SCREW M6X16			
377	0CK9IZ	0835405M00	FASCETTA A MOLLA CON PREFIX FBS HC 17/12	SPRING CLAMP FBS HC 17/12			
378	0C5564	0510828000	PORTAGOMMA 1/4' PER TUBO DIA 10	HOSE FITTING 1/4'			
379	0CK9J0	051440CF00	UGELLO AISI 303 AT 1/4F FIS 3/8M	NOZZLE AISI 303 AT 1/4F FIS 3/8M			

## SKYLINE 3.0

Pos	Spare part Code	Factory code	Descrizione	Description	V	W & T	Ref./Notes
400	0CK9F7	083040W600	KIT BOILER 6 1/1-6 2/1	KIT BOILER 6 1/1-6 2/1	X		c;e;i;k
400	0CK9F8	083040W700	KIT BOILER 10 1/1-10 2/1	KIT BOILER 10 1/1-10 2/1	X		o;q;u;w
401	0CK189	544401B01	TUBO INGRESSO VAPORE	STEAM INLET HOSE	X		
402	007033	830890501	SONDA LIVELLO ACQUA	WATER LEVEL SENSOR	X		
403	0CK119	543402K00	GUARNIZIONE CANDELINA ACC.NE	IGNITION ROD GASKET	X	X	
404	0CK270	83040BY01	SENSORE DI TEMPERATURA BOILER	BOILER TEMPERATURE SENSOR	X		
405	0CK115	543402J01	GUARNIZIONE BRUCIATORE	BURNER GASKET	X	X	b;c;e;f;n;o;q;r
405	0CK116	543402L02	GUARNIZ. BRUCIATORE 6 2/1-10 2/1	BURNER GASKET 6 2/1-10 2/1	X	X	h;i;k;l;t;u;w;x
406	0CK286	835403Z02	BRUCIATORE BOILER 61-62-101-102	BOILER BURNER 61-62-101-102	X		Order KIT 0CBAKR
407	0CK273	83040CD05	CAND. ACC.NE BOILER 61-62-101-102	BOILER IGNITION ROD 61-62-101-102	X	X	Order KIT 0CBAN2
408	0CK124	543402H01	GUARNIZIONE SOFFIANTE	BLOWER GASKET	X	X	
409	0C4105	624810600	ACCENDITORE	IGNITER	X	X	
410	0CK159	83040DL02	PROLUNGA BRUCIATORE	BURNER PROLONG			
411	0C1044	518807600	MOLLA	SPRING		X	
412	0CK146	511400V00	MIXER	MIXER	X		
413a	0CK134	560401B04	ISOLANTE BOILER 6 1/1-6 2/1-a	BOILER INSULATION 6 1/1-6 2/1-a			c;e;i;k - a
413a	0CK131	560401F04	ISOLANTE BOILER 10 1/1-10 2/1-a	BOILER INSULATION 10 1/1-10 2/1-a			o;q;u;w - a
413b	0CK135	560401C04	ISOLANTE BOILER 6 1/1-6 2/1-b	BOILER INSULATION 6 1/1-6 2/1-b			c;e;i;k - b
413b	0CK132	560401G04	ISOLANTE BOILER 10 1/1-10 2/1-b	BOILER INSULATION 10 1/1-10 2/1-b			o;q;u;w - b
413c	0CK136	560401D01	ISOLANTE BOILER 6 1/1-6 2/1-c	BOILER INSULATION 6 1/1-6 2/1-c			c;e;i;k - c
413c	0CK133	560401H01	ISOLANTE BOILER 10 1/1-10 2/1-c	BOILER INSULATION 10 1/1-10 2/1-c			o;q;u;w - c
414	0CK198	682400C00	VENTILATORE 50 Hz	BLOWER 50 Hz	X		For 50Hz
414	0CK409	682400K00	VENTILATORE 60 Hz	BLOWER 60 Hz	X		For 60Hz
415	0CK188	515404902	TUBO INGRESSO ARIA	AIR INLET PIPE			
416	0CBAWR	0646400L00	KLIXON	BOILER SAFETY THERMOSTAT	X		
	0CBAWQ	0638407C01	CABLAGGIO TERMOSTATO BOILER	BOILER SAFETY THERMOSTAT WIRING	X		
417	0CK006	805409304	ASSIEME VALVOLA ARIA	AIR INLET VALVE	X	X	
417a	0CK9CQ	543402R00	GUARNIZIONE VALVOLA ARIA	AIR INLET VALVE GASKET			
418	0CB693	835403V00	REGOLATORE DI PRESSIONE MERTIK	GAS PRESSURE REGULATOR			Including spring (silver for G20, Blue for LPG)
419	0CK186	83040DJ02	TUBO FLESSIBILE 10 1/1-10 2/1	FLEX HOSE 10 1/1-10 2/1		X	n;o;q;r;t;u;w;x
419	0CK187	83040D901	TUBO FLESSIBILE 6 1/1-6 2/1	FLEX HOSE 6 1/1-6 2/1		X	b;c;e;f;h;i;k;l
420	0CK072	569400Q00	KIT TENUTA ALBERO MOTORE	MOTOR SHAFT SEALING KIT		X	
420a	0E5372	W00501300	DADO FLANG.M5 RFR A2-70 ZIGRINATO AISI 304	NUT M5 AISI 304			
421	0CB248	543831901	GUARNIZIONE	GASKET		X	
422	0CK109	501400P01	FLANGIA CAMINO 6 1/1-10 1/1	CHIMNEY FLANGE 6 1/1-10 1/1			
422	0CK110	501400Q02	FLANGIA CAMINO 6 2/1-10 2/1	CHIMNEY FLANGE 6 2/1-10 2/1			
423	0C1057	835859602	VALVOLA GAS 50 Hz	GAS VALVE 50 Hz	X		For 50 Hz Order KIT 0CBAN9
423	0C1879	835867200	VALVOLA GAS 60 Hz	GAS VALVE 60 Hz	X		For 60 Hz Order KIT 0CBAKU
424	052671	515801715	TENUTA BICONICA	BICONICAL SEALING		X	
425	0C1058	516847000	DADO 3/4"	NUT 3/4"		X	
426	0CK315	805409Z02	RIBALTA GAS 06-10 CON BOILER	MANIFOLD 06-10 WITH BOILER			c;e;i;k;o;q;u;w
426	0CK316	80540BW00	RIBALTA GAS 06-10 SENZA BOILER	MANIFOLD 06-10 WITHOUT BOILER			b;f;h;l;n;r;t;x
426	0CK405	80540BM01	RIBALTA GAS 06-10 CON BOILER	MANIFOLD 06-10 WITH BOILER			c;e;i;k;o;q;u;w US

## SKYLINE 3.0

Pos	Spare part Code	Factory code	Descrizione	Description	V	W & T	Ref./Notes
426	0CK405	80540BM01	RIBALTA GAS 06-10 CON BOILER	MANIFOLD 06-10 WITH BOILER			c;e;i;k;o;q;u;w JAP up to 2025/48
<b>426</b>	<b>0CK315</b>	<b>805409Z02</b>	<b>RIBALTA GAS 06-10 CON BOILER</b>	<b>MANIFOLD 06-10 WITH BOILER</b>			<b>c;e;i;k;o;q; u;w JAP from 2025/49</b>
426	0CK9CV	80540BX01	RIBALTA GAS 06-10 SENZA BOILER	MANIFOLD 06-10 WITHOUT BOILER			b;f;h;l;n;r;t;x US
426	0CK9CV	80540BX01	RIBALTA GAS 06-10 SENZA BOILER	MANIFOLD 06-10 WITHOUT BOILER			b;f;h;l;n;r;t;x JAP up to 2025/48
<b>426</b>	<b>0CK316</b>	<b>80540BW00</b>	<b>RIBALTA GAS 06-10 SENZA BOILER</b>	<b>MANIFOLD 06-10 WITHOUT BOILER</b>			<b>b;f;h;l;n;r;t;x JAP from 2025/49</b>
427	006451	147018082	NASTRO ADESIVO ALLUMINATO	ALLUMINIUM ADHESIVE TAPE			
428	0CK286	835403Z02	BRUCIATORE CELLA 6 1/1-10 1/1	CAVITY BURNER 6 1/1-10 1/1	X		b;c;e;f;n;o;q;r Order KIT OCBAKR
428	0CK287	835404001	BRUCIATORE CELLA 6 2/1-10 2/1	CAVITY BURNER 6 2/1-10 2/1	X		h;i;k;l;t;u;w;x Order KIT OCBAKT
429	0CK403	624400P01	TRASFORMATORE TOROIDALE 550VA	TRANSFORMER 550 VA	X		100-120-200- 208-220-230- 240
430	0CK185	83040DB01	TUBO FLESSIBILE 10 1/1-10 2/1	FLEX HOSE 10 1/1-10 2/1		X	n;o;q;r;t;u;w;x
430	0CK9D3	83040NY00	TUBO FLESSIBILE 6 1/1-6 2/1	FLEX HOSE 6 1/1-6 2/1		X	b;c;e;f;h;i;k;l
431	0CK9H2	080540L900	KIT RIPRISTINO PRIGIONIERI	STUD RESTORE KIT			
432	0CK115	543402J01	GUARNIZIONE BRUCIATORE	BURNER GASKET	X	X	b;c;e;f;n;o;q;r
432	0CK116	543402L02	GUARNIZ. BRUCIATORE 6 2/1-10 2/1	BURNER GASKET 6 2/1-10 2/1	X	X	h;i;k;l;t;u;w;x
433	0CK273	83040CD05	CAND. ACC.NE CELLA 6 1/1-10 1/1	CAVITY IGNITION ROD 6 1/1-10 1/1	X	X	b;c;e;f;n;o;q;r Order KIT OCBAN2
433	0CK279	83040GM02	CAND. ACC.NE CELLA 6 2/1-10 2/1	CAVITY IGNITION ROD 6 2/1-10 2/1	X	X	h;i;k;l;t;u;w;x Order KIT OCBAN3
434	0CK150	611400C02	MOTORE FIR 750W	FIR MOTOR 750W	X		h;i;k;l;t;u;w;x Order KIT OCBAMZ
434	0CK422	611400B03	MOTORE FIR 450W	FIR MOTOR 450W	X		b;c;e;f;n;o;q;r Order KIT OCBAN0
435	0CK871	541403900	TEGOLO PARAGOCCE	DRIP PROTECTION			
436	0CK200	504409J00	VENTOLA GN 1/1	FAN GN1/1			b;c;e;f;n;o;q;r
436	0CK201	504409K00	VENTOLA GN 2/1	FAN GN 2/1			h;i;k;l;t;u;w;x
437	0CK9GI	83040DD05	SCAMBIATORE 6 1/1	HEAT EXCHANGER 6 1/1	X		b;c;e;f Order KIT OCBAKX
437	0CK9GK	83040DG04	SCAMBIATORE 6 2/1	HEAT EXCHANGER 6 2/1	X		h;i;k;l Order KIT OCBAKY
437	0CK9GJ	83040DF05	SCAMBIATORE 10 1/1	HEAT EXCHANGER 10 1/1	X		n;o;q;r Order KIT OCBAKV
437	0CK9GM	83040JV03	SCAMBIATORE 10 2/1	HEAT EXCHANGER 10 2/1	X		t;u;w;x Order KIT OCBAL0
438	0CK122	569400X00	GUARNIZ. SCAMBIATORE 6 1/1-10 1/1	HEAT EXCHANG. GASKET 6 1/1-10 1/1	X		b;c;e;f;n;o;q;r
438	0CK123	569400Y00	GUARNIZ. SCAMBIATORE 6 2/1-10 2/1	HEAT EXCHANG. GASKET 6 2/1-10 2/1	X		h;i;k;l;t;u;w;x
439	0CK111	501400M01	FLANGIA SCAMBIATORE 6 1/1-10 1/1	HEAT EXCHANG. FLANGE 6 1/1-10 1/1	X		b;c;e;f;n;o;q;r
439	0CK112	501400N01	FLANGIA SCAMBIATORE 6 2/1-10 2/1	HEAT EXCHANG. FLANGE 6 2/1-10 2/1	X		h;i;k;l;t;u;w;x

SKYLINE 3.0

Pos	Spare part Code	Factory code	Descrizione	Description	V	W & T	Ref./Notes
440	OCK117	569400Z00	GUARNIZIONE 6 1/1-10 1/1	GASKET 6 1/1-10 1/1		X	b;c;e;f;n;o;q;r
440	OCK118	569401000	GUARNIZIONE 6 2/1-10 2/1	GASKET 6 2/1-10 2/1		X	h;i;k;l;t;u;w;x
441	OCK147	514406Q00	MOLLA	SPRING		X	
442	OC9201	0518825C01	FASCETTA A VITE CLAMP BCT-9420 X TUBO D21-44	CLAMP BCT-9420 X TUBO D21-44			
443	OCK309	217016205	VITE TENUTA VENTOLA	FAN SCREW		X	
444	OC4260	624810801	CENTRALINA CONTROLLO FIAMMA	FLAME CONTROL DEVICE	X		
445	OCK310	206300900	RONDELLA	WASHER		X	
446	OCK216	514404Z03	PERNO SUPPORTO MOTORE	MOTOR PIN SUPPORT			
447	OCK592	9F92263600	KIT SCARICO ACCIAIO	STEEL PIPES			
448	OCK593	9F92263700	KIT SCARICO PLASTICA	PLASTIC PIPES			
<b>449</b>	<b>OCB287</b>		<b>ESTRATTORE PER VENTOLA</b>	<b>EXTRACTOR FOR FAN</b>			

SKYLINE – KIT DI MANUTENZIONE – MAINTENANCE KIT

Pos	Spare Part Code KIT	Description KIT	Spare Part Code	S.P. Q.ty	Spare part position	Spare part Description	Ref./Note	Time/Cycles (hours)	Every (months)
PPM1	0CK891	6 GRIDS GN 1/1; PPM KIT	0CK222	1	115	DOOR GASKET	b; c; e; f	3200	12
			0CK226	1	118	AIR FILTER			
PPM2	0CK892	6 GRIDS GN 2/1; PPM KIT	0CK121	1	115	OVEN DOOR GASKET	h; i; k; l	3200	12
			0CK226	1	118	AIR FILTER			
PPM3	0CK893	10 GRIDS GN 1/1; PPM KIT	0CK120	1	115	OVEN DOOR GASKET	n; o; q; r	3200	12
			0CK226	1	118	AIR FILTER			
PPM4	0CK894	10 GRIDS GN 2/1; PPM KIT	0CK223	1	115	DOOR GASKET	t; u; w; x	3200	12
			0CK226	1	118	AIR FILTER			
PPM5	0CK360	SKL OV PM KIT 1	0CK120	1	115	DOOR GASKET	n; o; q; r	3200	12
			0CK226	1	118	AIR FILTER			
			0CK195	1	125	CHECK VALVE			
			0CK323	1	131	BUSH IGUS			
			0CK119	2	403	IGNITION ROD GASKET			
			0CK115	2	405-432	BURNER GASKET			
PPM6	0CK361	SKL OV PM KIT 2	0CK121	1	115	DOOR GASKET	h; i; k; l	3200	12
			0CK226	1	118	AIR FILTER			
			0CK195	1	125	CHECK VALVE			
			0CK323	1	131	BUSH IGUS			
			0CK119	2	403	IGNITION ROD GASKET			
			0CK115	2	405-432	BURNER GASKET			
PPM7	0CK362	SKL OV PM KIT 3	0CK222	1	115	DOOR GASKET	b; c; e; f	3200	12
			0CK226	1	118	AIR FILTER			
			0CK195	1	125	CHECK VALVE			
			0CK323	1	131	BUSH IGUS			
			0CK119	2	403	IGNITION ROD GASKET			
			0CK115	2	405-432	BURNER GASKET			
PPM8	0CK363	SKL OV PM KIT 4	0CK223	1	115	DOOR GASKET	t; u; w; x	3200	12
			0CK226	1	118	AIR FILTER			
			0CK195	1	125	CHECK VALVE			
			0CK323	1	131	BUSH IGUS			
			0CK119	2	403	IGNITION ROD GASKET			
			0CK115	2	405-432	BURNER GASKET			
PPM9	0CK364	SKL OV PM KIT 5	0CK120	1	115	DOOR GASKET	n; o; q; r	9600	36
			0CK226	1	118	AIR FILTER			
			0CK195	1	125	CHECK VALVE			
			0CK323	1	131	BUSH IGUS			
			0CK119	2	403	IGNITION ROD GASKET			
			0CK115	2	405-432	BURNER GASKET			
			0CK116	2	405-432	BURNER GASKET			
			0CK143	1	111	CLOSING MECHANISM			
			0CK087	1	313	CYLINDER FOR TABS			
0CK322	1	357	CUP TANK ASSEMBLY						

SKYLINE – KIT DI MANUTENZIONE – MAINTENANCE KIT

Pos	Spare Part Code KIT	Description KIT	Spare Part Code	S.P. Q.ty	Spare part position	Spare part Description	Ref./Note	Time/Cycles (hours)	Every (months)
PPM10	0CK365	SKL OV PM KIT 6	0CK121	1	115	DOOR GASKET	h; i; k; l	9600	36
			0CK226	1	118	AIR FILTER			
			0CK195	1	125	CHECK VALVE			
			0CK323	1	131	BUSH IGUS			
			0CK119	2	403	IGNITION ROD GASKET			
			0CK115	2	405-432	BURNER GASKET			
			0CK116	2	405-432	BURNER GASKET			
			0CK143	1	111	CLOSING MECHANISM			
			0CK087	1	313	CYLINDER FOR TABS			
			0CK322	1	357	CUP TANK ASSEMBLY			
PPM11	0CK366	SKL OV PM KIT 7	0CK222	1	115	DOOR GASKET	b; c; e; f	9600	36
			0CK226	1	118	AIR FILTER			
			0CK195	1	125	CHECK VALVE			
			0CK323	1	131	BUSH IGUS			
			0CK119	2	403	IGNITION ROD GASKET			
			0CK115	2	405-432	BURNER GASKET			
			0CK116	2	405-432	BURNER GASKET			
			0CK143	1	111	CLOSING MECHANISM			
			0CK087	1	313	CYLINDER FOR TABS			
			0CK322	1	357	CUP TANK ASSEMBLY			
PPM12	0CK367	SKL OV PM KIT 8	0CK223	1	115	DOOR GASKET	t; u; w; x	9600	36
			0CK226	1	118	AIR FILTER			
			0CK195	1	125	CHECK VALVE			
			0CK323	1	131	BUSH IGUS			
			0CK119	2	403	IGNITION ROD GASKET			
			0CK115	2	405-432	BURNER GASKET			
			0CK116	2	405-432	BURNER GASKET			
			0CK143	1	111	CLOSING MECHANISM			
			0CK087	1	313	CYLINDER FOR TABS			
			0CK322	1	357	CUP TANK ASSEMBLY			
PPM13	0CK368	SKL OV PM KIT 9	0CK120	1	115	DOOR GASKET	n; r	12800	48
			0CK226	1	118	AIR FILTER			
			0CK195	1	125	CHECK VALVE			
			0CK323	1	131	BUSH IGUS			
			0CK119	12	403	IGNITION ROD GASKET			
			0CK115	1	405-432	BURNER GASKET			
			0CK273	1	407-433	IGNITION ROD			
			0C4260	1	444	FLAME CONTROL DEVICE			
PPM14	0CK369	SKL OV PM KIT 10	0CK120	1	115	DOOR GASKET	o; q	12800	48
			0CK226	1	118	AIR FILTER			
			0CK195	1	125	CHECK VALVE			
			0CK323	1	131	BUSH IGUS			
			0CK119	2	403	IGNITION ROD GASKET			
			0CK115	2	405-432	BURNER GASKET			
			0CK273	2	407-433	IGNITION ROD			
			0C4260	2	444	FLAME CONTROL DEVICE			

SKYLINE – KIT DI MANUTENZIONE – MAINTENANCE KIT

Pos	Spare Part Code KIT	Description KIT	Spare Part Code	S.P. Q.ty	Spare part position	Spare part Description	Ref./Note	Time/Cycles (hours)	Every (months)
PPM15	0CK370	SKL OV PM KIT 11	0CK121	1	115	DOOR GASKET	h; l	12800	48
			0CK226	1	118	AIR FILTER			
			0CK195	1	125	CHECK VALVE			
			0CK323	1	131	BUSH IGUS			
			0CK119	1	403	IGNITION ROD GASKET			
			0CK279	1	433	IGNITION ROD			
			0CK116	1	405-432	BURNER GASKET			
PPM16	0CK371	SKL OV PM KIT 12	0CK121	1	115	DOOR GASKET	i; k	12800	48
			0CK226	1	118	AIR FILTER			
			0CK195	1	125	CHECK VALVE			
			0CK323	1	131	BUSH IGUS			
			0CK119	2	403	IGNITION ROD GASKET			
			0CK273	1	407-433	IGNITION ROD			
			0CK279	1	433	IGNITION ROD			
PPM17	0CK372	SKL OV PM KIT 13	0CK222	1	115	DOOR GASKET	b; f	12800	48
			0CK226	1	118	AIR FILTER			
			0CK195	1	125	CHECK VALVE			
			0CK323	1	131	BUSH IGUS			
			0CK119	1	403	IGNITION ROD GASKET			
			0CK115	1	405-432	BURNER GASKET			
			0CK273	1	407-433	IGNITION ROD			
PPM18	0CK373	SKL OV PM KIT 14	0CK222	1	115	DOOR GASKET	c; e	12800	48
			0CK226	1	118	AIR FILTER			
			0CK195	1	125	CHECK VALVE			
			0CK323	1	131	BUSH IGUS			
			0CK119	2	403	IGNITION ROD GASKET			
			0CK115	2	405-432	BURNER GASKET			
			0CK273	2	407-433	IGNITION ROD			
PPM19	0CK374	SKL OV PM KIT 15	0CK223	1	115	DOOR GASKET	t; x	12800	48
			0CK226	1	118	AIR FILTER			
			0CK195	1	125	CHECK VALVE			
			0CK323	1	131	BUSH IGUS			
			0CK119	1	403	IGNITION ROD GASKET			
			0CK115	1	405-432	BURNER GASKET			
			0CK279	1	433	IGNITION ROD			
PPM20	0CK375	SKL OV PM KIT 16	0CK223	1	115	DOOR GASKET	u; w	12800	48
			0CK226	1	118	AIR FILTER			
			0CK195	1	125	CHECK VALVE			
			0CK323	1	131	BUSH IGUS			
			0CK119	2	403	IGNITION ROD GASKET			
			0CK273	1	407-433	IGNITION ROD			
			0CK279	1	433	IGNITION ROD			
			0C4260	2	444	FLAME CONTROL DEVICE			

SKYLINE – KIT DI MANUTENZIONE – MAINTENANCE KIT

Pos	Spare Part Code KIT	Description KIT	Spare Part Code	S.P. Q.ty	Spare part position	Spare part Description	Ref./Note	Time/Cycles (hours)	Every (months)
PPM21	0CK376	SKL OV PM KIT 17	0CK120	1	115	DOOR GASKET	n; o; q; r	16000	60
			0CK226	1	118	AIR FILTER			
			0CK195	1	125	CHECK VALVE			
			0CK323	1	131	BUSH IGUS			
			0CK193	1	329	MOTORIZED BALL VALVE			
			0CK119	2	403	IGNITION ROD GASKET			
			0CK115	2	405-432	BURNER GASKET			
			0CK116	2	405-432	BURNER GASKET			
PPM22	0CK377	SKL OV PM KIT 18	0CK121	1	115	DOOR GASKET	h; i; k; l	16000	60
			0CK226	1	118	AIR FILTER			
			0CK195	1	125	CHECK VALVE			
			0CK323	1	131	BUSH IGUS			
			0CK193	1	329	MOTORIZED BALL VALVE			
			0CK119	2	403	IGNITION ROD GASKET			
			0CK115	2	405-432	BURNER GASKET			
			0CK116	2	405-432	BURNER GASKET			
PPM23	0CK378	SKL OV PM KIT 19	0CK222	1	115	DOOR GASKET	b; c; e; f	16000	60
			0CK226	1	118	AIR FILTER			
			0CK195	1	125	CHECK VALVE			
			0CK323	1	131	BUSH IGUS			
			0CK193	1	329	MOTORIZED BALL VALVE			
			0CK119	2	403	IGNITION ROD GASKET			
			0CK115	2	405-432	BURNER GASKET			
			0CK116	2	405-432	BURNER GASKET			
PPM24	0CK379	SKL OV PM KIT 20	0CK223	1	115	DOOR GASKET	t; u; w; x	16000	60
			0CK226	1	118	AIR FILTER			
			0CK195	1	125	CHECK VALVE			
			0CK323	1	131	BUSH IGUS			
			0CK193	1	329	MOTORIZED BALL VALVE			
			0CK119	2	403	IGNITION ROD GASKET			
			0CK115	2	405-432	BURNER GASKET			
			0CK116	2	405-432	BURNER GASKET			
0CK156	1	300	CLEANING PUMP 220-240V 50/60HZ						