



MOD : SBET/20S

Production code : 228705

Jet engine compressor drawings

Creative
MARKET

01/2026

SKYLINE/MAGISTAR ELECTRIC OVEN 3.0
FORNO ELETTRICO SKYLINE/MAGISTAR 3.0

Type Reference	Ref	Page	Description	note
COE21C3K	b		20 grids GN 1/1 - touch convect - triple glass - Smok-er/Aromatizer	
COE21C30	c		20 grids GN 1/1 - touch convect - triple glass - Standard	
COE21D30	d		20 grids GN 1/1 - digital steam - triple glass - Standard	
COE21T3K	f		20 grids GN 1/1 - touch steam - triple glass - Smoker/Aromatizer	
COE21T30	g		20 grids GN 1/1 - touch steam - triple glass - Standard	
COE21V30	h		20 grids GN 1/1 - digital convect - triple glass - Standard	
COE22C3K	j		20 grids GN 2/1 - touch convect - triple glass - Smok-er/Aromatizer	
COE22C30	k		20 grids GN 2/1 - touch convect - triple glass - Standard	
COE22D30	l		20 grids GN 2/1 - digital steam - triple glass - Standard	
COE22T3K	n		20 grids GN 2/1 - touch steam - triple glass - Smoker/Aromatizer	
COE22T30	o		20 grids GN 2/1 - touch steam - triple glass - Standard	
COE22V30	p		20 grids GN 2/1 - digital convect - triple glass - Standard	
SBES/20S	d		20 grids GN 1/1 - digital steam - triple glass - Standard	DIAMOND
SBET/20S	g		20 grids GN 1/1 - touch steam - triple glass - Standard	DIAMOND
SDE/20S	h		20 grids GN 1/1 - digital convect - triple glass - Standard	DIAMOND
SDET/20S	c		20 grids GN 1/1 - touch convect - triple glass - Standard	DIAMOND

Index

Description Type Reference/Descrizione Type Reference	2
Oven cabinet and door/Cella forno e porta	3
Electrical components/Componenti elettrici	4
Water system/Impianto idraulico	5-6
Boiler	7
Accessories/Accessori	8
Wall sealink KIT	9
Preventive Maintenance KIT	10
Spare parts list / Lista ricambi	11-22
Maintenance Kit list / Lista KIT di manutenzione	23
Bold=last change / Grassetto = ultima modifica	

Page

2
3
4
5-6
7
8
9
10
11-22
23

V = Vital spare part/Ricambio vitale
W&T = Wear&Tear and Consumable/
Ricambio usurabile e consumabile

Rev. 1

From Ser. Nr.... Up to Ser. Nr....	Ed. 2025-09 Updated	Page: 1	Doc No:595407900
---------------------------------------	------------------------	---------	-------------------------

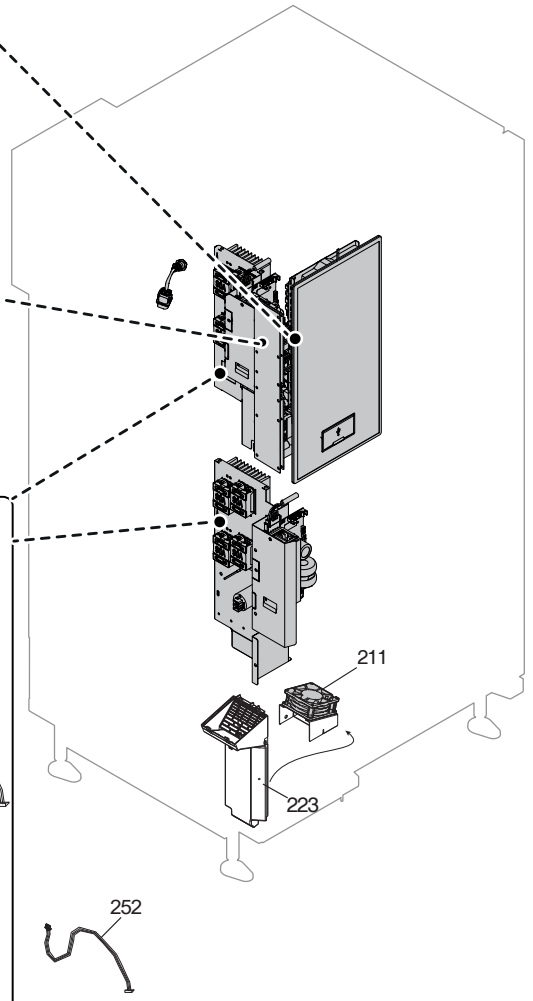
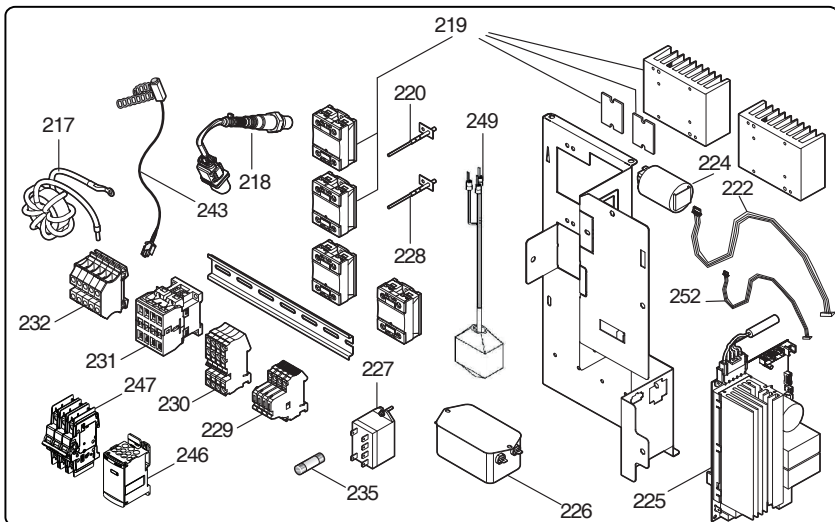
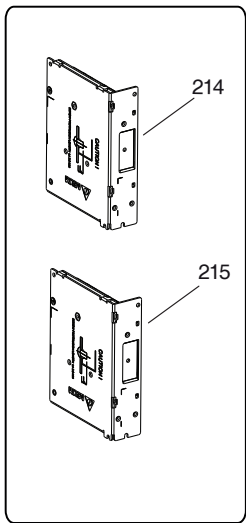
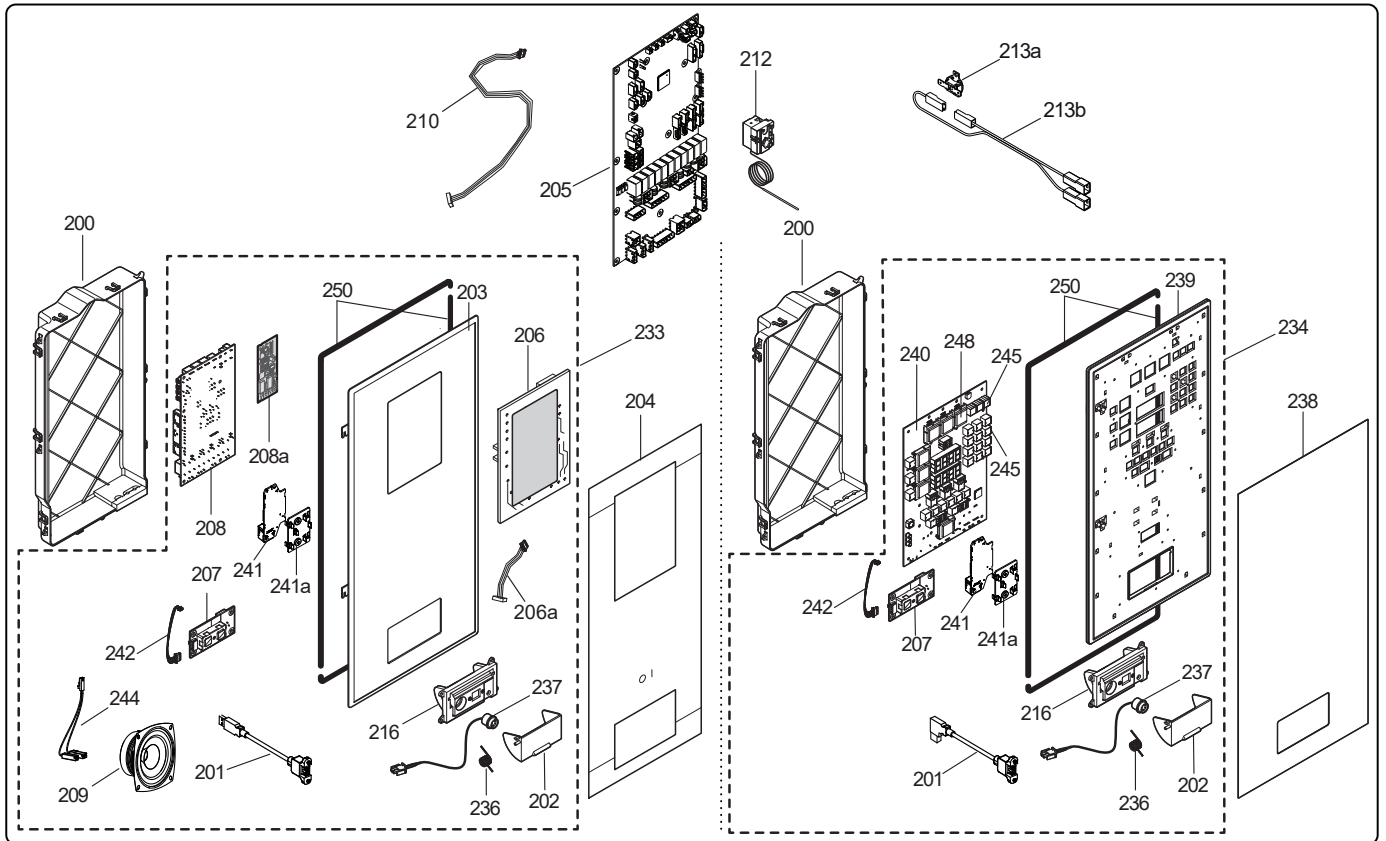
COE * * *

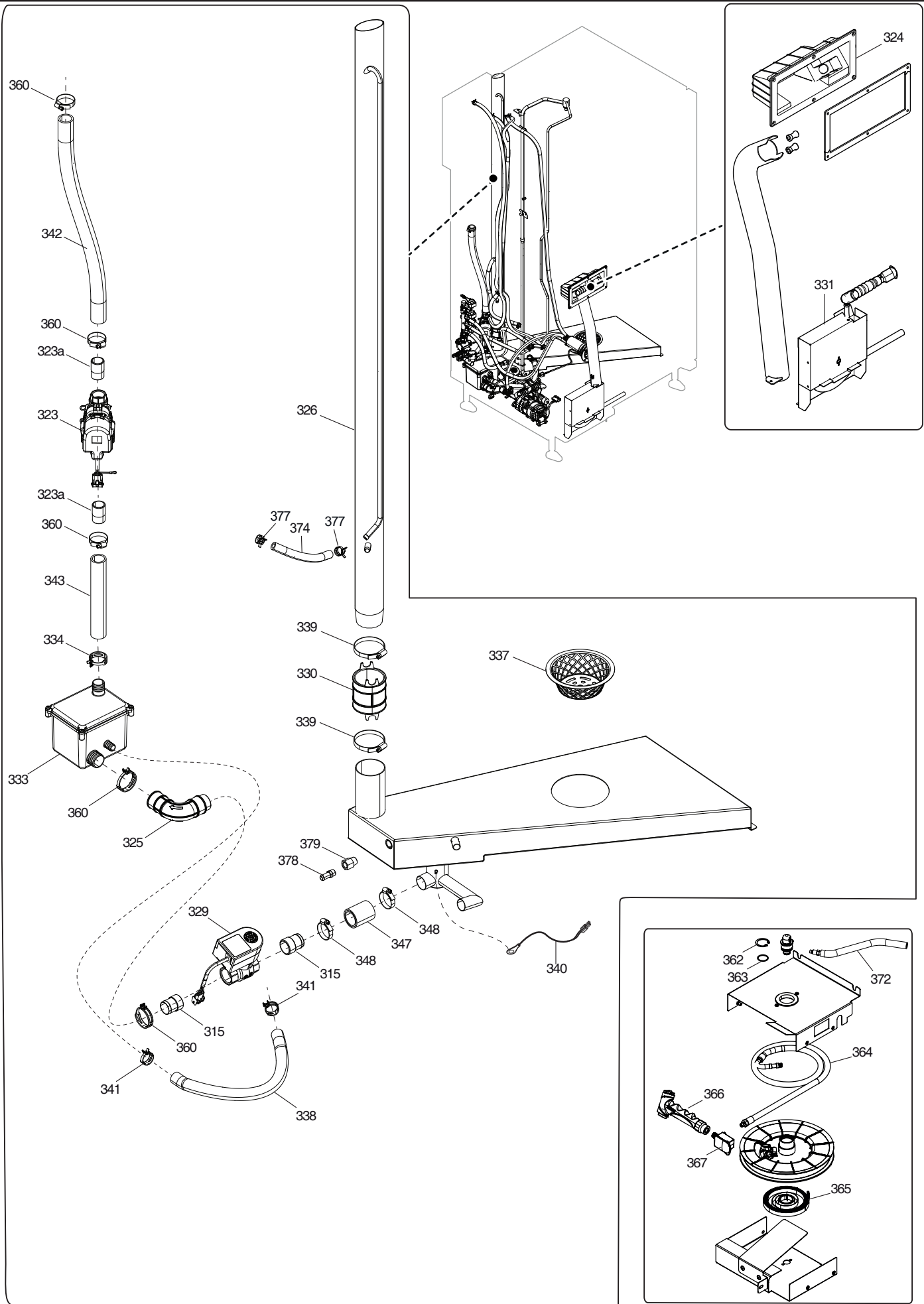
K = Smoker/Aromatizer
0 = Standard

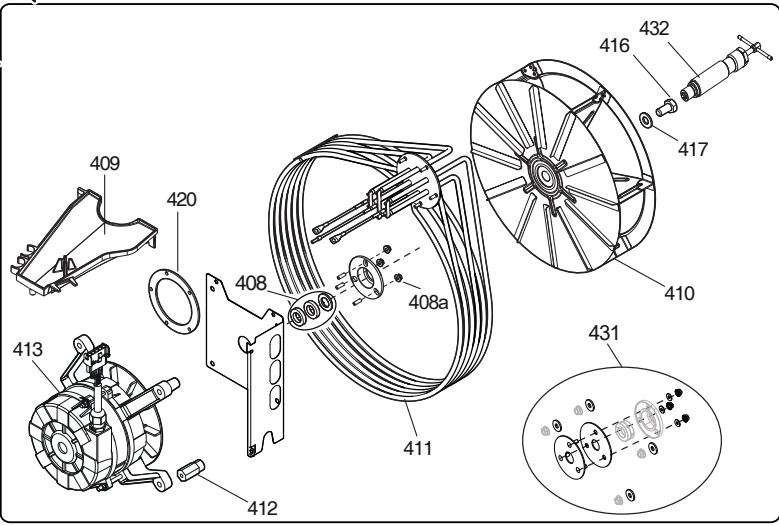
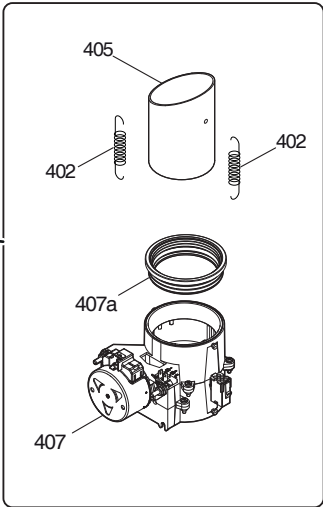
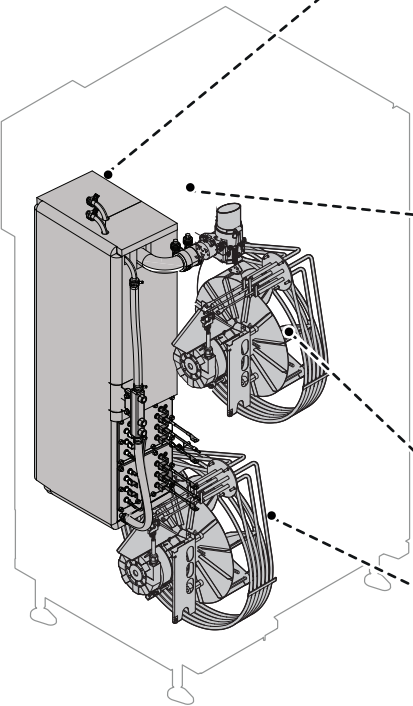
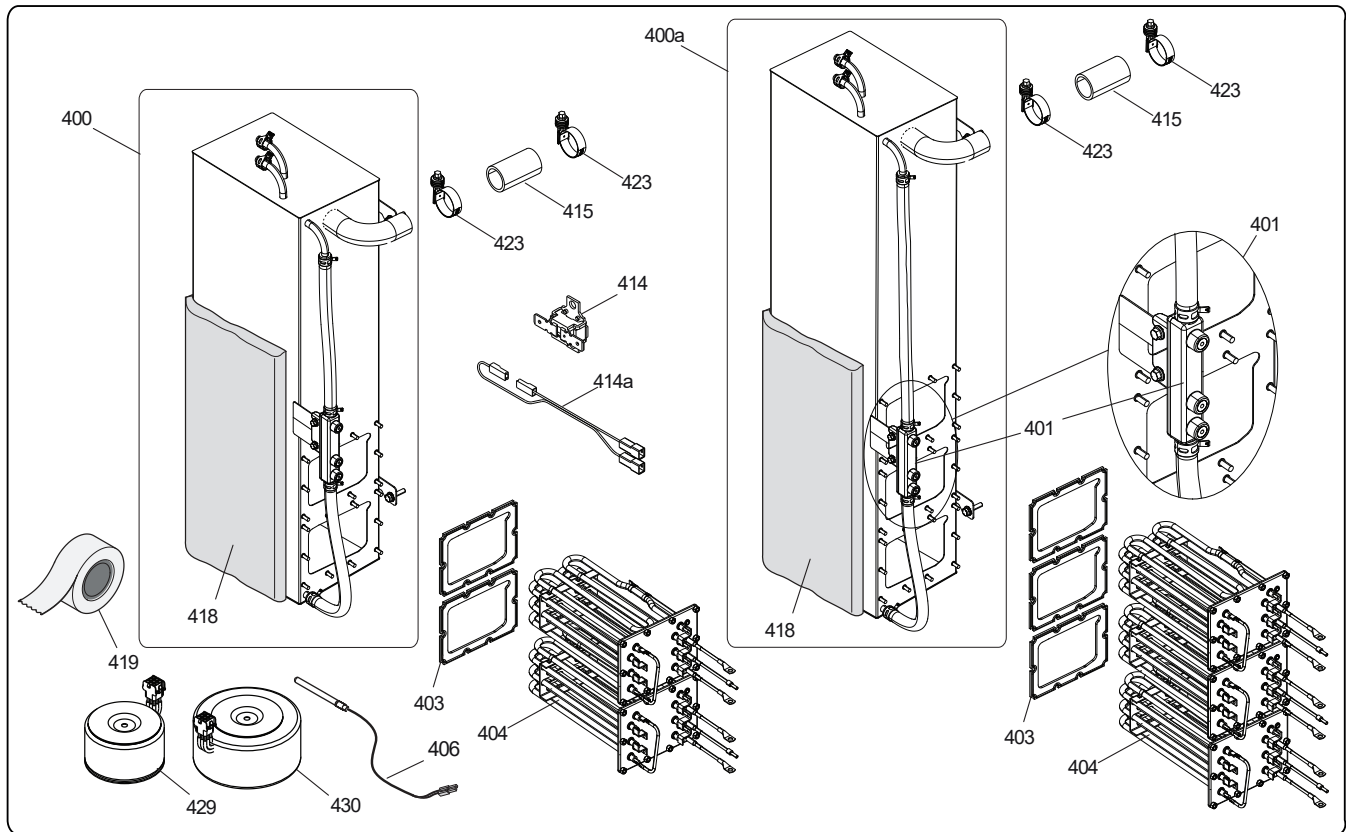
T2 = touch steam - double glass
T3 = touch steam - triple glass
C2 = touch convect – double glass
C3 = touch convect – triple glass
D2 = digital steam – double glass
D3 = digital steam – triple glass
V2 = digital convect – double glass
V3 = digital convect – triple glass

61 = 6 grids GN1/1
62 = 6 grids GN2/1
11 = 10 grids GN1/1
12 = 10 grids GN2/1
21 = 20 grids GN1/1
22 = 20 grids G21/1

COE = Combi Oven Electric

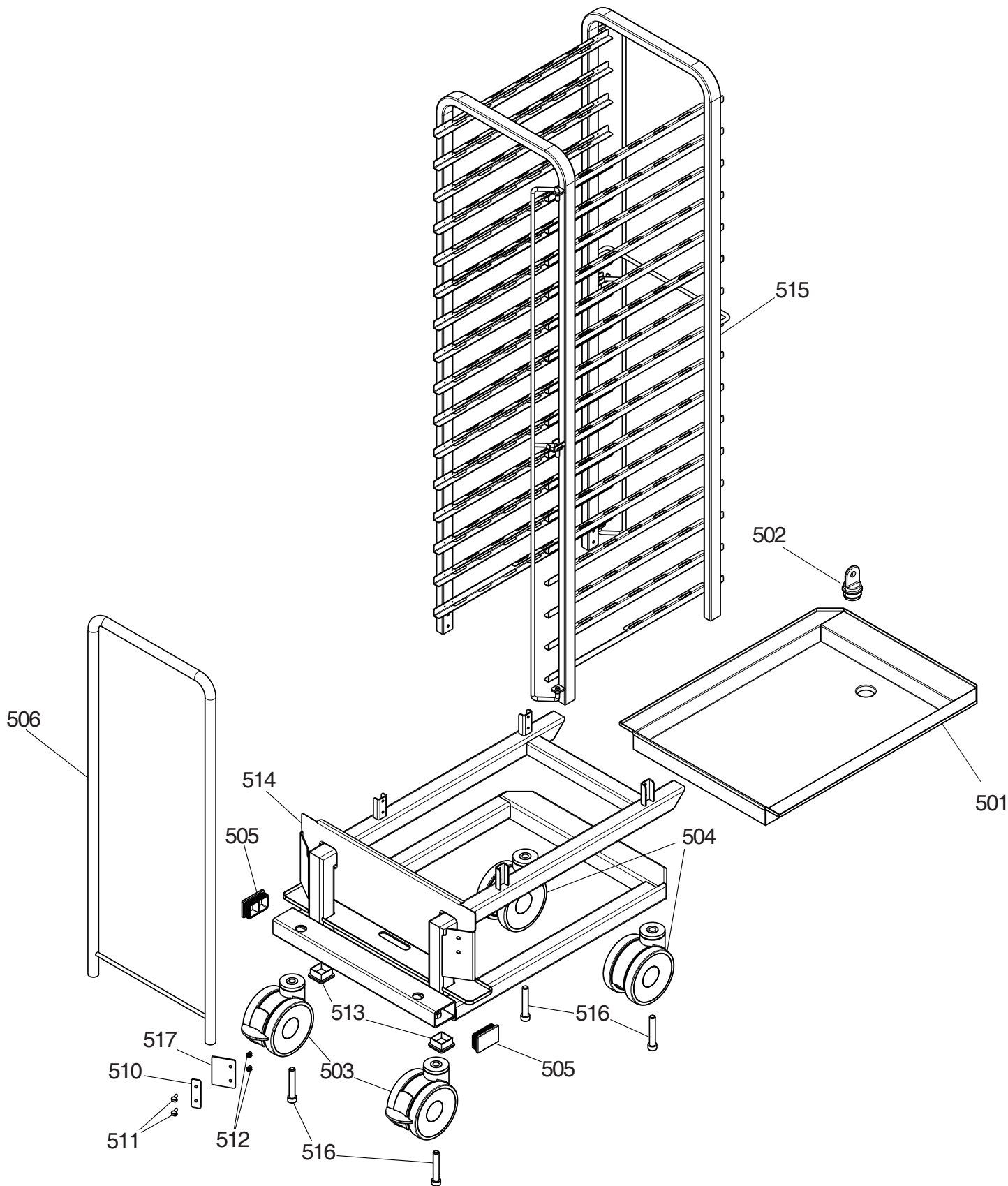






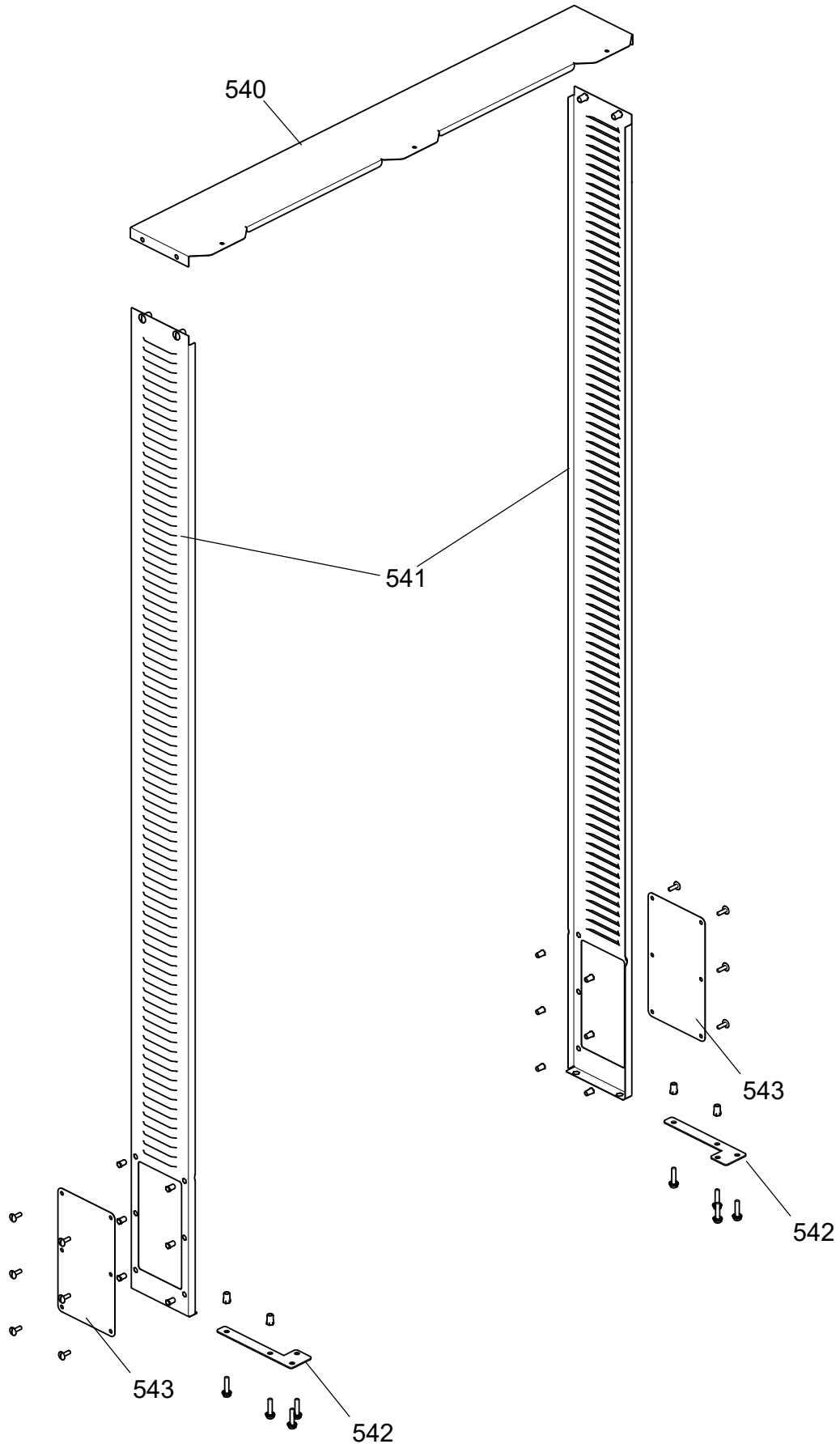
- 422 PLASTIC PIPES**
- mm 250 Ø 50 mm x1
 - mm 1000 Ø 50 mm x3
 - Ø 40 mm x1
 - Ø 50 mm x2
 - Ø 50 mm x1
 - Ø 50 mm x3

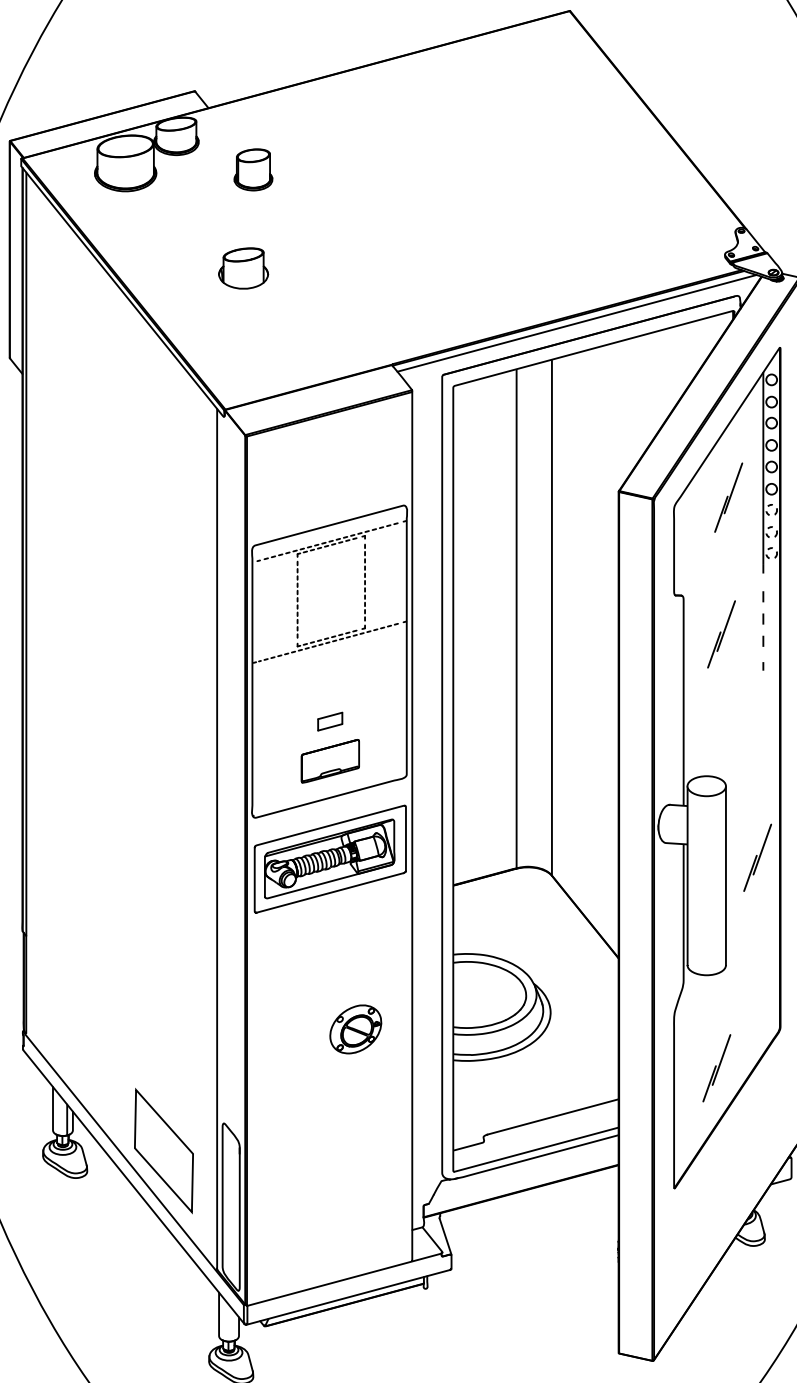
- 421 STEEL PIPES**
- mm 250 Ø 50 mm x1
 - mm 1000 Ø 50 mm x3
 - Ø 40 mm x1
 - Ø 50 mm x2
 - Ø 50 mm x1
 - Ø 50 mm x3



WALL SEALING KIT

922428	WALL SEALING KIT FOR EL. OVEN 20 GN 1/1 - MARINE
922429	WALL SEALING KIT FOR EL. OVEN 20 GN 2/1 - MARINE





- PPM1
- PPM2
- PPM3
- PPM4
- PPM5
- PPM6
- PPM7
- PPM8
- PPM9
- PPM10

SKYLINE 3.0

Pos	Spare part Code	Factory code	Descrizione	Description	V	W & T	Ref./Notes
100	0CK88K	50340C600	FIANCO SINISTRO 20 1/1	LEFT PANEL 20 1/1			b; c; d; f; g; h
100	0CK88N	50340CB00	FIANCO SINISTRO 20 2/1	LEFT PANEL 20 2/1			j; k; l; n; o; p
101	0CK88I	50340C200	SCHIENALE FORNO 20 1/1	BACK PANEL 20 1/1			b; c; d; f; g; h
101	0CK88L	50340C900	SCHIENALE FORNO 20 2/1	BACK PANEL 20 2/1			j; k; l; n; o; p
101	0CK88J	50340C300	SCHIENALE FORNO 20 1/1	BACK PANEL 20 1/1			b; c; d; f; g; h MARINE
101	0CK88M	50340CA00	SCHIENALE FORNO 20 2/1	BACK PANEL 20 2/1			j; k; l; n; o; p MARINE
102	0CK88F	50340BY00	COPERCHIO FORNO 20 1/1	TOP PANEL 20 1/1			b; c; d; f; g; h
102	0CK9CE	50340D700	COPERCHIO FORNO 20 1/1	TOP PANEL 20 1/1			b; c; d; f; g; h MARINE
102	0CK88O	50340CD00	COPERCHIO FORNO 20 2/1	TOP PANEL 20 2/1			j; k; l; n; o; p
102	0CK9CF	50340D800	COPERCHIO FORNO 20 2/1	TOP PANEL 20 2/1			j; k; l; n; o; p MARINE
103	0C4234	806847803	CERNIERA SUPERIORE	UPPER HINGE	X		
105	0CK319	830409802	MANIGLIA PORTA	DOOR HANDLE	X		ZANUSSI
106	0CK148	50440CX02	MOLLA FERMAVETRO	INNER GLASS STOPPER			
107	0CK384	654400500	SENSORE REED PORTA	DOOR REED SENSOR	X		L = 1100 mm
108	0CK88D	511401200	CERNIERA INFERIORE PORTA	LOWER HINGE	X		RIGHT HINGED
109	0CK519	511400Y00	POSIZIONATORE INFERIORE	DOOR POSITIONER			RIGHT HINGED
110	0CK671	051440A901	PERNO PARETE ASPIRAZIONE E SUP- PORTO TEGLIE	SUCTION WALL PIN			
111	0CK672	0514404V03	BOCCOLA INF. PARETE ASPIRAZIONE	SUCTION WALL LOWER BUSH			
112	0CK666	548401U03	MANIGLIA PORTA	DOOR HANDLE	X		EPR
113	0CK691	0800401B02	CERNIERA X VETRO INTERNO PORTE	DOOR INNER GLASS HINGE			
114		085540LQ00	ASSIEME VETRO INTERNO 20 1/1	INNER GLASS ASSEMBLY 20 1/1	X		b; c; d; f; g; h
114		085540LR00	ASSIEME VETRO INTERNO 20 2/1	INNER GLASS ASSEMBLY 20 2/1	X		j; k; l; n; o; p
115	0CK497	543401Z01	GUARNIZIONE CELLA-PORTA 20 1/1	DOOR GASKET 20 1/1	X	X	b; c; d; f; g; h
115	0CK548	543402001	GUARNIZIONE CELLA-PORTA 20 2/1	DOOR GASKET 20 2/1	X	X	j; k; l; n; o; p
116	0CK601	83040P302	SPILLONE MULTIPUNTO (6 PUNTI)	FOOD PRB MULTIPOINT(6 POINTS)			f; g; n; o
116	0CK602	83040P202	SPILLONE SINGOLO PUNTO	FOOD PROBE SINGLE POINT			b; c; d; h; j; k; l; p
117	0CK493	500407Q01	SUPPORTO FILTRO	FILTER SUPPORT			
118	0CK494	549401901	FILTRO ARIA	AIR FILTER		X	
119	0CK496	549401600	PIEDE	FOOT			
119	0CBAWS	80540HX01	PIEDE	FOOT			Marine
120	0CK86C	514406B02	PERNO ADATTATORE MANIGLIA	HANDLE PIN ADAPTOR			
121	0CK667	548402701	COPERCHIETTO MANIGLIA EPR	EPR HANDLE COVER			EPR
122	0CK649	0598404V01	ETICHETTA GPSAC	GPSAC LABEL			d; h; l; p
123	0CK114	543402500	GUARNIZIONE ASPIRAZIONE ARIA	AIR INLET GASKET		X	
125	0CK86I	51440AC00	MOLLETTA AGGANCIAMENTO SPILLONE	FOOD PROBE SPRING			
126	0CBAP3	0549802700	MAGNETE IN NEODIMIO 20X5X10	NEODYMIUM MAGNET 20X5X10			
127	0E1331	206004105	ROSETTA	WASHER			
128	0CBCV1	217034405	VITE M6X40	SCREW M6X40			
129	0CK082	805407P01	BARRA LED	LED BAR			
130	0CK9KH	087840CL01	PARETE DI ASPIRAZIONE 20 1/1	SUCTION WALL 20 1/1			b; c; d; f; g; h
130	0CK9KL	087840D200	PARETE DI ASPIRAZIONE 20 1/1	SUCTION WALL 20 1/1			b; c; d; f; g; h BAKERY
130	0CK9KI	087840CM01	PARETE DI ASPIRAZIONE 20 2/1	SUCTION WALL 20 2/1			j; k; l; n; o; p
131	0CK523	547400A00	BOCCOLA IGUS 'IGLIDUR	BUSH IGUS 'IGLIDUR		X	
132	0CK88E	050040D800	STELO FILETTATO	THREADED STEM			
132a	0CK9AL	544403R00	SEMIGUSCIO DX SUPPORTO PIEDINO	RIGHT HALF-SHELL FOOT SUPPORT			
132b	0CK9AM	544403T00	SEMIGUSCIO SX SUPPORTO PIEDINO	LEFT HALF-SHELL FOOT SUPPORT			
133	0CK9MG	083040V800	ASS. PORTA 3 VETRI 20 1/1	DOOR ASSY 3 GLASSES 20 1/1			c; d; g; h - EPR

SKYLINE 3.0

Pos	Spare part Code	Factory code	Descrizione	Description	V	W & T	Ref./Notes
133	0CK9MI	083040VA00	ASS. PORTA 3 VETRI 20 2/1	DOOR ASSY 3 GLASSES 20 2/1			k; l; o; p - EPR
133	0CK9MK	083040VC00	ASS. PORTA 3 VETRI 20 2/1	DOOR ASSY 3 GLASSES 20 2/1			k; l; o; p - TO BRAND
134	0CK560	855408L00	ASS. VETRO INTERMEDIO 20 1/1	MIDDLE GLASS ASS.Y 20 1/1			c; d; g; h
134	0CK561	855408K00	ASS. VETRO INTERMEDIO 20 2/1	MIDDLE GLASS ASS.Y 20 2/1			k; l; o; p
135	0CK562	543403J00	ASS. GUARN. VETRO INTERMEDIO 20 1/1	MIDDLE GLASS GASKET ASS.Y 20 1/1		X	c; d; g; h
135	0CK563	543403K00	ASS. GUARN. VETRO INTERMEDIO 20 2/1	MIDDLE GLASS GASKET ASS.Y 20 2/1		X	k; l; o; p
136	0CK525	879403X03	MECCANISMO DI CHIUSURA PORTA	DOOR LATCH		X	
137	0CK9IC	083040V400	SONDA CELLA SUPERIORE	UPPER CAVITY PROBE		X	
138	0CK9KM	083040V500	SONDA CELLA INFERIORE	LOWER CAVITY PROBE		X	
139		543404V00	GUARNIZIONE	GASKET		X	b; c; d; f; g; h
139		543404W00	GUARNIZIONE	GASKET		X	j; k; l; n; o; p
141	0C3528	544802400	PRESSACAVO	CABLE GLAND			
142	0C4122	538807400	DISTANZIALE 20/10	SPACER 20/10		X	
143	0C3802	538804900	NASELLO CHIUSURA PORTA	CATCH DOOR CLOSING		X	X
144	003822	853821600	MECCANISMO DI ESTREMITA'	HOOK		X	
145	0CK521	515409A00	ASTA SUPERIORE	SUP. LEVER DOOR LOCK MEC.		X	
146	0H6043	214593100	SPINA ELASTICA	ELASTIC PIN		X	
147	003824	853821500	CORPO CHIUSURA	CORE DOOR LOCK		X	
148	0CK9L9	80540M700	BOCCOLA	MECHANISM BUSH			
149	0CK520	515405V01	ASTA INFERIORE	INF. LEVER DOOR LOCK MEC.		X	
151	0CBAQC	80540FK01	ASSIEME LEVA AZIONAMENTO	SIMULATOR DRIVE LEVER ASSEMBLY			
152	0CK86Q	80540DH01	ASSIEME LEVA INFERIORE PIASTRA	LOWER LEVER ASSEMBLY			
153	0CK9CG	50440CK03	PIASTRA DI TENUTA	PLATE			b; c; d; f; g; h
153	0CK9CH	50440CN02	PIASTRA DI TENUTA	PLATE			j; k; l; n; o; p; q
154	0CK9CI	505408V00	ASTINA DI COLLEGAMENTO	CONNECTION ROD			b; c; d; f; g; h
154	0CK755	505408W00	ASTINA DI COLLEGAMENTO	CONNECTION ROD			j; k; l; n; o; p
155	0C8756	217432105	VITE TE M4X10 FLANGIATA DENTELLATA	SCREW M4X10			
156	0CK756	514409T01	MOLLA DI TORSIONE SINISTRA	LEFT TORSION SPRING			b; c; d; f; g; h
156	0CK757	51440A500	MOLLA DI TORSIONE SINISTRA	LEFT TORSION SPRING			j; k; l; n; o; p
157	0CK758	514409U01	MOLLA DI TORSIONE DESTRA	RIGHT TORSION SPRING			b; c; d; f; g; h
157	0CK759	51440A600	MOLLA DI TORSIONE DESTRA	RIGHT TORSION SPRING			j; k; l; n; o; p
158a	0CK9D4	511401400	LATERALE DX-SX PIASTRA SIMULATORE	RIGHT-LEFT SIDE SIMULATOR PLATE			
158b	0CK9D4	511401400	LATERALE DX-SX PIASTRA SIMULATORE	RIGHT-LEFT SIDE SIMULATOR PLATE			
159		050540AA00	SUPPORTO GUARNIZIONE CARRELLO	GASKET SUPPORT		X	b; c; d; f; g; h
159		050540AB00	SUPPORTO GUARNIZIONE CARRELLO	GASKET SUPPORT		X	j; k; l; n; o; p
160	0CBCCS	218300800	DADO ESAGONALE CIECO M10	NUT M10		X	Marine
161	0CBAOZ	510400300	MANIGLIA A LEVA	HANDLE		X	Marine
162	0TT052	206006195	ROSETTA PIANA 10,5X21X2	WASHER 10,5X21X2		X	Marine
163	0CK897	51440AB00	MOLLA FERMO PORTA	DOOR STOPPER SPRING		X	Marine
164		206400100	ROSETTA PIANA 11X30	WASHER 11X30		X	Marine
165	0CK898	544403F00	BOCCOLA SCORRIMENTO	BUSH		X	Marine
166	0CK9AD	51440AA00	PERNO FILETTATO	THREADED PIN		X	Marine
167	0CK899	544403D00	BOCCOLA PERNO	BUSH		X	Marine
168		50340AW00	DISCO DI FISSAGGIO	FIXING DISC		X	Marine
169	0TH075	218526105	DADO ESAGONALE M10X8	NUT M10X8		X	Marine
170	0CK9AE	512400600	GUIDA DI SCORRIMENTO	SLIDING GUIDE		X	Marine
171	0L2816	218575195	DADO CIECO A CALOTTA M8	NUT M8		X	Marine
172	0CK9AA	544403G00	BOCCOLA PERNO DI SCORRIMENTO	SLIDING BUSH		X	Marine
173	027019	218525105	DADO ESAGONALE M8X6,5	NUT M8X6,5		X	Marine
174	0CBCTT	217544165	VITE TSP CROCE M6X16	SCREW M6X16		X	Marine

SKYLINE 3.0

Pos	Spare part Code	Factory code	Descrizione	Description	V	W & T	Ref./Notes
175	0CK9AB	50040B000	STAFFA SUPERIORE	UPPER BRACKET		X	Marine
176	0CK9AC	50040B100	STAFFA INFERIORE	LOWER BRACKET		X	Marine
177	0TH077	218574005	DADO ESAGONALE M6	NUT M6		X	Marine
178	0CBCCU	217894600	BULLONE TTL M8X40	BOLT M8X40		X	Marine
179	0CK9GF	83040BA01	GRIGLIA SUPERIORE PARETE ASPIRAZIONE	SUCTION WALL UPPER GRID 20 1/1			b; c; d; f; g; h
179	0CK9GO	502404J00	GRIGLIA SUPERIORE PARETE ASPIRAZIONE	SUCTION WALL UPPER GRID 20 2/1			j; k; l; n; o; p
180	0CK9GF	83040BA01	GRIGLIA INFERIORE PARETE ASPIRAZIONE	SUCTION WALL LOWER GRID 20 1/1			b; c; d; f; g; h
180	0CK9GP	502404K00	GRIGLIA INFERIORE PARETE ASPIRAZIONE	SUCTION WALL LOWER GRID 20 2/1			j; k; l; n; o; p

SKYLINE 3.0							
Pos	Spare part Code	Factory code	Descrizione	Description	V	W & T	Ref./Notes
200	0CK161	541401D01	PROTEZIONE SCHEDA USER	USER INTERFACE COVER			
201	0CK037	638404D00	CAVO PROLUNGA USB	USB PROLONG		X	b; c; f; g; j; k; n; o
201		638405P00	CAVO PROLUNGA USB	USB PROLONG		X	d; h; l; p
202	0CK041	546400V01	SPORTELLINO USB	USB WINDOW		X	
203	0CK040	543401N01	CRUSCOTTO PLASTICA TOUCH	PLASTIC FRAME TOUCH			b; c; f; g; j; k; n; o
204	0CK144	541401F03	MEMBRANA TOUCH EPR CON BOILER (PREMIUM S)	EPR TOUCH MEMBRANE WITH BOILER (PREMIUM S)		X	f; g; n; o
204	0CK298	541402502	MEMBRANA TOUCH EPR SENZA BOILER (PRO S)	EPR TOUCH MEMBRANE WITHOUT BOILER (PRO S)		X	b; c; j; k
204	0CK299	541401U04	MEMBRANA TOUCH ZANUSSI CON BOILER (MAGISTAR COMBI TS)	ZANUSSI TOUCH MEMBRANE WITH BOILER (MAGISTAR COMBI TS)		X	f; g; n; o
204	0CK300	541402704	MEMBRANA TOUCH ZANUSSI SENZA BOILER (MAGISTAR COMBI TI)	ZANUSSI TOUCH MEMBRANE NO BOILER (MAGISTAR COMBI TI)		X	b; c; j; k
204	0CK332	541401V02	MEMBRANA TOUCH TO BRAND (GRIGIA)	TO BRAND TOUCH MEMBRANE (GREY)		X	b; c; f; g; j; k; n; o
204	0TTLG9	541402S01	MEMBRANA TOUCH DIAMOND	DIAMOND TOUCH MEMBRANE		X	c; g
204	0CK9AJ	541403F00	MEMBRANA TOUCH ENGEFOOD	ENGEFOOD TOUCH MEMBRANE		X	b; c; f; g; j; k; n; o
205	0CK9GW	675403S00	ACU -SCHEDA POWER	ACU-POWER BOARD	X		
206	0CK034	673400900	DISPLAY 7"	DISPLAY 7"	X		b; c; f; g; j; k; n; o
206a	0CK9GS		CAVETTO FLAT 40 POS. L.51MM 98	DISPLAY CABLE WIRES 40 POS. L.51MM 98	X		
207	0CK033	675401G00	SCHEDA ON/OFF	ON/OFF BOARD	X	X	
208	0CK036	675401J01	SCHEDA BRIDGE	BRIDGE BOARD	X		b; c; f; g; j; k; n; o
208a	0CK88X	675403L01	SCHEDA CORE	CORE BOARD DAVE	X		
*	0CK674	675403M00	MICROSD HC 8GB CL4 SANDISK	MICROSD HC 8GB CL4 SANDISK			
209	0CK039	655400000	ALTOPARLANTE	SPEAKER		X	b; c; f; g; j; k; n; o
210	0TTMGT	0638404V01	CABLAGGIO COMUNICAZIONE UI-ACU	UI-ACU COMMUNICATION CABLE	X		
211	0CK199	682400G00	VENTILATORE RAFFREDDAMENTO	COOLING FAN		X	
212	0CK9F6	0646400P00	TERMOSTATO SICUREZZA CELLA	CAVITY SAFETY THERMOSTAT	X		
213a	0CK9ID	0646400Q00	KLIXON	BOILER SAFETY THERMOSTAT	X		
213b	0CBAWQ	0638407C01	CABLAGGIO TERMOSTATO BOILER	BOILER SAFETY THERMOSTAT WIRING	X		d; f; g
213b	0CK9L2	0638407R01	CABLAGGIO TERMOSTATO BOILER	BOILER SAFETY THERMOSTAT WIRING	X		l; n; o
214	0CK643	675403K00	SMPS ALIM. SWITCHING 24V	SWITCHING FEEDER 24V	X		
215	096342	648R11400	SMPS ALIM. SWITCHING 12V	SWITCHING FEEDER 12V	X		
216	0CK030	546400U01	SUPPORTO USB	USB CAGE			
217	0CK259	694400M00	FILTRO TOROIDALE	TOROIDAL FILTER			
218	0CK168	657400201	SONDA LAMBDA	LAMBDA PROBE		X	
219	0CBAQH	835405G00	RELE' STATO SOLIDO 50A + PASTIGLIA TERMICA	SOLID STATE RELAY 50A + THERMAL PAD	X		b; c; d; f; g; h 380-400-415-440-460-480V
219	0CBAQI	835405H00	RELE' STATO SOLIDO 90A + PASTIGLIA TERMICA	SOLID STATE RELAY 90A + THERMAL PAD	X		j; k; l; n; o; p - all b; c; d; f; g; h -220/230/240V
220	0CK208	646400C02	SONDA NTC DISSIPATORE CELLA	NTC PROBE HEAT SINK-CAVITY	X	X	
222	0CK9CR	638405603	CABLAGGIO AUSILIARIO	WIRING HARNESS (ACU/INVERTER+ OTHERS)		X	
223	0CBCCJ	544403M00	CONDOTTO ARIA RAFFREDDAMENTO	AIR CONVEYOR		X	
224	0CK107	694400N00	FILTRO TRIFASE	3-PHASE FILTER		X	
224	0CK597	694401200	FILTRO TRIFASE	3-PHASE FILTER		X	Marine prod.
225	0CK424	675403H00	INVERTER	INVERTER	X		
226	0CK514	694401000	FILTRO EMC	EMC FILTER		X	415-440 V
226	0CK86F	694401800	FILTRO EMC	EMC FILTER		X	
226	0CK9EL	694401C00	FILTRO EMC	EMC FILTER		X	480V USA
226	0CK9EM	694401D00	FILTRO EMC	EMC FILTER		X	208V USA

SKYLINE 3.0

Pos	Spare part Code	Factory code	Descrizione	Description	V	W & T	Ref./Notes
227	0CK705	648401300	RELE'	RELAY	X	X	
227	0CK706	648401400	RELE'	RELAY	X	X	208V USA
228	0CK209	646400D01	SONDA NTC DISSIPATORE BOILER	NTC PROBE HEAT SINK-BOILER	X	X	
229	0L3360	63962B400	PORTAFUSIBILI (PEZZO SINGOLO) 4-HESI (5X20)	FUSEHOLDER (SINGLE PIECE) 4-HESI (5X20)	X	X	EU
229	0CBB0Z	652400H00	PORTAFUSIBILE PHOENIX PT 6-HESI (6,3X32)	FUSEHOLDER PHOENIX PT 6-HESI (6,3X32)	X	X	Marine prod.
230	0CK218	638404L00	MORSETTO PHOENIX PT6 (PEZZO SINGOLO)	PHOENIX CLAMP PT6 (SINGLE PIECE)	X	X	b; c; d; f; g; h 380-415-440V
230	0CK249	638404M00	MORSETTO PHOENIX PT16 (PEZZO SINGOLO)	PHOENIX CLAMP PT16 (SINGLE PIECE)	X	X	b; c; d; f; g; h; 220-240V j; k; l; n; o; p 220-240-380-415-440-460-480V
231	0CK231	648400W00	CONTATTORE K3-18ND 10	CONTACTOR K3-18ND 10	X	X	b; c; d; f; g; h; 380-415-440-460-480V
231	0CK291	648400Y00	CONTATTORE K3-40A00	CONTACTOR K3-40A00	X	X	b; c; d; f; g; h 208-220-240 V j; k; l; n; o; p 208-220-240-380-400-415-440-460-480 V
232	0CK501	639401X01	MORSETTIERA 35 mm2 3F+N+F	MAIN TERMINAL BLOCK 35 mm2 3F+N+F			b; c; d; f; g; h; 380-415V AUS
232	0CK598	639401Y01	MORSETTIERA 35 mm2 3F+F 230V	MAIN TERMINAL BLOCK 35 mm2 3F+F 230V			b; c; d; f; g; h; 220/240/380/ 400/415/440/ 469/480 V j; k; l; n; o; p 380/400/415/ 440/469/480 V
232	0CK599	639402101	MORSETTIERA 95 mm2 ABB DBL250 NORVEGIA	MAIN TERMINAL BLOCK 95 mm2 ABB DBL250 NORWAY			j; k; l; n; o; p 220-240V
233	0CK685	83040PL01	ASSIEME USER TOUCH	USER INTERFACE ASSEMBLY TOUCH	X		b; c; f; g; j; k; n; o
234	0CK86G	830409605	ASSIEME USER DIGIT	USER INTERFACE ASSEMBLY DIGIT	X		d; h; l; p
235	0C5239	652806000	FUSIBILE 5X20 4A ST520240	FUSE 5X20 4A ST520240	X	X	
235	0L3435	0652608D00	FUSIBILE CERAMICO 5X20 250V 6.3 A T RITARDATO/OMEGA GT520263	DELAYED CERAMIC FUSE 5X20 250V 6.3 A T OMEGA GT520263	X	X	
235	0CC014	0652400J00	FUSIBILE T 4.0A 5X20 250V CERAMICO OMEGA GT520240 (WEBER 0121400)	CERAMIC FUSE 4.0A 5X20 250V OMEGA GT520240 (WEBER 0121400)	X	X	
235	0CK727	0652400L00	FUSIBILE T 6.3A 6.3X32 500V CERAMICO WEBER 0308205 (OMEGA GT632263)	CERAMIC FUSE 6.3A 6.3X32 500V WEBER 0308205 (OMEGA GT632263)	X	X	Marine prod.
236	0CK032	514405001	MOLLA SPORTELLINO	SPRING		X	
237	0CK038	638404F02	CAVETTO RECOVERY	RECOVERY CABLE		X	
238	0CK292	541401G04	MEMBRANA DIGIT EPR CON BOILER (PREMIUM)	EPR DIGIT MEMBRANE WITH BOILER (PREMIUM)		X	d; l
238	0CK301	541402603	MEMBRANA DIGIT EPR SENZA BOILER (PRO)	EPR DIGIT MEMBRANE WITHOUT BOILER (PRO)		X	h; p
238	0CK302	541401W03	MEMBRANA DIGIT ZANUSSI CON BOILER (COMBI DS)	ZANUSSI DIGIT MEMBRANE WITH BOILER (COMBI DS)		X	d; l
238	0CK303	541402804	MEMBRANA DIGIT ZANUSSI SENZA BOILER (COMBI DI)	ZANUSSI DIGIT MEMBRANE WITHOUT BOILER (COMBI DI)		X	h; p
238	0CK333	541401X02	MEMBRANA DIGIT TO BRAND CON BOILER (GRIGIA/NERA)	TO BRAND DIGIT MEMBRANE WITH BOILER (GREY/BLACK)		X	d; l
238	0CK334	541402A02	MEMBRANA DIGIT TO BRAND SENZA BOILER (GRIGIA/NERA)	TO BRAND DIGIT MEMBRANE WITHOUT BOILER (GREY/BLACK)		X	h; p
238	*	541402U01	MEMBRANA DIGIT DIAMOND CON BOILER	DIAMOND DIGIT MEMBRANE WITH BOILER		X	d
238	*	541402T01	MEMBRANA DIGIT DIAMOND SENZA BOILER	DIAMOND DIGIT MEMBRANE WITHOUT BOILER		X	h
238	0CK9AK	541403G00	MEMBRANA DIGIT ENGEFOOD SENZA BOILER	ENGEFOOD DIGIT MEMBRANE WITHOUT BOILER		X	h; p;

SKYLINE 3.0

Pos	Spare part Code	Factory code	Descrizione	Description	V	W & T	Ref./Notes
239	0CK043	543401Q02	CRUSCOTTO PLASTICA DIGIT	PLASTIC FRAME DIGIT			d; h; l; p
240	0CK044	675401P02	SCHEDA USER DIGIT	DIGIT USER BOARD	X		d; h; l; p
241	0L5257	675403P00	SCHEDA TIGER	TIGER BOARD		X	
241a	0CBAR1	541403H00	SUPPORTO SCHEDA TIGER	TIGER IOT MODULE PLASTIC SUPPORT		X	
242	0CK045	675401Q00	CAVETTO ON/OFF TOUCH	ON/OFF CABLE TOUCH		X	b; c; f; g; j; k; n; o
242	0CK329	675402K00	CAVETTO ON/OFF DIGIT	ON/OFF CABLE DIGIT		X	d; h; l; p
243	0CK254	646400A00	SONDA TEMPERATURA COMPONENTI	NTC COMPONENT TEMPERATURE PROBE	X	X	
244	0CK330	675401L00	CAVETTO CONNESSIONE SPEAKER	WIRING SPEAKER		X	b; c; f; g; j; k; n; o
245	0CK622	546401700	TASTO PER TASTIERA DIGIT 13X13 H11.4MM	LIGHTED PUSH-BUTTON 13X13 H11.4MM			d; h; l; p
246	0CK631	639401K00	MORSETTO RIPARTITORE ABB DBL250 1SNL325010R0000	CLAMP ABB DBL250 1SNL325010R0000			j; k; l; n; o; p 208V US/230V Norway 3 pcs
247	0CK625	648401100	CIRCUIT BREAKER AUTOMATICO TRIPO-LARE 63A SU203M	CIRCUIT BREAKER 63A SU203M			j; k; l; n; o; p 208V - 4 pcs
248	0CK668	546813700	TASTO PER TASTIERA DIGIT 21X21 H11.4MM	LIGHTED PUSH-BUTTON 21X21 H11.4MM			d; h; l; p
249	0CK9EN	0694401G00	FILTRO CAPACITIVO UL "STELLA"	UL STAR CONNECTION CAPACITIVE FILTER		X	480V USA
249	0CK9EO	0694401H00	FILTRO CAPACITIVO UL "TRIANGOLO"	UL TRIANGLE CONNECTION CAPACITIVE FILTER		X	208V USA
250	0CK9ES	0543402Y00	GUARNIZIONE CORNICE IN PLASTICA	PLASTIC FRAME GASKET			Order 2 pcs
252	0CK9MO	0638407W00	CAVETTO ACU-INVERTER	ACU-INVERTER COMM.CABLE X27-J2			

SKYLINE 3.0

Pos	Spare part Code	Factory code	Descrizione	Description	V	W & T	Ref./Notes
300	0CK9IE	0686400700	POMPA LAVAGGIO 220-240V 50/60HZ	CLEANING PUMP 220-240V 50/60HZ	X		
301	0CK726	51440AW00	EXTENSION FOR ISG & CLEANING INLET	ESTENSIONE PER ISG			
302	0CK9MA	0569401G00	GUARNIZIONE IN GRAFITE	GRAPHITE WASHER		X	
303	0CK9CC	83040KA01	ASS. ELETTROVALVOLA 2 VIE RM1200	WATER VALVE ASSEMBLY 2 WAYS RPE RM1200	X		d; f; g; l; n; o
304	0C5385	835872300	FASCETTA NORMACLAMP COBRA DN 16X8	CLAMP COBRA DN 16 X 8			
305	0CK9KO	83040SZ00	GRUPPO ELETTROVALVOLE RM1400	SOLENOID VALVES GROUP RM1400	X		c; f; g; k; n; o; h ENGEFOOD; p ENGEFOOD;
305a	0CK9KP	83040T000	GRUPPO ELETTROVALVOLE RM1300	SOLENOID VALVES GROUP RM1300	X		b; d; h; j; l; p
306	0CK9KQ	083040SN00	FLUSSIMETRO	FLOW METER	X		
309	0CK228	696400L01	ELETTROVALVOLA	SOLENOID VALVE	X		
310	0CK9IK	544404H00	MANICOTTO MANDATA POMPA NBR	NBR PUMP EXIT MANIFOLD	X		
311	0CK9IL	544404G00	MANICOTTO ASPIRAZIONE POMPA NBR	NBR PUMP INLET MANIFOLD	X		
312	0CBCEB	83040KC01	ELETTROVALVOLA RM1100 ISG	RM1100 ISG SOLENOID VALVE	X		b; c; h; j; k; p
313	0CK087	541402F01	CILINDRO PASTIGLIE	CYLINDER FOR TABS		X	
314	0CK9KR	83040SV00	CONDUTT. CLEANING SYSTEM 20 1/1	CLEANING SYSTEM PIPING 20 1/1			b; c; d; f; g; h
314	0CK9KS	83040SW00	CONDUTT. CLEANING SYSTEM 20 2/1	CLEANING SYSTEM PIPING 20 2/1			j; k; l; n; o; p
315	0CK9KT	051440CC00	PORTAGOMMA	HOSE FITTING			
317	0CK9B3	080540J200	ASS. RACCORDO 3/4" INGRESSO ACQUA	DOUBLE CHECK VALVE ASSEMBLY		X	
323	0CB250	689400000	VALVOLA SCARICO BOILER	BOILER DRAIN VALVE	X		
323	0CB251	689400500	VALVOLA SCARICO BOILER	BOILER DRAIN VALVE	X		USA
323a	0CBCKC	515406000	PORTAGOMMA 3/4"	HOSE FITTING 3/4"			
324	0CK88T	80540FD04	PANNELLO FACCIATA INFERIORE	FRONT LOWER PANEL			
325	0CK9IR	544404J00	MANICOTTO A GOMITO SCARICO CELLA NBR	NBR MANIFOLD	X		
326	0CK9KU	83040T201	ASSIEME CAMINO ABBATTITORE	STEAM EXHAUST PIPE			
327	0CK9L6		CONDENSATORE 4 MF	CAPACITOR 4 MF	X		
329	0CK193	689400700	VALVOLA MOTORIZZATA 1"	MOTORIZED BALL VALVE 1"	X		
330	0CK138	544401V02	MANICOTTO COLLEGAMENTO CAMINO	RUBBER MANIFOLD		X	
331	0CK86R	835405J07	DOCCETTA	WATER SPRAY GUN			
333	0CK9KV	80540HQ01	ASS. COLLETTORE SCARICO AIR-BREAK	AIRBREAK DRAIN ASSEMBLY			
334	0CK9IX	835407P00	FASCETTA A MOLLA FBS HC 32/12	SPRING CLAMP FBS HC 32/12			
335	0C8316	0830401G00	ASS. TUBO ALIM. ACQUA WRAS COLORE GRIGIO CON FILTRO	GREY HOSE WITH FILTER			
337	0CK9IV	050440L100	FILTRO SUPPORTO DETERGENTE	DETERGENT HOLDER FILTER			
338	0CK206	544402Z00	TUBO SILICONE	SILICON HOSE			
339	046855	518602801	FASCETTA	CLAMP			
340	0CK9KW	653400D00	SONDA NTC SICUREZZA	SAFETY NTC PROBE	X		
341	0CK304	0835405Q00	ASSIEME FASCETTA FBS HC 24/12	SPRING CLAMP FBS HC 24/12 ASSEMBLY			
342	0CK9ML	544405000	TUBO SCARICO BOILER	BOILER DRAIN HOSE	X	X	b; c; d; f; g; h - 0.550 mt
342	0CK9ML	544405000	TUBO SCARICO BOILER	BOILER DRAIN HOSE	X	X	j; k; l; n; o; p - 0.390 mt
343	0CK191	544402Y00	TUBO SCARICO BOILER	BOILER DRAIN HOSE	X		
344	0C5829	544819400	TUBO EPDM BLU	EPDM BLUE HOSE			
345	0CK192	544401Y00	TUBO SILICONE RETINATO	SILICONE HOSE REINFORCED			
347	0CK9KX	544404W00	TUBO NBR TELATO (D30X41) TAGLIATO 48MM	NBR HOSE D30X41 48MM	X		
348	047578	518604001	FASCETTA TORRO SW1 25-40/9 IVP	CLAMP SW1 25-40/9 IVP			
349	0L3736	640613Q00	SENSORE REED CASSETTO PASTIGLIE	TABS DRAWER REED SENSOR			
352	0CK655	542400D00	SUPPORTO PASTIGLIE	TABS HOLDER			
353	0CK246	514406V01	MOLLA TAPPO	CUP SPRING			

SKYLINE 3.0

Pos	Spare part Code	Factory code	Descrizione	Description	V	W & T	Ref./Notes
354	0CK656	543403W01	GUARNIZIONE TAPPO	CUP GASKET			
355	0TH068	0218163005	DADO AUTOBLOC. M5 H6.8 AISI 304 DIN 982 LUBRIFICATO	NUT M5 H6.8 AISI 304 DIN 982			
356	0CK645	80540GG00	TAPPO FISSO	FIX CUP			
357	0CK322	80540DK04	ASSIEME TAPPO SERBATOIO CHIMICA	CUP TANK ASSEMBLY			
359	0CK669	001541900	RONDELLA INOX (5X15X1,5)	INOX WASHER (5X15X1,5)			
360	0CK100	835405P00	FASCETTA A MOLLA FBS HC 38/12	SPRING CLAMP FBS HC 38/12			
361	0CK88S	546401N01	RACCORDO A Y PORTAGOMMA ELDON JAMES 3/8	THREE WAYS FITTING			
362	0S1279	0219400500	SEEGER PER MINIREEL (PER FORO d. 28)	SEEGER diam. 28 mm			
363	0CBAJ9	080540HZ00	O-RINGS KIT	O-RINGS KIT			
364	0PRRXM	080540H302	TUBO FLESSIBILE GOMMA EPDM	HOSE WITH O-RINGS AND COUPLINGS			d.6x12mm, L= 2 mt
365	0CK430	0505409Y00	MOLLA SAGOMATA	SPRING			
366	0CBAJ8	80540H200	TESTA DOCCIA	SPRAY VALVE			
367	0L0674	80540H100	ASSIEME RACCORDO PINTOSI 90°	90° FITTING ASSEMBLY			
372	0PRRXN	080540J000	ASS. TUBO INGRESSO	INLET HOSE ASSEMBLY			
373	0CK9KY	0544404T00	MANICOTTO COLLEGAMENTO SCARICHI 20 1/1	DRAIN MANIFOLD CONNECTION 20 1/1			b; c; d; f; g; h
373	0CK9KZ	0544404U00	MANICOTTO COLLEGAMENTO SCARICHI 20 2/1	DRAIN MANIFOLD CONNECTION 20 2/1			j; k; l; n; o; p; q
374	0CK046	0544403300	TUBO ESTRUSO NBR 10X17	NBR HOSE 10X17			
375	0CK9L0	0507400N00	TUBO FISSAGGIO MANICOTTO POMPA	PUMP MANIFOLD FIXING PIPE			
377	0CK9IZ	0835405M00	FASCETTA A MOLLA CON PREFIX FBS HC 17/12	SPRING CLAMP FBS HC 17/12			
378	0C5564	0510828000	PORTAGOMMA 1/4' PER TUBO DIA 10	HOSE FITTING 1/4'			
379	0CK9L1	051440D400	UGELLO AISI 303 AT 1/4F FIS 3/8M D 3MM	NOZZLE AISI 303 AT 1/4F FIS 3/8M D 3MM			

SKYLINE 3.0

Pos	Spare part Code	Factory code	Descrizione	Description	V	W & T	Ref./Notes
400	0CK9ME	083040W400	KIT BOILER 20 1/1	KIT BOILER 20 1/1	X		d; f; g
400a	0CK9MF	083040W900	KIT BOILER 20 2/1	KIT BOILER 20 2/1	X		l; n; o
401	0CK9J1	549401R00	SONDE LIVELLO ACQUA	WATER LEVEL SENSORS	X		
402	0CK147	514406Q00	MOLLA	SPRING			
403	0CK9J2	0543404X00	GUARNIZIONE RESISTENZA BOILER	BOILER HEATING ELEMENT GASKET	X	X	d; f; g; l; n; o
404	0CK9J8	0617404D00	RESISTENZA BOILER 208V 18000W	BOILER HEATING ELEMENT 208V 18000W	X		d; f; g; l; n; o 208V 18000W
404	0CK9J9	0617404F00	RESISTENZA BOILER 240V 19600W	BOILER HEATING ELEMENT 240V 19600W	X		d; f; g; l; n; o 240V 19600W
404	0CK9KA	0617404G00	RESISTENZA BOILER 415V 19380W	BOILER HEATING ELEMENT 415V 19380W	X		d; f; g; l; n; o 415V 19380W
404	0CK9KB	0617404H00	RESISTENZA BOILER 440V 18846W	BOILER HEATING ELEMENT 440V 18846W	X		d; f; g; l; n; o 440V 18846W
404	0CK9KC	0617404J00	RESISTENZA BOILER 480V 18000W	BOILER HEATING ELEMENT 480V 18000W	X		d; f; g; l; n; o 480V 18000W
405	0CK188	515404902	TUBO INGRESSO ARIA	AIR INLET PIPE			
406	0CK270	83040BY01	SENSORE DI TEMPERATURA BOILER	BOILER TEMPERATURE SENSOR	X		
407	0CK006	805409304	ASSIEME VALVOLA ARIA	AIR INLET VALVE	X		
407a	0CK9CQ	543402R00	GUARNIZIONE VALVOLA ARIA	AIR INLET VALVE GASKET		X	
408	0CK072	569400Q00	KIT TENUTA ALBERO MOTORE	MOTOR SHAFT SEALING KIT		X	
408a	0E5372	W00501300	DADO FLANG.M5 RFR A2-70 ZIGRINATO AISI 304	NUT M5 AISI 304			
409	0CK871	541403900	TEGOLO PARAGOCCE	DRIP PROTECTION			
410	0CK200	504409J00	VENTOLA GN 1/1	FAN GN1/1	X		b; c; d; f; g; h
410	0CK201	504409K00	VENTOLA GN 2/1	FAN GN 2/1	X		j; k; l; n; o; p
411	0CK213	617401Y02	RESISTENZA CELLA 400V 20 1/1	CAVITY HEATING ELEM. 400V 20 1/1	X		b; c; d; f; g; h; 400V Order KIT 0CBAMA
411	0CK586	617403N00	RESISTENZA CELLA 415V 20 2/1	CAVITY HEATING ELEM. 415V 20 2/1	X		j; k; l; n; o; p; 415V Order KIT 0CBAMJ
411	0CK021	617401X01	RESISTENZA CELLA 240V 20 1/1	CAVITY HEATING ELEM. 240V 20 1/1	X		b; c; d; f; g; h; 240V Order KIT 0CBAL5
411	0CK587	617403M00	RESISTENZA CELLA 240V 20 2/1	CAVITY HEATING ELEM. 240V 20 2/1	X		j; k; l; n; o; p; 240V Order KIT 0CBAMK
411	0CK590	617401Z01	RESISTENZA CELLA 440V 20 1/1	CAVITY HEATING ELEM. 440V 20 1/1	X		b; c; d; f; g; h; 440V - AUS Order KIT 0CBAMM
411	0CC015	617403P00	RESISTENZA CELLA 440V 20 2/1	CAVITY HEATING ELEM. 440V 20 2/1	X		j; k; l; n; o; p; ; 440V - AUS Order KIT 0CBAL2
411	0CK9GV	0617403Q00	RESISTENZA CELLA 480V 20 2/1	CAVITY HEATING ELEM. 480V 20 2/1	X		j; k; l; n; o; p; 480V
412	0CK216	514404Z02	PERNO SUPPORTO MOTORE	MOTOR PIN SUPPORT			
413	0CK150	611400C02	MOTORE FIR 750W	FIR MOTOR 750W	X		j; k; l; n; o; p Order KIT 0CBAMZ
413	0CK422	611400B03	MOTORE FIR 450W	FIR MOTOR 450W	X		b; c; d; f; g; h Order KIT 0CBANO
414	0CK9ID	0646400Q00	KLIXON	BOILER SAFETY THERMOSTAT	X		
414a	0CBAWQ	0638407C01	CABLAGGIO TERMOSTATO BOILER	BOILER SAFETY THERMOSTAT WIRING	X		d; f; g
414a	0CK9L2	0638407R01	CABLAGGIO TERMOSTATO BOILER	BOILER SAFETY THERMOSTAT WIRING	X		l; n; o
415	0CK189	544401B01	TUBO INGRESSO VAPORE	STEAM INLET HOSE	X		b; c; d; f; g; h
415	0CK568	544403201	TUBO INGRESSO VAPORE	STEAM INLET HOSE	X		j; k; l; n; o; p
416	0CK309	217016205	VITE TENUTA VENTOLA	FAN SCREW			
417	0CK310	206300900	RONDELLA	WASHER			

SKYLINE 3.0

Pos	Spare part Code	Factory code	Descrizione	Description	V	W & T	Ref./Notes
418	0CK9KG	560402Z00	ISOLANTE BOILER 20 1/1	BOILER INSULATION 20 1/1			d; f; g
418	0CK9L4	560403200	ISOLANTE BOILER 20 2/1	BOILER INSULATION 20 2/1			l; n; o
419	006451	147018082	NASTRO ADESIVO ALLUMINATO	ALLUMINIUM ADHESIVE TAPE			
420	0CK118	569401000	GUARNIZIONE RESISTENZA	HEATING ELEMENT GASKET		X	
421	0CK626	9F92273800	KIT SCARICO ACCIAIO	STEEL PIPES			
422	0CK623	9F92273900	KIT SCARICO PLASTICA	PLASTIC PIPES			
423	0C9201	0518825C01	FASCETTA A VITE CLAMP BCT-9420 X TUBO D21-44	CLAMP BCT-9420 X TUBO D21-44			d; f; g
423	0CK9L5	0518401600	FASCETTA BCT MOLLE A TAZZA PER D50	SPRING CLAMP D50			l; n; o
429	0CK403	624400P01	TRASFORMATORE TOROIDALE 550VA	TRANSFORMER 550 VA	X		b; c; f; g; h; j k; n; o; p; - AUS
429	0CK403	624400P01	TRASFORMATORE TOROIDALE 550VA	TRANSFORMER 550 VA	X		b; c; f; g; j; k n; o; - 208V
430	0CK404	624400Q01	TRASFORMATORE TOROIDALE 1450VA	TRANSFORMER 1450 VA	X		d; f; g; l; n; o - MARINE 400-440 V
430	0CK404	624400Q01	TRASFORMATORE TOROIDALE 1450VA	TRANSFORMER 1450 VA	X		b; c; f; g; j; k; n; o; - 480 V
431	0CK9H2	080540L900	KIT RIPRISTINO PRIGIONIERI	STUD RESTORE KIT			
432	0CB287		ESTRATTORE PER VENTOLA	EXTRACTOR FOR FAN			

SKYLINE 3.0

Pos	Spare part Code	Factory code	Descrizione	Description	V	W & T	Ref./Notes
501	0CBCIO	050440GY01	BACINELLA RACCOLTA GN 1/1	TRAY COLLECTOR GN 1/1			b; c; d; f; g; h
501		050440H401	BACINELLA RACCOLTA GN 2/1	TRAY COLLECTOR GN 2/1			j; k; l; n; o; p
502	OCBCYG	0544404M00	TAPPO	PLUG			
503	OCK9MM	0547400F00	RUOTA CON FRENO	WHEEL WITH BRAKE			
504	OCK9MN	0547400G00	RUOTA SENZA FRENO	WHEEL WITHOUT BRAKE			
505	OCA362	0546814400	TAPPO PER TUBO 60x40	CUP 60x40			
506	OCK9EH	051540AR00	MANIGLIA GN 1/1	HANDLE GN 1/1			b; c; d; f; g; h;
506		051540BC00	MANIGLIA GN 2/1	HANDLE GN 2/1			j; k; l; n; o; p
510		0506408J00	FERMO PER PATTINO	PAD STOPPER			
511	0TTM57	0217063165	VITE TTL INTAGLIO M5X16 AISI 304	SCREW TTL M5X16 AISI 304			
512	0C1280	0518803800	INSERTO FILETTATO RF 48 M5	THREADED INSERT M5			
513		0541403K00	TAPPO CHIUSURA TUBO QUADRO 40X40X4	CUP 40X40X4			b; c; d; f; g; h;
514		0850402N00	ASSIEME BASE CARRELLO GN 1/1 P63/80/84	TROLLEY BASE ASSEMBLY GN 1/1 P63/80/84			b; c; d; f; g; h;
514		0850402U00	ASSIEME BASE CARRELLO GN 1/1 PASTICCERIA GN 1/1 400X600	TROLLEY BASE ASSEMBLY BAKERY GN 1/1 400X600			b; c; d; f; g; h;
514		085540H200	ASSIEME BASE CARRELLO GN 1/1 P74/89	TROLLEY BASE ASSEMBLY GN 1/1 P74/89			b; c; d; f; g; h;
514		0850402P00	ASSIEME BASE CARRELLO GN 2/1 P63/80/84	TROLLEY BASE ASSEMBLY GN 2/1 P63/80/84			j; k; l; n; o; p
514		0850402V00	ASSIEME BASE CARRELLO GN 2/1 PASTICCERIA GN 1/1 400X600	TROLLEY BASE ASSEMBLY BAKERY GN 2/1 400X600			j; k; l; n; o; p
514		085540H900	ASSIEME BASE CARRELLO GN 2/1 P92/116	TROLLEY BASE ASSEMBLY GN 2/1 P92/116			j; k; l; n; o; p
515		0835406L00	ASSIEME GUIDE TEGLIE GN 1/1 P63	TRAY GUIDE ASSEMBLY GN 1/1 P63			b; c; d; f; g; h;
515		0835406K00	ASSIEME GUIDE TEGLIE GN 1/1 P80	TRAY GUIDE ASSEMBLY GN 1/1 P80			b; c; d; f; g; h;
515		0835406M00	ASSIEME GUIDE TEGLIE GN 1/1 P84	TRAY GUIDE ASSEMBLY GN 1/1 P84			b; c; d; f; g; h;
515		0835407100	ASSIEME CARRELLO PASTICCERIA GN 1/1 400X600	TRAY GUIDE ASSEMBLY BAKERY GN 1/1 400x600			b; c; d; f; g; h;
515		0835407400	ASSIEME CARRELLO GN 1/1 54 PIATTI P 74	TRAY GUIDE ASSEMBLY GN 1/1 54 DISHES P74			b; c; d; f; g; h;
515		0835407500	ASSIEME CARRELLO GN 1/1 45 PIATTI P89	TRAY GUIDE ASSEMBLY GN 1/1 45 DISHES P89			b; c; d; f; g; h;
515		0835406P00	ASSIEME GUIDE TEGLIE GN 2/1 PASSO 63	TRAY GUIDE ASSEMBLY GN 2/1 P63			j; k; l; n; o; p
515		0835406N00	ASSIEME GUIDE TEGLIE GN 2/1 PASSO 80	TRAY GUIDE ASSEMBLY GN 2/1 P80			j; k; l; n; o; p
515		0835406Q00	ASSIEME GUIDE TEGLIE GN 2/1 PASSO 84	TRAY GUIDE ASSEMBLY GN 2/1 P84			j; k; l; n; o; p
515		0835407300	ASSIEME CARRELLO GN 2/1 PASTICCERIA 400X600	TRAY GUIDE ASSEMBLY BAKERY GN 2/1 400x600			j; k; l; n; o; p
515		0835407600	ASSIEME CARRELLO GN 2/1 92 PIATTI P 85	TRAY GUIDE ASSEMBLY GN 2/1 92 DISHES P85			j; k; l; n; o; p
515		0835407700	ASSIEME CARRELLO GN 2/1 116 PIATTI P 66	TRAY GUIDE ASSEMBLY GN 2/1 116 DISHES P66			j; k; l; n; o; p
516		0217301300	VITE M12 X 80 MATERIALE AISI 304 DIN912	SCREW M12X80 AISI 304 DIN912			
517		0546401J00	PATTINO IN TEFLON	TEFLON PAD			
540	0CBCGS	050040DX00	COPERTURA SUPERIORE TAMPONAMENTO 1/1	WALL SEALING KIT TOP COVER 1/1		X	b; c; d; f; g; h MARINE
540	0CBCGV	050040F000	COPERTURA SUPERIORE TAMPONAMENTO 2/1	WALL SEALING KIT TOP COVER 2/1		X	j; k; l; n; o; p MARINE
541	0CBCGR	050040DW00	TAMPONAMENTO LATERALE	SIDE SPACER		X	

SKYLINE 3.0

Pos	Spare part Code	Factory code	Descrizione	Description	V	W & T	Ref./Notes
542	0CBCGU	050040DZ00	STAFFA INFERIORE SUPPORTO TAMPONAMENTO	LOWER SPACER SUPPORT		X	
543	0CBCGT	050040DY00	COPERCHIO LATERALE TAMPONAMENTO	SIDE PANEL		X	

SKYLINE 3.0 – KIT DI MANUTENZIONE – MAINTENANCE KIT

Pos	Spare Part Code KIT	Description KIT	Spare Part Code	Spare part q.ty	Spare part Description	Ref./Note	Time/Cycles (hours)	Every (months)																																																																																																																																																																																	
PPM1	0CK895	20 GRIDS GN 1/1; PPM KIT	0CK497	1	DOOR GASKET 20 1/1	b; c; d; f; g; h	3200	12																																																																																																																																																																																	
			0CK494	1	AIR FILTER				PPM2	0CK896	20 GRIDS GN 2/1; PPM KIT	0CK548	1	DOOR GASKET 20 2/1	j; k; l; n; o; p	3200	12	0CK494	1	AIR FILTER	PPM3	0CK763	SKL OV PM KIT 21	0CK494	1	AIR FILTER	b; c; d; f; g; h; j; k; l; n; o; p	3200 6400 12800	12 24 48	0CK523	1	BUSHING	0CK497	1	DOOR GASKET 20 1/1	PPM4	0CK770	SKL OV PM KIT 22	0CK494	1	AIR FILTER	b; c; d; f; g; h; j; k; l; n; o; p	3200 6400 12800	12 24 48	0CK523	1	BUSHING	0CK548	1	DOOR GASKET 20 2/1	PPM5	0CK781	SKL OV PM KIT 33	0CK494	1	AIR FILTER	b; c; d; f; g; h; j; k; l; n; o; p	9600	36	0CK523	1	BUSHING	0CK087	1	CYLINDER FOR TABS	0CK322	1	CUP TANK ASSEMBLY	PPM6	0CK782	SKL OV PM KIT 34	0CK494	1	AIR FILTER	b; c; d; f; g; h; j; k; l; n; o; p	9600	36	0CK523	1	BUSHING	0CK087	1	CYLINDER FOR TABS	0CK322	1	CUP TANK ASSEMBLY	PPM7	0CK783	SKL OV PM KIT 35	0CK494	1	AIR FILTER	b; c; d; f; g; h; j; k; l; n; o; p	16000	60	0CK523	1	BUSHING	0CK418	1	CLEANING PUMP 220-240V 50/60HZ	0CB250	1	BOILER DRAIN VALVE	PPM8	0CK784	SKL OV PM KIT 36	0CK494	1	AIR FILTER	b; c; d; f; g; h; j; k; l; n; o; p	16000	60	0CK523	1	BUSHING	0CK418	1	CLEANING PUMP 220-240V 50/60HZ	0CB250	1	BOILER DRAIN VALVE	PPM9	0CK787	SKL OV PM KIT 39	0CK494	1	AIR FILTER	b; c; d; f; g; h; j; k; l; n; o; p USA	16000	60	0CK523	1	BUSHING	0CK418	1	CLEANING PUMP 220-240V 50/60HZ	0CB251	1	BOILER DRAIN VALVE	PPM10	0CK788	SKL OV PM KIT 40	0CK494	1	AIR FILTER	b; c; d; f; g; h; j; k; l; n; o; p USA	16000	60	0CK523	1	BUSHING	0CK418	1	CLEANING PUMP 220-240V 50/60HZ	0CB251	1	BOILER DRAIN VALVE				0CK548	1	DOOR GASKET 20 2/1																					
PPM2	0CK896	20 GRIDS GN 2/1; PPM KIT	0CK548	1	DOOR GASKET 20 2/1	j; k; l; n; o; p	3200	12																																																																																																																																																																																	
			0CK494	1	AIR FILTER				PPM3	0CK763	SKL OV PM KIT 21	0CK494	1	AIR FILTER	b; c; d; f; g; h; j; k; l; n; o; p	3200 6400 12800	12 24 48	0CK523	1	BUSHING				0CK497	1	DOOR GASKET 20 1/1				PPM4	0CK770	SKL OV PM KIT 22	0CK494	1	AIR FILTER				b; c; d; f; g; h; j; k; l; n; o; p	3200 6400 12800	12 24 48				0CK523	1	BUSHING	0CK548	1	DOOR GASKET 20 2/1				PPM5	0CK781	SKL OV PM KIT 33				0CK494	1	AIR FILTER	b; c; d; f; g; h; j; k; l; n; o; p	9600	36	0CK523	1	BUSHING				0CK087	1	CYLINDER FOR TABS				0CK322	1	CUP TANK ASSEMBLY	PPM6	0CK782	SKL OV PM KIT 34	0CK494	1	AIR FILTER				b; c; d; f; g; h; j; k; l; n; o; p	9600	36				0CK523	1	BUSHING	0CK087	1	CYLINDER FOR TABS	0CK322	1	CUP TANK ASSEMBLY				PPM7	0CK783	SKL OV PM KIT 35				0CK494	1	AIR FILTER	b; c; d; f; g; h; j; k; l; n; o; p	16000	60	0CK523	1	BUSHING				0CK418	1	CLEANING PUMP 220-240V 50/60HZ				0CB250	1	BOILER DRAIN VALVE	PPM8	0CK784	SKL OV PM KIT 36	0CK494	1	AIR FILTER				b; c; d; f; g; h; j; k; l; n; o; p	16000	60				0CK523	1	BUSHING	0CK418	1	CLEANING PUMP 220-240V 50/60HZ	0CB250	1	BOILER DRAIN VALVE	PPM9	0CK787	SKL OV PM KIT 39	0CK494	1	AIR FILTER	b; c; d; f; g; h; j; k; l; n; o; p USA	16000	60	0CK523	1	BUSHING	0CK418	1	CLEANING PUMP 220-240V 50/60HZ	0CB251	1	BOILER DRAIN VALVE	PPM10	0CK788	SKL OV PM KIT 40	0CK494	1	AIR FILTER	b; c; d; f; g; h; j; k; l; n; o; p USA	16000	60
PPM3	0CK763	SKL OV PM KIT 21	0CK494	1	AIR FILTER	b; c; d; f; g; h; j; k; l; n; o; p	3200 6400 12800	12 24 48																																																																																																																																																																																	
			0CK523	1	BUSHING																																																																																																																																																																																				
			0CK497	1	DOOR GASKET 20 1/1																																																																																																																																																																																				
PPM4	0CK770	SKL OV PM KIT 22	0CK494	1	AIR FILTER	b; c; d; f; g; h; j; k; l; n; o; p	3200 6400 12800	12 24 48																																																																																																																																																																																	
			0CK523	1	BUSHING																																																																																																																																																																																				
			0CK548	1	DOOR GASKET 20 2/1																																																																																																																																																																																				
PPM5	0CK781	SKL OV PM KIT 33	0CK494	1	AIR FILTER	b; c; d; f; g; h; j; k; l; n; o; p	9600	36																																																																																																																																																																																	
			0CK523	1	BUSHING																																																																																																																																																																																				
			0CK087	1	CYLINDER FOR TABS																																																																																																																																																																																				
			0CK322	1	CUP TANK ASSEMBLY																																																																																																																																																																																				
PPM6	0CK782	SKL OV PM KIT 34	0CK494	1	AIR FILTER	b; c; d; f; g; h; j; k; l; n; o; p	9600	36																																																																																																																																																																																	
			0CK523	1	BUSHING																																																																																																																																																																																				
			0CK087	1	CYLINDER FOR TABS																																																																																																																																																																																				
			0CK322	1	CUP TANK ASSEMBLY																																																																																																																																																																																				
PPM7	0CK783	SKL OV PM KIT 35	0CK494	1	AIR FILTER	b; c; d; f; g; h; j; k; l; n; o; p	16000	60																																																																																																																																																																																	
			0CK523	1	BUSHING																																																																																																																																																																																				
			0CK418	1	CLEANING PUMP 220-240V 50/60HZ																																																																																																																																																																																				
			0CB250	1	BOILER DRAIN VALVE																																																																																																																																																																																				
PPM8	0CK784	SKL OV PM KIT 36	0CK494	1	AIR FILTER	b; c; d; f; g; h; j; k; l; n; o; p	16000	60																																																																																																																																																																																	
			0CK523	1	BUSHING																																																																																																																																																																																				
			0CK418	1	CLEANING PUMP 220-240V 50/60HZ																																																																																																																																																																																				
			0CB250	1	BOILER DRAIN VALVE																																																																																																																																																																																				
PPM9	0CK787	SKL OV PM KIT 39	0CK494	1	AIR FILTER	b; c; d; f; g; h; j; k; l; n; o; p USA	16000	60																																																																																																																																																																																	
			0CK523	1	BUSHING																																																																																																																																																																																				
			0CK418	1	CLEANING PUMP 220-240V 50/60HZ																																																																																																																																																																																				
			0CB251	1	BOILER DRAIN VALVE																																																																																																																																																																																				
PPM10	0CK788	SKL OV PM KIT 40	0CK494	1	AIR FILTER	b; c; d; f; g; h; j; k; l; n; o; p USA	16000	60																																																																																																																																																																																	
			0CK523	1	BUSHING																																																																																																																																																																																				
			0CK418	1	CLEANING PUMP 220-240V 50/60HZ																																																																																																																																																																																				
			0CB251	1	BOILER DRAIN VALVE																																																																																																																																																																																				
			0CK548	1	DOOR GASKET 20 2/1																																																																																																																																																																																				