



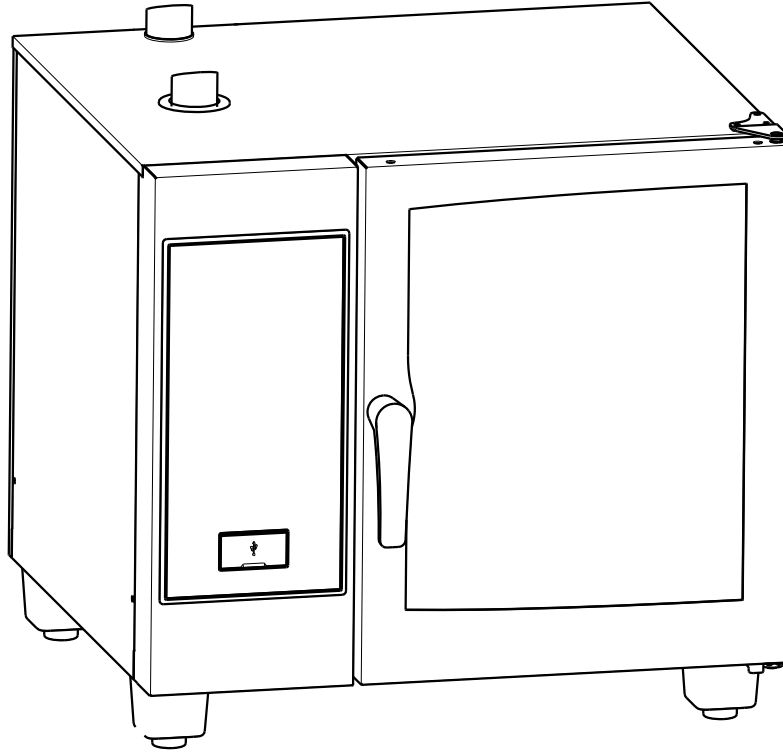
MOD : SDE/10S

Production code : 228906

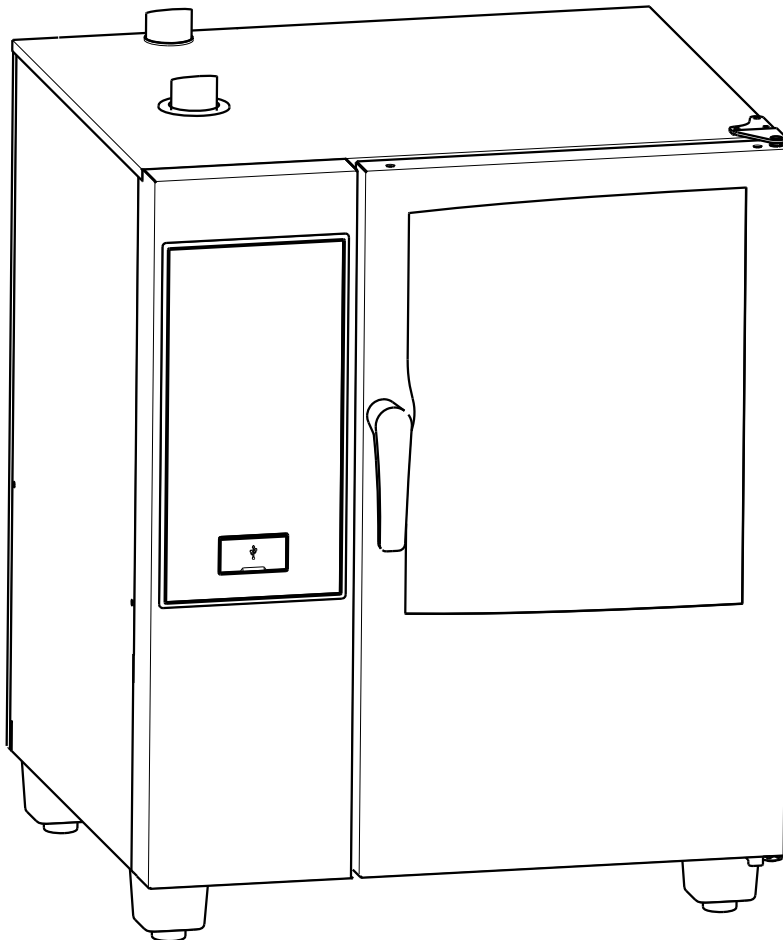
01/2026

ELECTRIC OVENS

Electrical Documentation



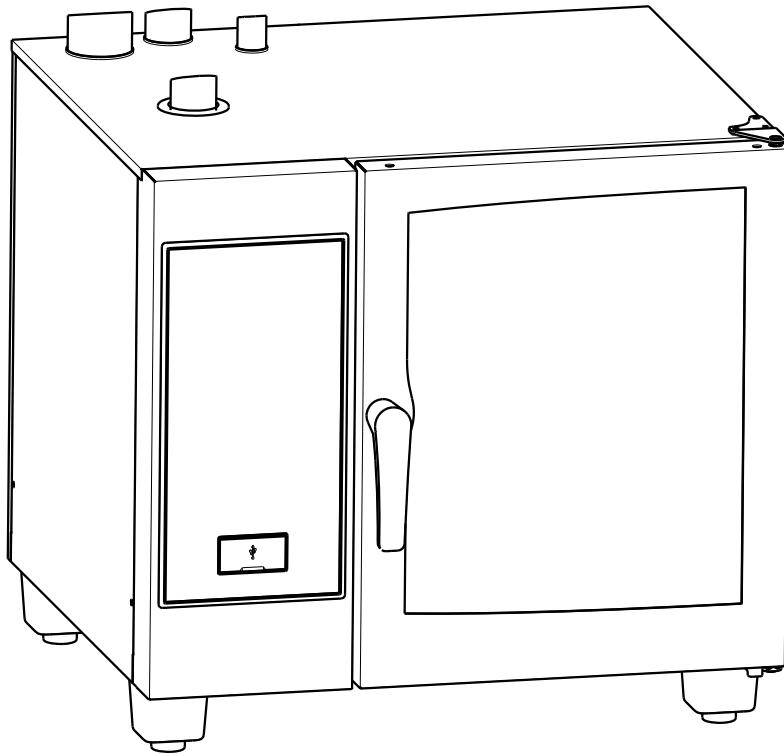
6 1/1
&
6 2/1



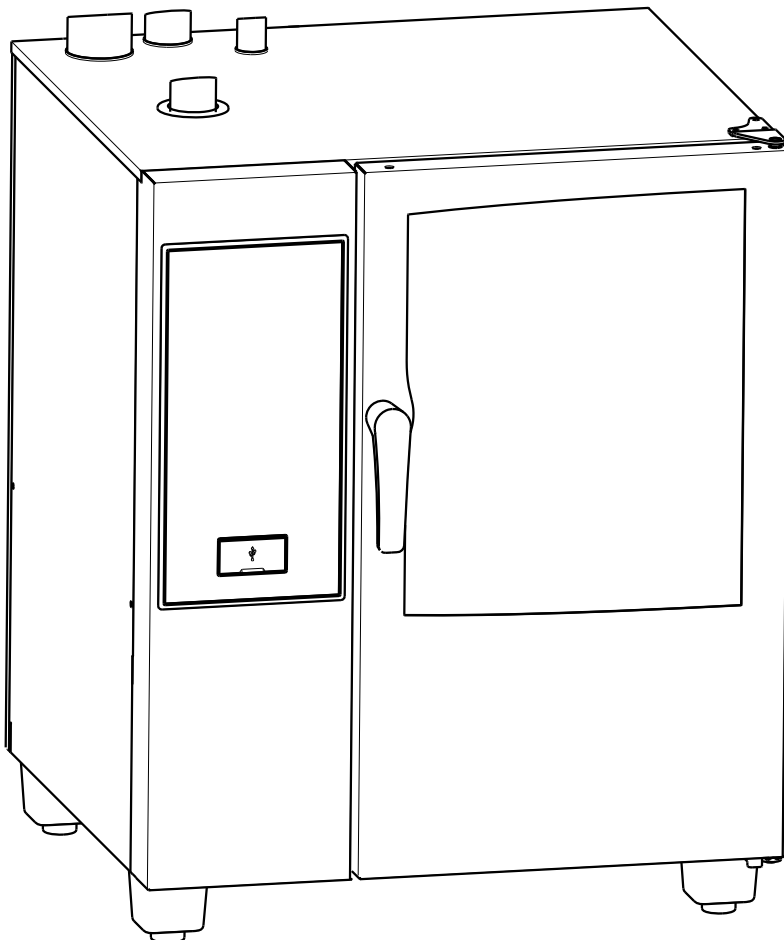
10 1/1
&
10 2/1

GAS OVENS

Electrical Documentation

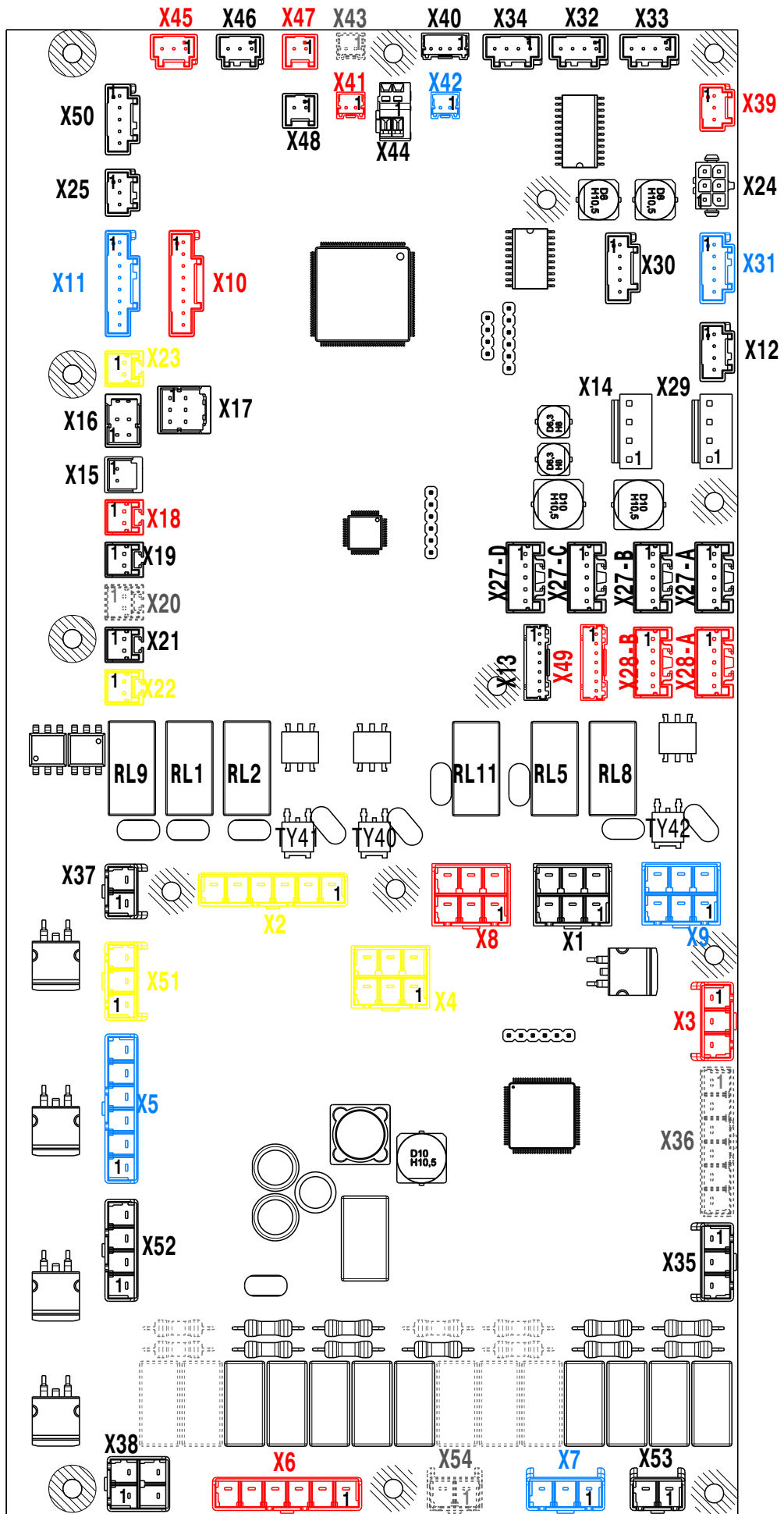


6 1/1
&
6 2/1



10 1/1
&
10 2/1

MAIN BOARD ACU



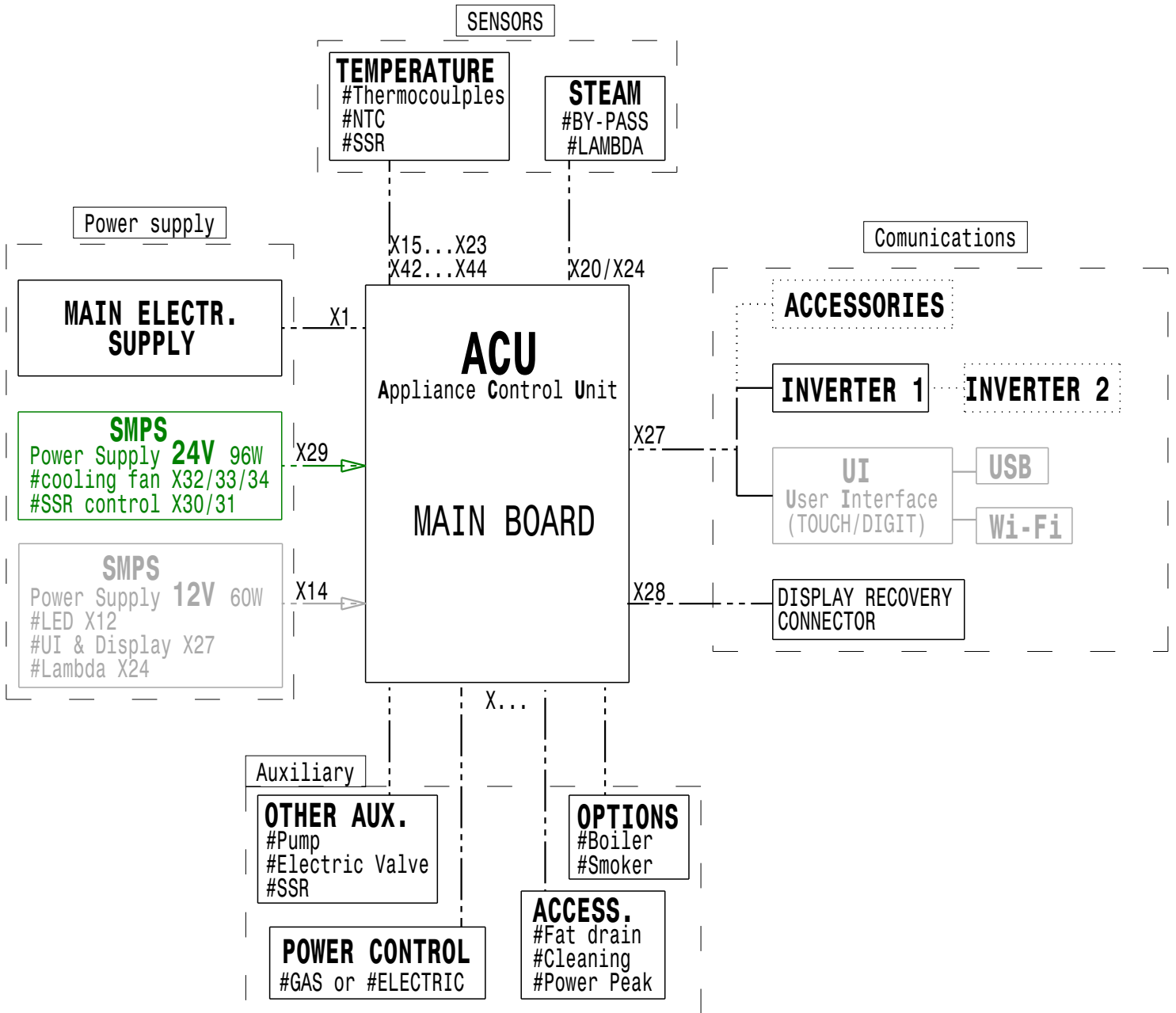
ACU LEGENDA

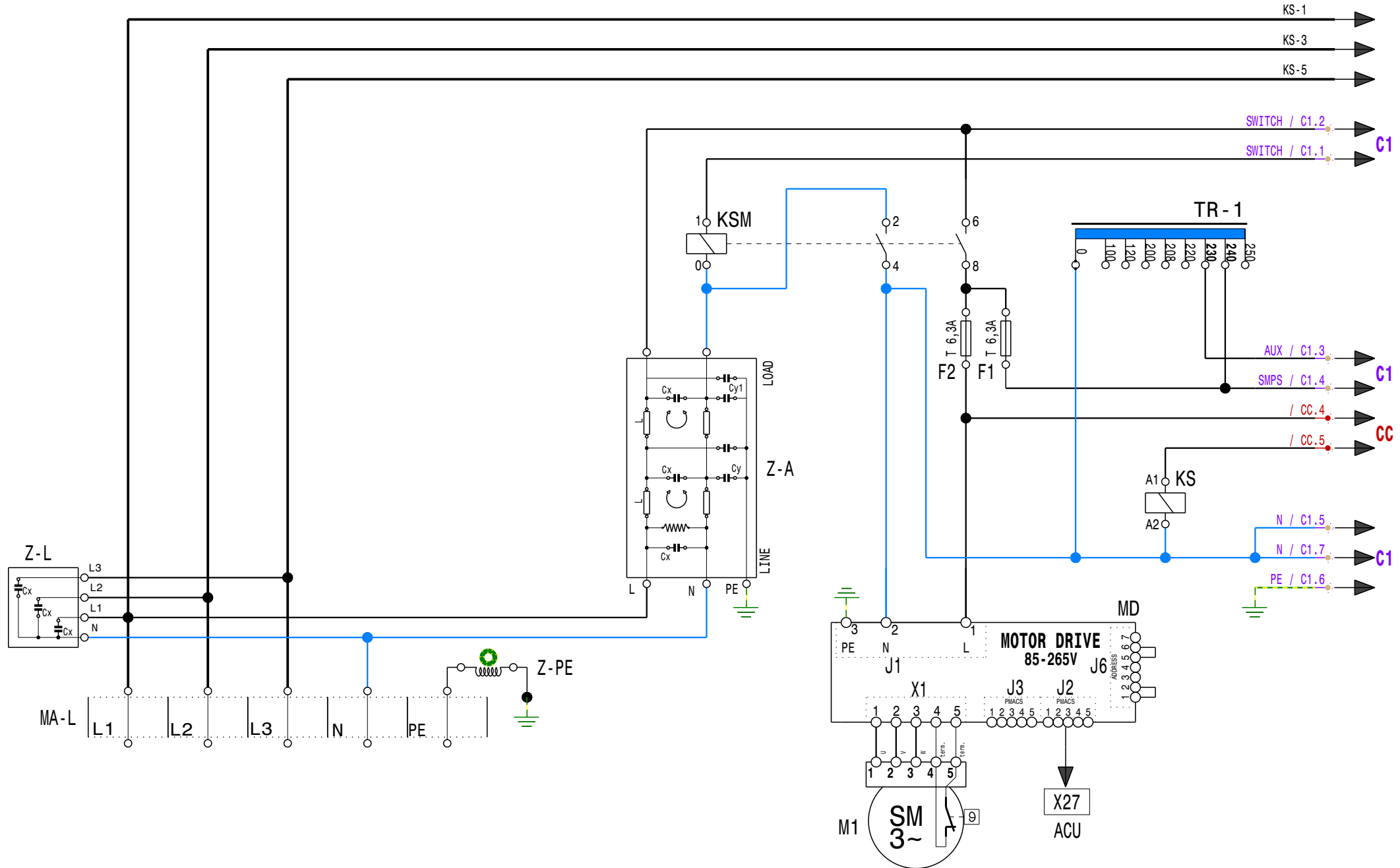
Ref.	Group	Pin	Direct.	Function
X1	Power Supply	1	IN	L Power Supply
		2	IN	N Power Supply
		3	IN	L Power Supply
		4	IN	N Power Supply
		5	IN	
		6	OUT	SW-OFF Auto switch off
X2	Water Service	1	OUT	EV1 Instant steam solenoid valve
		2	OUT	EV2 Quenching solenoid valve
		3	OUT	EV4 Spray unit solenoid valve
		4	OUT	BV3 Cavity drain ball valve OPEN
		5	OUT	BV3 Cavity drain ball valve CLOSE
		6	OUT	N
X3	Clean. Syst. Basic	1	OUT	EV7 Cleaning water fill solenoid valve
		2	OUT	M8 Cleaning pump
		3	OUT	N
X4	Cleaning System Drawer Rinse	1	OUT	EV11 Drawer fill solenoid valve
		2	OUT	EV12 Drawer drain solenoid valve
		3	OUT	
		4	OUT	
		5	OUT	
		6	OUT	N
X5	Boiler Fill & Clean	1	OUT	EV5 Boiler fill solenoid valve
		2	OUT	
		3	OUT	BV6 Boiler drain ball valve OPEN
		4	OUT	BV6 Boiler drain ball valve CLOSE
		5	OUT	
		6	OUT	N
X6	Sensing	1	IN	TSC Cavity safety thermostat
		2	IN	BBC1 Cavity gas blower burner
		3	IN	
		4	IN	HV14 Motor drive fuse
		5	IN	
		6	IN	
X7	Sensing	1	IN	TSB Boiler safety thermostat
		2	IN	BBB1 Boiler gas blower burner
		3	IN	
X8	Cavity GAS burner	1	OUT	N
		2	OUT	FCU Cavity flame control unit reset
		3	OUT	
		4	IN	FCU Cavity flame control unit power supply IN
		5	OUT	FCU Cavity flame control unit power supply OUT
		6	OUT	
X9	Boiler GAS burner	1	OUT	N
		2	OUT	FBU Boiler flame control unit reset
		3	OUT	
		4	IN	FBU Boiler flame control unit power supply IN
		5	OUT	FBU Boiler flame control unit power supply OUT
		6	OUT	
X10	Cavity GAS blower	1	OUT	VTCU Cavity blower control Power supply
		2	IN	VTCU Cavity blower control Tachometer
		3	IN	
		4	OUT	VTCU Cavity blower control Speed
		5	IN	
		6	IN	
		7	OUT	
		8	OUT	VTCU Boiler blower control GND
X11	Boiler GAS blower	1	OUT	VTBU Boiler blower control Power supply
		2	IN	VTBU Boiler blower control Tachometer
		3	IN	
		4	OUT	VTBU Boiler blower control Speed control
		5	IN	
		6	IN	
		7	OUT	
		8	OUT	VTBU Boiler blower control GND

Ref.	Group	Pin	Direct.	Function
X12	Led	1	OUT	H1 LED lighting 1 anode
		2	IN	H1 LED lighting 1 catode
		3	IN	H2 LED lighting 2 catode
		4	OUT	H2 LED lighting 2 anode
X13				Adress
X14	12V	1	IN	+12V dc
		2	IN	
		3	IN	0V dc
		4	IN	
X15	Food probe temperature	A1	IN	TFP 1 st point food probe temperature
		B1	IN	
X16	Food probe temperature	A1	IN	TFP 2 nd point food probe temperature
		B1	IN	
		A2	IN	TFP 3 rd point food probe temperature
		B2	IN	
X17	Food probe temperature	A1	IN	TFP 4 th point food probe temperature
		B1	IN	
		A2	IN	TFP 5 th point food probe temperature
		B2	IN	
		A3	IN	TFP 6 th point food probe temperature
		B3	IN	
X18	Temper.	1	IN	TCAV Cavity Thermocouple
X19	Temper.	1	IN	
		2	IN	TBO1 Boiler Thermocouple
X20	Temper.			-- NOT USE --
X21	Temper.			-- NOT USE --
X22	Temper.	1	IN	
		2	IN	TQS Quenching System Thermocouple
X23	Temper.	1	IN	
		2	IN	TAR Aromatizer Thermocouple
X24	Lambda			Lambda sensor
X25	Boiler level	1	IN/OUT	SL Boiler safety level dection probe
		2	IN/OUT	WL Boiler working level dection probe
		3	IN	REF Boiler level detection probes reference
X27-A			IN/OUT	PMACS communication BUS
X27-B			IN/OUT	PMACS communication BUS
X27-C			IN/OUT	PMACS communication BUS
X27-D			IN/OUT	PMACS communication BUS
X28-A			IN/OUT	PMACS Recovery communication BUS
X28-B			IN/OUT	PMACS Recovery communication BUS
X29	24V	1	IN	+24V dc
		2	IN	
		3	IN	
		4	IN	0V dc
X30	Cavity SSR	1	OUT	KC1 Cavity 1 solid state relay
		2	OUT	KC2 Cavity 2 solid state relay
		3	OUT	
		4	OUT	
		5	OUT	0V dc
X31	Boiler SSR	1	OUT	KB1 Boiler 1 solid state relay
		2	OUT	KB2 Boiler 2 solid state relay
		3	OUT	
		4	OUT	
		5	OUT	0V dc

Ref.	Group	Pin	Direct.	Function
X32	Cooling Fan 1	1	OUT	FAN1 Cooling fan 1 power supply 24Vdc
		2	IN	FAN1 Cooling fan 1 tachometer sensor
		3	OUT	FAN1 Cooling fan 1 speed control
		4	OUT	FAN1 Cooling fan 1 power supply 0Vdc
X33	Cooling Fan 2			-- NOT USE --
X34	Cooling Fan 3			-- NOT USE --
X35	Vent. Valve	1	OUT	VV1 Venting valve 1 cw rotation
		2	OUT	N
		3	OUT	VV1 Venting valve 1 ccw rotation
X36				-- NOT USE --
X37	KS	1	OUT	KS Safety contactor
		2	OUT	
X38	Smoker	1	OUT	N
		2	OUT	R1 (Smoker heating element)
		3	OUT	
		4	IN	
X39	Flow meter	1	OUT	+24V dc
		2	OUT	FM Flow meter reference
		3	IN	FM Flow meter feedback
X40	Temper.	1	OUT	NCC NTC cabinet components
		2	IN	
		3	OUT	NM8 NTC pump M8
		4	IN	
X41	Temper.	1	OUT	NHSC NTC Cavity SSR heatsink
		2	IN	
X42	Temper.	1	OUT	NHSB NTC Boiler SSR heatsink
		2	IN	
X43	Temper.			-- NOT USE --
X44	Softner	1	OUT	SSW1 Softner interface
		2	IN	
X45	Switch	1	OUT	24V Reference
		2	IN	DS Door switch
		3	IN	AFS Air filter switch
X46	switch	1	OUT	24V Reference
		2	IN	SVV1 Venting valve CLOSE switch
X47		3	IN	SVV1 Venting valve OPEN switch
		1	OUT	24V Reference
X48	Switch	2	IN	SF Fat drain valve status switch
		1	OUT	24V Reference
X49		2	IN	DRS Cleaning drawer switch
				Recovery Adress
X50		1	OUT	24V Reference
		2	IN	HER Hood error
		3	IN	
		4	IN	
		5	IN	
X51	Liquid Clean. Syst.	1	OUT	P1 Liquid dergent pump
		2	OUT	P2 Liquid rinse pump
		3	OUT	N
X52		1	OUT	HS2 Hood speed 2
		2	OUT	HS1 Hood speed 1
		3	OUT	HON Hood ON
		4	OUT	N Neutral
X53		1	IN	PPM1 Peak power managment 1 / Usa Hood
		2	IN	PPM2 Peak power managment 2
X54				-- NOT USE --

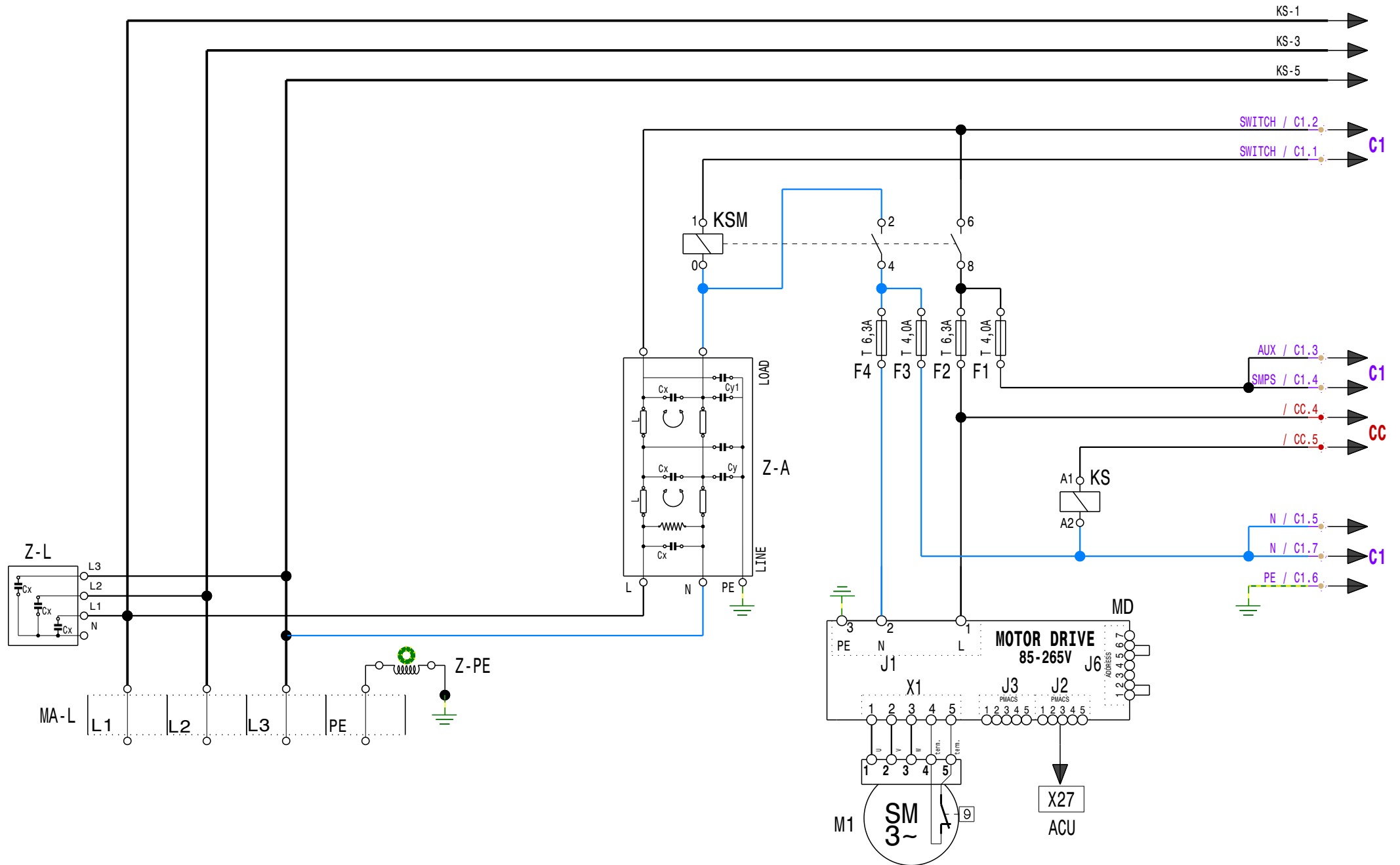
LOGIC DIAGRAM



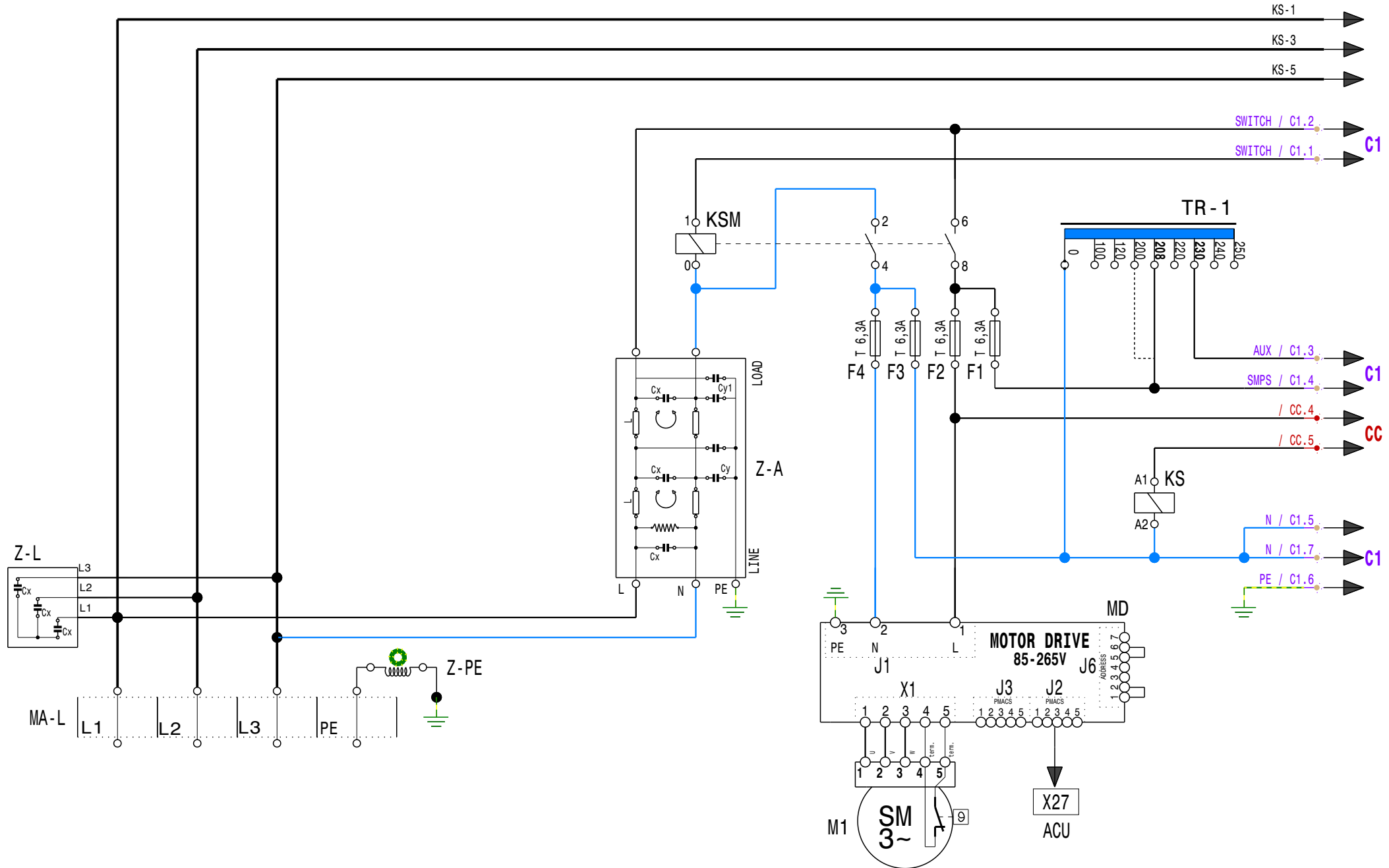


MA-L	TERMINAL BLOCK	Z-A	AUXILIARY FILTER	MD	MOTOR DRIVE	F1	AUXILIARY FUSE	TR-1	TRANSFORMER	-	-
Z-L	CAPACITIVE FILTER	KSM	ON/OFF RELAY	M1	MOTOR	F2	MOTOR DRIVE FUSE	-	-	-	-
Z-PE	GROUND FILTER	KS	SAFETY CONTACTOR	-	-	-	-	-	-	COD 602402F06 ELECTRIC DIAGRAM 6/10 "ELT" 380-480V CKM	

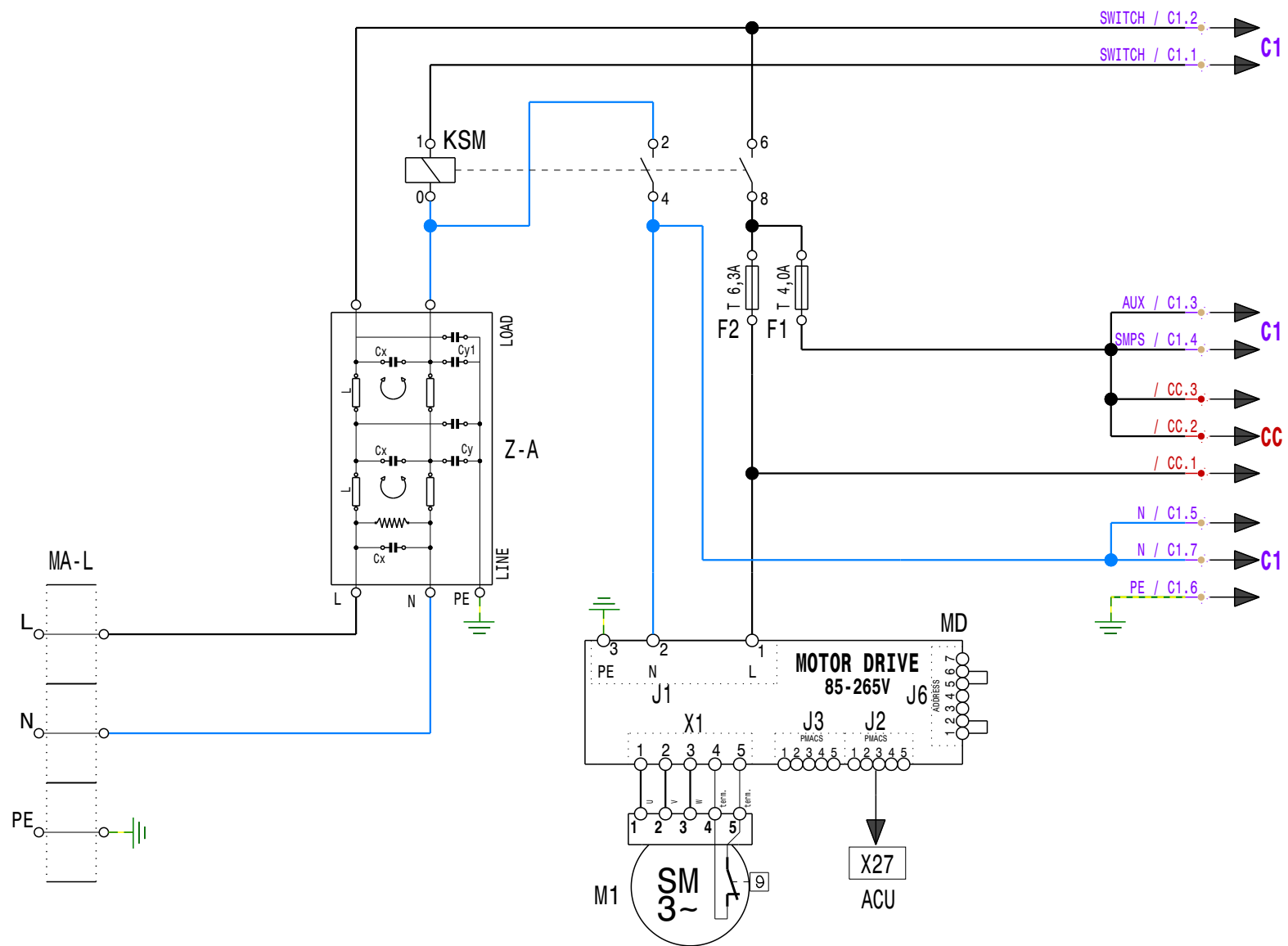
From S/N :



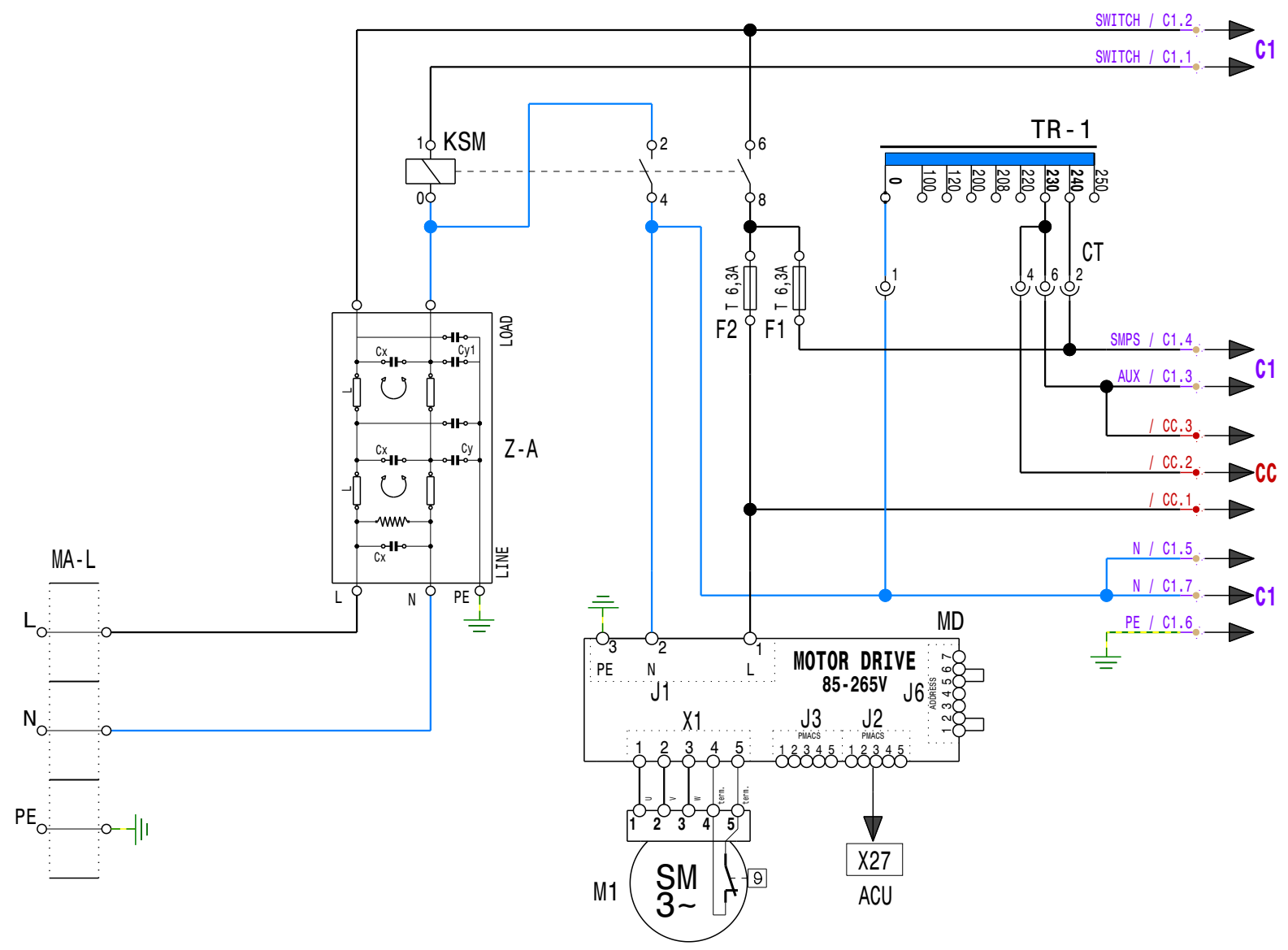
MA-L	TERMINAL BLOCK	Z-A	AUXILIARY FILTER	MD	MOTOR DRIVE	F1-F3	AUXILIARY FUSE	-	-	-	-
Z-L	CAPACITIVE FILTER	KSM	ON/OFF RELAY	M1	MOTOR	F2-F4	MOTOR DRIVE FUSE	-	-	-	-
Z-PE	GROUND FILTER	KS	SAFETY CONTACTOR	-	-	COD 602402F06 ELECTRIC DIAGRAM 6/10 "ELT" 380-480V CKM				From S/N :	



MA-L	TERMINAL BLOCK	Z-A	AUXILIARY FILTER	MD	MOTOR DRIVE	F1-F3	AUXILIARY FUSE	-	-	-	-
-	-	KSM	ON/OFF RELAY	M1	MOTOR	F2-F4	MOTOR DRIVE FUSE	-	-	-	-
-	-	KS	SAFETY CONTACTOR	-	-	COD 602402F06 ELECTRIC DIAGRAM 6/10 "ELT" 380-480V CKM				From S/N :	

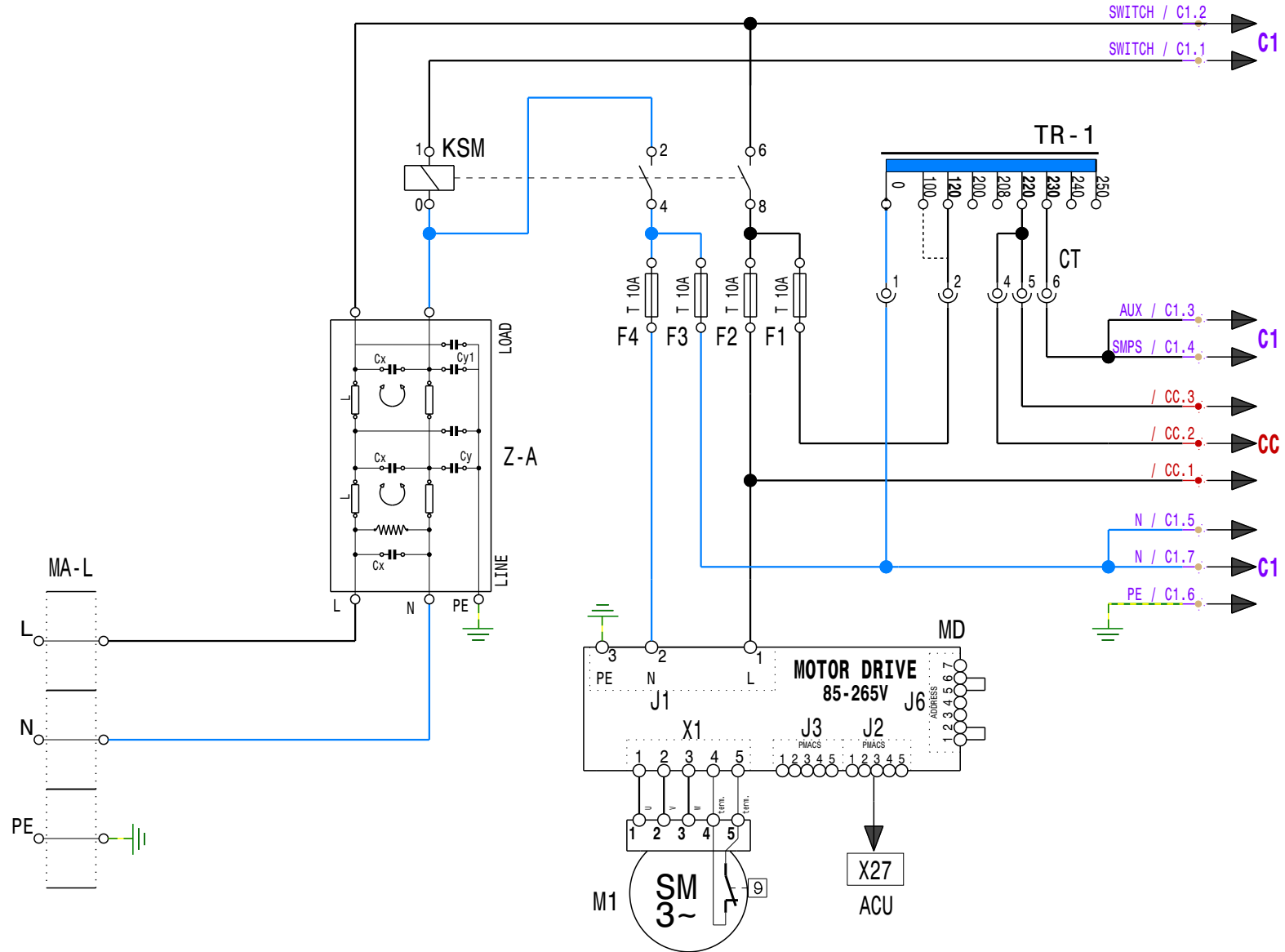


MA-L	TERMINAL BLOCK	Z-A	AUXILIARY FILTER	MD	MOTOR DRIVE	F1	AUXILIARY FUSE	-	-	-	-
-	-	KSM	ON/OFF RELAY	M1	MOTOR	F2	MOTOR DRIVE FUSE	-	-	-	-
-	-	-	-	-	-	-	-	COD 602402F06 ELECTRIC DIAGRAM 6/10 "ELT" 380-480V CKM			From S/N :

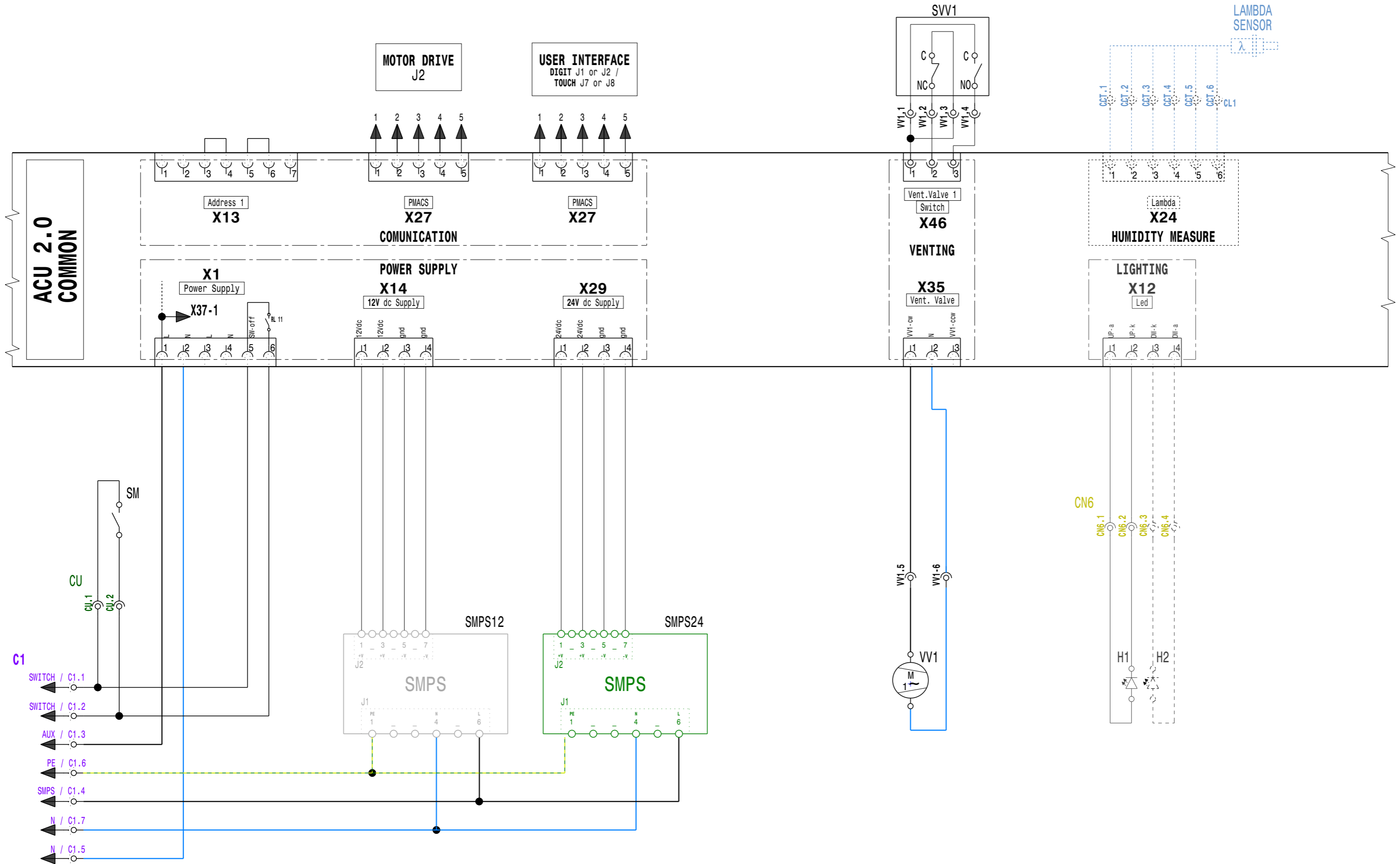


MA-L	TERMINAL BLOCK	Z-A	AUXILIARY FILTER	MD	MOTOR DRIVE	F1	AUXILIARY FUSE	TR-1	TRANSFORMER	-	-
-	-	KSM	ON/OFF RELAY	M1	MOTOR	F2	MOTOR DRIVE FUSE	-	-	-	-
-	-	-	-	-	-	-	-	COD 602402F06 ELECTRIC DIAGRAM 6/10 "ELT" 380-480V CKM		From S/N :	

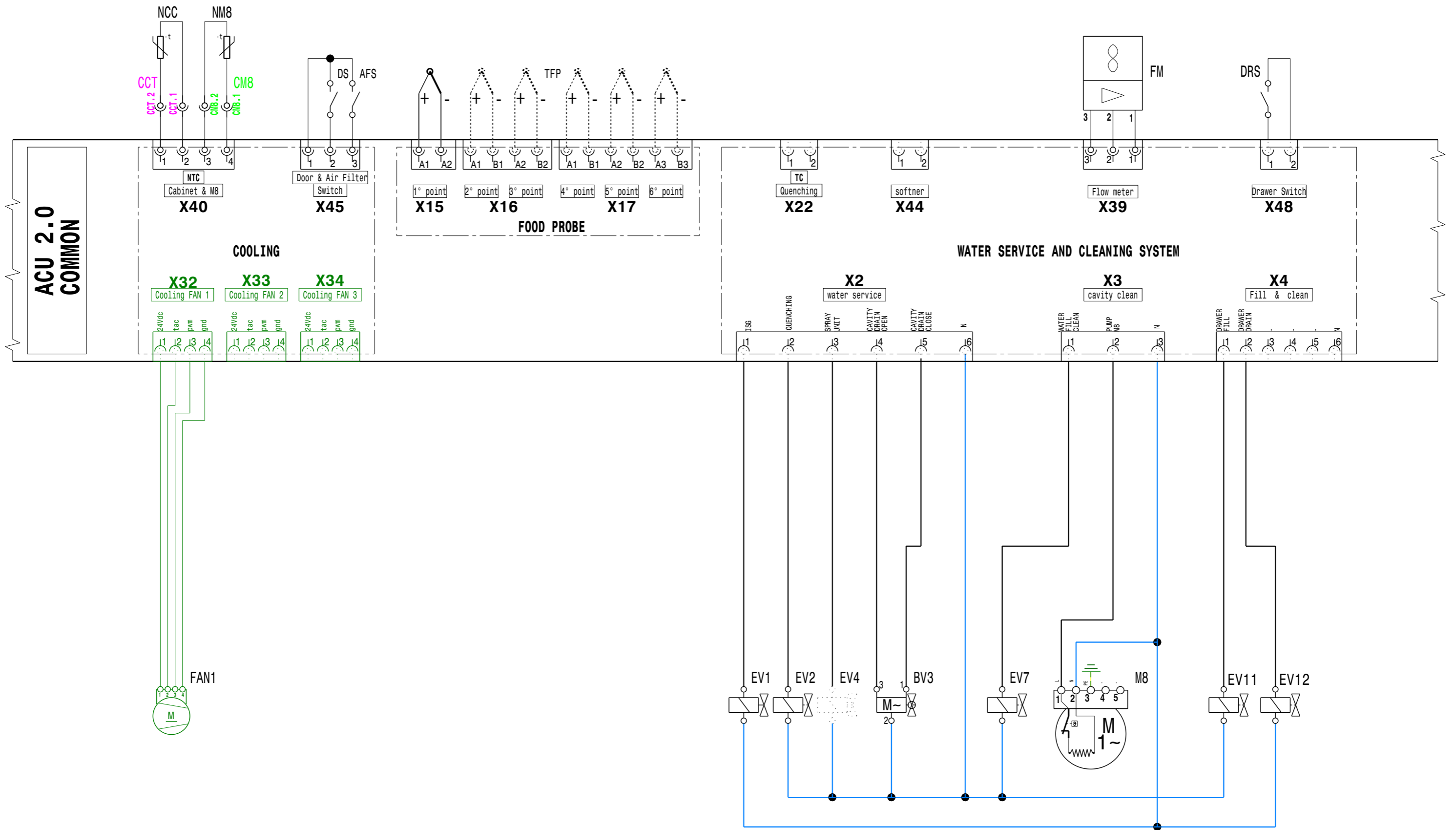
ELECTRICAL SUPPLY 100/120V - 1 - 50/60Hz JAP/USA "GAS"



MA-L	TERMINAL BLOCK	Z-A	AUXILIARY FILTER	MD	MOTOR DRIVE	F1-F3	AUXILIARY FUSE	TR-1	TRANSFORMER	-	-
-	-	KSM	ON/OFF RELAY	M1	MOTOR	F2-F4	MOTOR DRIVE FUSE	-	-	-	-
-	-	-	-	-	-	COD 602402F06 ELECTRIC DIAGRAM 6/10 "ELT" 380-480V CKM				From S/N :	

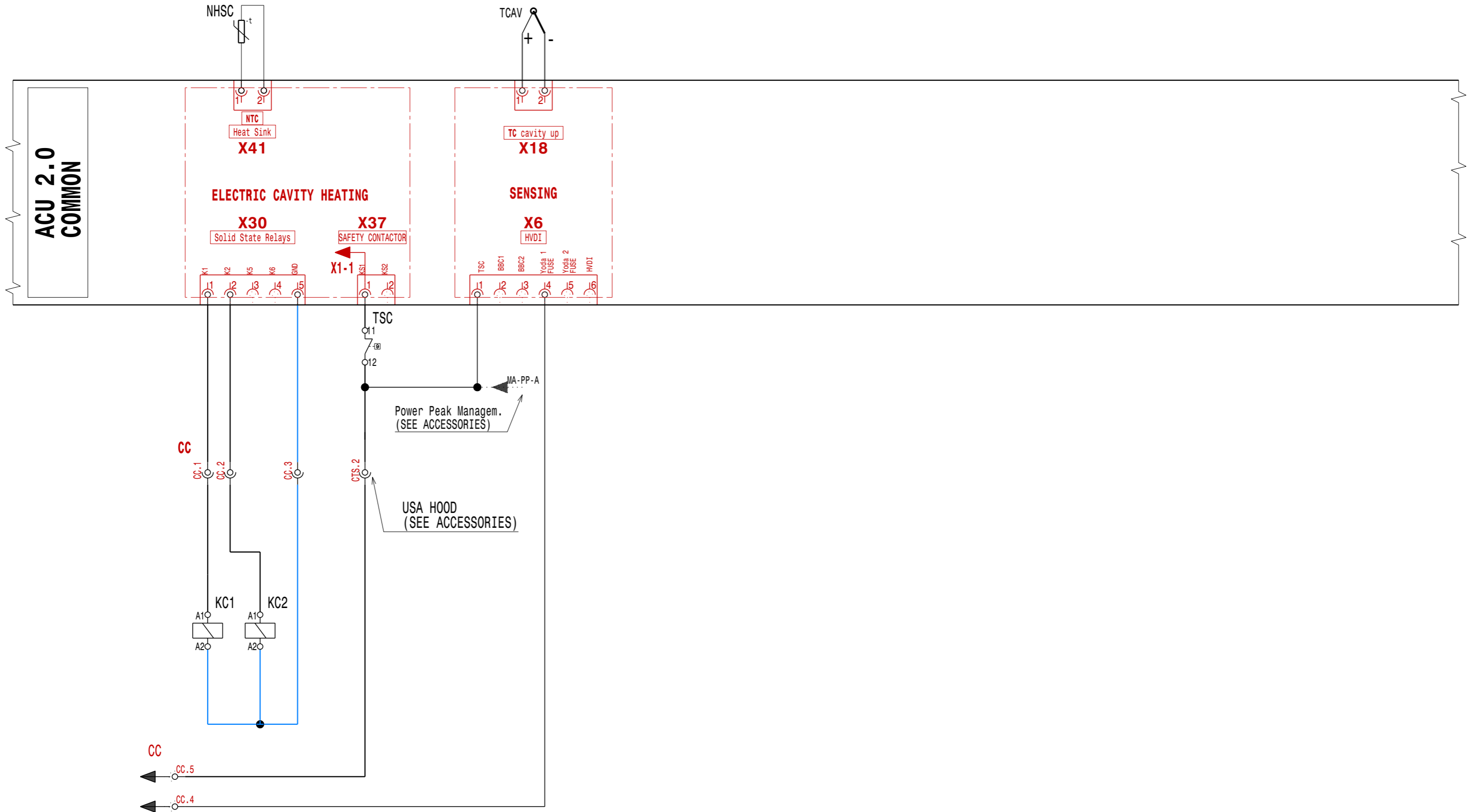


SM	MAIN SWITCH	-	-	SMPS12	SMPS 12V	VV1	VENTING VALVE 1	H1	LED LIGHTING 1	-	-
-	-	-	-	SMPS24	SMPS 24V	SVV1	VENTING VALVE SWITCHES	H2	LED LIGHTING 2	-	-
-	-	-	-	-	-	-	-	-	-	COD 602402F06 ELECTRIC DIAGRAM 6/10 "ELT" 380-480V CKM	
										From S/N :	



FAN1	COOLING FAN	DS	DOOR SWITCH	TFP	FOOD PROBE TEMPERATURE	FM	FLOW METER	DRS	DRAWER SWITCH
NCC	NTC CABINET COMPONENTS	AFS	AIR FILTER SWITCH	EV1	INSTANT STEAM SOLENOID VALVE	EV7	CLEANING WATER FILL S. VALVE	EV11	DRAWER FILL S. VALVE
NM8	NTC PUMP M8	-	-	EV2	QUENCHING SOL.VALVE	M8	CLEANING PUMP	EV12	DRAWER DRAIN S. VALVE
-	-	-	-	BV3	CAVITY DRAIN BALL VALVE	COD 602402F06 ELECTRIC DIAGRAM 6/10 "ELT" 380-480V CKM		From S/N :	

ELECTRIC CONVECTION



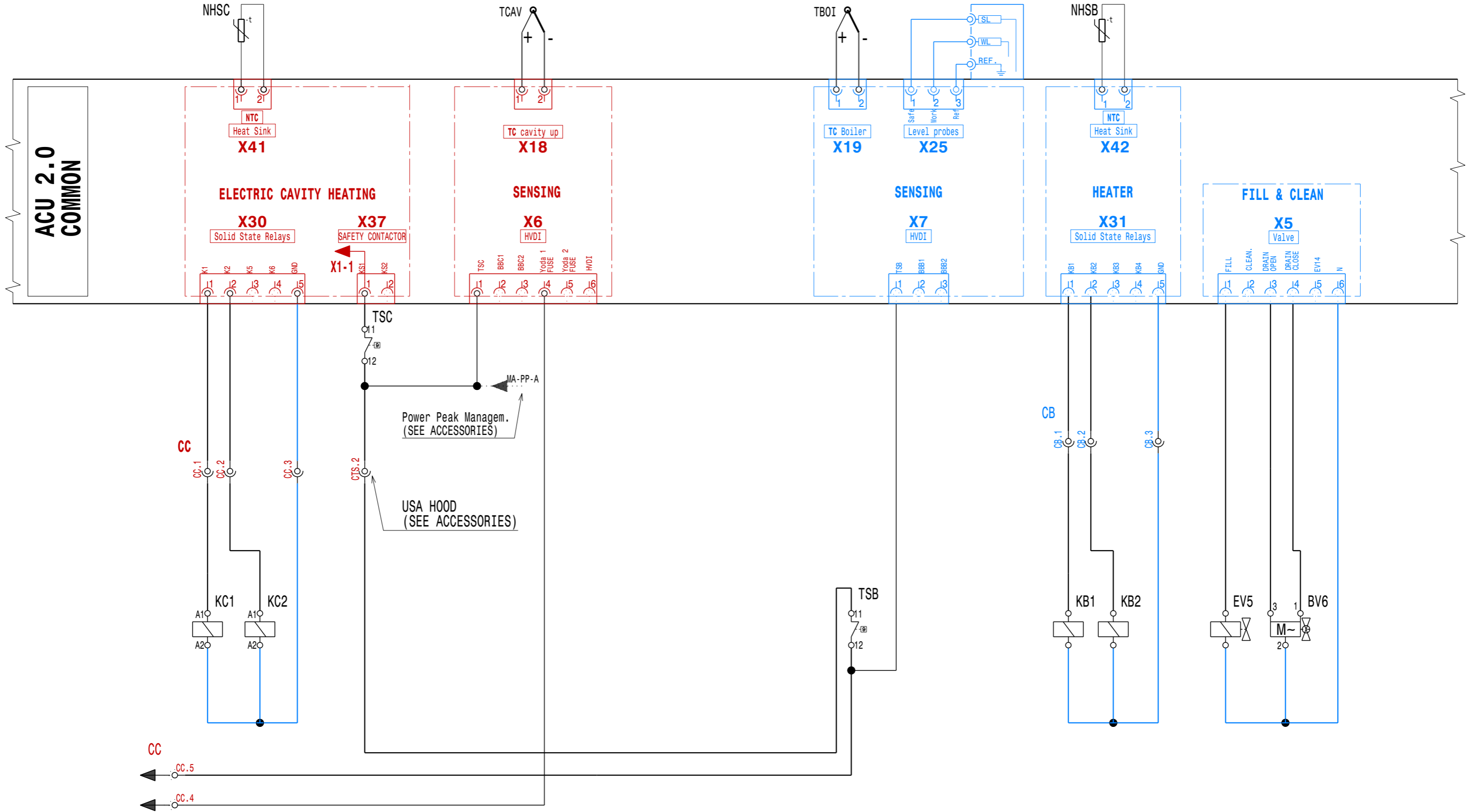
-	-	KC1	CAVITY SOLID STATE RELAY 1	NHSC	NTC CAVITY SSR HEAT SINK	-	-	-	-
-	-	KC2	CAVITY SOLID STATE RELAY 2	TCAV	CAVITY THERMOCOUPLE	-	-	-	-
-	-	TSC	CAVITY SAFETY THERMOSTAT	-	-	-	-	-	-
						COD 602402F06 ELECTRIC DIAGRAM 6/10 "ELT" 380-480V CKM			From S/N :

BOILER

"ELECTRIC"

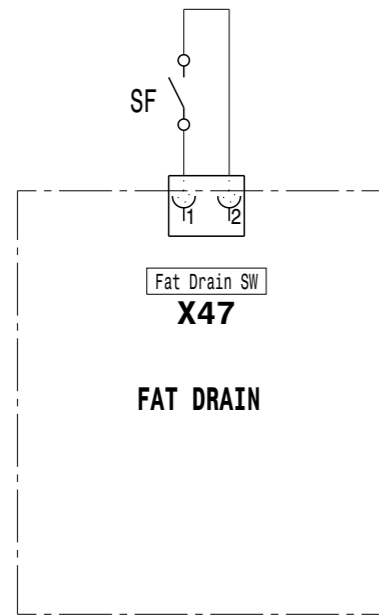
ELECTRIC CONVECTION

ELECTRIC BOILER

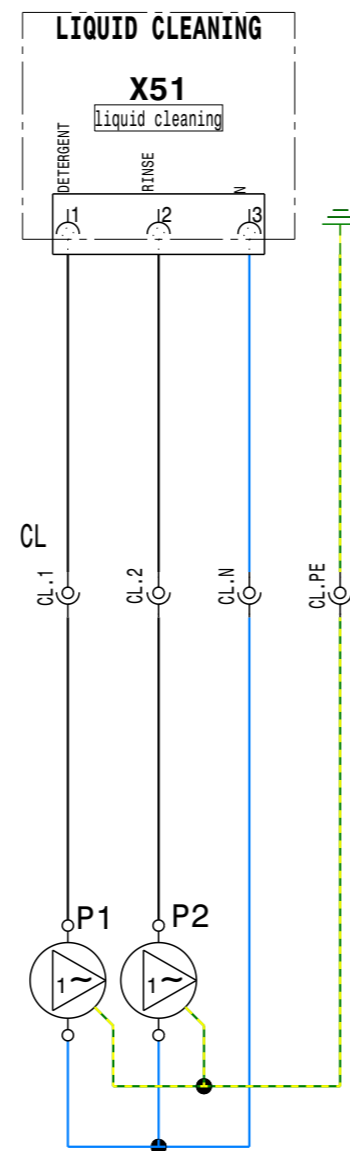


KC1	CAVITY SOLID STATE RELAY 1	NHSC	NTC CAVITY SSR HEAT SINK	EV5	BOILER FILL SOLENOID VALVE	KB1	BOILER SOLID STATE RELAY 1	NHBS	NTC BOILER SSR HEAT SINK
KC2	CAVITY SOLID STATE RELAY 2	TCAV	CAVITY THERMOCOUPLE	BV6	BOILER DRAIN BALL VALVE	KB2	BOILER SOLID STATE RELAY 2	TBOI	BOILER THERMOCOUPLE
TSC	CAVITY SAFETY THERMOSTAT							TSB	BOILER SAFETY THERMOSTAT

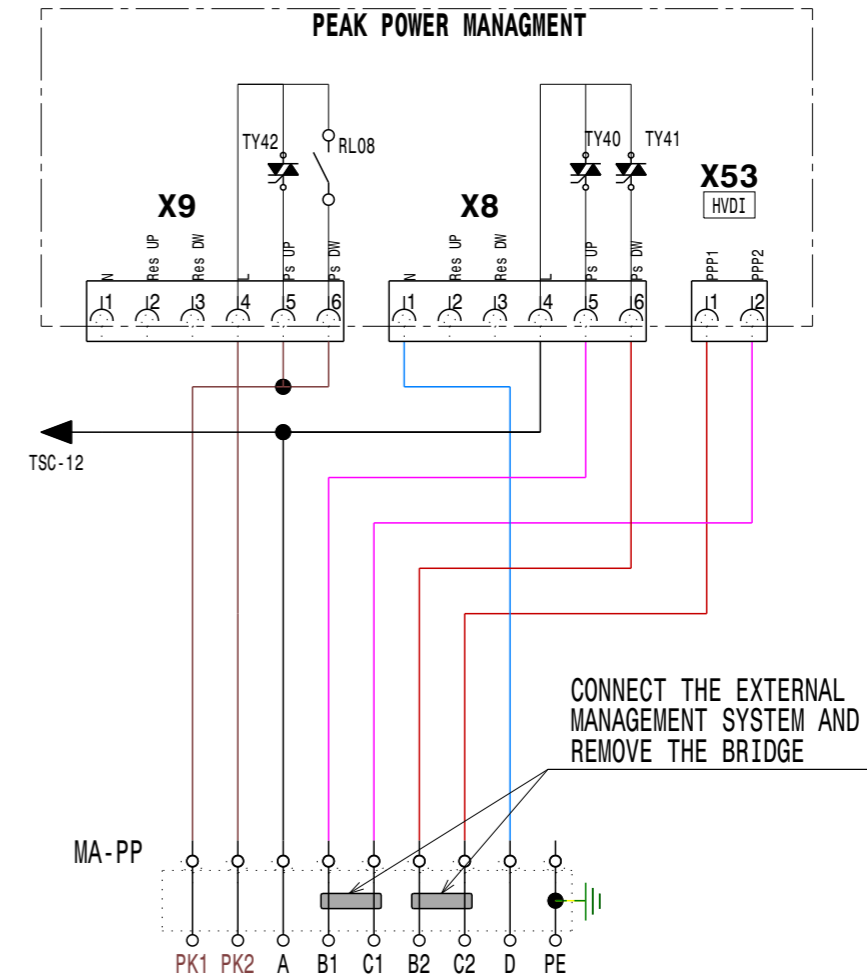
FAT DRAIN SYSTEM



LIQUID CLEANING



PEAK POWER MANAGEMENT

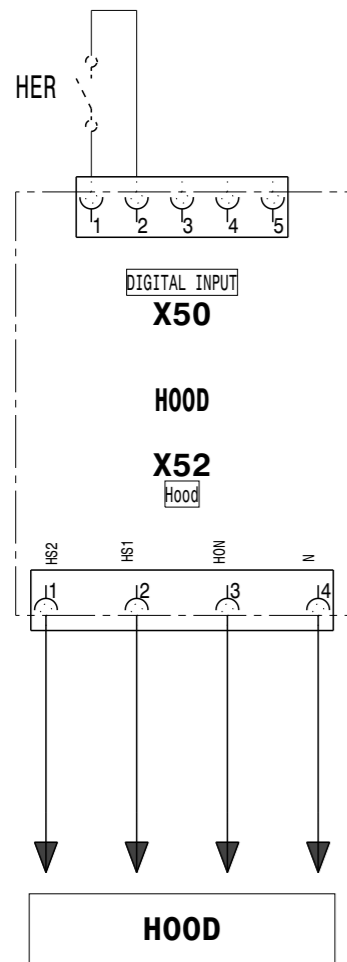


LEGENDA

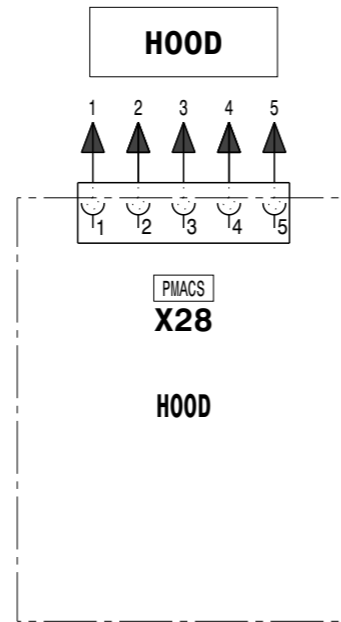
- PK: PICK POWER CONTROL (POTENTIAL FREE CONTACT)
- A : POWER ON (KS CLOSED)
- B1: THERMOSTAT ON (HALF AND FULL POWER)
- B2: THERMOSTAT ON (FULL POWER)
- C1: RELEASE HEATING CONTACTOR (FIRST HALF POWER)
- C2: RELEASE HEATING CONTACTOR (SECOND HALF POWER)
- D : REFERENCE POTENTIAL (NEUTRAL)
- PE: GROUND

SF	FAT DRAIN SWITCH	-	-	P1	RINSE PUMP	-	-	MA-PP	TERMINAL BLOCK PEAK POWER MANAGEMENT
-	-	-	-	P2	DETERGENT PUMP	-	-	TSC	CAVITY SAFETY THERMOSTAT
-	-	-	-	-	-	-	-	COD 602402F06	ELECTRIC DIAGRAM 6/10 "ELT" 380-480V CKM
									From S/N :

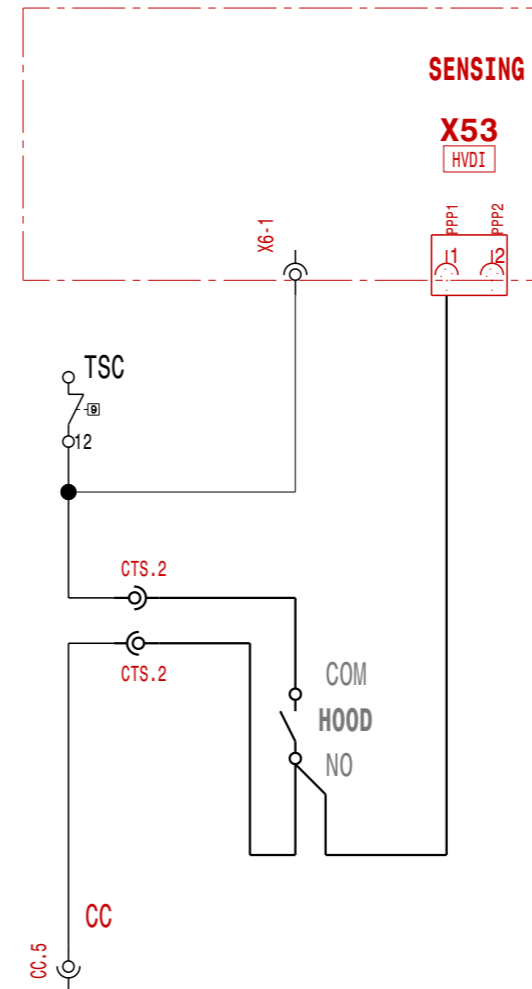
EXTRACTION HOOD CONDENSATION HOOD



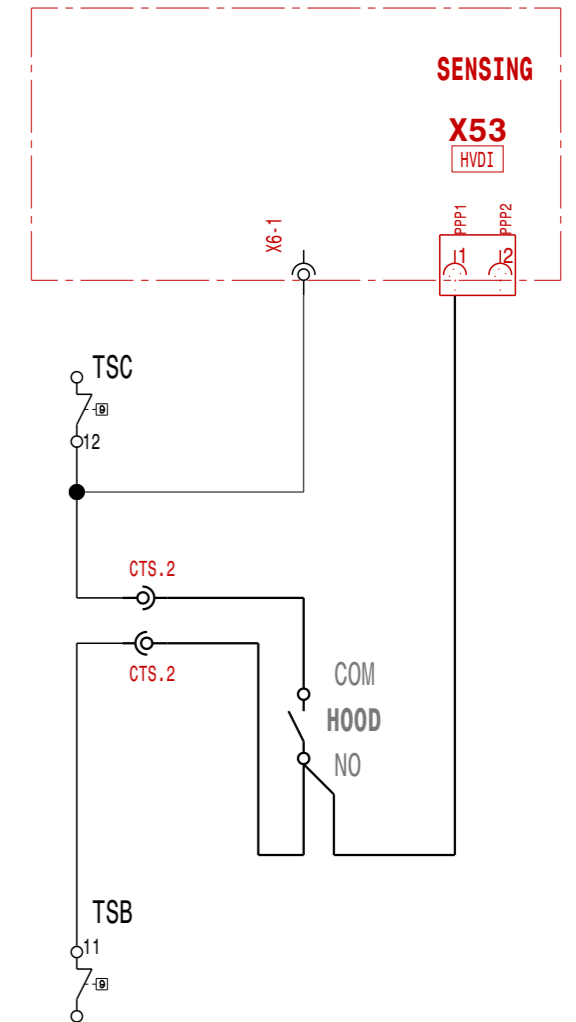
ODOURLESS HOOD



USA HOOD - ISG



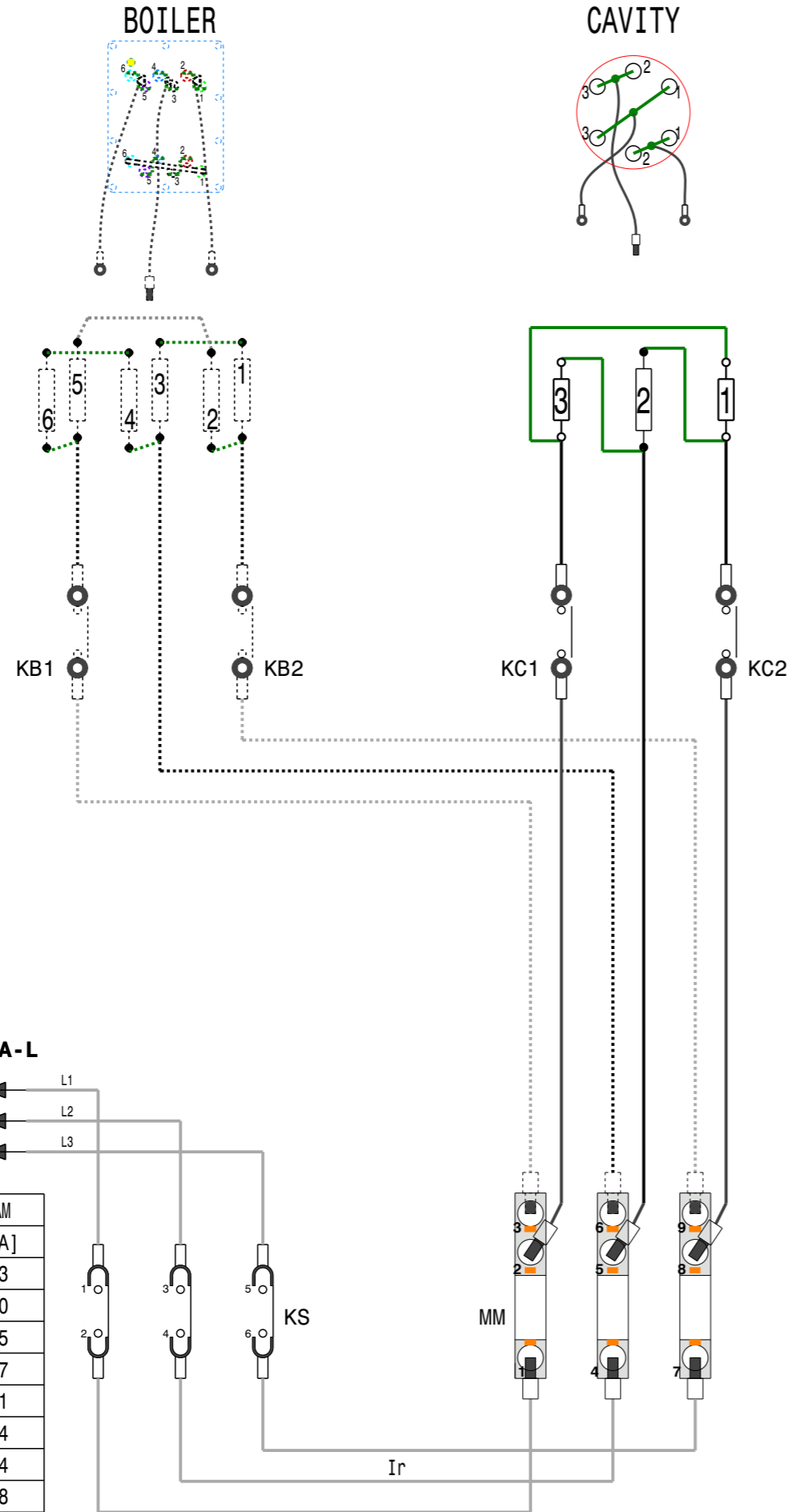
USA HOOD - BOILER



-	-	-	-	HOOD	USA HOOD SWITCH	HOOD	USA HOOD SWITCH
-	-	-	-	-	-	-	-
-	-	-	-	-	-	-	-
						COD 602402F06 ELECTRIC DIAGRAM 6/10 "ELT" 380-480V CKM	
						From S/N :	

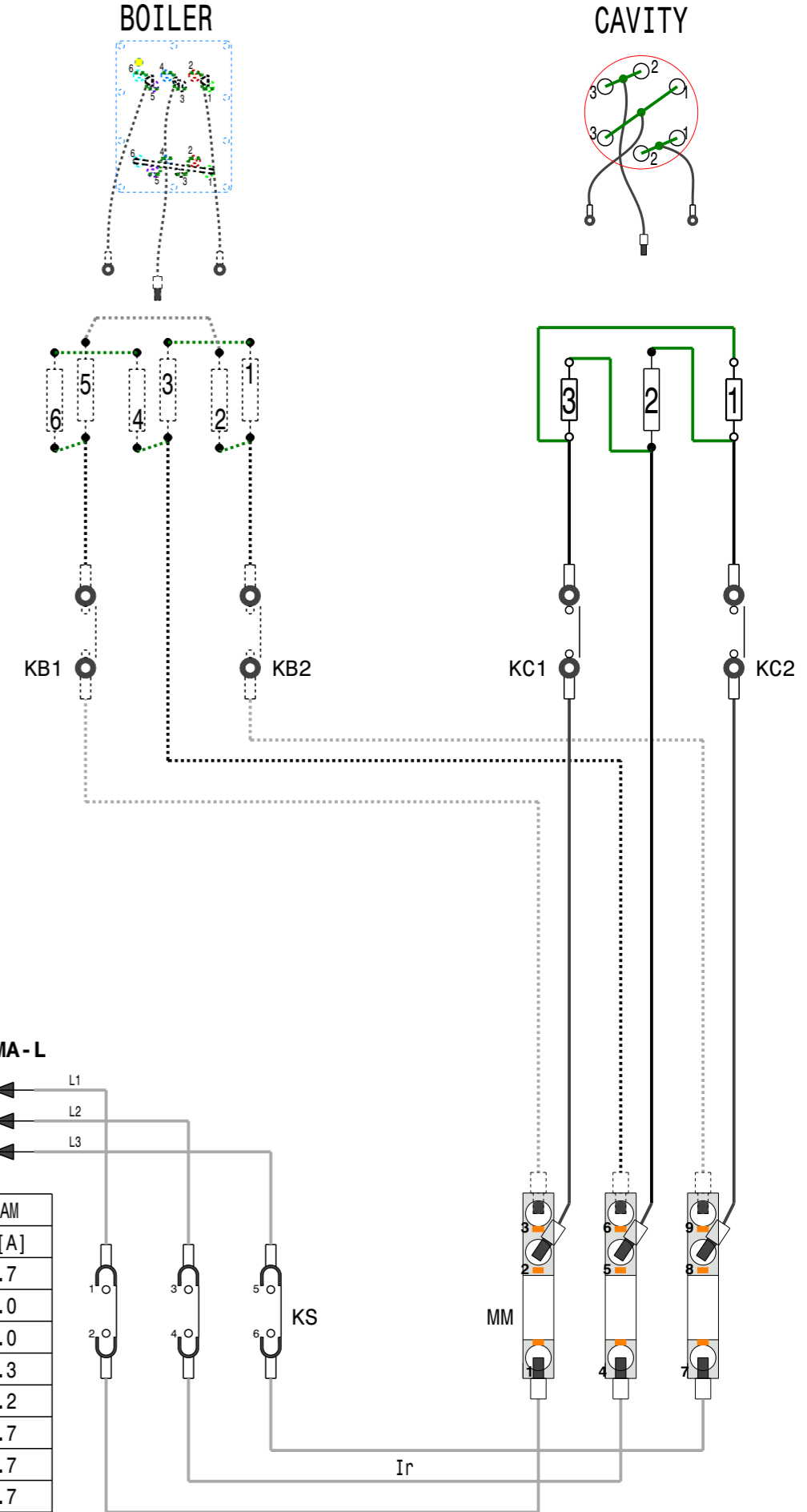
ELECTRICAL POWER WIRING

"ELECTRIC"



6 1/1
380-480V

Rated Voltage [V]	Supply Voltage [V]	CONVECTION		STEAM	
		Ir [A]	Ir [A]	Ir [A]	Ir [A]
380-415	380	13.7	12.3		
	400	14.4	13.0		
	415	15.0	13.5		
415-440	415	13.0	11.7		
	430	13.4	12.1		
	440	13.7	12.4		
460-480	460	11.5	10.4		
	480	12.0	10.8		

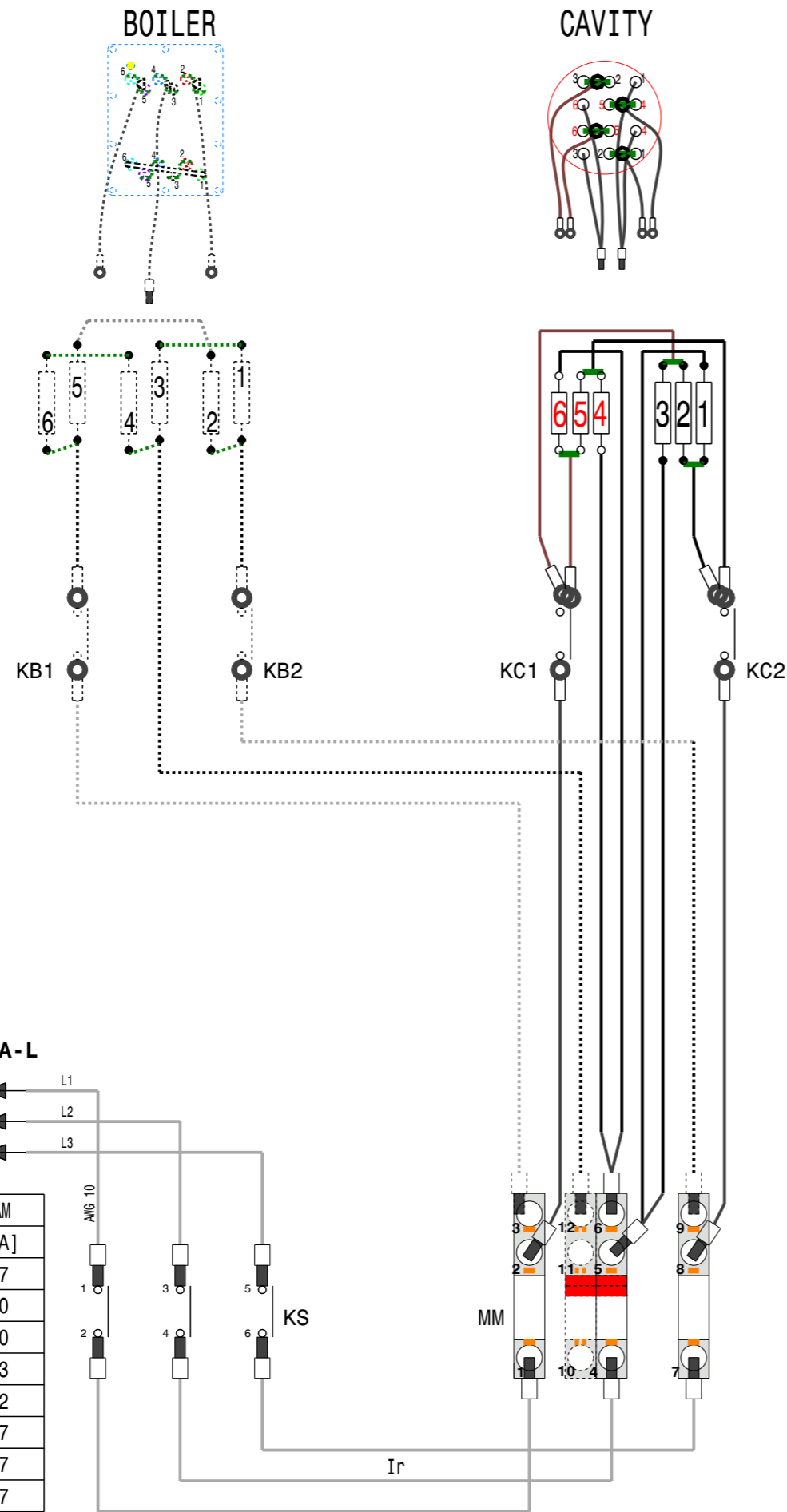


10 1/1
380-480V

Rated Voltage [V]	Supply Voltage [V]	CONVECTION		STEAM	
		Ir [A]	Ir [A]	Ir [A]	Ir [A]
380-415	380	24.7	24.7		
	400	26.0	26.0		
	415	27.0	27.0		
415-440	415	23.3	23.3		
	430	24.2	24.2		
	440	24.7	24.7		
460-480	460	20.7	20.7		
	480	21.7	21.7		

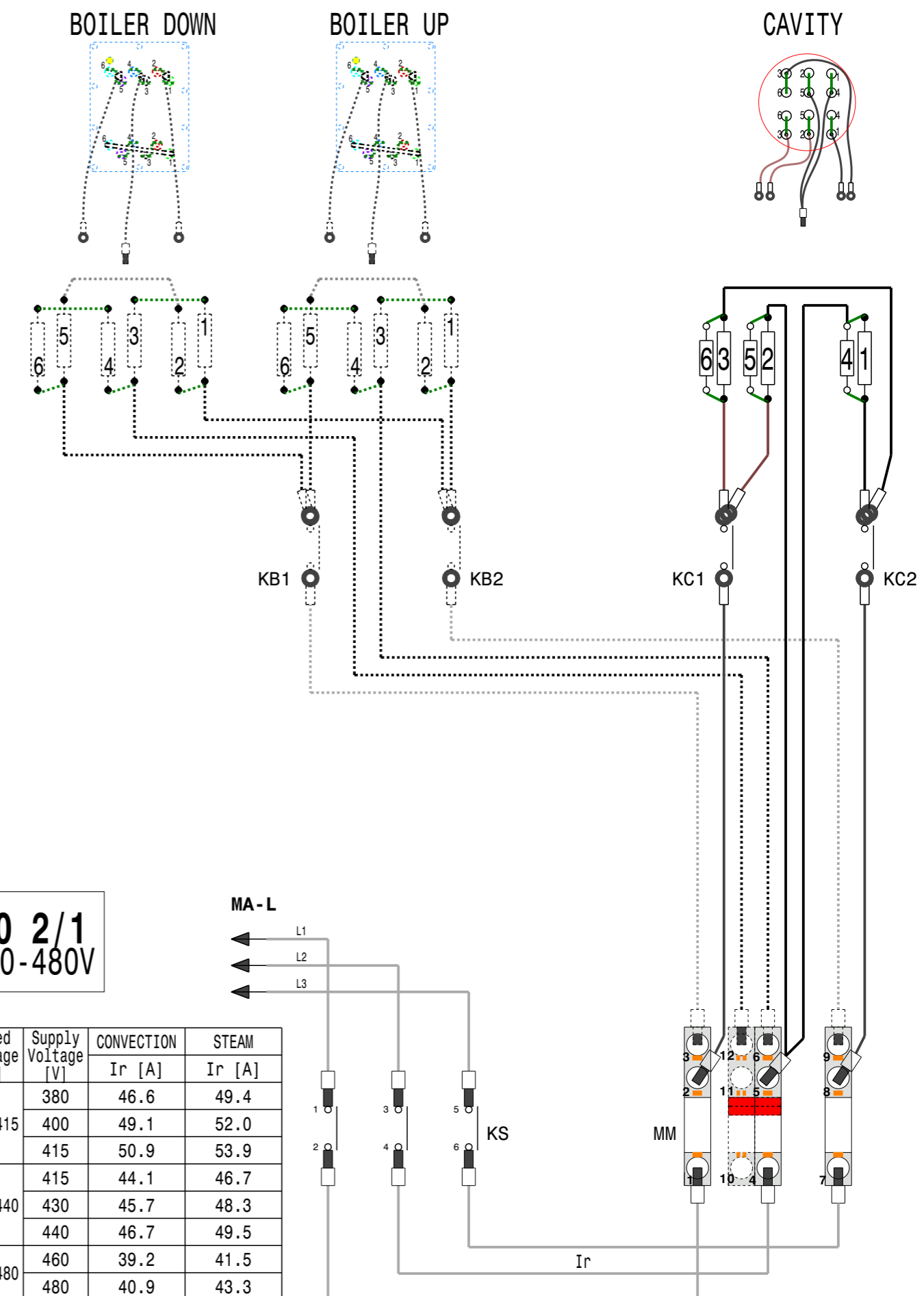
ELECTRICAL POWER WIRING

"ELECTRIC"



6 2/1
380-480V

Rated Voltage [V]	Supply Voltage [V]	CONVECTION	STEAM
		Ir [A]	Ir [A]
380-415	380	27.4	24.7
	400	28.9	26.0
	415	30.0	27.0
415-440	415	25.9	23.3
	430	26.9	24.2
460-480	440	27.5	24.7
	460	23.1	20.7
	480	24.1	21.7

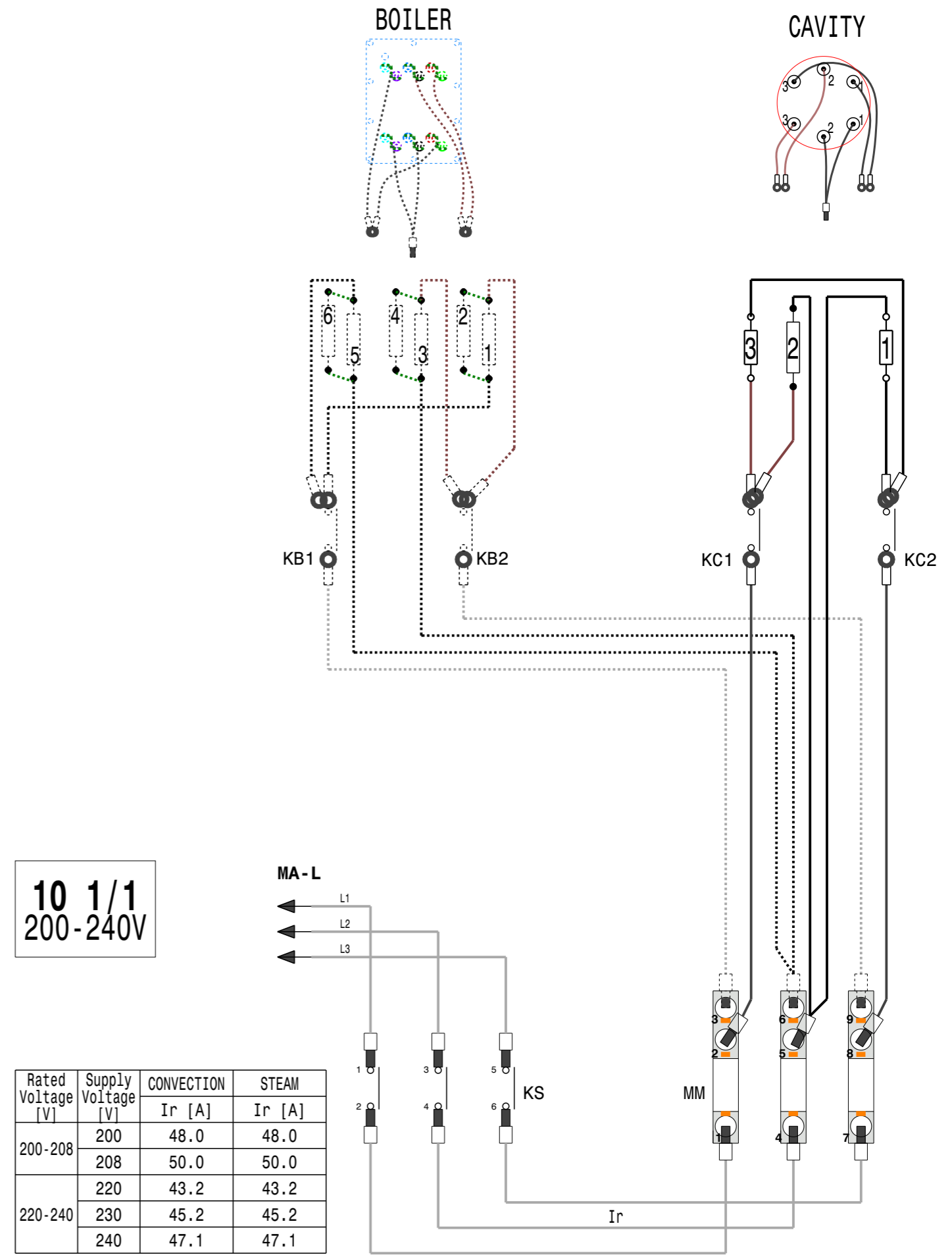
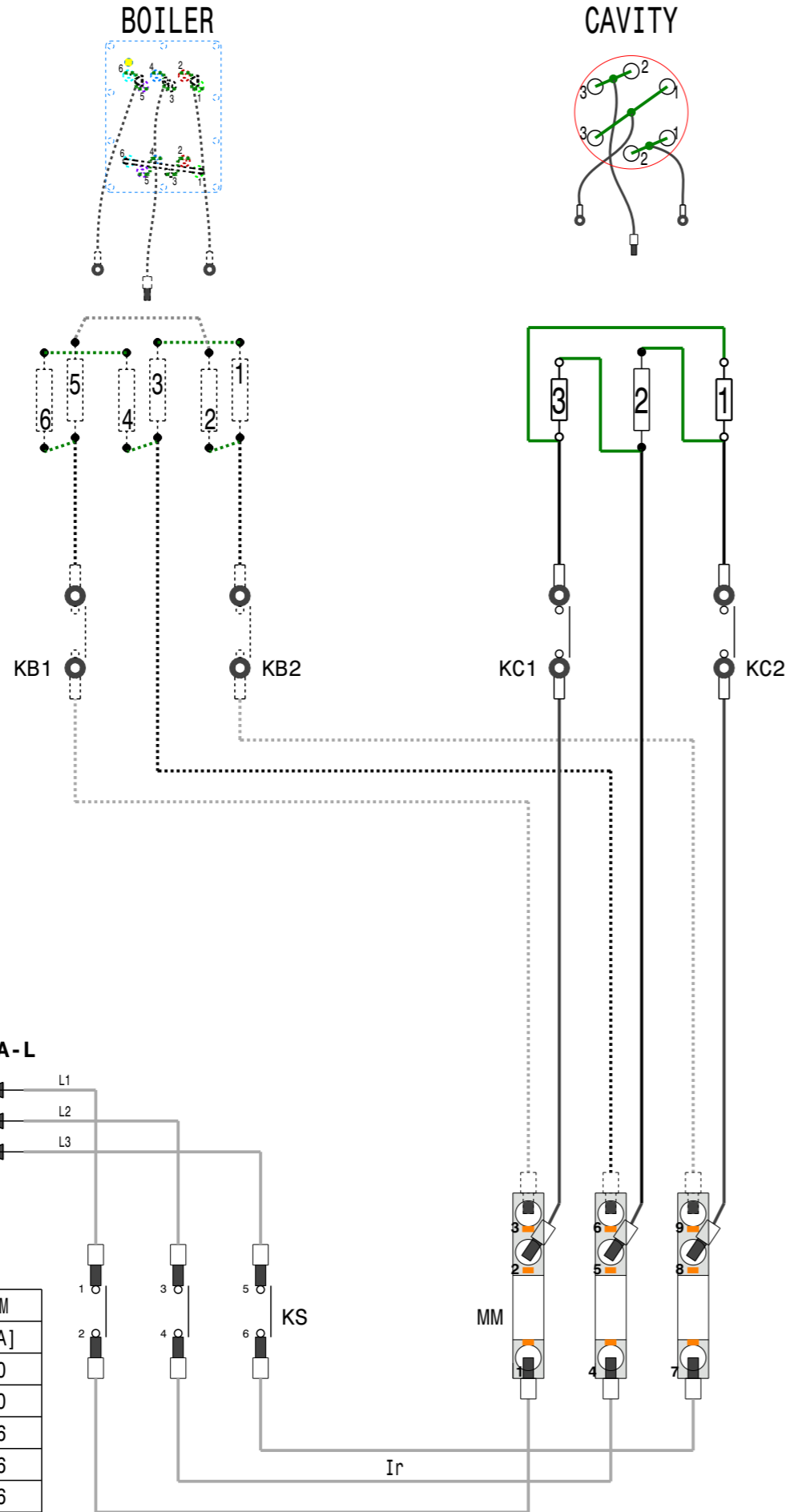


10 2/1
380-480V

Rated Voltage [V]	Supply Voltage [V]	CONVECTION	STEAM
		Ir [A]	Ir [A]
380-415	380	46.6	49.4
	400	49.1	52.0
	415	50.9	53.9
415-440	415	44.1	46.7
	430	45.7	48.3
460-480	440	46.7	49.5
	460	39.2	41.5
	480	40.9	43.3

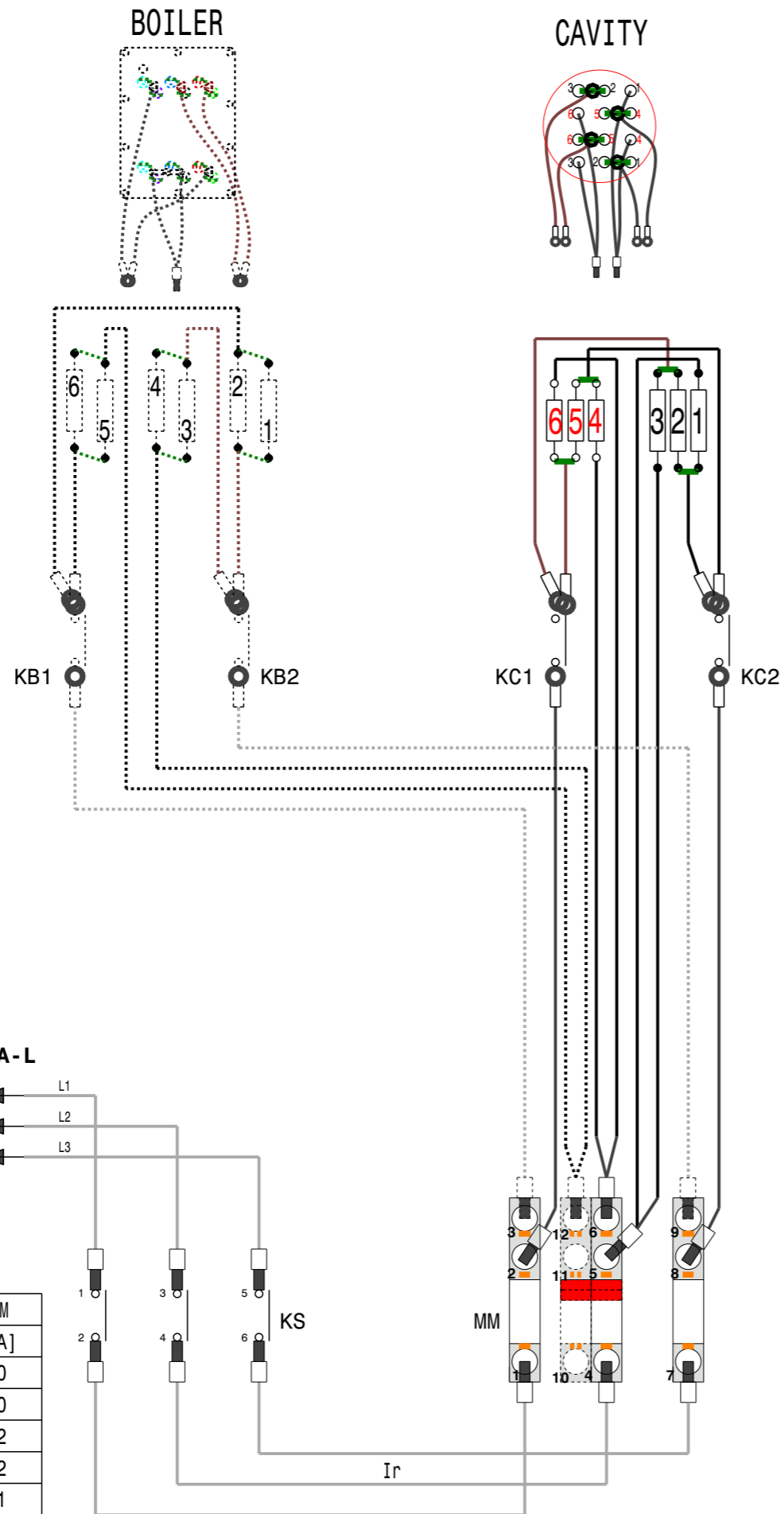
ELECTRICAL POWER WIRING

"ELECTRIC"



ELECTRICAL POWER WIRING

"ELECTRIC"



6 2/1
200-240V

Rated Voltage [V]	Supply Voltage [V]	CONVECTION	STEAM
		Ir [A]	Ir [A]
200-208	200	53.4	48.0
	208	55.5	50.0
220-240	220	48.0	43.2
	230	50.2	45.2
	240	52.4	47.1

ELECTRICAL POWER WIRING

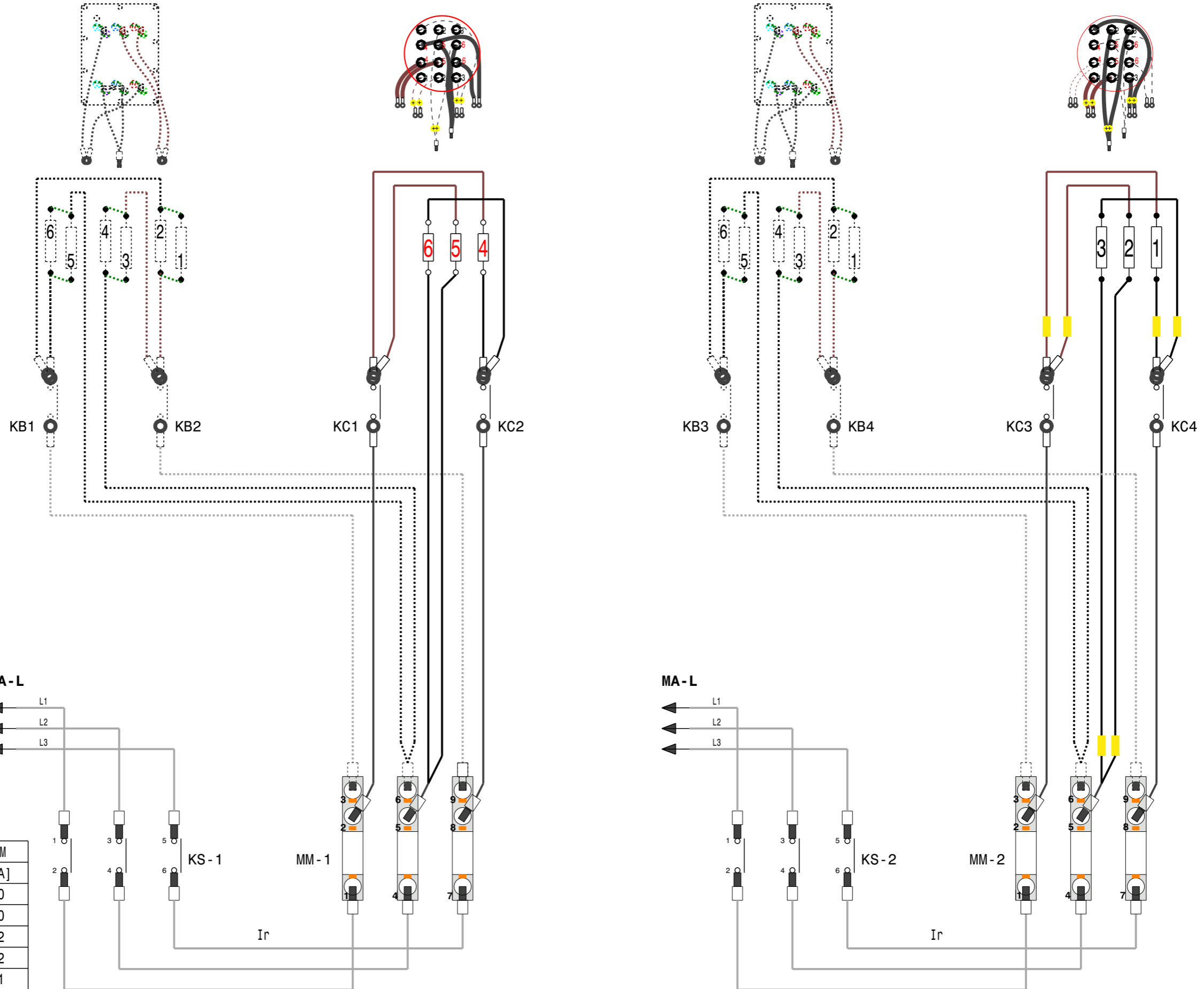
"ELECTRIC"

BOILER UP

CAVITY

BOILER DOWN

CAVITY



10 2/1
200-240V

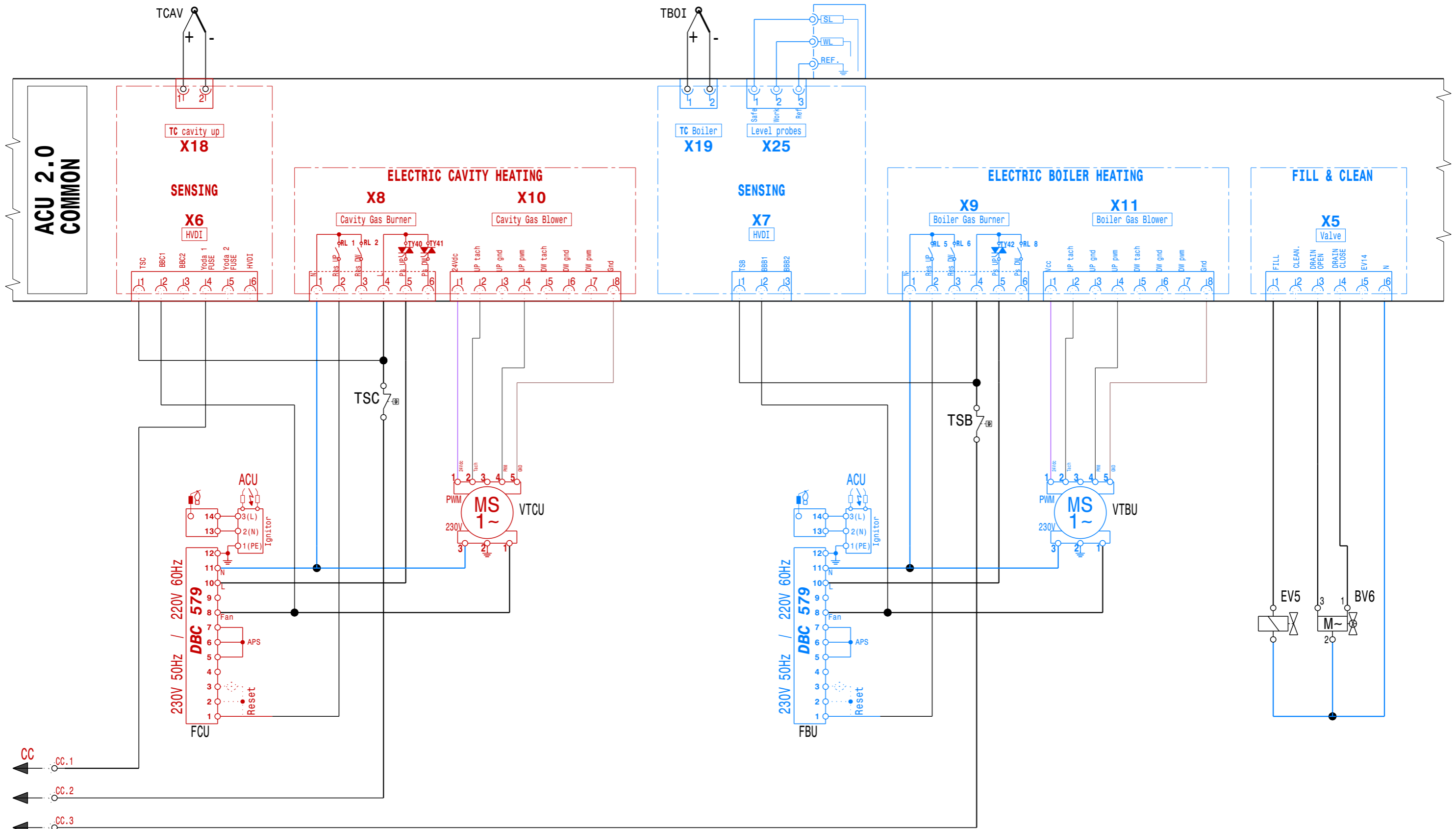
Rated Voltage [V]	Supply Voltage [V]	CONVECTION	STEAM
		Ir [A]	Ir [A]
200-208	200	45.4	48.0
	208	47.2	50.0
220-240	220	40.8	43.2
	230	42.7	45.2
	240	44.5	47.1

BOILER

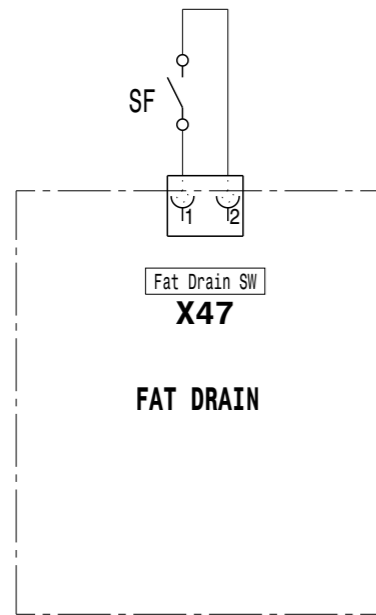
"GAS"

GAS CONVECTIONS

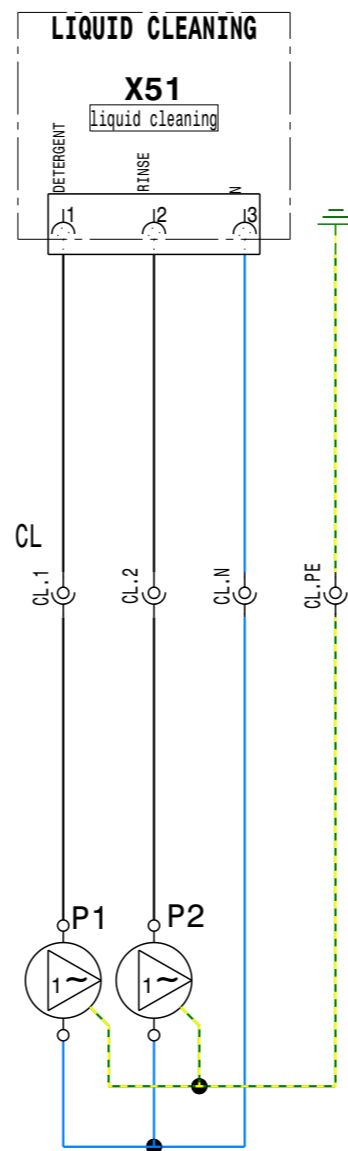
GAS BOILER (OPTION)



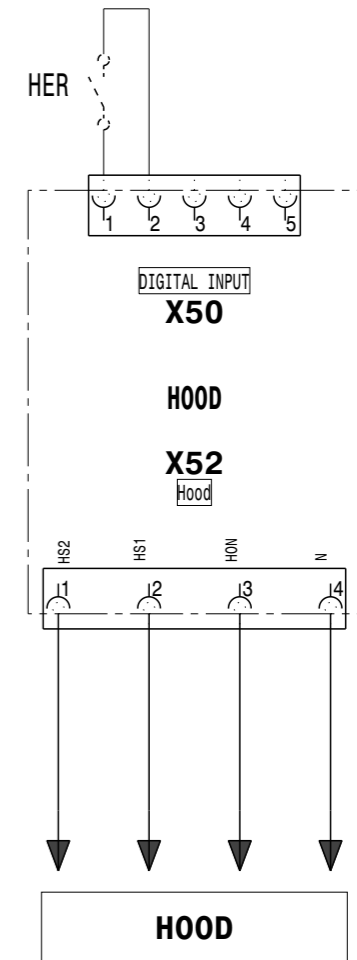
FAT DRAIN SYSTEM



LIQUID CLEANING



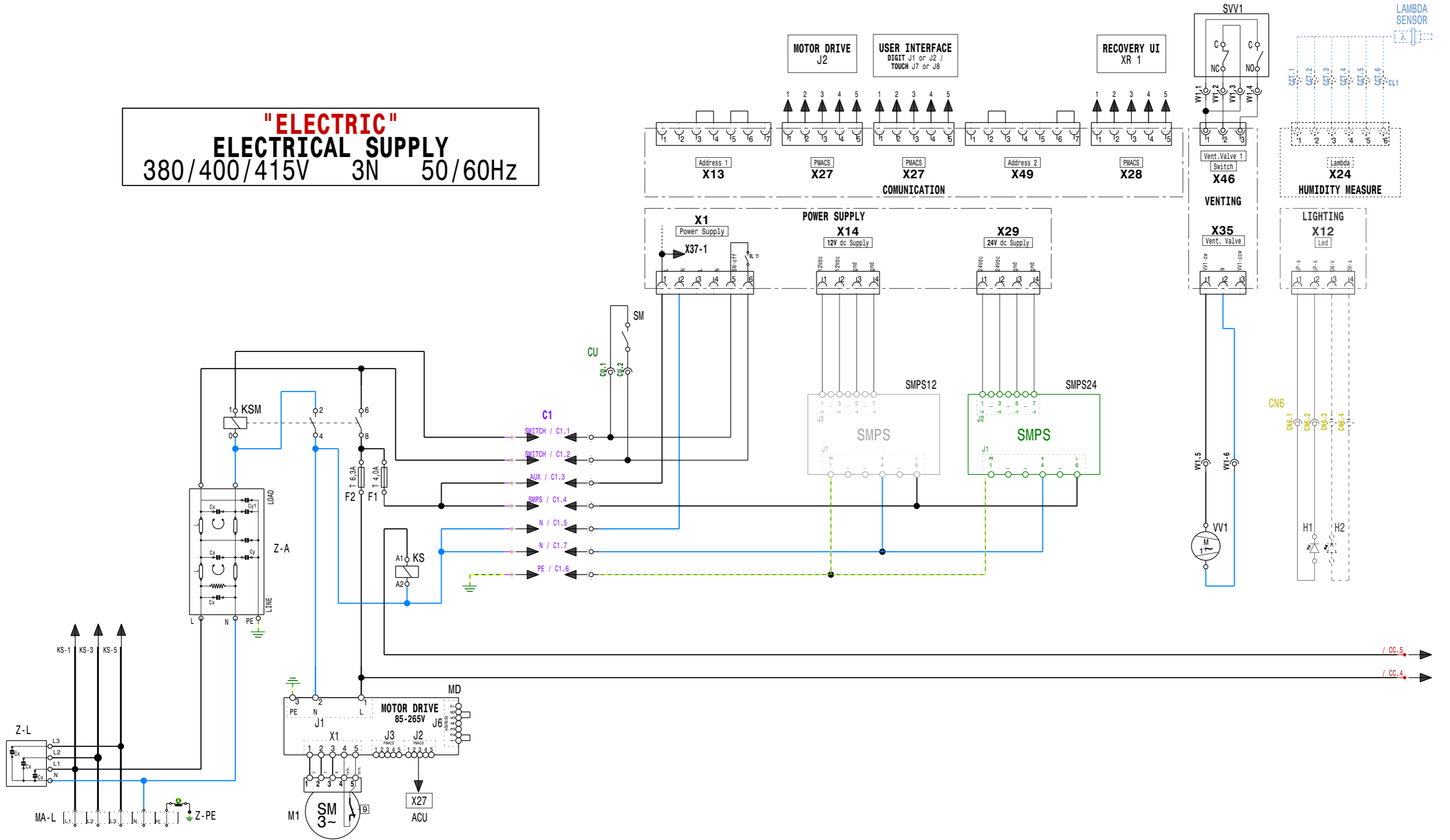
EXTRACTION HOOD



BV15	FAT DRAIN BALL VALVE	-	-
SF	FAT DRAIN SWITCH	-	-
-	-	-	-

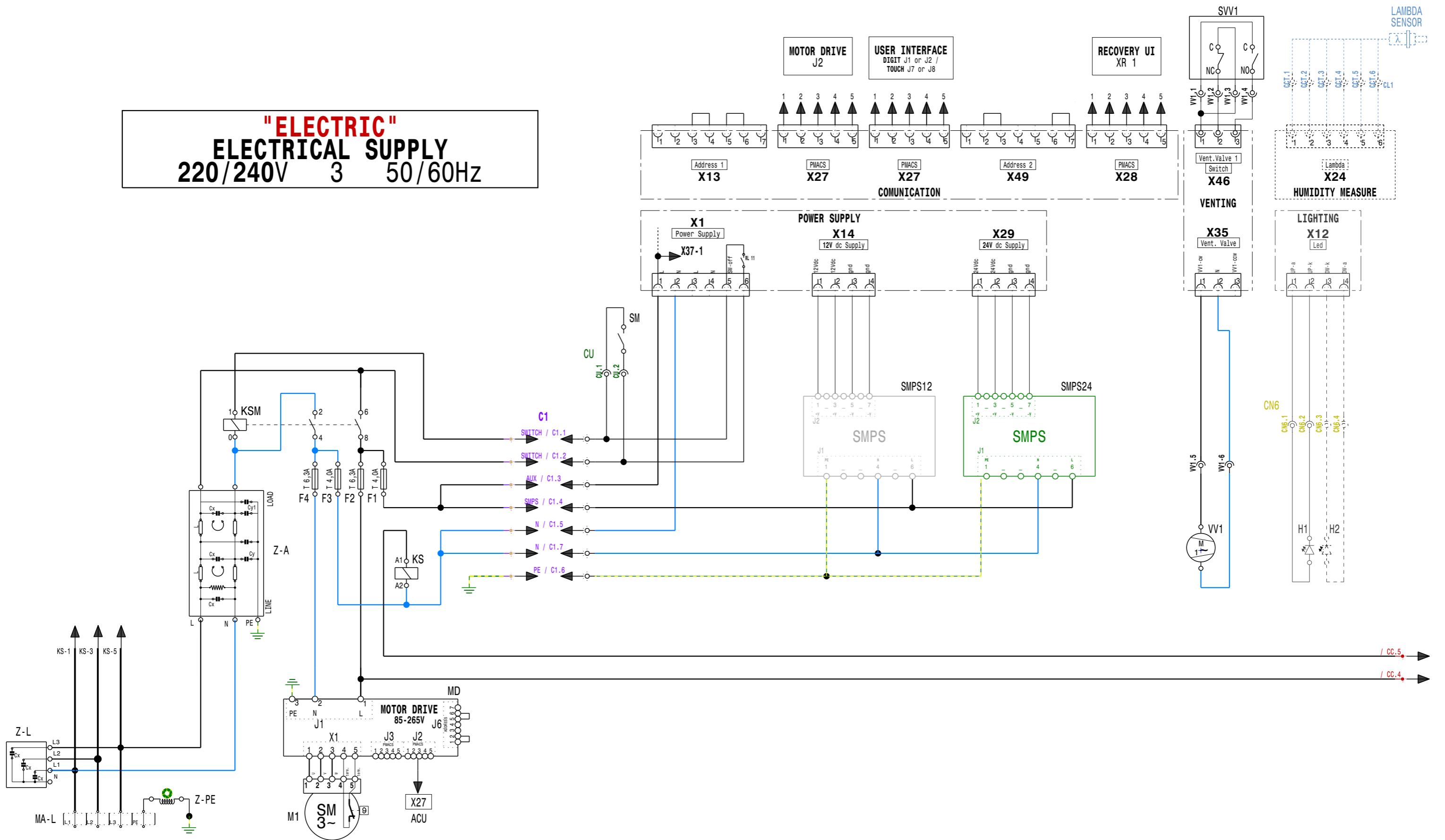
P1	RINSE PUMP	-	-
P2	DETERGENT PUMP	-	-
-	-	-	-

"ELECTRIC"
ELECTRICAL SUPPLY
 380/400/415V 3N 50/60Hz

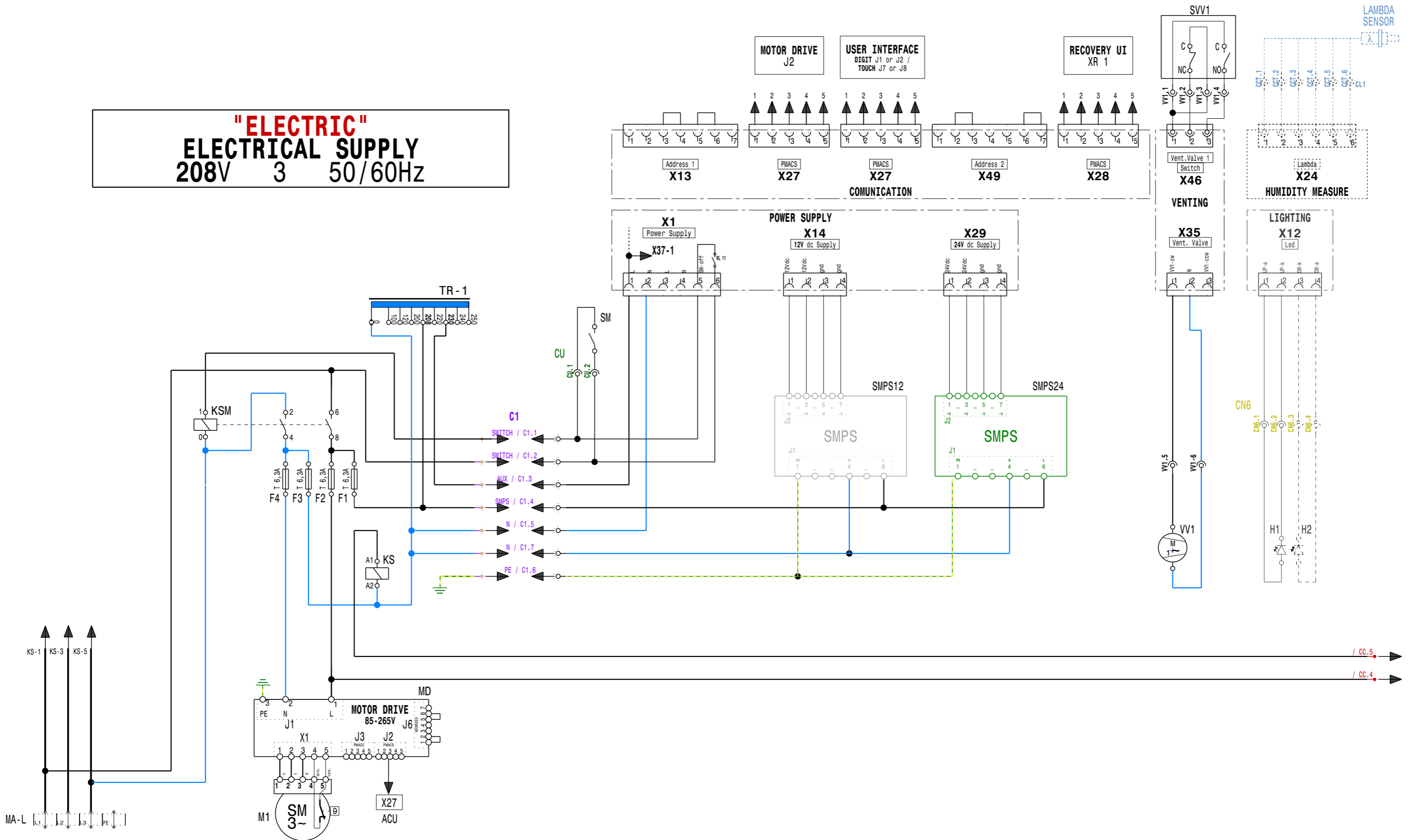


/ CC.5
 / CC.4

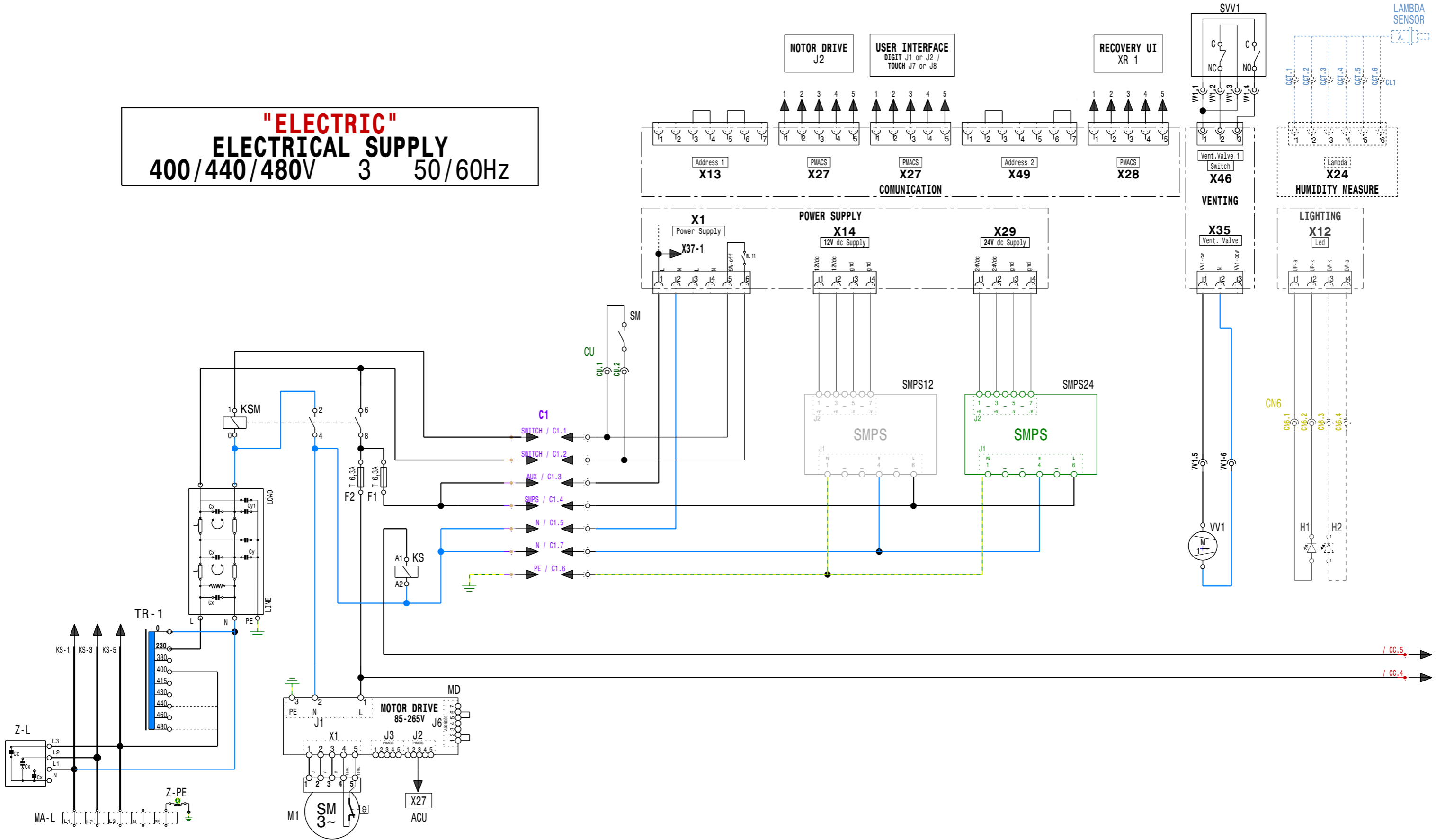
"ELECTRIC"
ELECTRICAL SUPPLY
 220/240V 3 50/60Hz

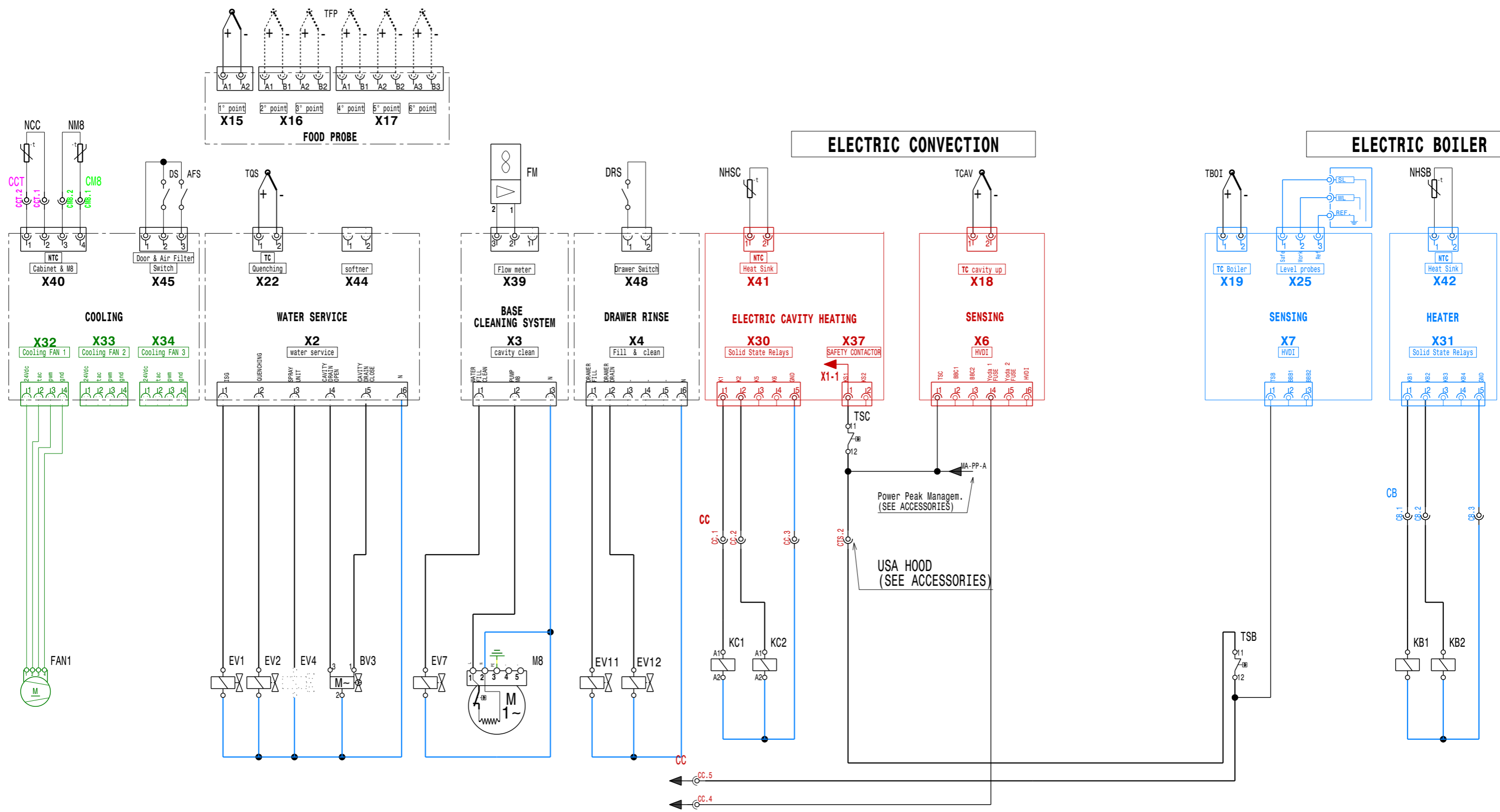


"ELECTRIC"
ELECTRICAL SUPPLY
 208V 3 50/60Hz

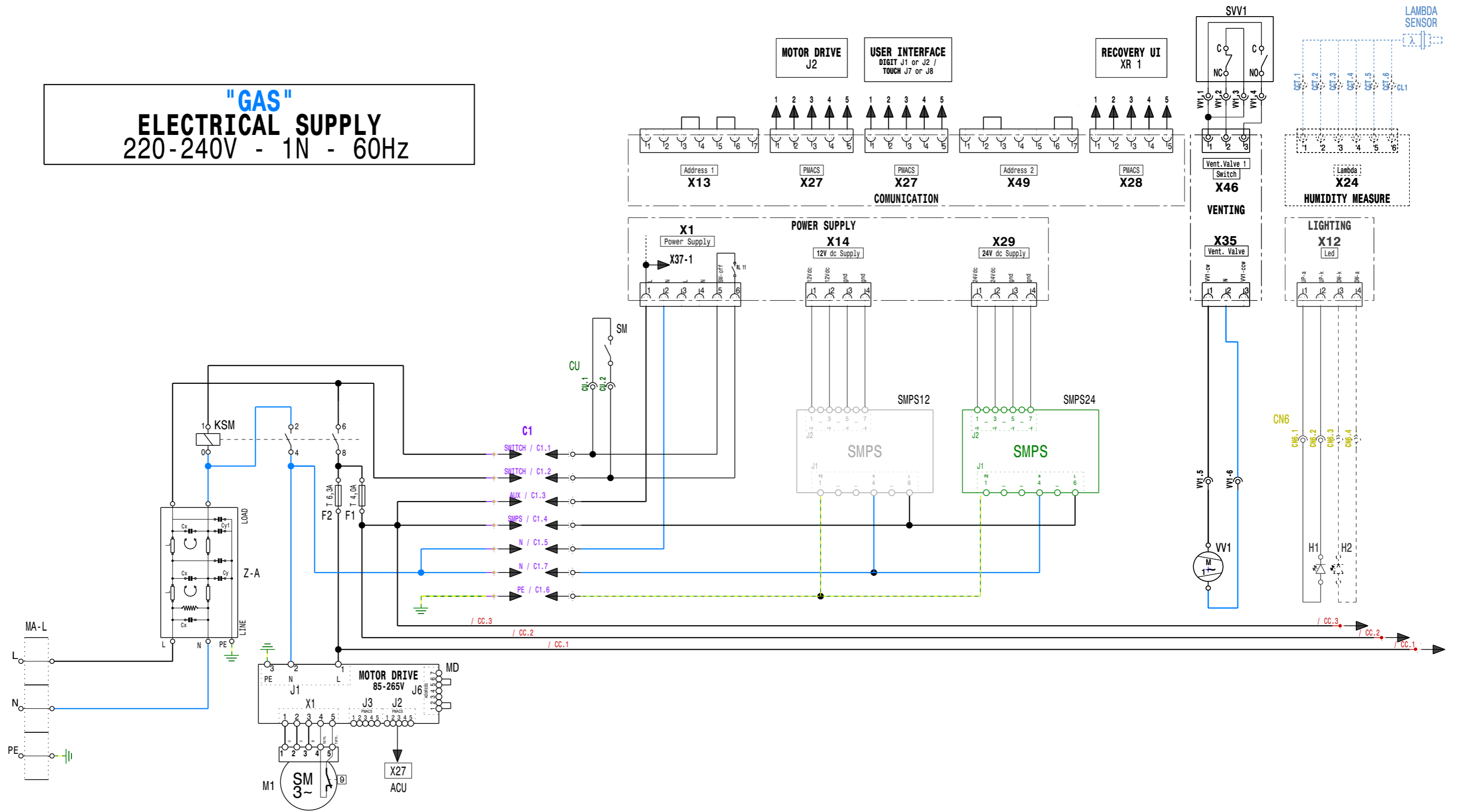


"ELECTRIC"
ELECTRICAL SUPPLY
400/440/480V 3 50/60Hz

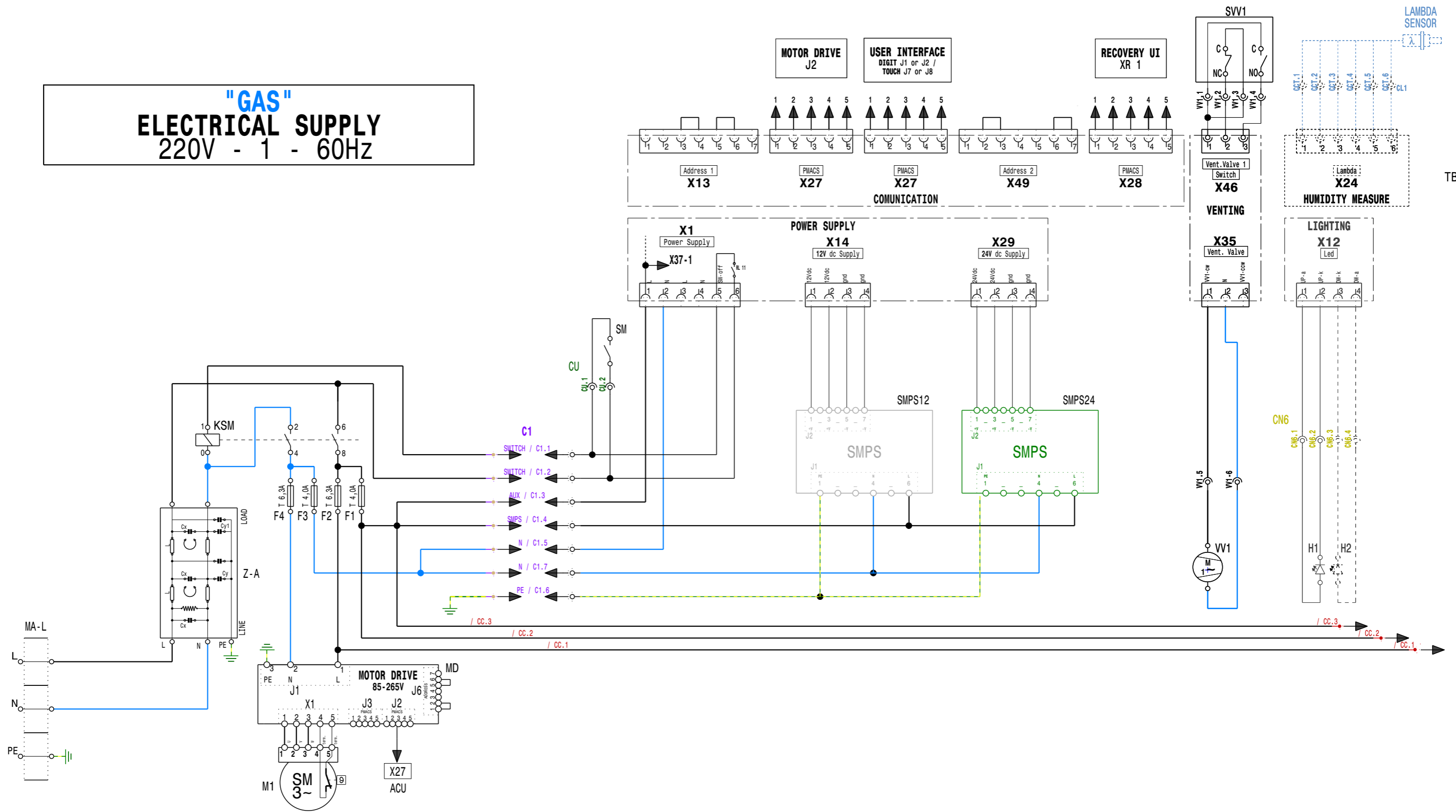




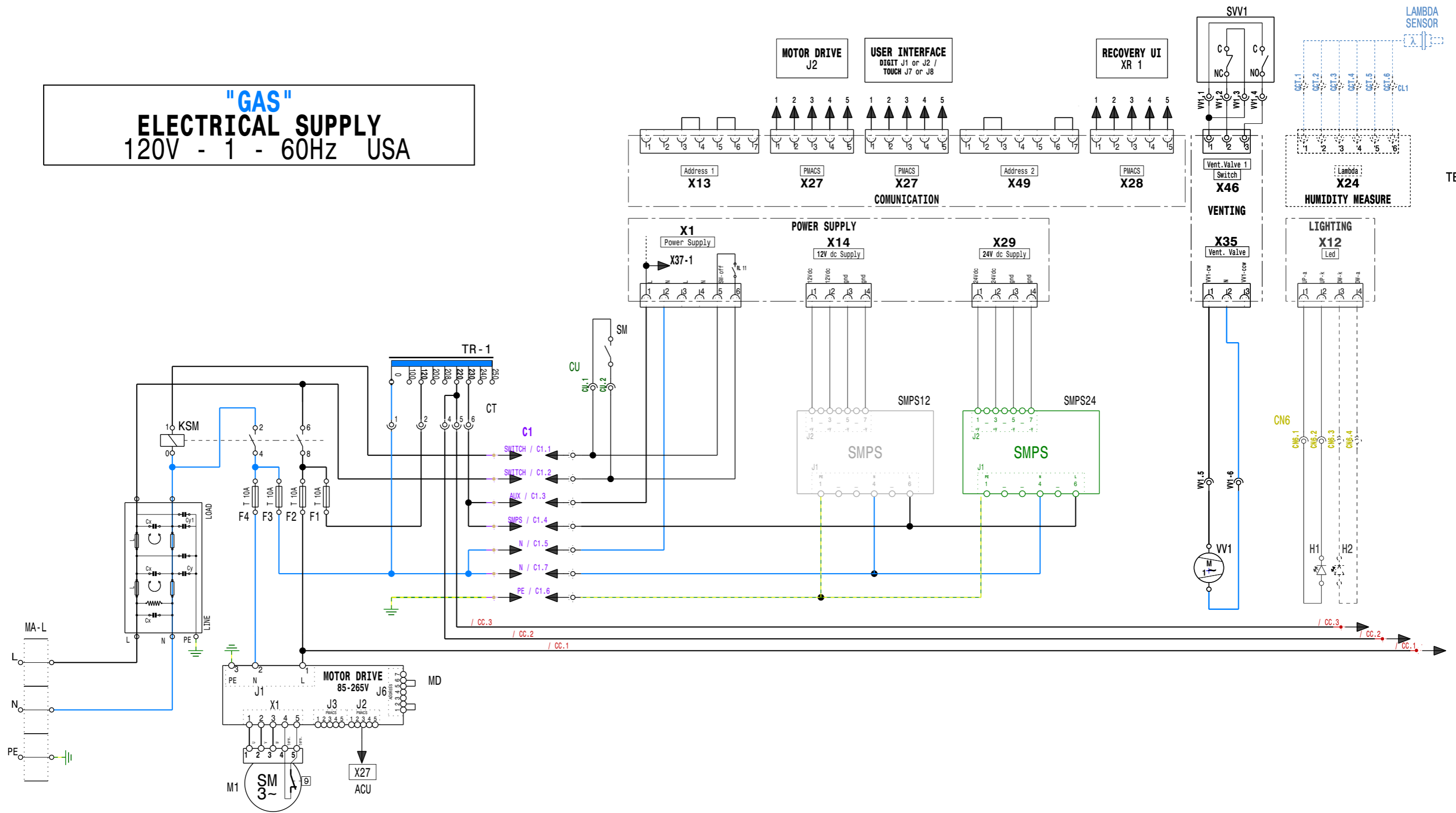
"GAS"
ELECTRICAL SUPPLY
 220-240V - 1N - 60Hz

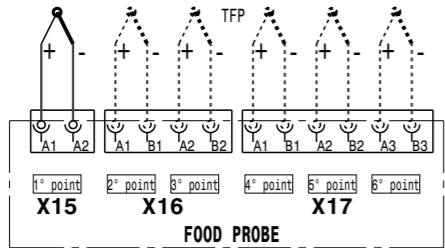
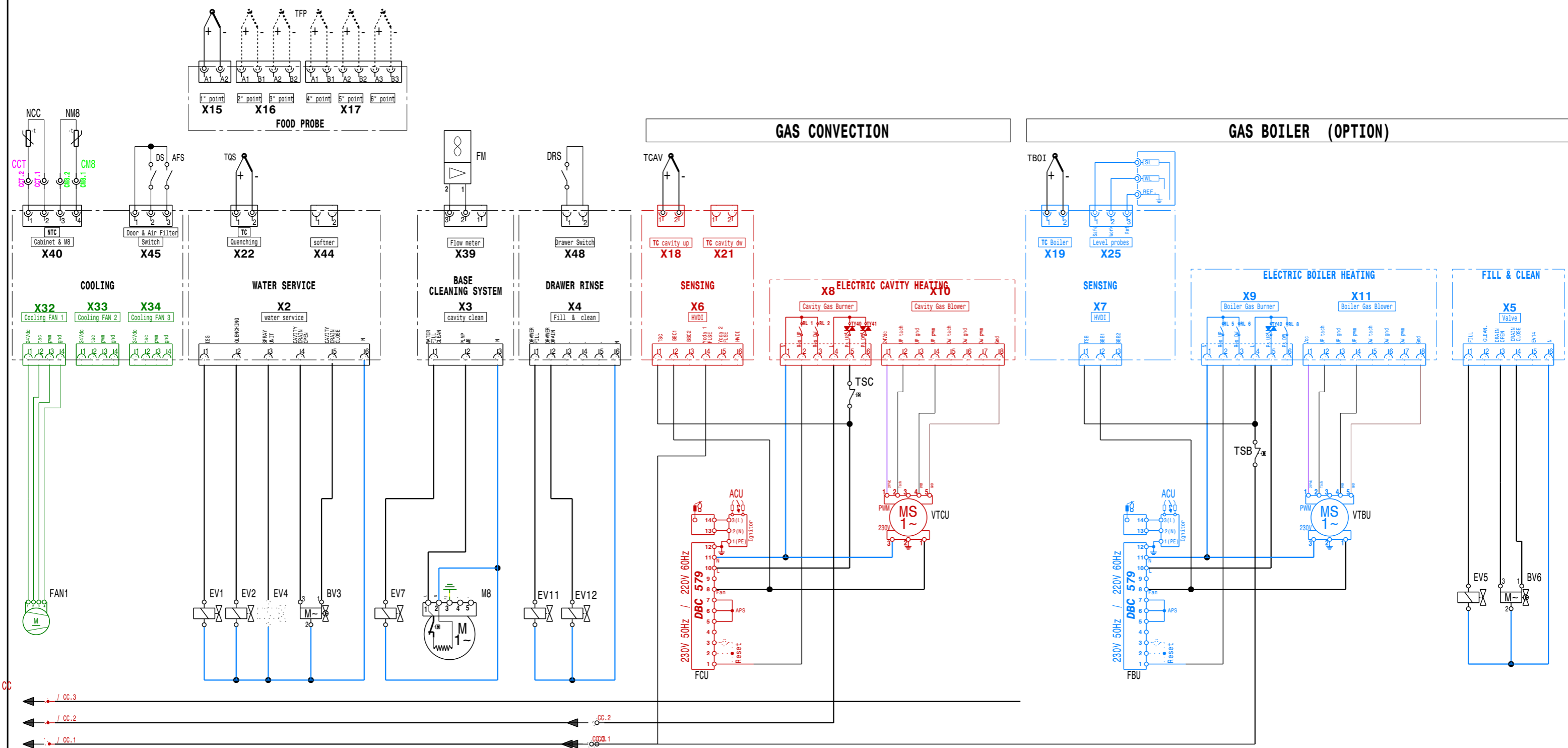


"GAS"
ELECTRICAL SUPPLY
 220V - 1 - 60Hz



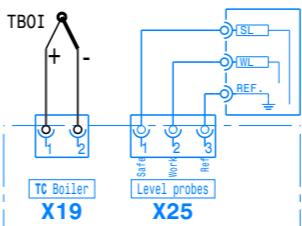
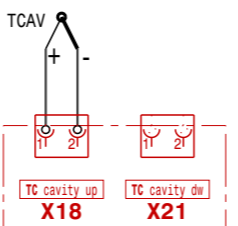
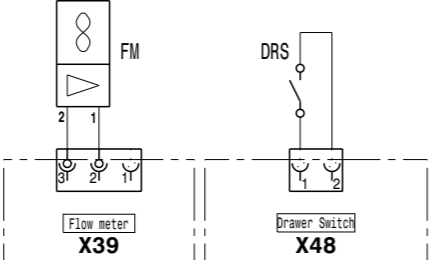
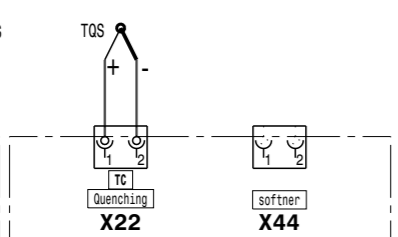
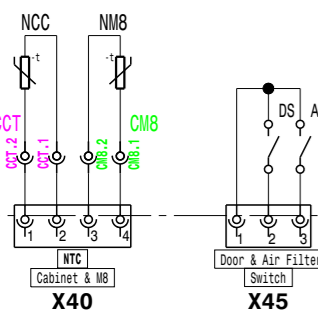
"GAS"
ELECTRICAL SUPPLY
 120V - 1 - 60Hz USA





GAS CONVECTION

GAS BOILER (OPTION)



COOLING

WATER SERVICE

BASE CLEANING SYSTEM

DRAWER RINSE

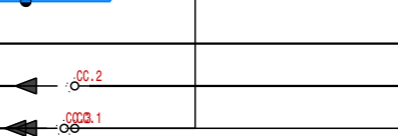
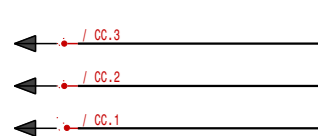
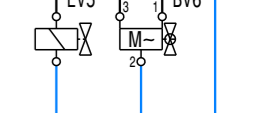
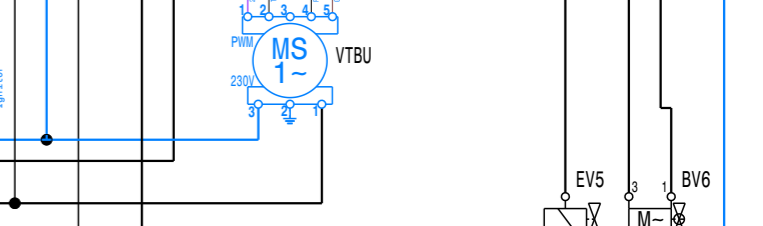
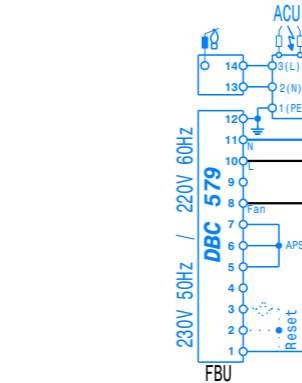
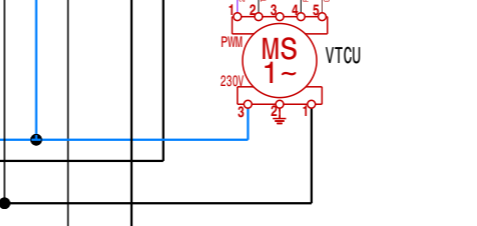
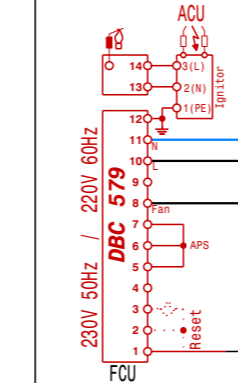
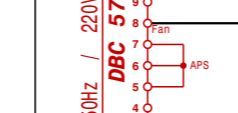
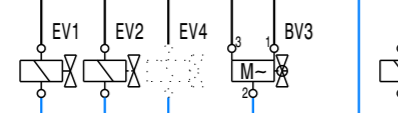
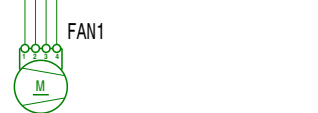
SENSING

X8 ELECTRIC CAVITY HEATING

SENSING

ELECTRIC BOILER HEATING

FILL & CLEAN



KC1	CAVITY SOLID STATE RELAY 1	NHSC	NTC CAVITY SSR HEAT SINK	EV5	BOILER FILL SOLENOID VALVE	KB1	BOILER SOLID STATE RELAY 1	NHSB	NTC BOILER SSR HEAT SINK
KC2	CAVITY SOLID STATE RELAY 2	TCAV	CAVITY THERMOCOUPLE	BV6	BOILER DRAIN BALL VALVE	KB2	BOILER SOLID STATE RELAY 2	TBOI	BOILER THERMOCOUPLE
TSC	CAVITY SAFETY THERMOSTAT							TSB	BOILER SAFETY THERMOSTAT
					COD 602402F06 ELECTRIC DIAGRAM 6/10 "ELT" 380-480V CKM			From S/N :	

