



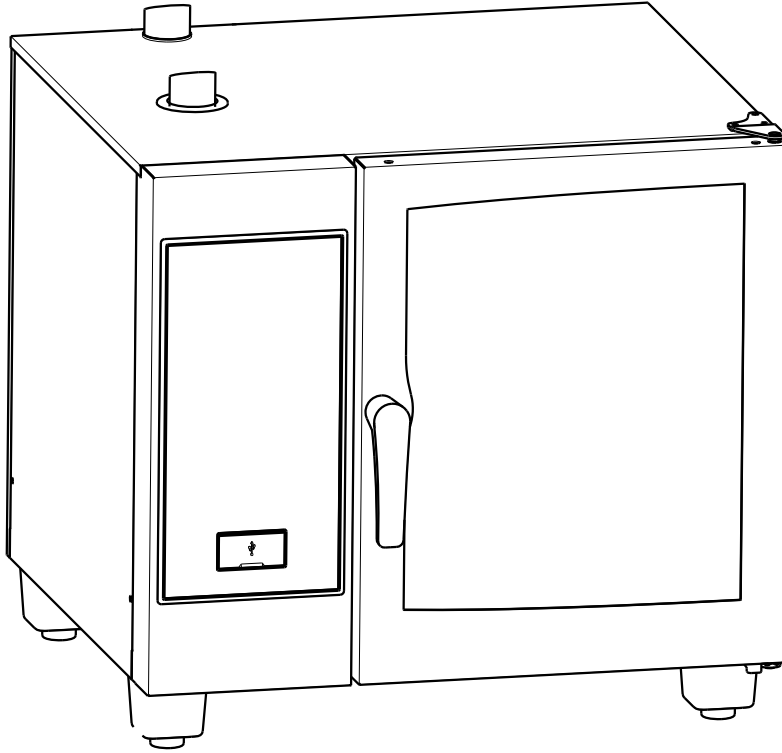
**MOD : SDE/06S**

**Production code : 228905**

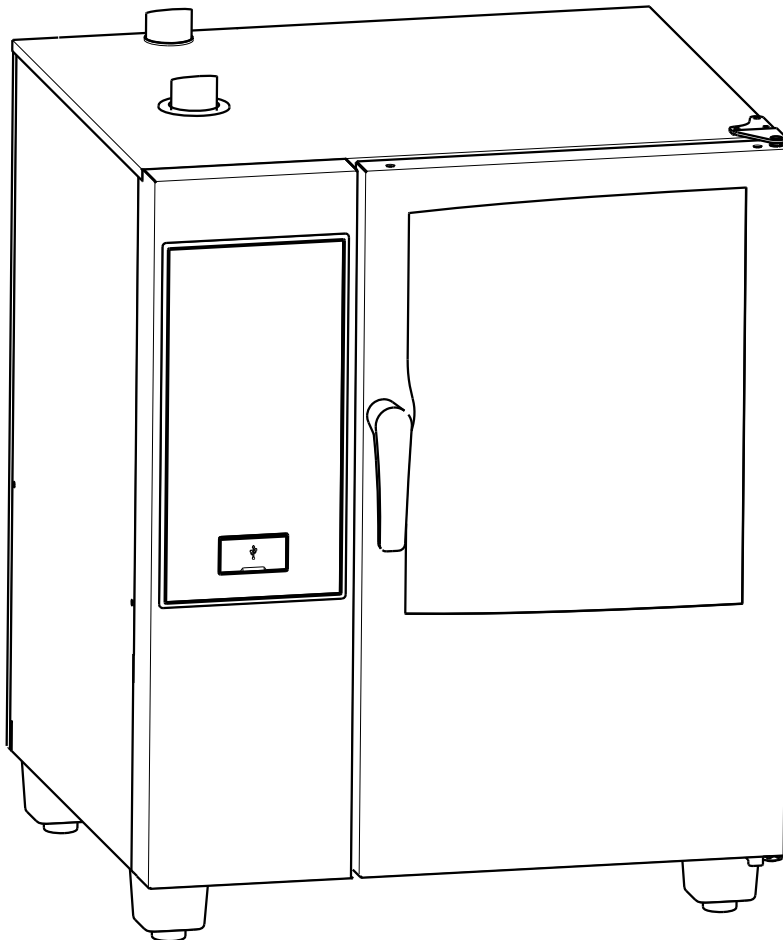
**01/2026**

# ELECTRIC OVENS

## Electrical Documentation



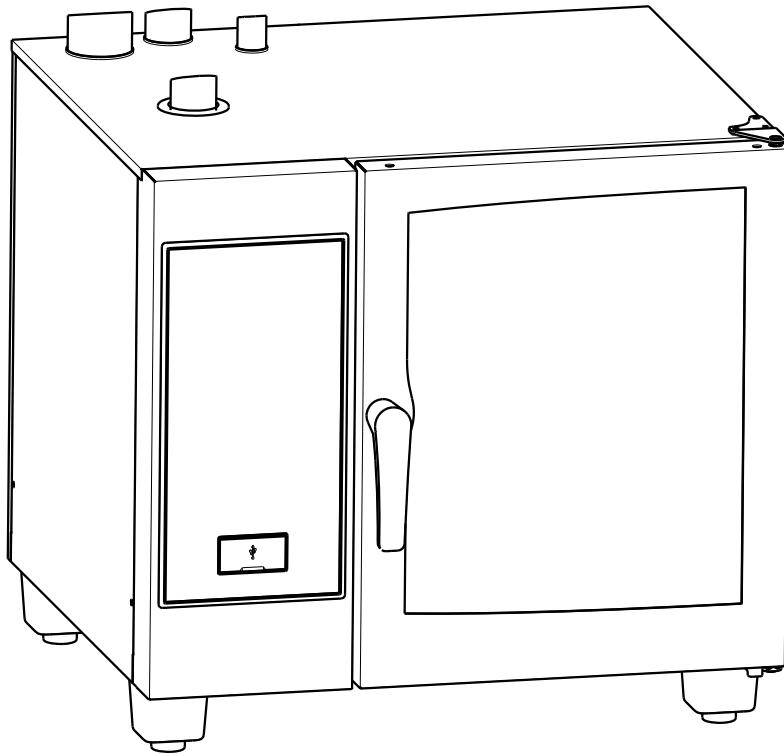
6 1/1  
&  
6 2/1



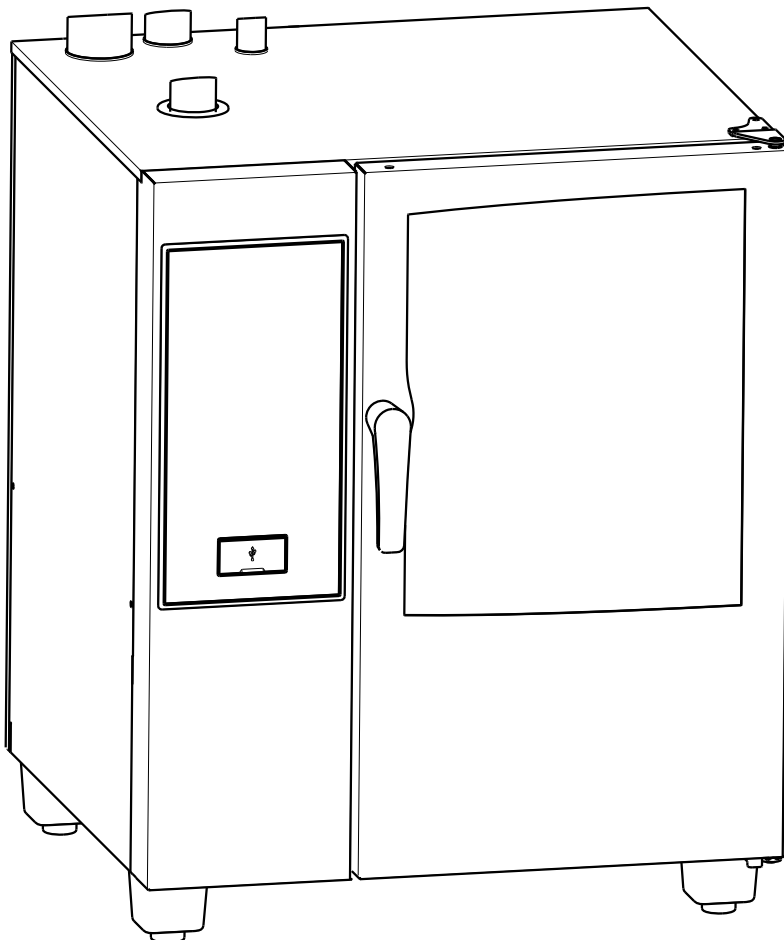
10 1/1  
&  
10 2/1

# GAS OVENS

## Electrical Documentation

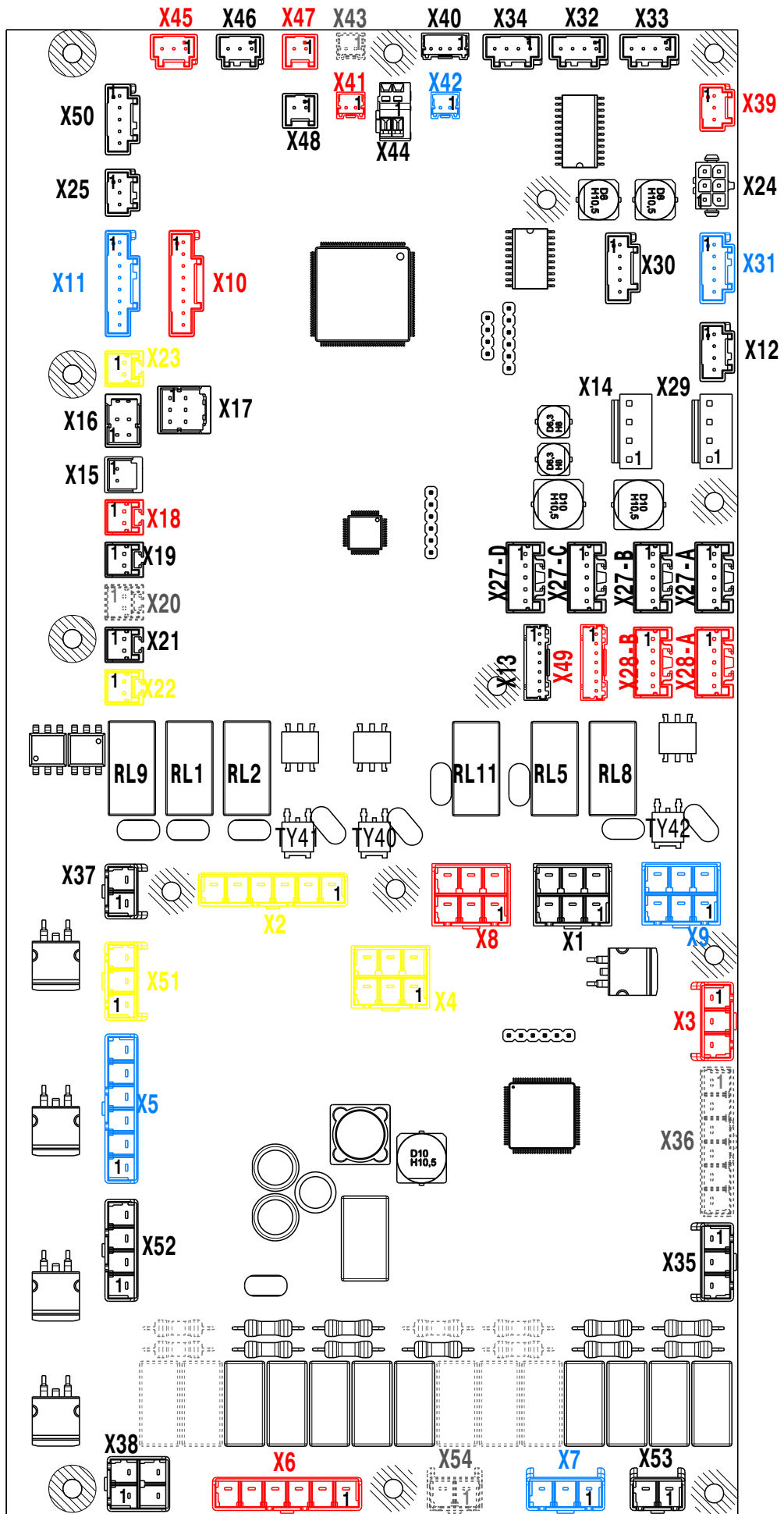


6 1/1  
&  
6 2/1



10 1/1  
&  
10 2/1

# MAIN BOARD ACU



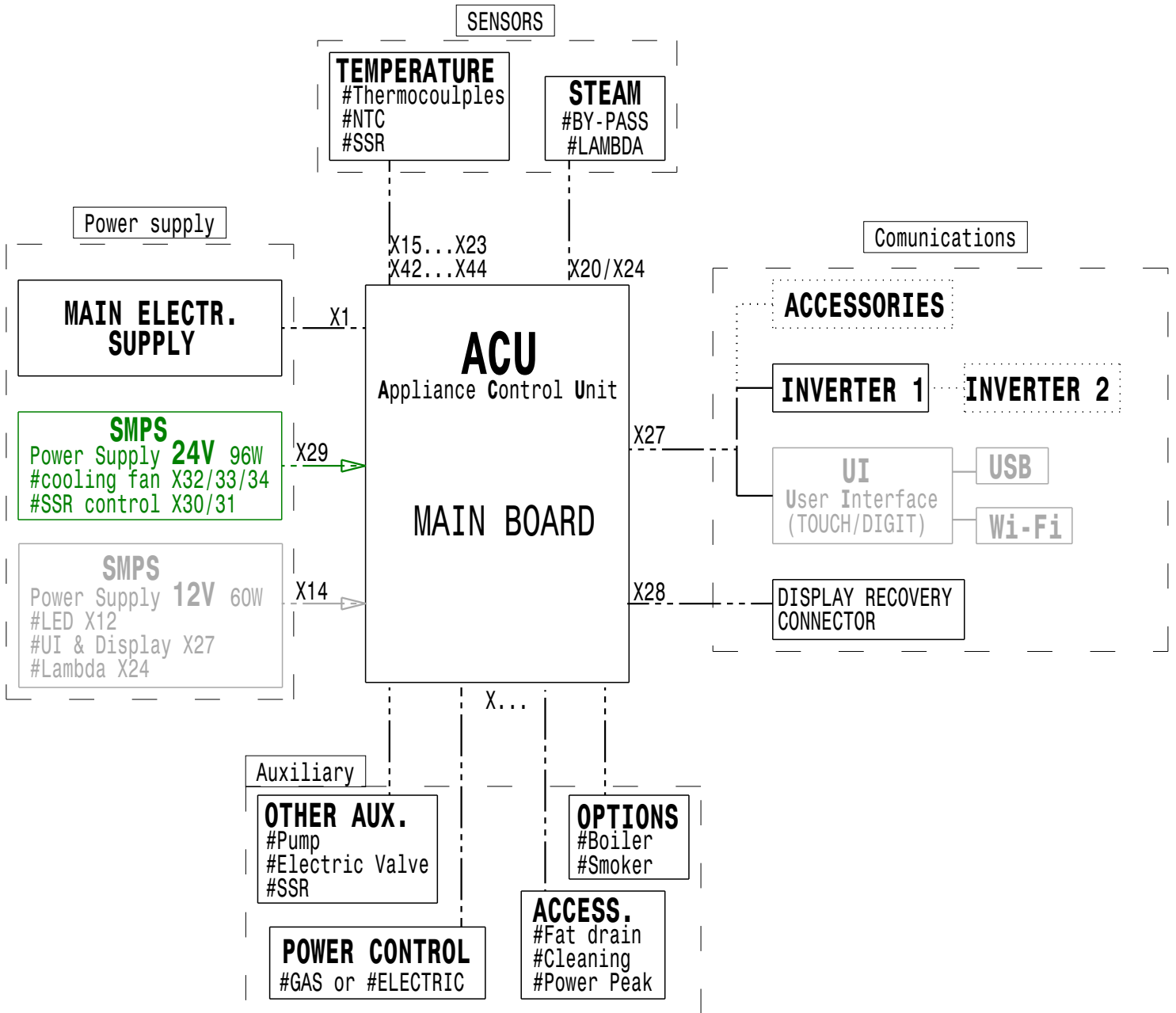
# ACU LEGENDA

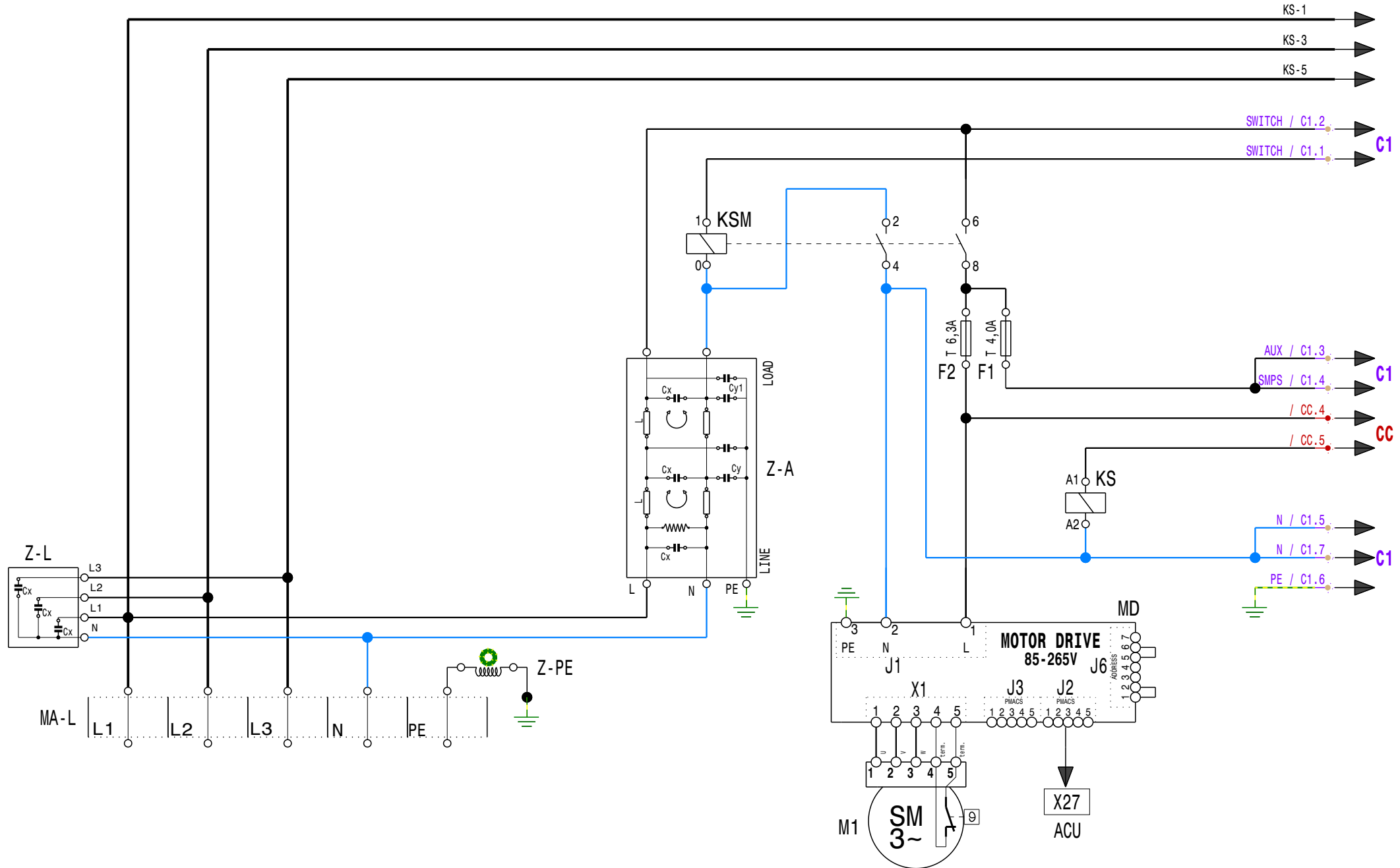
Ref.	Group	Pin	Direct.	Function
X1	Power Supply	1	IN	L Power Supply
		2	IN	N Power Supply
		3	IN	L Power Supply
		4	IN	N Power Supply
		5	IN	
		6	OUT	SW-OFF Auto switch off
X2	Water Service	1	OUT	EV1 Instant steam solenoid valve
		2	OUT	EV2 Quenching solenoid valve
		3	OUT	EV4 Spray unit solenoid valve
		4	OUT	BV3 Cavity drain ball valve OPEN
		5	OUT	BV3 Cavity drain ball valve CLOSE
		6	OUT	N
X3	Clean. Syst. Basic	1	OUT	EV7 Cleaning water fill solenoid valve
		2	OUT	M8 Cleaning pump
		3	OUT	N
X4	Cleaning System Drawer Rinse	1	OUT	EV11 Drawer fill solenoid valve
		2	OUT	EV12 Drawer drain solenoid valve
		3	OUT	
		4	OUT	
		5	OUT	
		6	OUT	N
X5	Boiler Fill & Clean	1	OUT	EV5 Boiler fill solenoid valve
		2	OUT	
		3	OUT	BV6 Boiler drain ball valve OPEN
		4	OUT	BV6 Boiler drain ball valve CLOSE
		5	OUT	
		6	OUT	N
X6	Sensing	1	IN	TSC Cavity safety thermostat
		2	IN	BBC1 Cavity gas blower burner
		3	IN	
		4	IN	HV14 Motor drive fuse
		5	IN	
		6	IN	
X7	Sensing	1	IN	TSB Boiler safety thermostat
		2	IN	BBB1 Boiler gas blower burner
		3	IN	
X8	Cavity GAS burner	1	OUT	N
		2	OUT	FCU Cavity flame control unit reset
		3	OUT	
		4	IN	FCU Cavity flame control unit power supply IN
		5	OUT	FCU Cavity flame control unit power supply OUT
		6	OUT	
X9	Boiler GAS burner	1	OUT	N
		2	OUT	FBU Boiler flame control unit reset
		3	OUT	
		4	IN	FBU Boiler flame control unit power supply IN
		5	OUT	FBU Boiler flame control unit power supply OUT
		6	OUT	
X10	Cavity GAS blower	1	OUT	VTCU Cavity blower control Power supply
		2	IN	VTCU Cavity blower control Tachometer
		3	IN	
		4	OUT	VTCU Cavity blower control Speed
		5	IN	
		6	IN	
		7	OUT	
		8	OUT	VTCU Boiler blower control GND
X11	Boiler GAS blower	1	OUT	VTBU Boiler blower control Power supply
		2	IN	VTBU Boiler blower control Tachometer
		3	IN	
		4	OUT	VTBU Boiler blower control Speed control
		5	IN	
		6	IN	
		7	OUT	
		8	OUT	VTBU Boiler blower control GND

Ref.	Group	Pin	Direct.	Function
X12	Led	1	OUT	H1 LED lighting 1 anode
		2	IN	H1 LED lighting 1 catode
		3	IN	H2 LED lighting 2 catode
		4	OUT	H2 LED lighting 2 anode
X13				Adress
X14	12V	1	IN	+12V dc
		2	IN	
		3	IN	0V dc
		4	IN	
X15	Food probe temperature	A1	IN	TFP 1 <sup>st</sup> point food probe temperature
		B1	IN	
X16	Food probe temperature	A1	IN	TFP 2 <sup>nd</sup> point food probe temperature
		B1	IN	
X17	Food probe temperature	A2	IN	TFP 3 <sup>rd</sup> point food probe temperature
		B2	IN	
X18	Temper.	A1	IN	TFP 4 <sup>th</sup> point food probe temperature
		B1	IN	
X19	Temper.	A2	IN	TFP 5 <sup>th</sup> point food probe temperature
		B2	IN	
X20	Temper.	A3	IN	TFP 6 <sup>th</sup> point food probe temperature
		B3	IN	
X18	Temper.	1	IN	TCAV Cavity Thermocouple
		2	IN	
X19	Temper.	1	IN	TBO1 Boiler Thermocouple
		2	IN	
X20	Temper.			-- NOT USE --
X21	Temper.			-- NOT USE --
X22	Temper.	1	IN	TQS Quenching System Thermocouple
		2	IN	
X23	Temper.	1	IN	TAR Aromatizer Thermocouple
		2	IN	
X24	Lambda			Lambda sensor
X25	Boiler level	1	IN/OUT	SL Boiler safety level dection probe
		2	IN/OUT	WL Boiler working level dection probe
		3	IN	REF Boiler level detection probes reference
X27-A				PMACS communication BUS
X27-B				PMACS communication BUS
X27-C				PMACS communication BUS
X27-D				PMACS communication BUS
X28-A				PMACS Recovery communication BUS
X28-B				PMACS Recovery communication BUS
X29	24V	1	IN	+24V dc
		2	IN	
		3	IN	0V dc
		4	IN	
X30	Cavity SSR	1	OUT	KC1 Cavity 1 solid state relay
		2	OUT	KC2 Cavity 2 solid state relay
		3	OUT	
		4	OUT	
		5	OUT	0V dc
X31	Boiler SSR	1	OUT	KB1 Boiler 1 solid state relay
		2	OUT	KB2 Boiler 2 solid state relay
		3	OUT	
		4	OUT	
		5	OUT	0V dc

Ref.	Group	Pin	Direct.	Function
X32	Cooling Fan 1	1	OUT	FAN1 Cooling fan 1 power supply 24Vdc
		2	IN	FAN1 Cooling fan 1 tachometer sensor
		3	OUT	FAN1 Cooling fan 1 speed control
		4	OUT	FAN1 Cooling fan 1 power supply 0Vdc
X33	Cooling Fan 2			-- NOT USE --
X34	Cooling Fan 3			-- NOT USE --
X35	Vent. Valve	1	OUT	VV1 Venting valve 1 cw rotation
		2	OUT	N
		3	OUT	VV1 Venting valve 1 ccw rotation
X36				-- NOT USE --
X37	KS	1	OUT	KS Safety contactor
		2	OUT	
X38	Smoker	1	OUT	N
		2	OUT	R1 (Smoker heating element)
		3	OUT	
		4	IN	
X39	Flow meter	1	OUT	+24V dc
		2	OUT	FM Flow meter reference
		3	IN	FM Flow meter feedback
X40	Temper.	1	OUT	NCC NTC cabinet components
		2	IN	
		3	OUT	NM8 NTC pump M8
		4	IN	
X41	Temper.	1	OUT	NHSC NTC Cavity SSR heatsink
		2	IN	
X42	Temper.	1	OUT	NHSB NTC Boiler SSR heatsink
		2	IN	
X43	Temper.			-- NOT USE --
X44	Softner	1	OUT	SSW1 Softner interface
		2	IN	
X45	Switch	1	OUT	24V Reference
		2	IN	DS Door switch
		3	IN	AFS Air filter switch
X46	switch	1	OUT	24V Reference
		2	IN	SVV1 Venting valve CLOSE switch
X47		3	IN	SVV1 Venting valve OPEN switch
		1	OUT	24V Reference
X48	Switch	2	IN	SF Fat drain valve status switch
		1	OUT	24V Reference
X49		2	IN	DRS Cleaning drawer switch
				Recovery Adress
X50		1	OUT	24V Reference
		2	IN	HER Hood error
		3	IN	
		4	IN	
		5	IN	
X51	Liquid Clean. Syst.	1	OUT	P1 Liquid dergent pump
		2	OUT	P2 Liquid rinse pump
		3	OUT	N
X52		1	OUT	HS2 Hood speed 2
		2	OUT	HS1 Hood speed 1
		3	OUT	HON Hood ON
		4	OUT	N Neutral
X53		1	IN	PPM1 Peak power managment 1 / Usa Hood
		2	IN	PPM2 Peak power managment 2
X54				-- NOT USE --

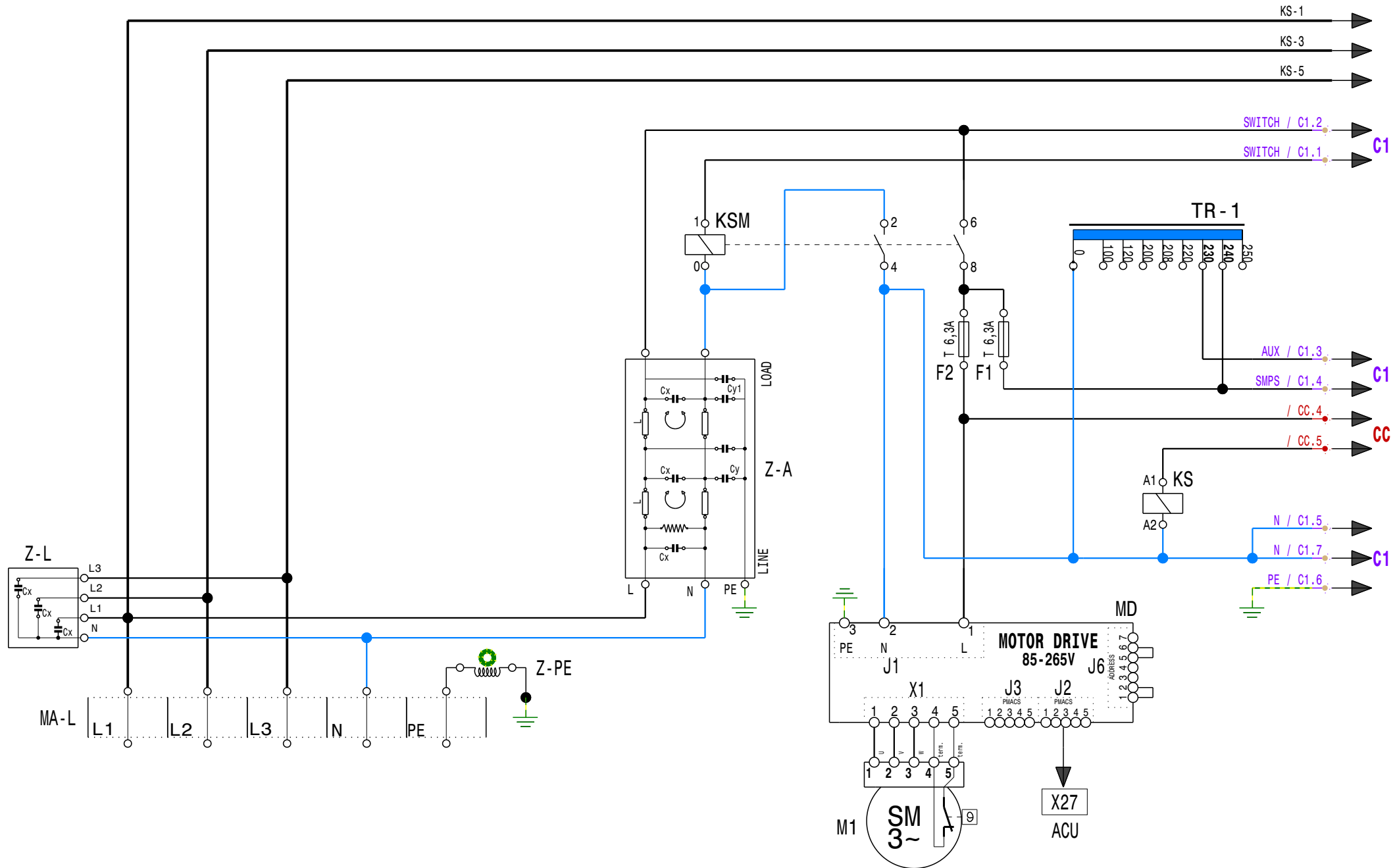
# LOGIC DIAGRAM





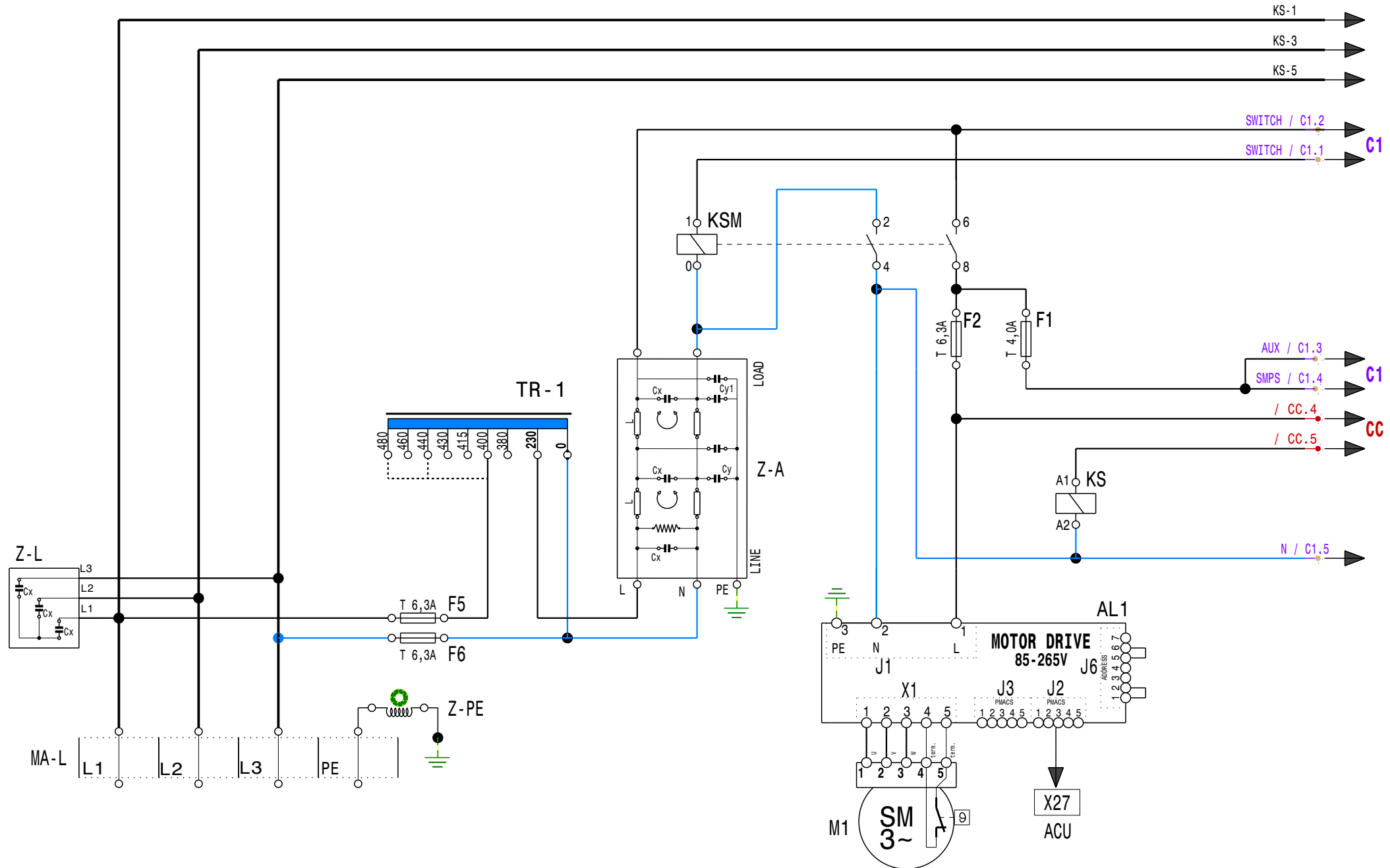
MA-L	TERMINAL BLOCK	Z-A	AUXILIARY FILTER	MD	MOTOR DRIVE	F1	AUXILIARY FUSE	-	-	-	-
Z-L	CAPACITIVE FILTER	KSM	ON/OFF RELAY	M1	MOTOR	F2	MOTOR DRIVE FUSE	-	-	-	-
Z-PE	GROUND FILTER	KS	SAFETY CONTACTOR	-	-	-	-	-	-	-	-

COD 602402F06 ELECTRIC DIAGRAM 6/10 "ELT" 380-480V CKM From S/N :

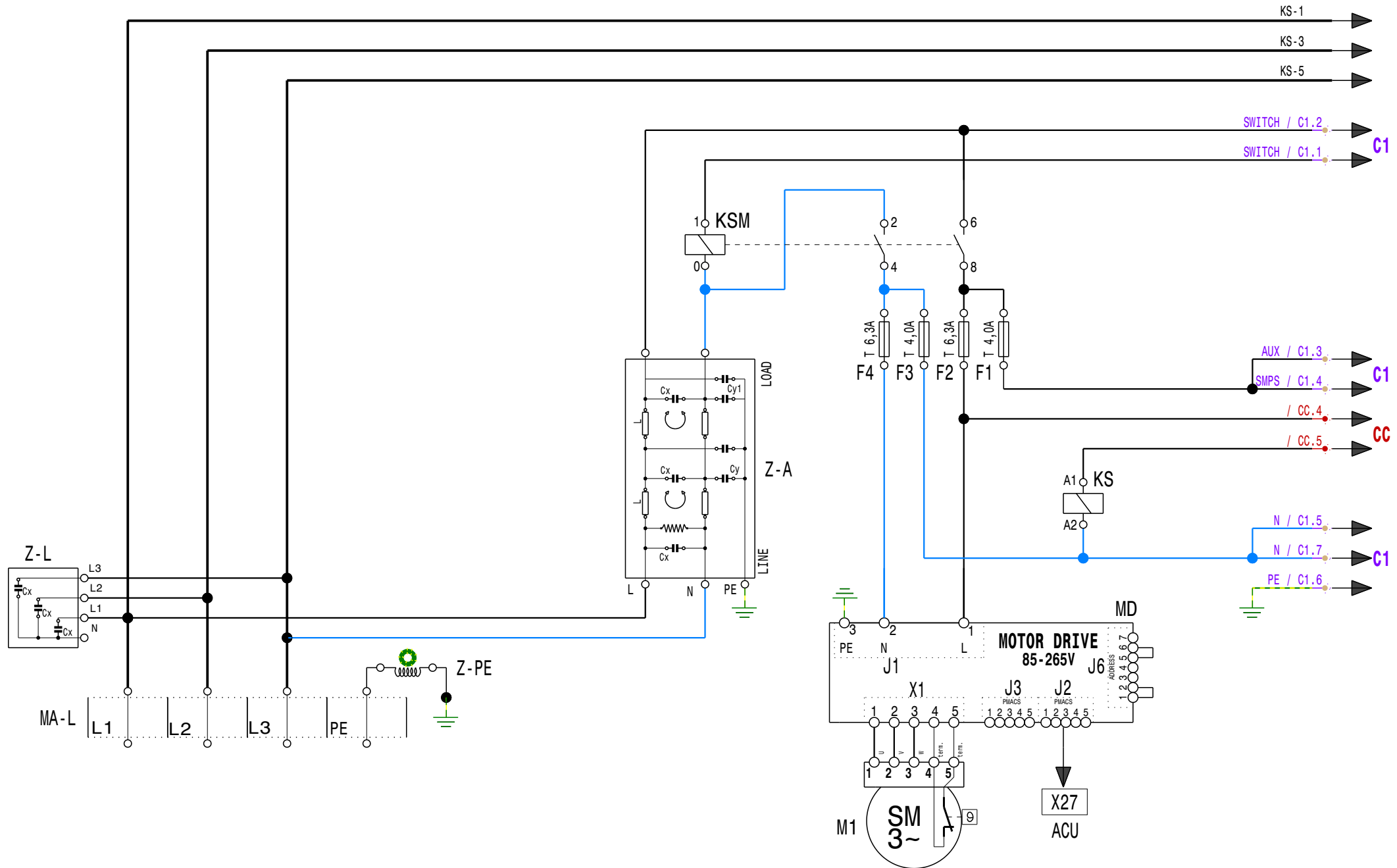


<b>MA-L</b> TERMINAL BLOCK	<b>Z-A</b> AUXILIARY FILTER	<b>MD</b> MOTOR DRIVE	<b>F1</b> AUXILIARY FUSE	<b>TR-1</b> TRANSFORMER	-	-
<b>Z-L</b> CAPACITIVE FILTER	<b>KSM</b> ON/OFF RELAY	<b>M1</b> MOTOR	<b>F2</b> MOTOR DRIVE FUSE	-	-	-
<b>Z-PE</b> GROUND FILTER	<b>KS</b> SAFETY CONTACTOR	-	-	-	-	-

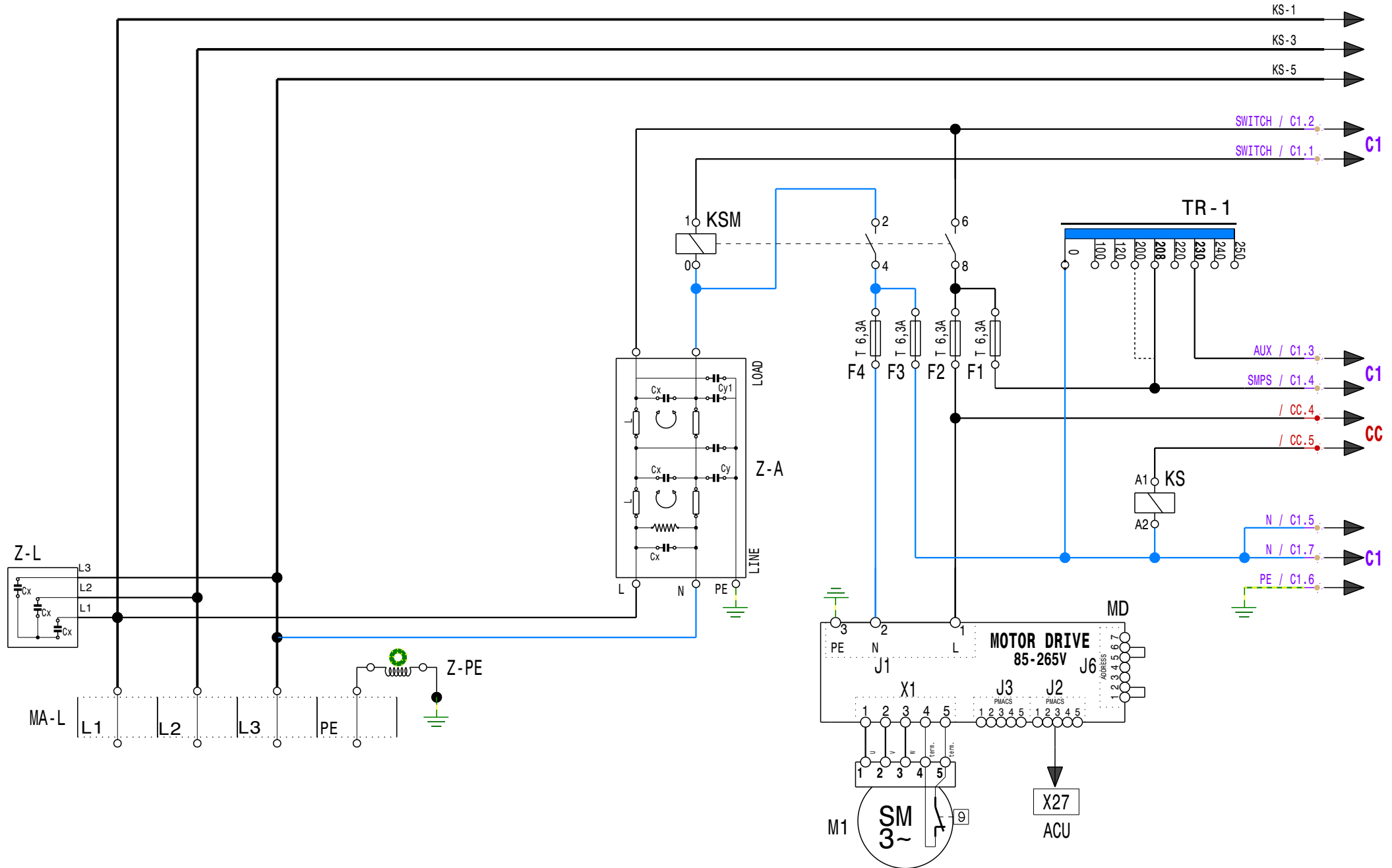
COD 602402F06 | ELECTRIC DIAGRAM 6/10 "ELT" 380-480V CKM | From S/N :



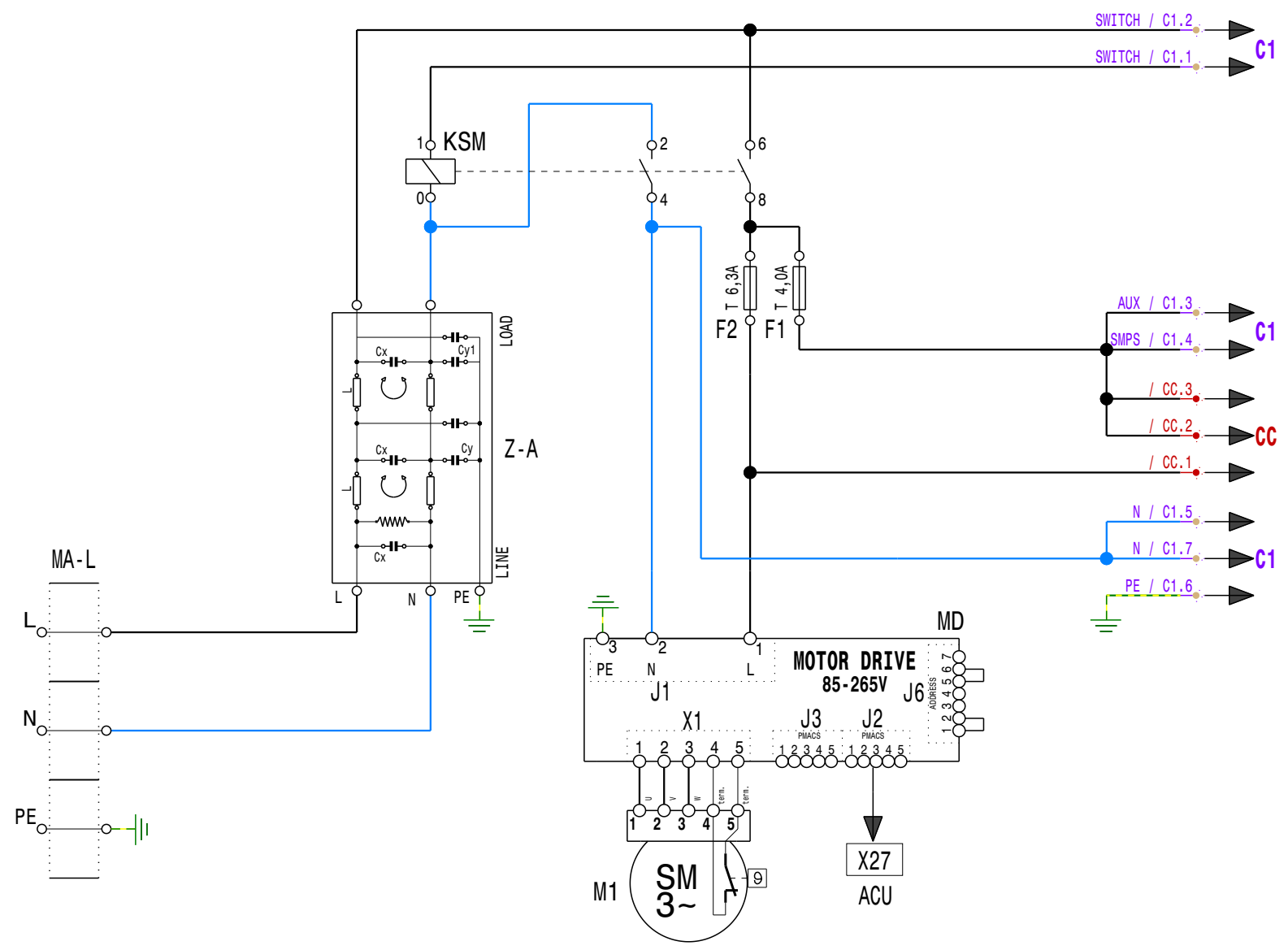
MA-L	TERMINAL BLOCK	Z-A	AUXILIARY FILTER	MD	MOTOR DRIVE	F1	AUXILIARY FUSE	F5	TRANSFORMER FUSE	TR-1	TRANSFORMER
Z-L	CAPACITIVE FILTER	KSM	ON/OFF RELAY	M1	MOTOR	F2	MOTOR DRIVE FUSE	F6	TRANSFORMER FUSE	-	-
Z-PE	GROUND FILTER	KS	SAFETY CONTACTOR	-	-	COD 602402F06 ELECTRIC DIAGRAM 6/10 "ELT" 380-480V CKM				From S/N :	



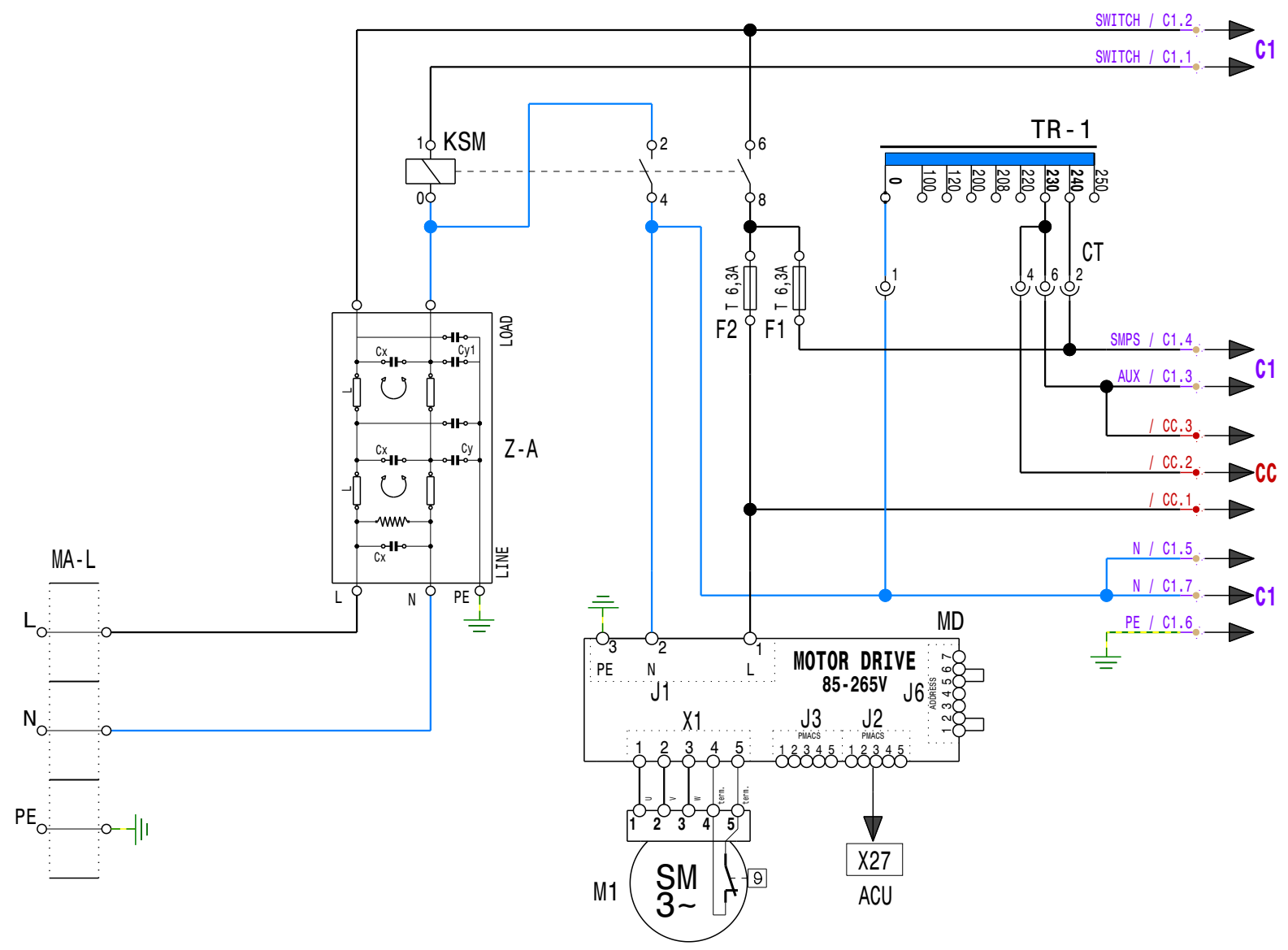
MA-L	TERMINAL BLOCK	Z-A	AUXILIARY FILTER	MD	MOTOR DRIVE	F1-F3	AUXILIARY FUSE	-	-	-	-
Z-L	CAPACITIVE FILTER	KSM	ON/OFF RELAY	M1	MOTOR	F2-F4	MOTOR DRIVE FUSE	-	-	-	-
Z-PE	GROUND FILTER	KS	SAFETY CONTACTOR	-	-	-	-	-	-	-	-



MA-L	TERMINAL BLOCK	Z-A	AUXILIARY FILTER	MD	MOTOR DRIVE	F1-F3	AUXILIARY FUSE	-	-	-	-
-	-	KSM	ON/OFF RELAY	M1	MOTOR	F2-F4	MOTOR DRIVE FUSE	-	-	-	-
-	-	KS	SAFETY CONTACTOR	-	-	COD 602402F06 ELECTRIC DIAGRAM 6/10 "ELT" 380-480V CKM				From S/N :	

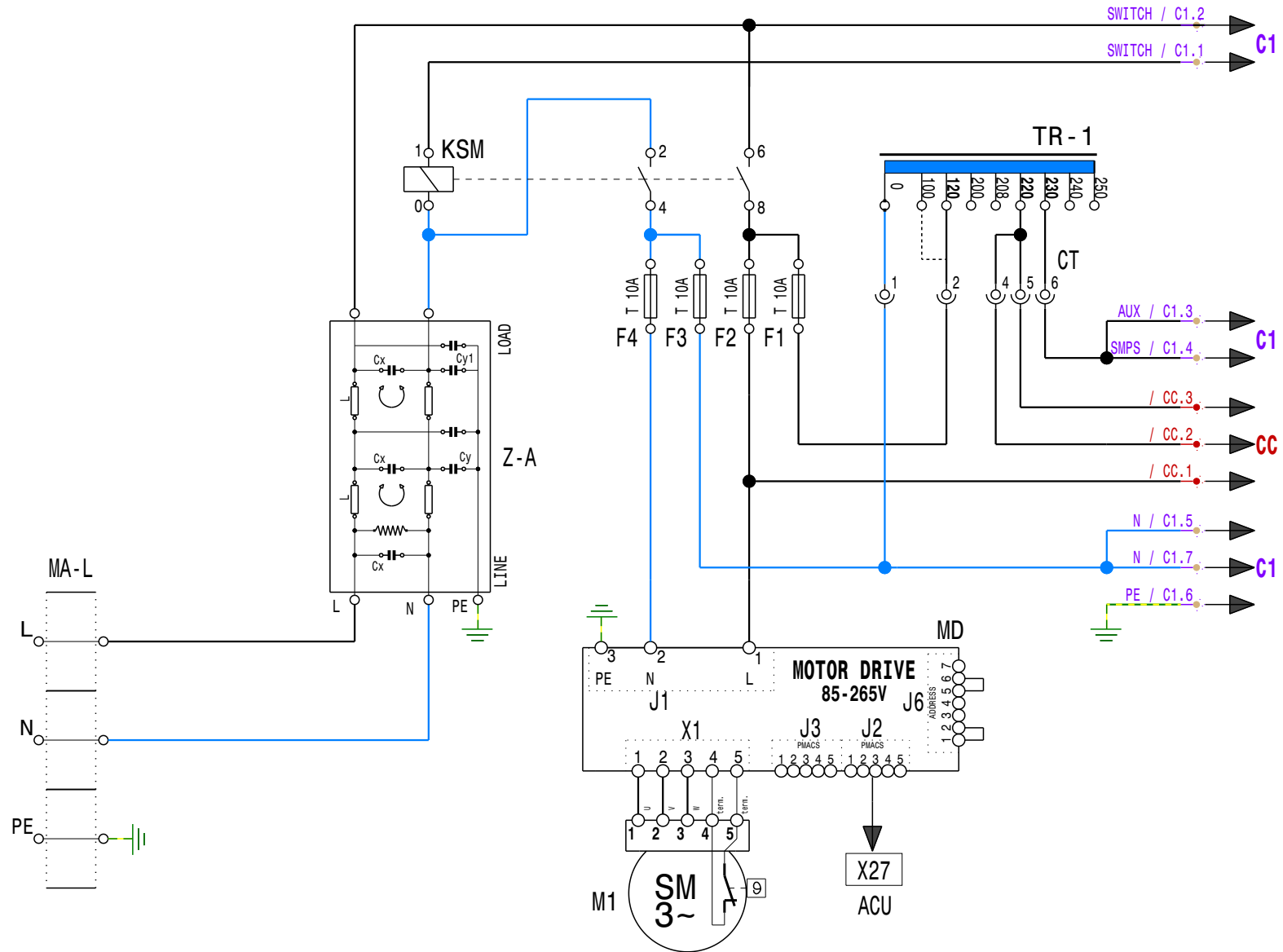


MA-L	TERMINAL BLOCK	Z-A	AUXILIARY FILTER	MD	MOTOR DRIVE	F1	AUXILIARY FUSE	-	-	-	-
-	-	KSM	ON/OFF RELAY	M1	MOTOR	F2	MOTOR DRIVE FUSE	-	-	-	-
-	-	-	-	-	-	-	-	COD 602402F06 ELECTRIC DIAGRAM 6/10 "ELT" 380-480V CKM			From S/N :

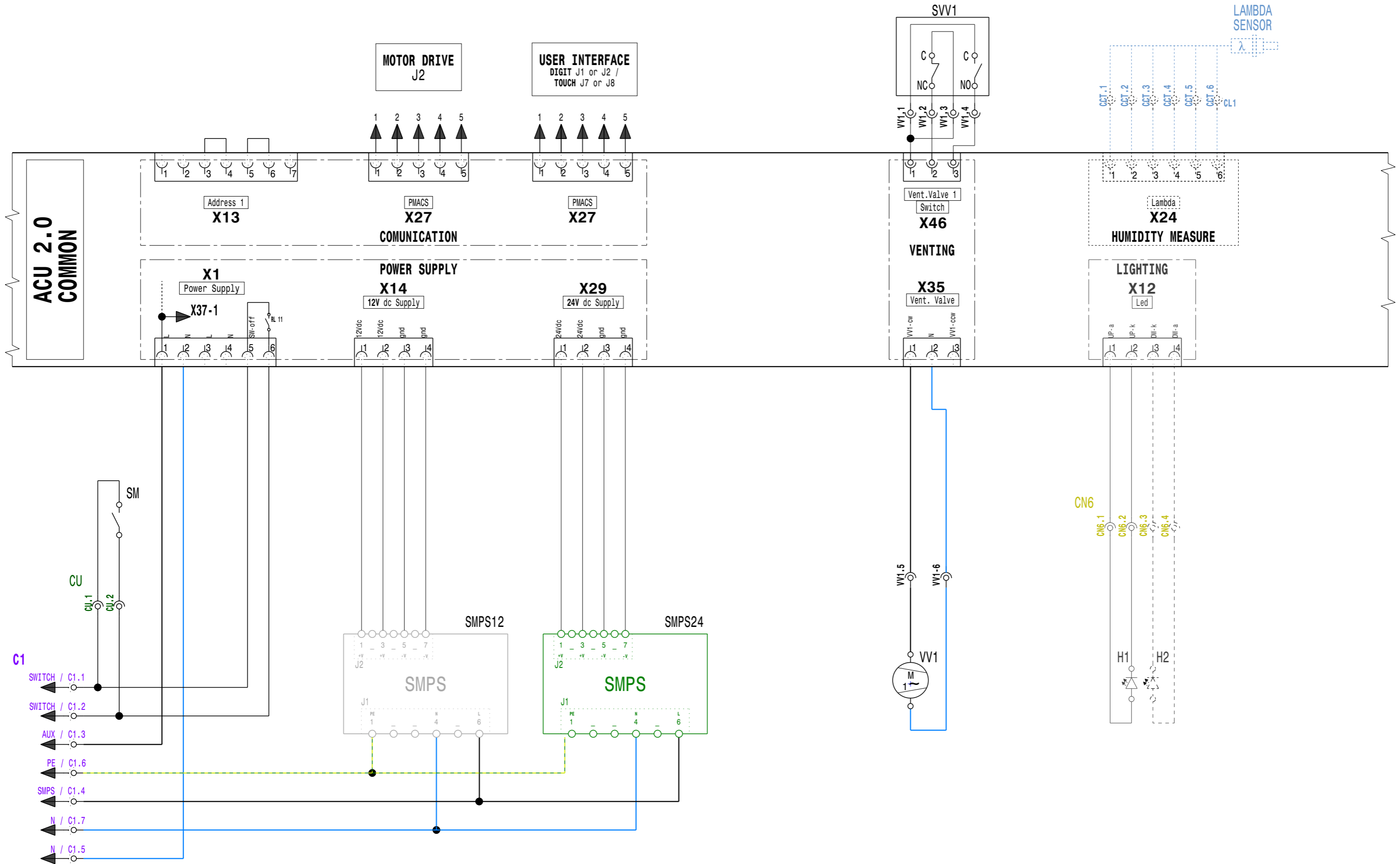


MA-L	TERMINAL BLOCK	Z-A	AUXILIARY FILTER	MD	MOTOR DRIVE	F1	AUXILIARY FUSE	TR-1	TRANSFORMER	-	-
-	-	KSM	ON/OFF RELAY	M1	MOTOR	F2	MOTOR DRIVE FUSE	-	-	-	-
-	-	-	-	-	-	-	-	COD 602402F06 ELECTRIC DIAGRAM 6/10 "ELT" 380-480V CKM		From S/N :	

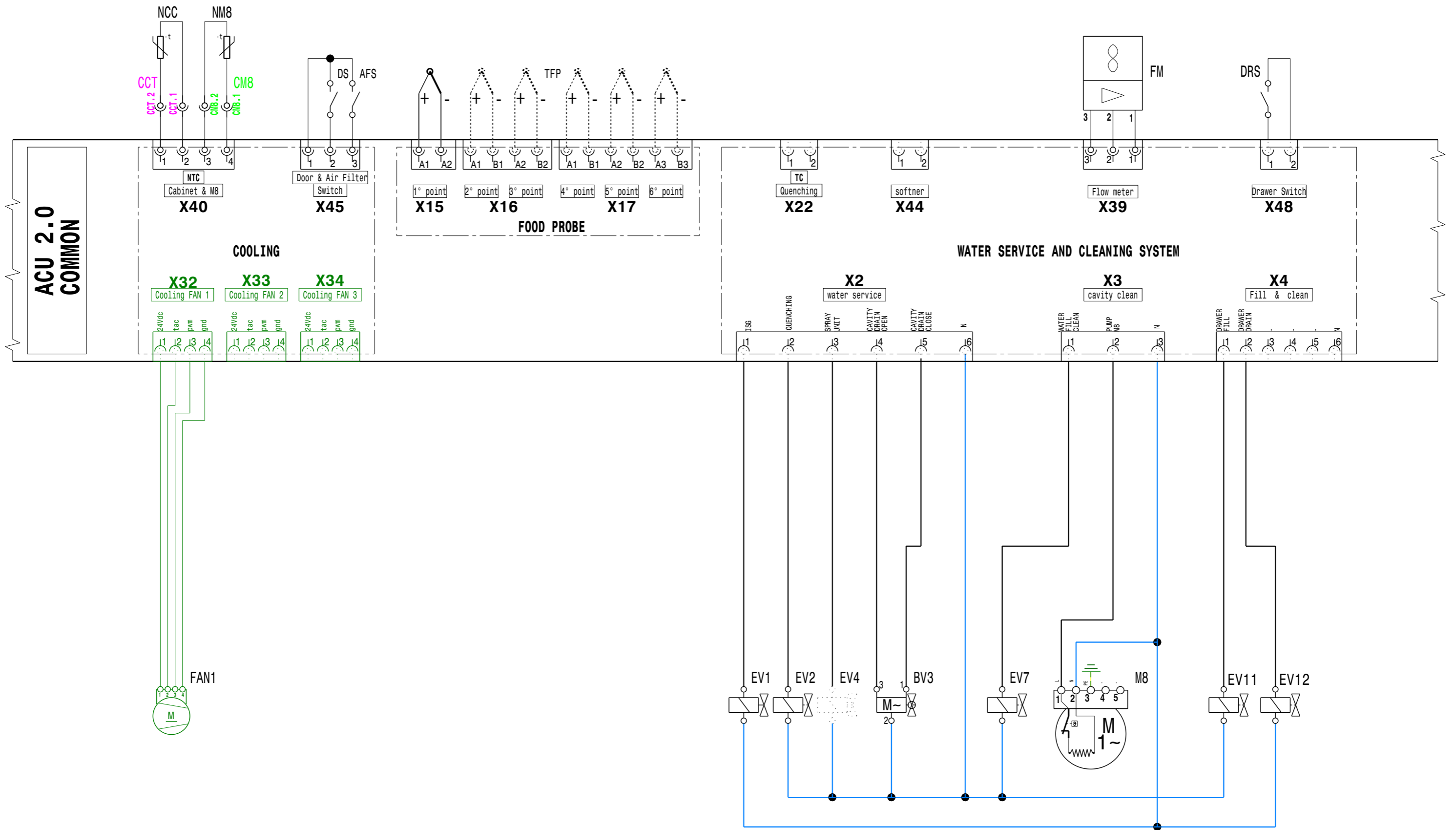
# ELECTRICAL SUPPLY 100/120V - 1 - 50/60Hz JAP/USA "GAS"



MA-L	TERMINAL BLOCK	Z-A	AUXILIARY FILTER	MD	MOTOR DRIVE	F1-F3	AUXILIARY FUSE	TR-1	TRANSFORMER	-	-
-	-	KSM	ON/OFF RELAY	M1	MOTOR	F2-F4	MOTOR DRIVE FUSE	-	-	-	-
-	-	-	-	-	-	-	-	COD 602402F06 ELECTRIC DIAGRAM 6/10 "ELT" 380-480V CKM			From S/N :

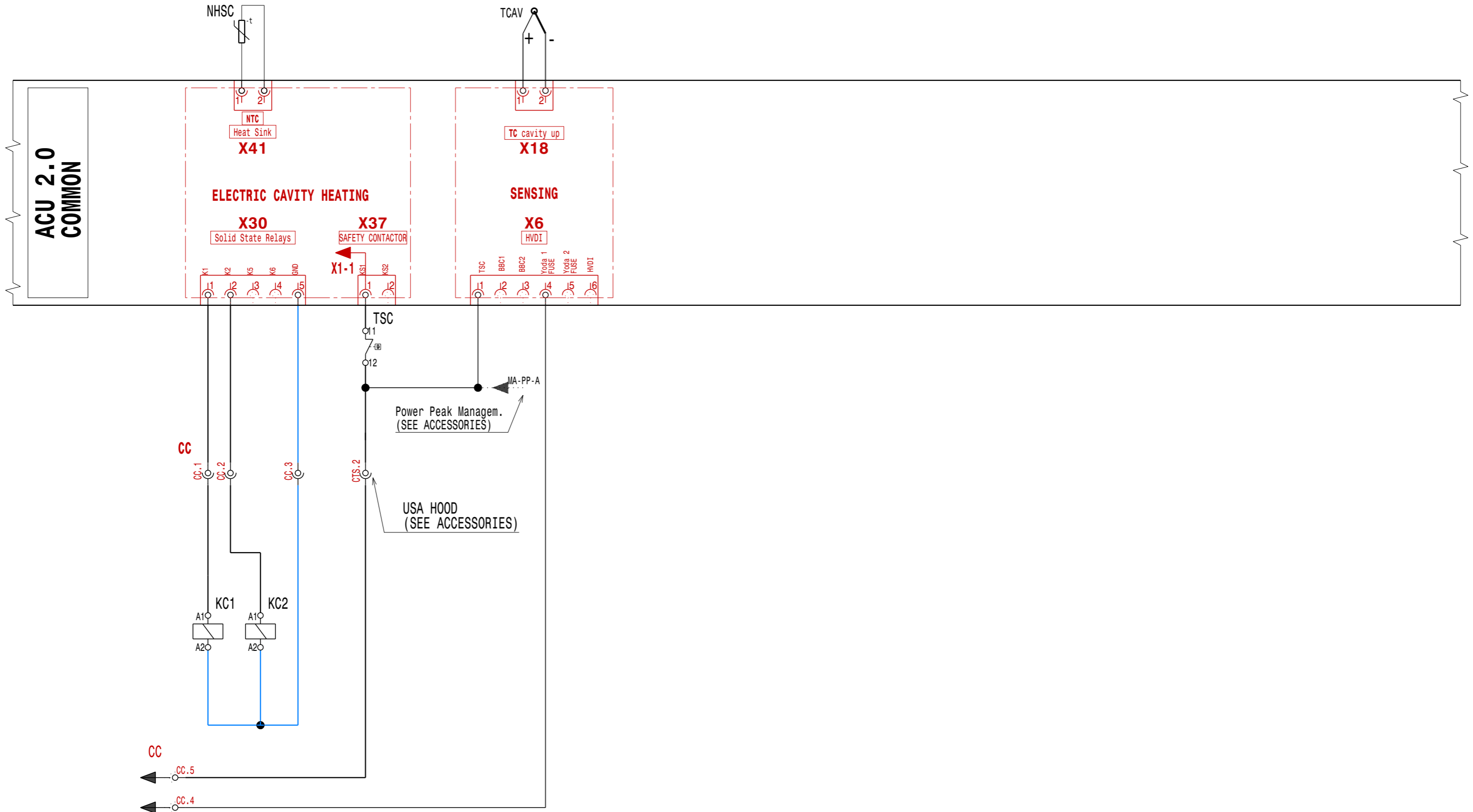


SM	MAIN SWITCH	-	-	SMPS12	SMPS 12V	VV1	VENTING VALVE 1	H1	LED LIGHTING 1	-	-
-	-	-	-	SMPS24	SMPS 24V	SVV1	VENTING VALVE SWITCHES	H2	LED LIGHTING 2	-	-
-	-	-	-	-	-	-	-	-	-	COD 602402F06 ELECTRIC DIAGRAM 6/10 "ELT" 380-480V CKM	
										From S/N :	



<b>FAN1</b>	COOLING FAN	<b>DS</b>	DOOR SWITCH	<b>TFP</b>	FOOD PROBE TEMPERATURE	<b>FM</b>	FLOW METER	<b>DRS</b>	DRAWER SWITCH
<b>NCC</b>	NTC CABINET COMPONENTS	<b>AFS</b>	AIR FILTER SWITCH	<b>EV1</b>	INSTANT STEAM SOLENOID VALVE	<b>EV7</b>	CLEANING WATER FILL S. VALVE	<b>EV11</b>	DRAWER FILL S. VALVE
<b>NM8</b>	NTC PUMP M8	-	-	<b>EV2</b>	QUENCHING SOL.VALVE	<b>M8</b>	CLEANING PUMP	<b>EV12</b>	DRAWER DRAIN S. VALVE
-	-	-	-	<b>BV3</b>	CAVITY DRAIN BALL VALVE	COD 602402F06 ELECTRIC DIAGRAM 6/10 "ELT" 380-480V CKM		From S/N :	

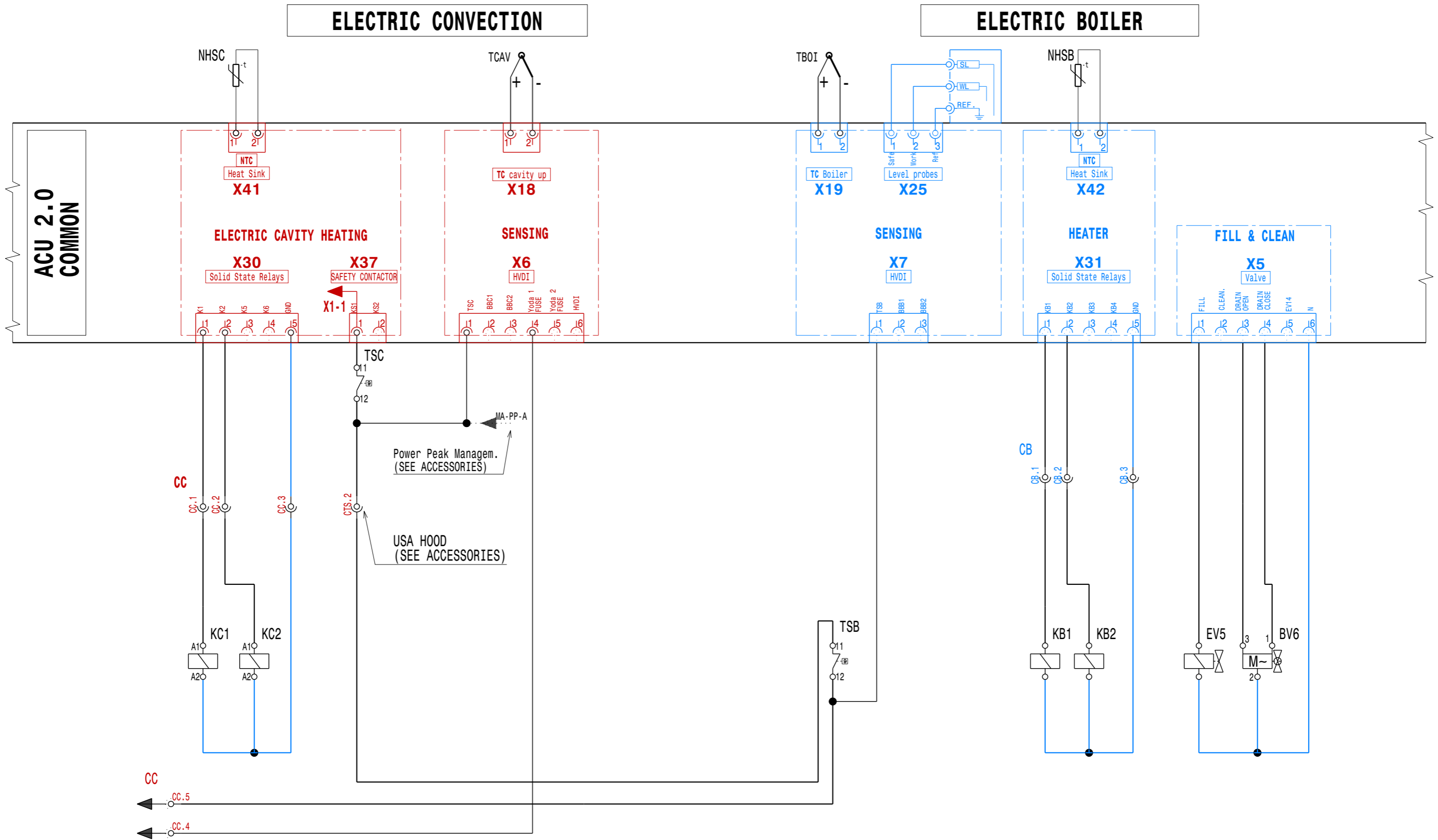
## ELECTRIC CONVECTION



-	-	KC1	CAVITY SOLID STATE RELAY 1	NHSC	NTC CAVITY SSR HEAT SINK	-	-	-	-
-	-	KC2	CAVITY SOLID STATE RELAY 2	TCAV	CAVITY THERMOCOUPLE	-	-	-	-
-	-	TSC	CAVITY SAFETY THERMOSTAT	-	-	-	-	-	-
						COD 602402F06		ELECTRIC DIAGRAM 6/10 "ELT" 380-480V CKM	
									From S/N :

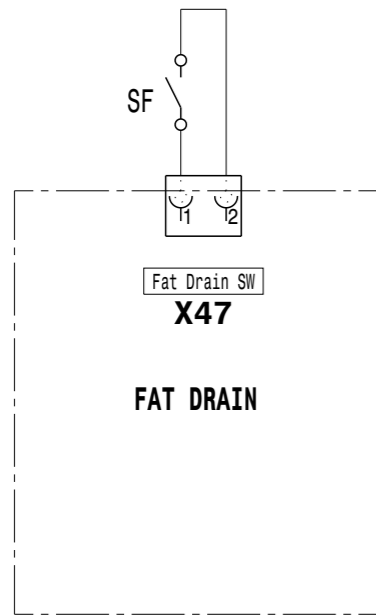
# BOILER

# "ELECTRIC"

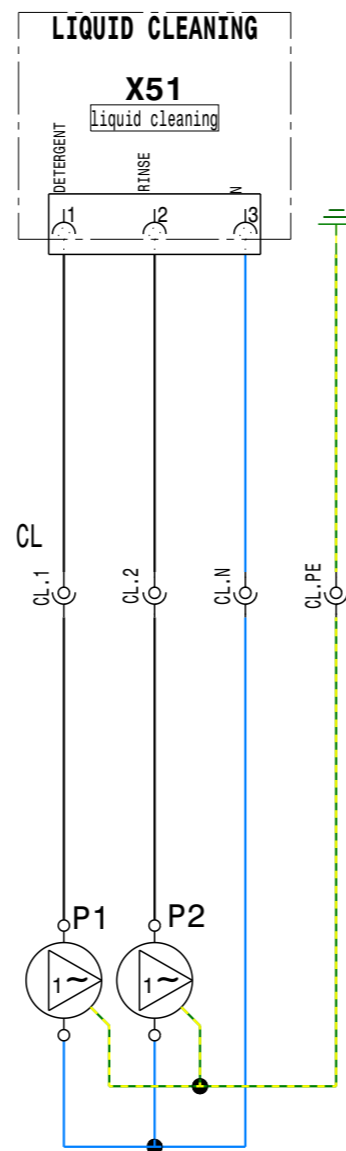


<b>KC1</b>	CAVITY SOLID STATE RELAY 1	<b>NHSC</b>	NTC CAVITY SSR HEAT SINK	<b>EV5</b>	BOILER FILL SOLENOID VALVE	<b>KB1</b>	BOILER SOLID STATE RELAY 1	<b>NHSB</b>	NTC BOILER SSR HEAT SINK
<b>KC2</b>	CAVITY SOLID STATE RELAY 2	<b>TCAV</b>	CAVITY THERMOCOUPLE	<b>BV6</b>	BOILER DRAIN BALL VALVE	<b>KB2</b>	BOILER SOLID STATE RELAY 2	<b>TBOI</b>	BOILER THERMOCOUPLE
<b>TSC</b>	CAVITY SAFETY THERMOSTAT							<b>TSB</b>	BOILER SAFETY THERMOSTAT

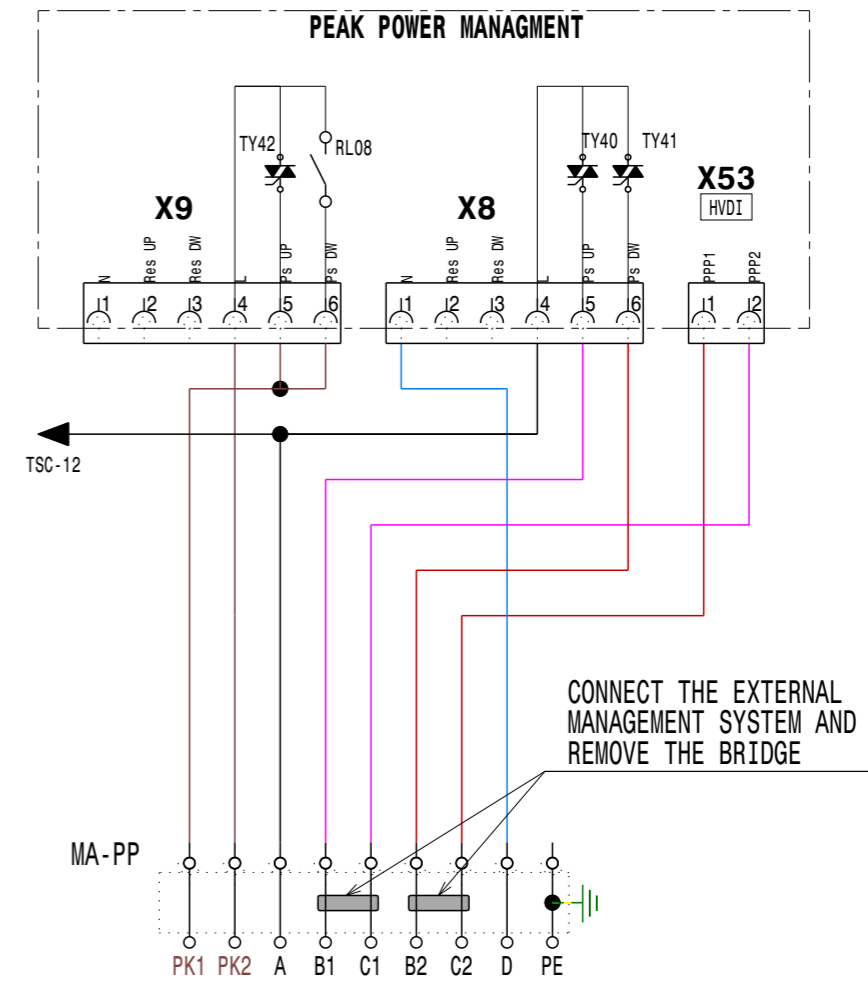
## FAT DRAIN SYSTEM



## LIQUID CLEANING



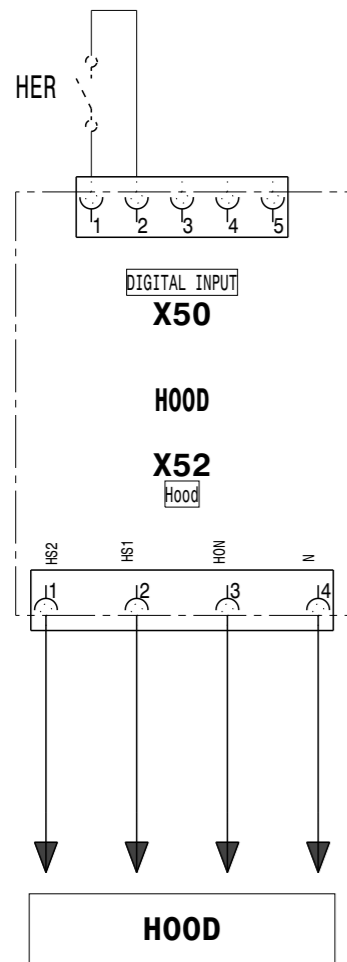
## PEAK POWER MANAGEMENT



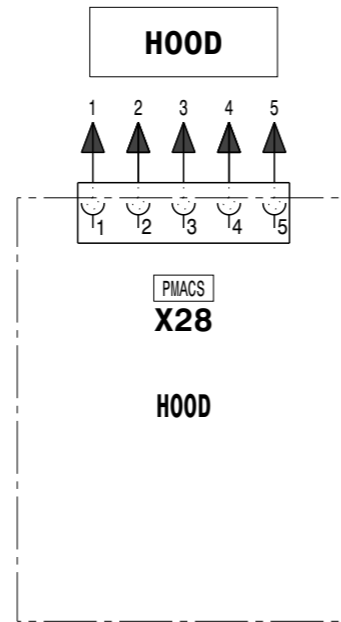
- LEGENDA**
- PK: PICK POWER CONTROL (POTENTIAL FREE CONTACT)
  - A : POWER ON (KS CLOSED)
  - B1: THERMOSTAT ON (HALF AND FULL POWER)
  - B2: THERMOSTAT ON (FULL POWER)
  - C1: RELEASE HEATING CONTACTOR (FIRST HALF POWER)
  - C2: RELEASE HEATING CONTACTOR (SECOND HALF POWER)
  - D : REFERENCE POTENTIAL (NEUTRAL)
  - PE: GROUND

SF	FAT DRAIN SWITCH	-	-	P1	RINSE PUMP	-	-	MA-PP	TERMINAL BLOCK PEAK POWER MANAGEMENT
-	-	-	-	P2	DETERGENT PUMP	-	-	TSC	CAVITY SAFETY THERMOSTAT
-	-	-	-	-	-	-	-	COD 602402F06   ELECTRIC DIAGRAM 6/10 "ELT" 380-480V CKM	
									From S/N :

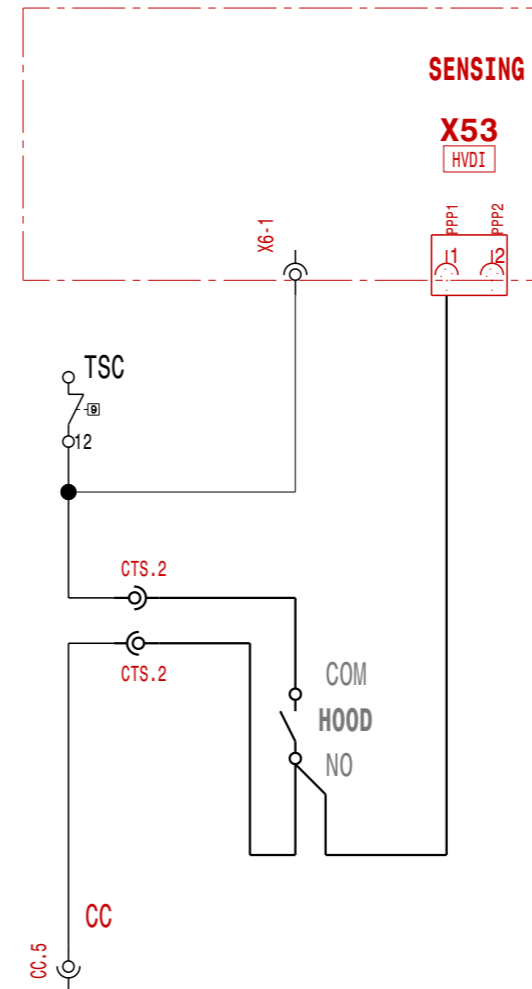
## EXTRACTION HOOD CONDENSATION HOOD



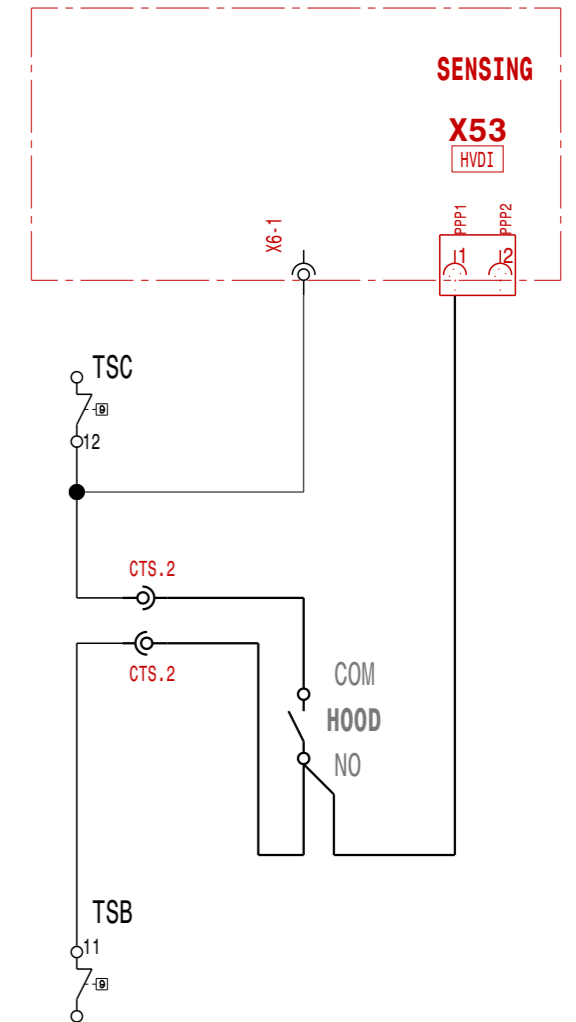
## ODOURLESS HOOD



## USA HOOD - ISG



## USA HOOD - BOILER

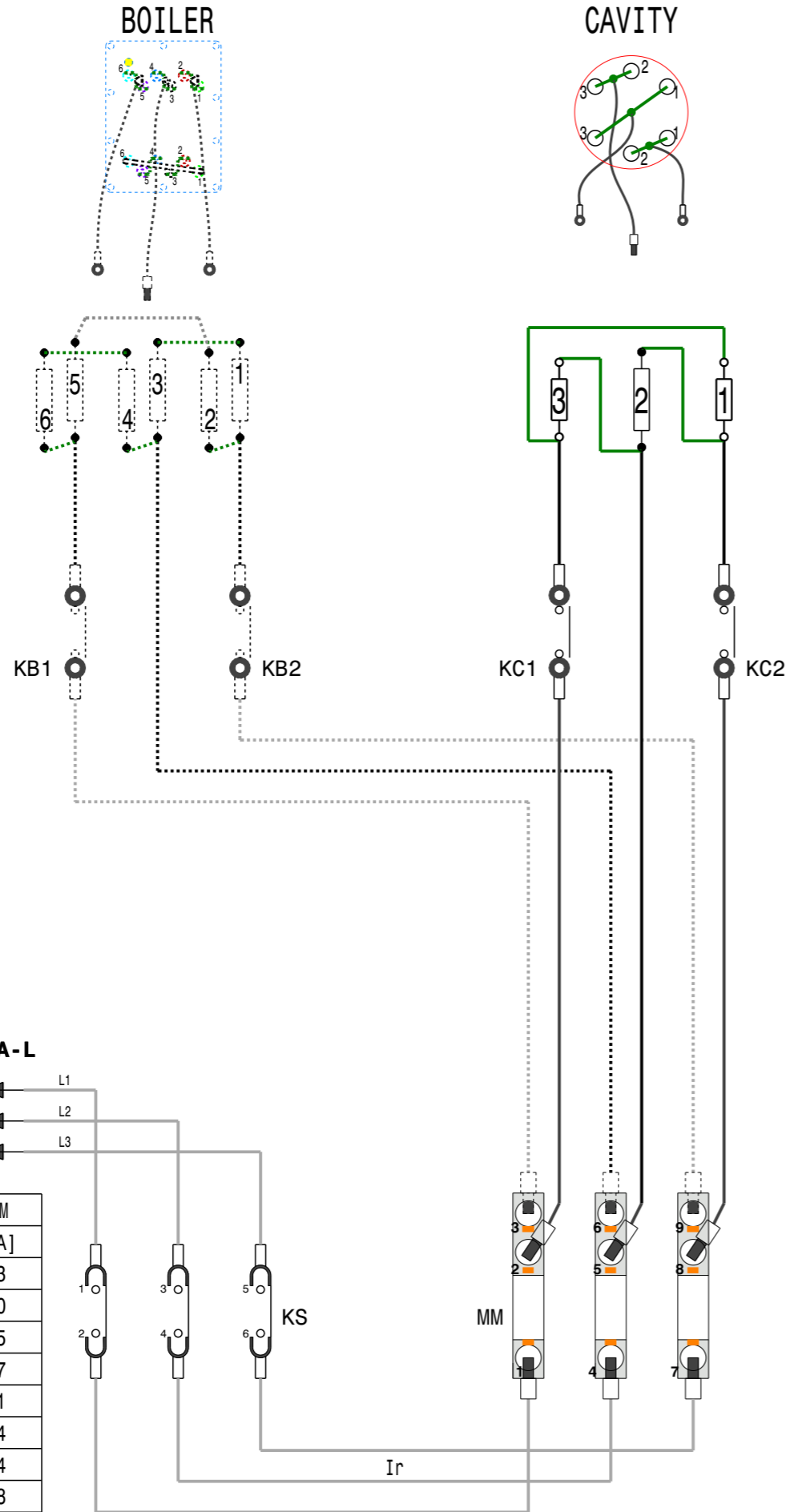


HOOD USA HOOD SWITCH

HOOD USA HOOD SWITCH

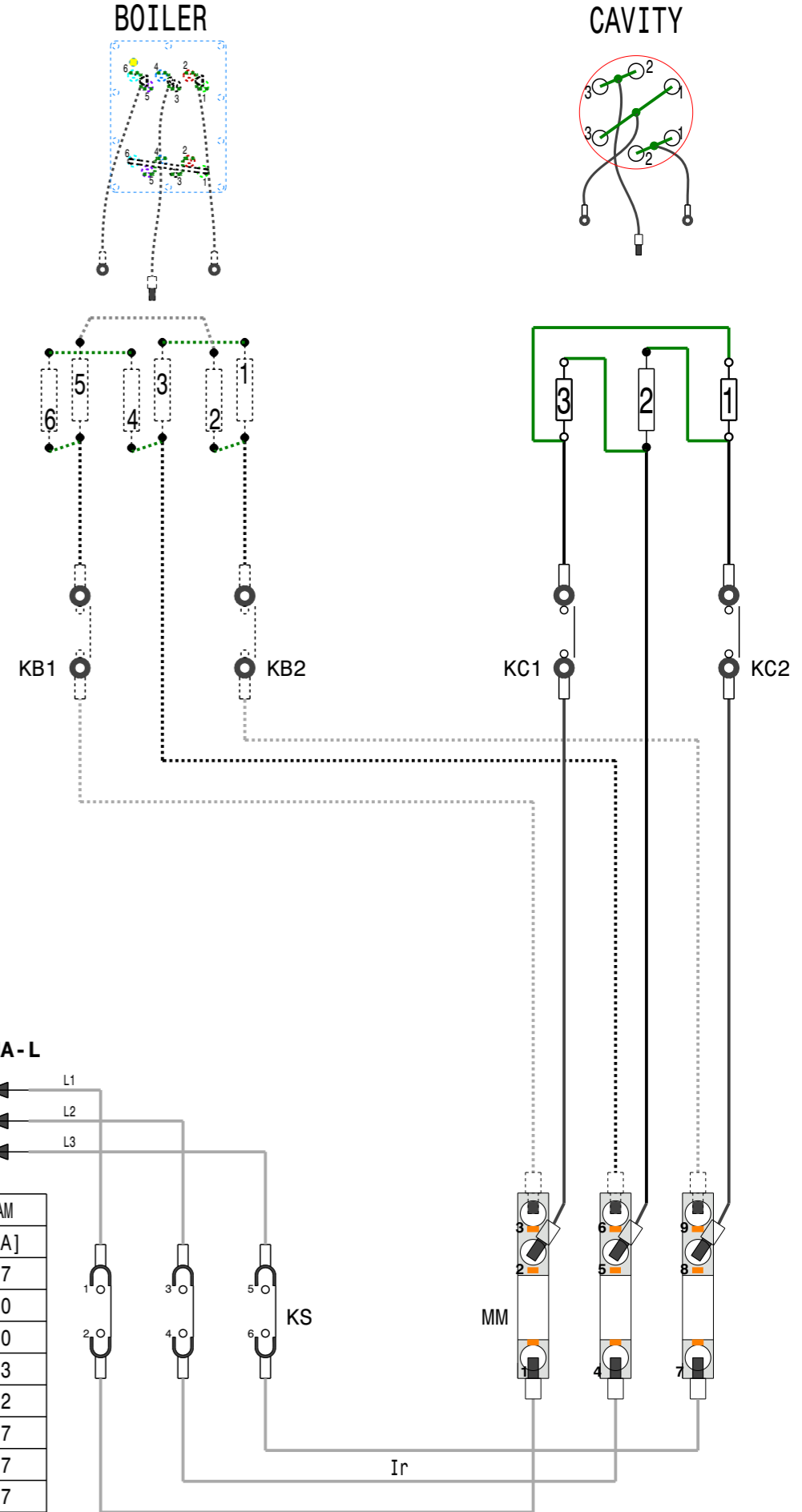
# ELECTRICAL POWER WIRING

# "ELECTRIC"



**6 1/1**  
380-480V

Rated Voltage [V]	Supply Voltage [V]	CONVECTION		STEAM	
		Ir [A]	Ir [A]	Ir [A]	Ir [A]
380-415	380	13.7	12.3		
	400	14.4	13.0		
	415	15.0	13.5		
415-440	415	13.0	11.7		
	430	13.4	12.1		
	440	13.7	12.4		
460-480	460	11.5	10.4		
	480	12.0	10.8		

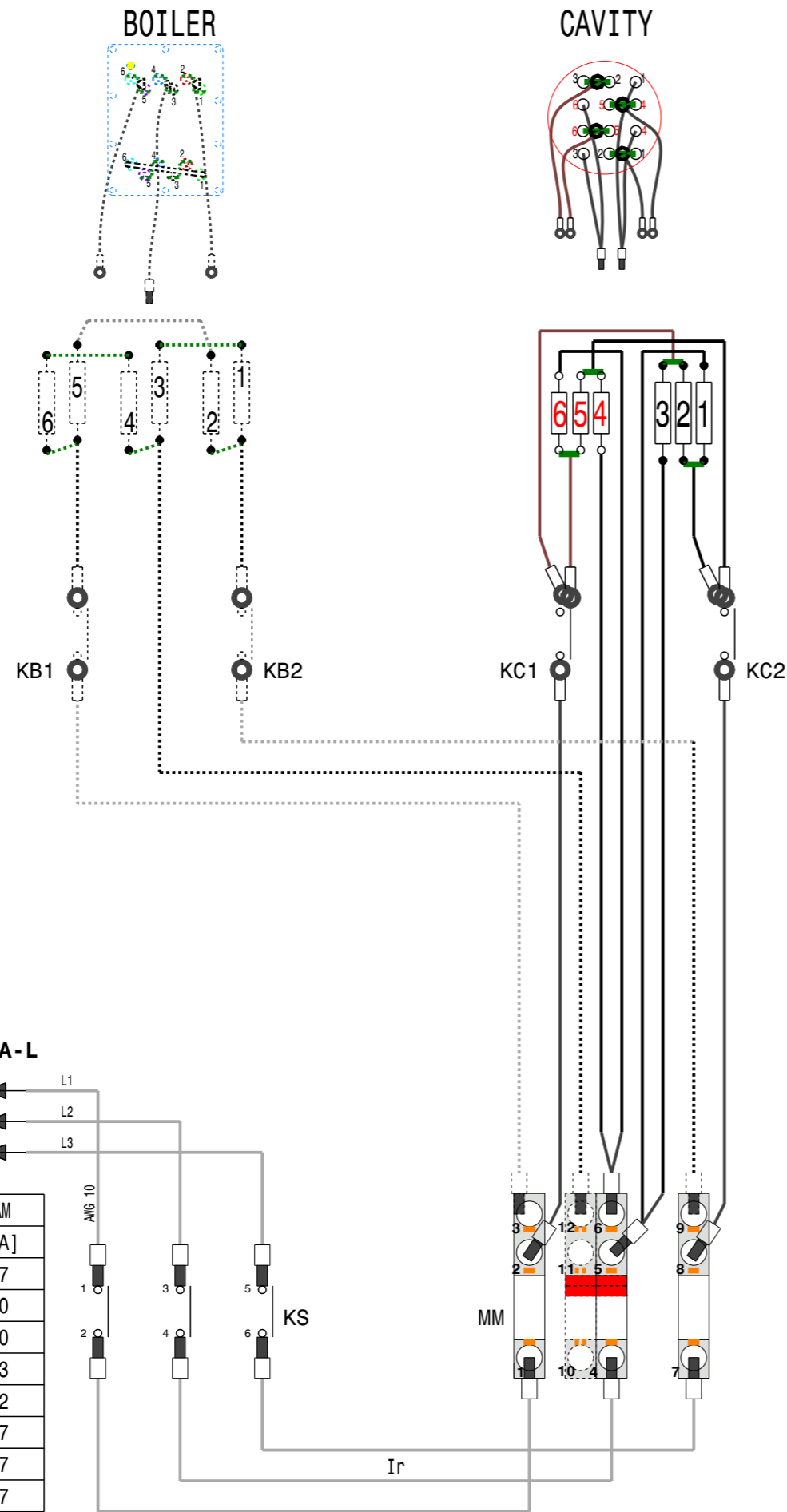


**10 1/1**  
380-480V

Rated Voltage [V]	Supply Voltage [V]	CONVECTION		STEAM	
		Ir [A]	Ir [A]	Ir [A]	Ir [A]
380-415	380	24.7	24.7		
	400	26.0	26.0		
	415	27.0	27.0		
415-440	415	23.3	23.3		
	430	24.2	24.2		
	440	24.7	24.7		
460-480	460	20.7	20.7		
	480	21.7	21.7		

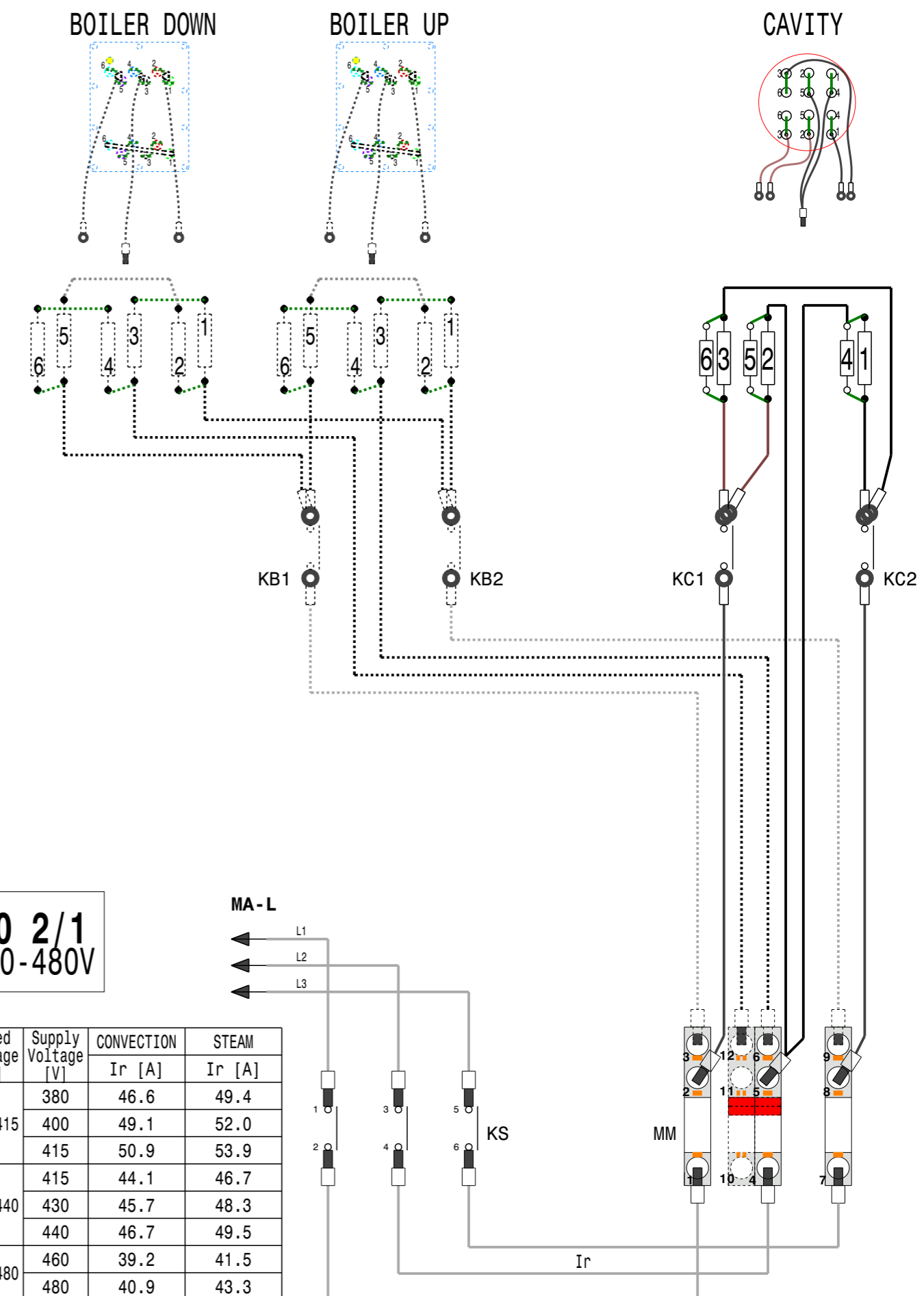
# ELECTRICAL POWER WIRING

# "ELECTRIC"



**6 2/1**  
380-480V

Rated Voltage [V]	Supply Voltage [V]	CONVECTION	STEAM
		Ir [A]	Ir [A]
380-415	380	27.4	24.7
	400	28.9	26.0
	415	30.0	27.0
415-440	415	25.9	23.3
	430	26.9	24.2
460-480	440	27.5	24.7
	460	23.1	20.7
	480	24.1	21.7

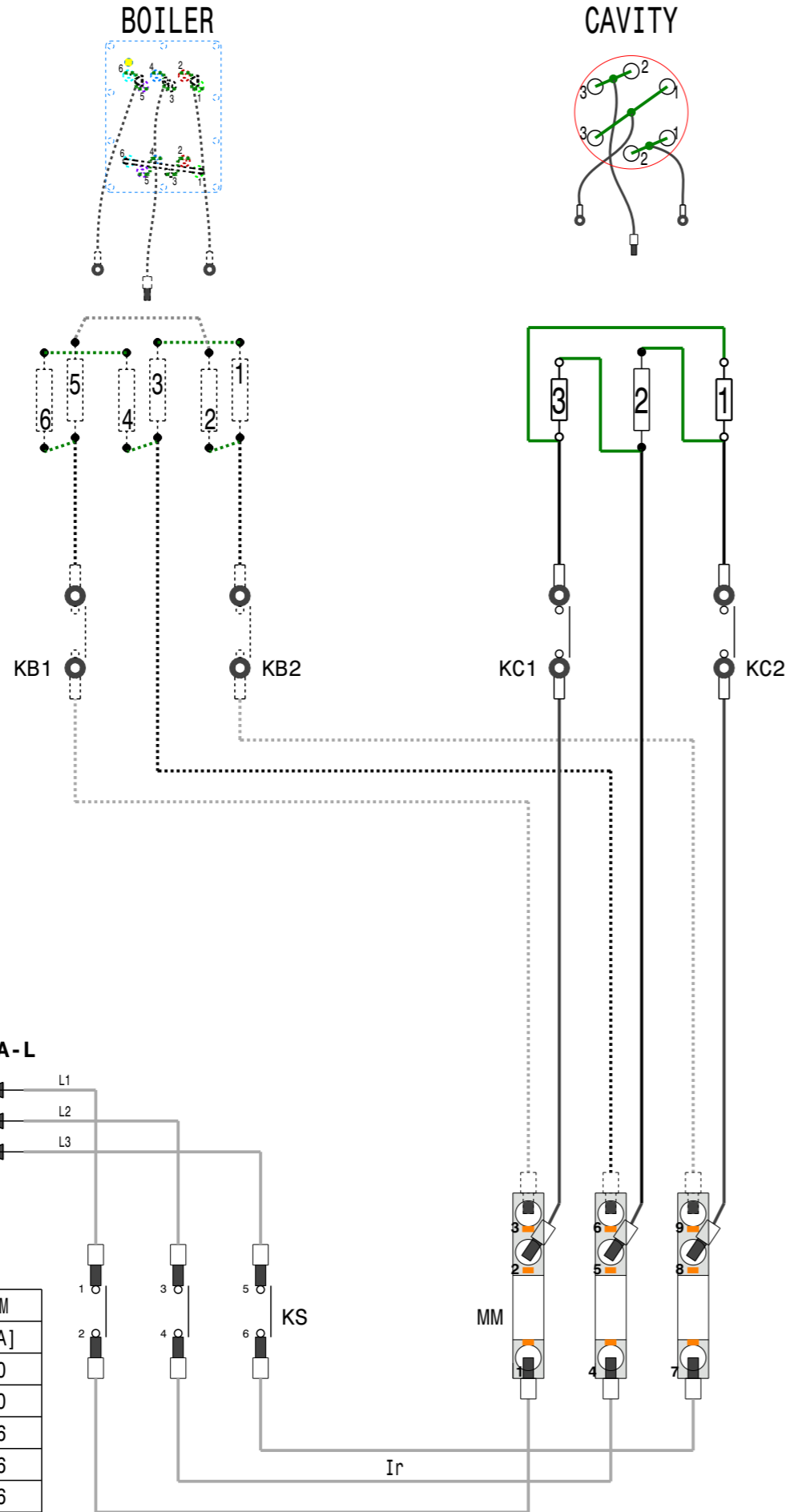


**10 2/1**  
380-480V

Rated Voltage [V]	Supply Voltage [V]	CONVECTION	STEAM
		Ir [A]	Ir [A]
380-415	380	46.6	49.4
	400	49.1	52.0
	415	50.9	53.9
415-440	415	44.1	46.7
	430	45.7	48.3
460-480	440	46.7	49.5
	460	39.2	41.5
	480	40.9	43.3

# ELECTRICAL POWER WIRING

# "ELECTRIC"

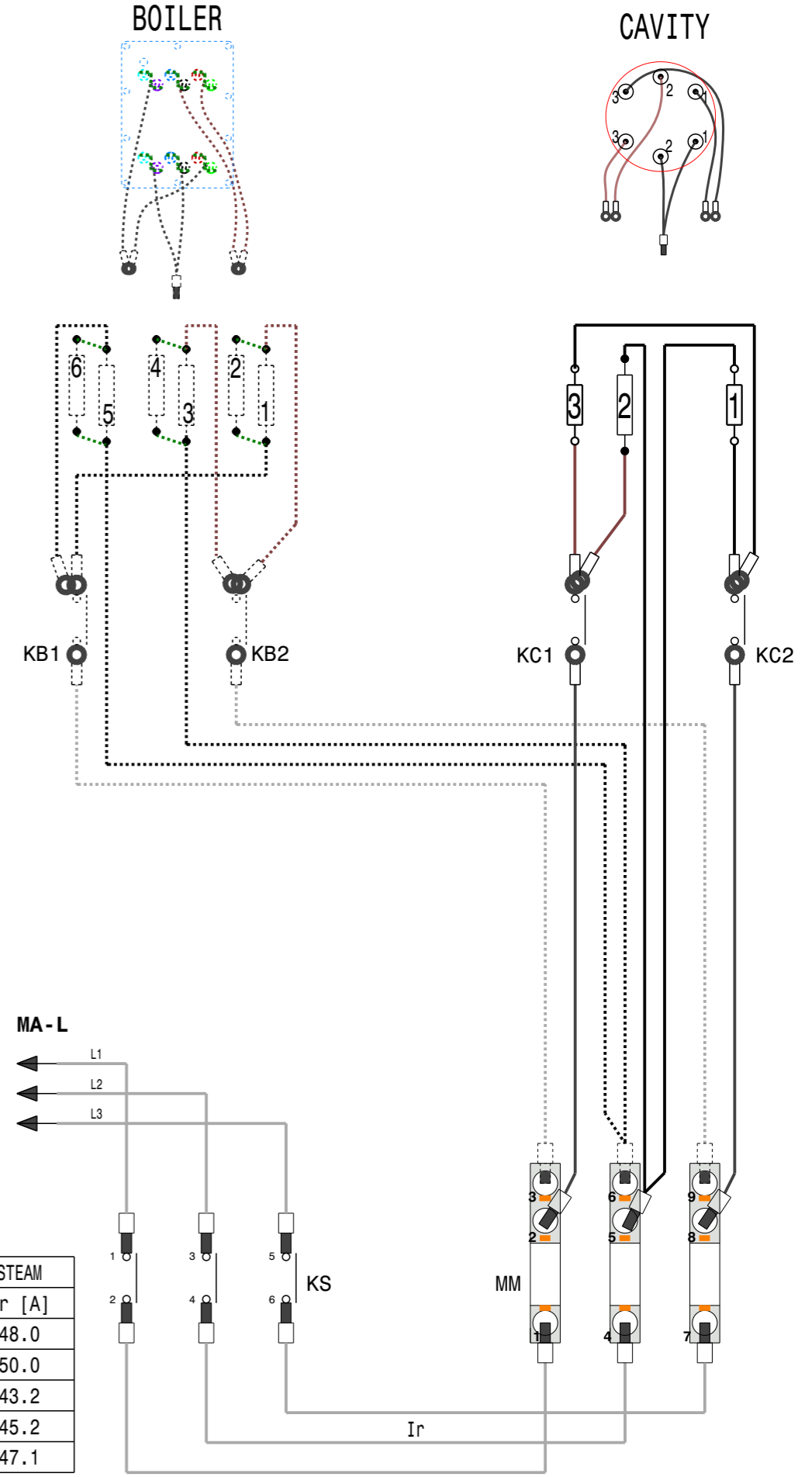


**6 1/1**  
200-240V

Rated Voltage [V]	Supply Voltage [V]	CONVECTION	STEAM
		Ir [A]	Ir [A]
200-208	200	26.7	24.0
	208	27.8	25.0
220-240	220	24.0	21.6
	230	25.1	22.6
	240	26.2	23.6

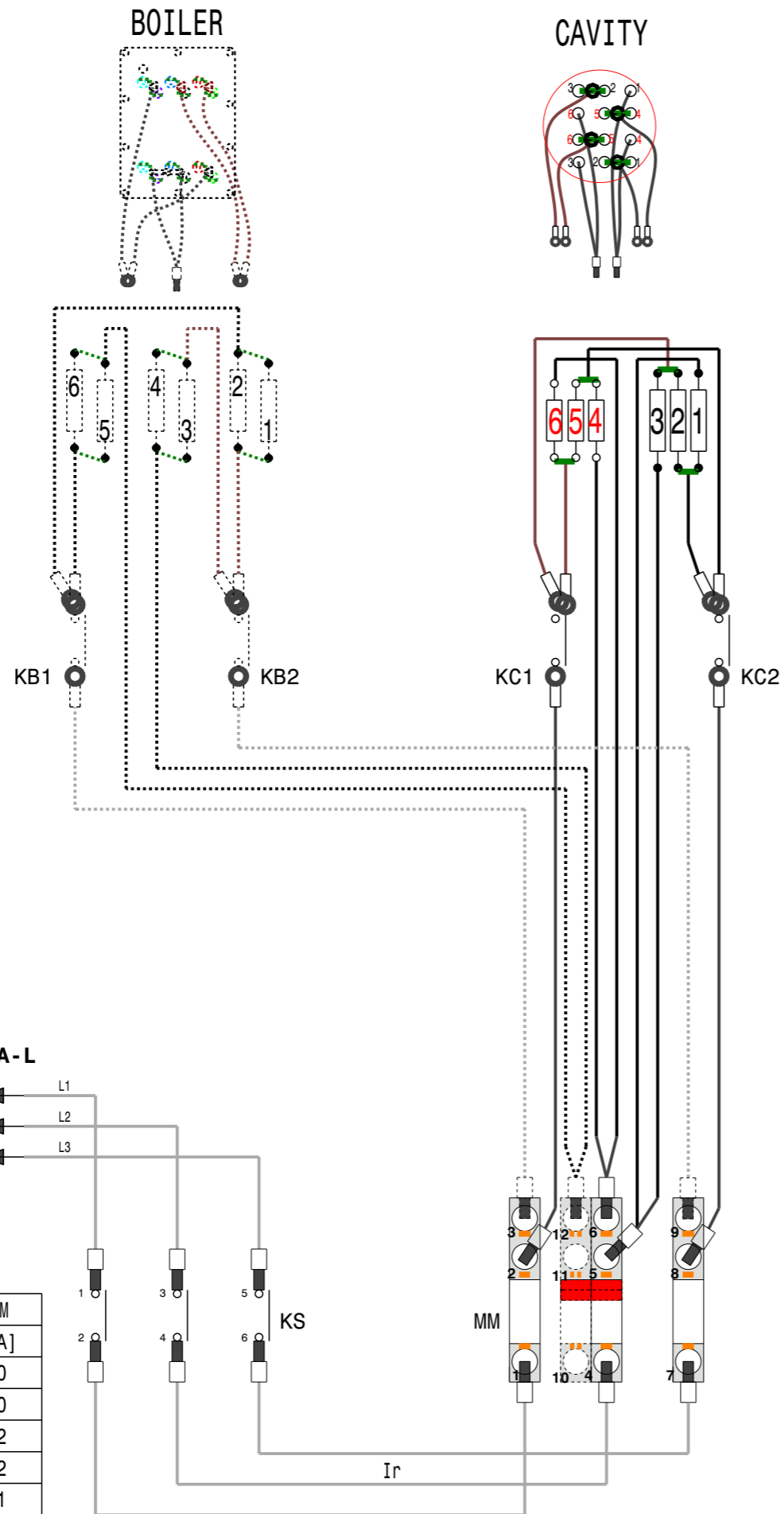
**10 1/1**  
200-240V

Rated Voltage [V]	Supply Voltage [V]	CONVECTION	STEAM
		Ir [A]	Ir [A]
200-208	200	48.0	48.0
	208	50.0	50.0
220-240	220	43.2	43.2
	230	45.2	45.2
	240	47.1	47.1



# ELECTRICAL POWER WIRING

# "ELECTRIC"



**6 2/1**  
200-240V

Rated Voltage [V]	Supply Voltage [V]	CONVECTION	STEAM
		Ir [A]	Ir [A]
200-208	200	53.4	48.0
	208	55.5	50.0
220-240	220	48.0	43.2
	230	50.2	45.2
	240	52.4	47.1

# ELECTRICAL POWER WIRING

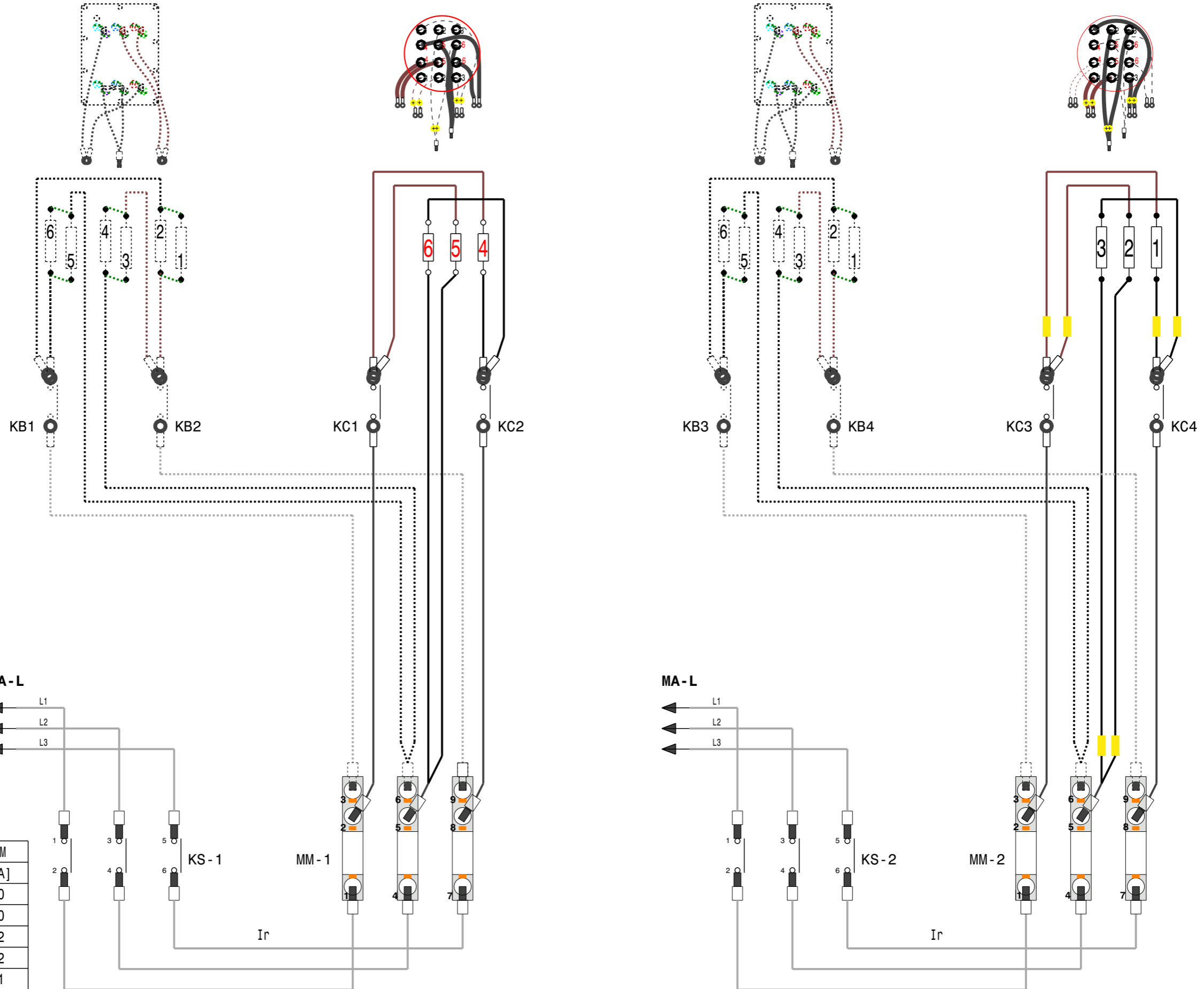
# "ELECTRIC"

BOILER UP

CAVITY

BOILER DOWN

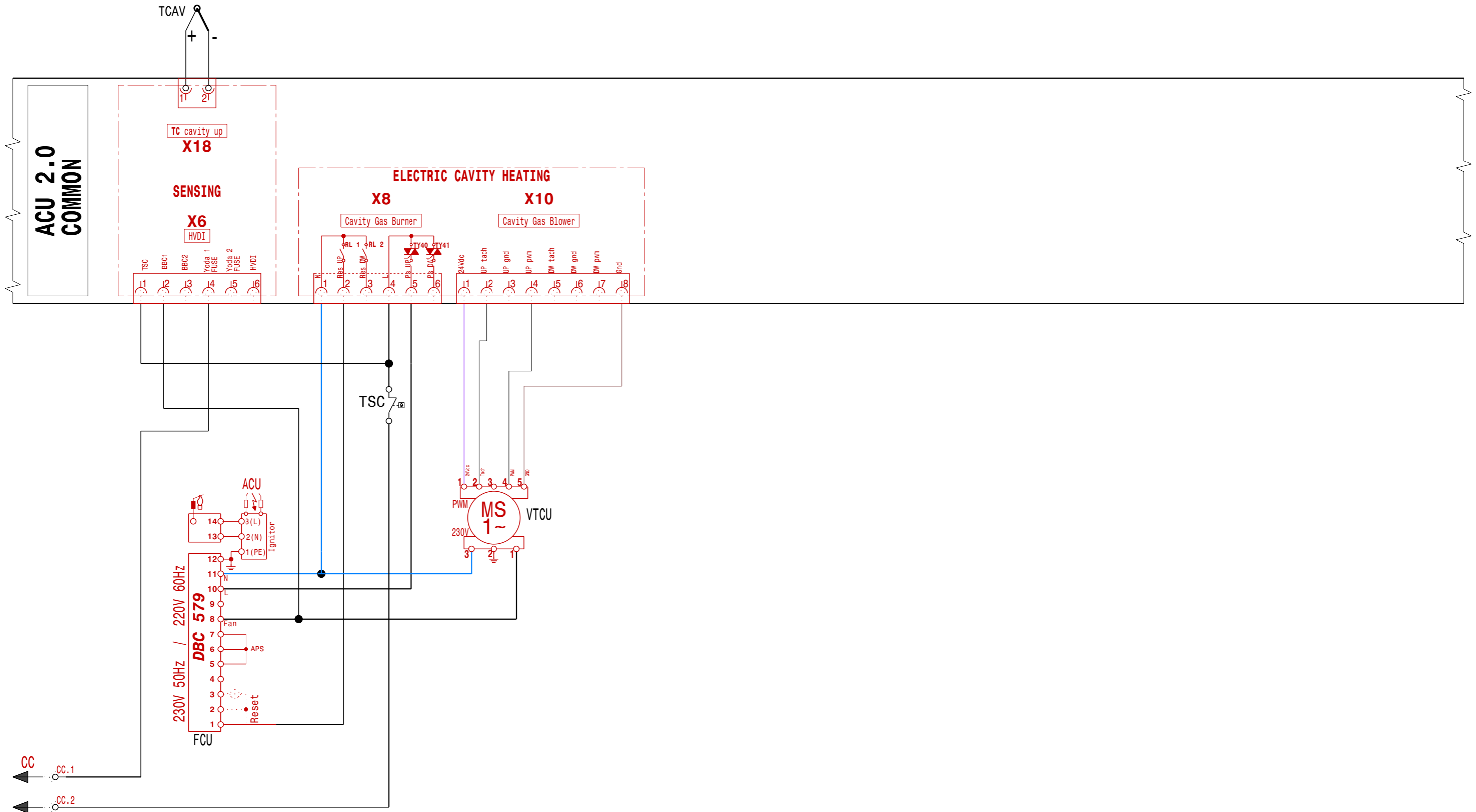
CAVITY



10 2/1  
200-240V

Rated Voltage [V]	Supply Voltage [V]	CONVECTION	STEAM
		Ir [A]	Ir [A]
200-208	200	45.4	48.0
	208	47.2	50.0
220-240	220	40.8	43.2
	230	42.7	45.2
	240	44.5	47.1

## GAS CONVECTIONS



-	-	<b>FCU</b>	CAVITY FLAME CONTROL UNIT
-	-	<b>ACCU</b>	CAVITY IGNITOR
-	-	<b>TSC</b>	CAVITY SAFETY THERMOSTAT

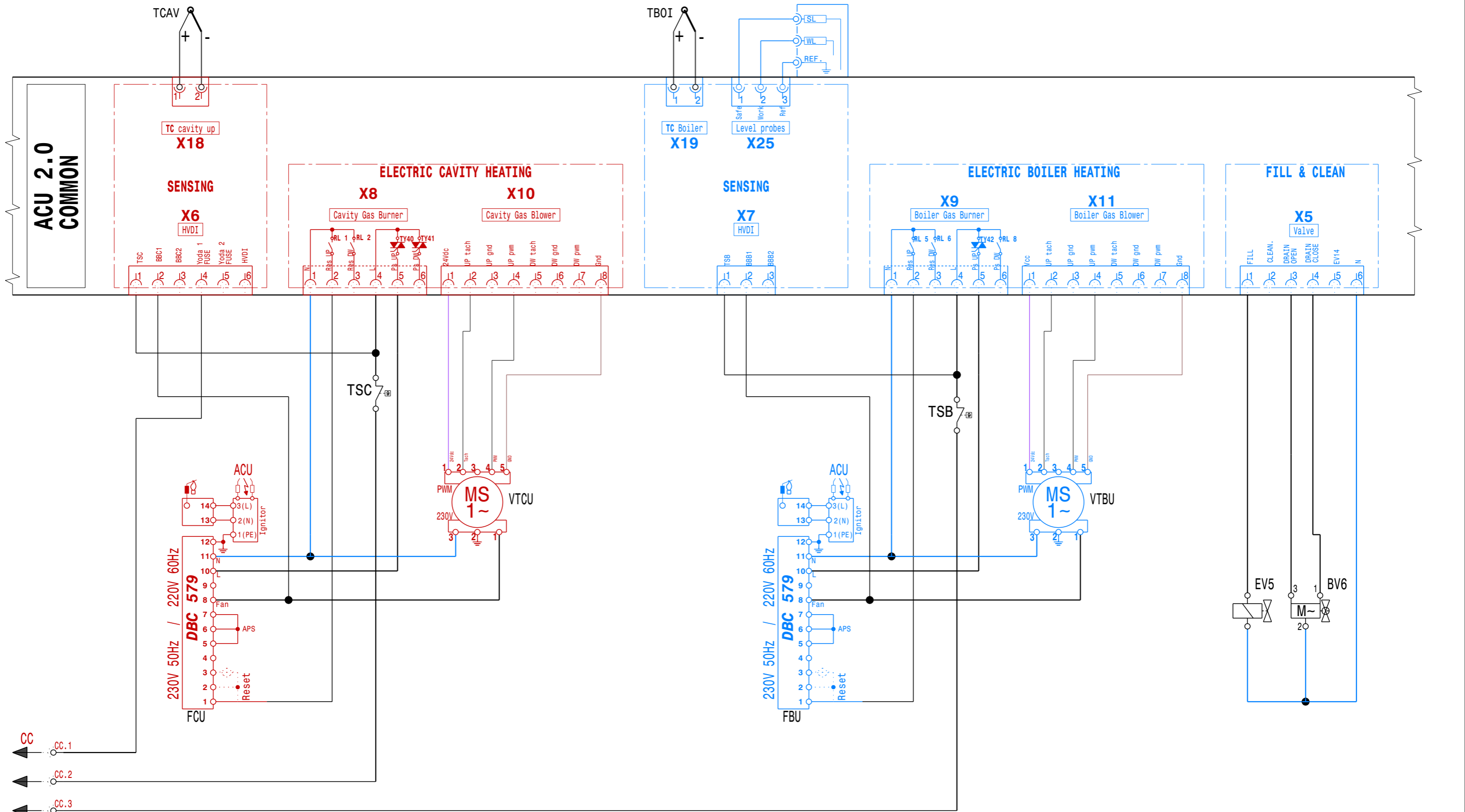
<b>VTCU</b>	CAVITY BLOWER
<b>TCAV</b>	CAVITY THERMOCOUPLE
-	-

# BOILER

# "GAS"

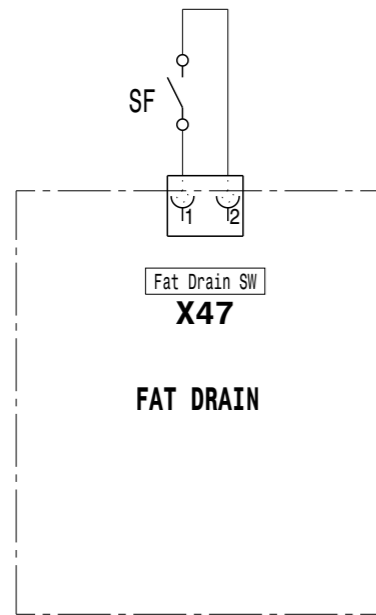
## GAS CONVECTIONS

## GAS BOILER (OPTION)

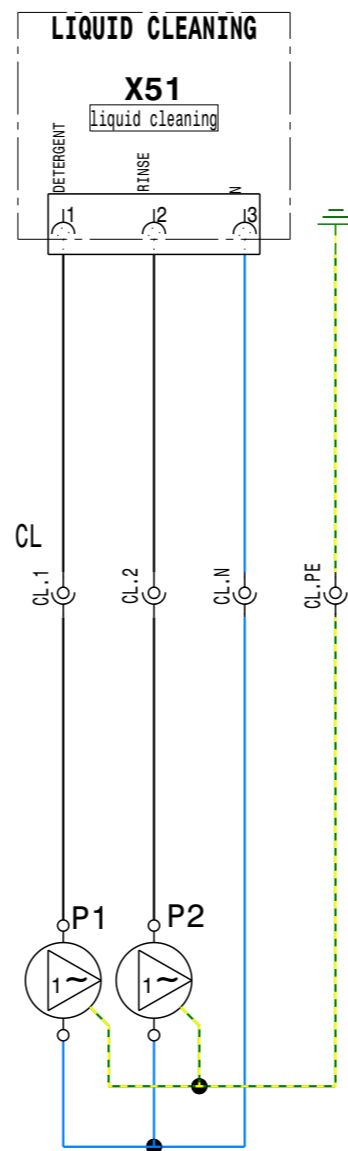


<b>TSC</b>	CAVITY SAFETY THERMOSTAT	<b>FCU</b>	CAVITY FLAME CONTROL UNIT	<b>TSB</b>	BOILER SAFETY THERMOSTAT	<b>FBU</b>	BOILER FLAME CONTROL UNIT	<b>EV5</b>	BOILER FILL SOLENOID VALVE
<b>TCAV</b>	CAVITY THERMOCOUPLE	<b>ACCU</b>	CAVITY IGNITOR	<b>TBOI</b>	BOILER THERMOCOUPLE	<b>ACCU</b>	BOILER IGNITOR	<b>BV6</b>	BOILER DRAIN BALL VALVE
		<b>VTCU</b>	CAVITY BLOWER			<b>VTBU</b>	BOILER BLOWER		

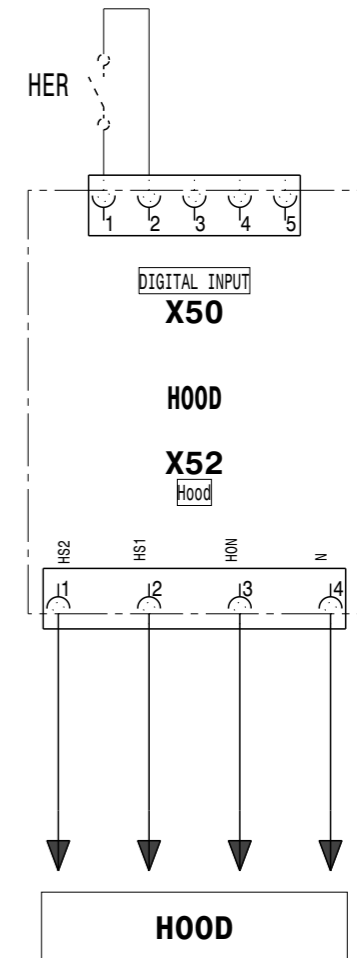
## FAT DRAIN SYSTEM



## LIQUID CLEANING



## EXTRACTION HOOD

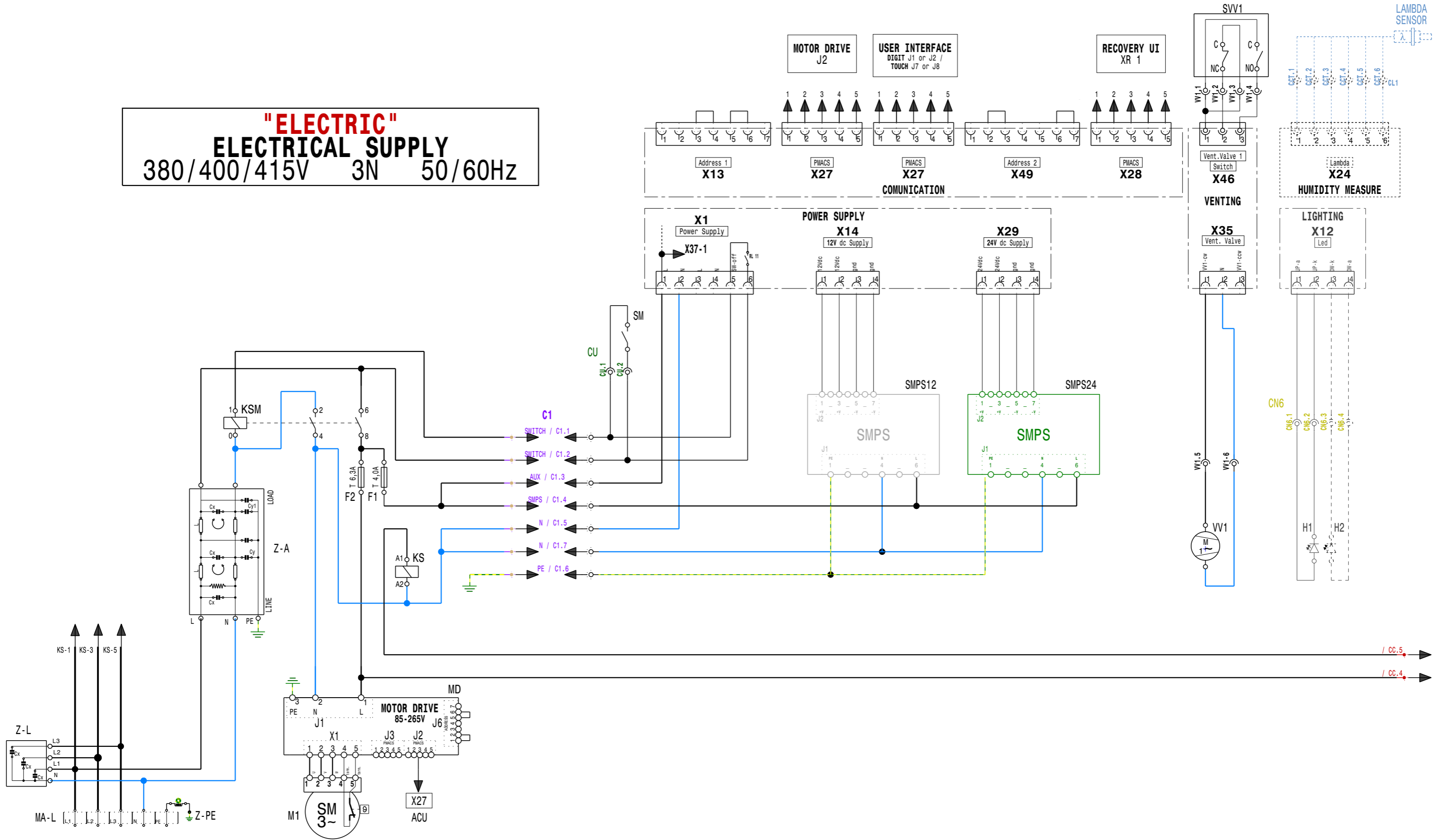


BV15	FAT DRAIN BALL VALVE	-	-
SF	FAT DRAIN SWITCH	-	-
-	-	-	-

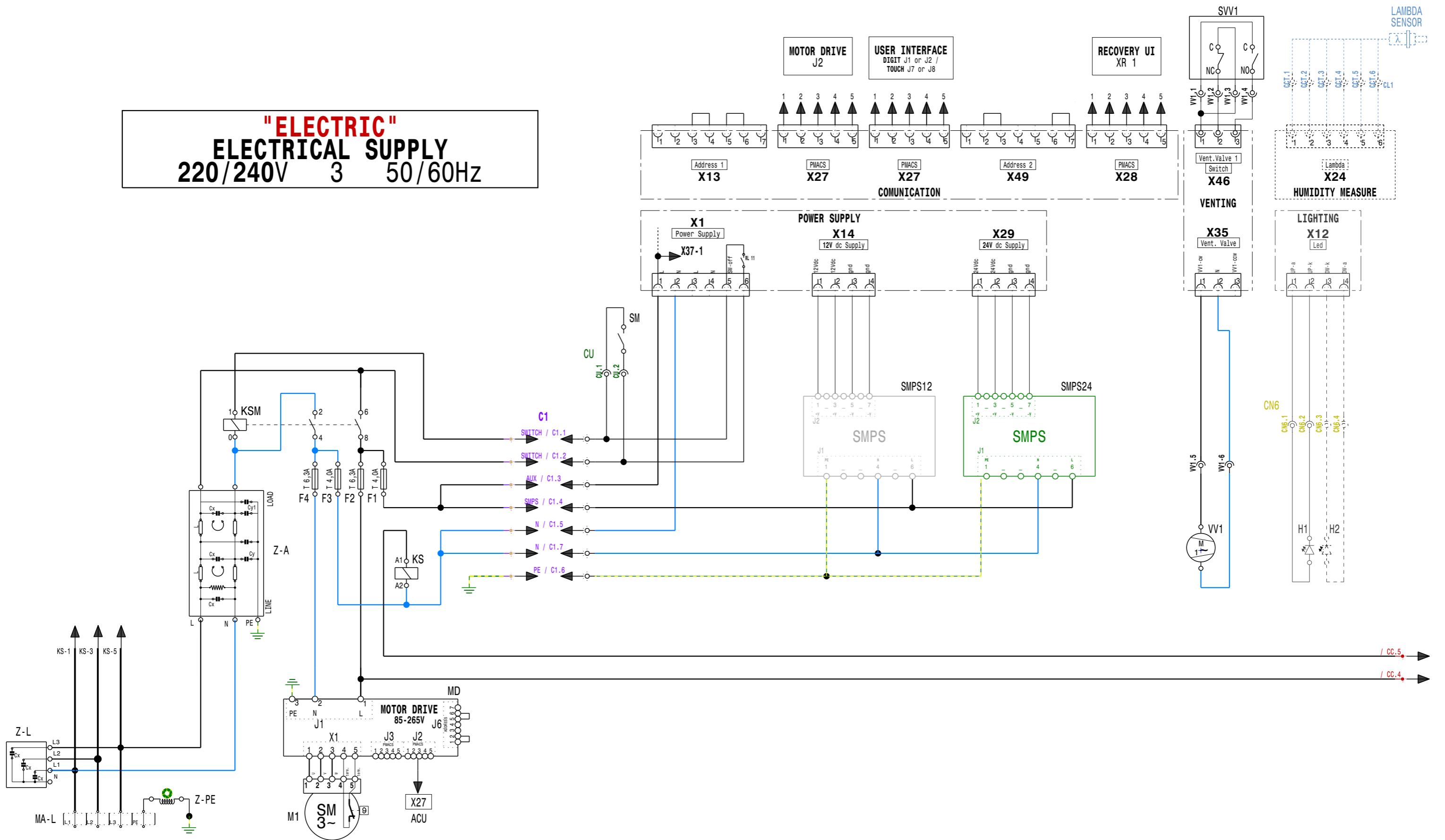
P1	RINSE PUMP	-	-
P2	DETERGENT PUMP	-	-
-	-	-	-



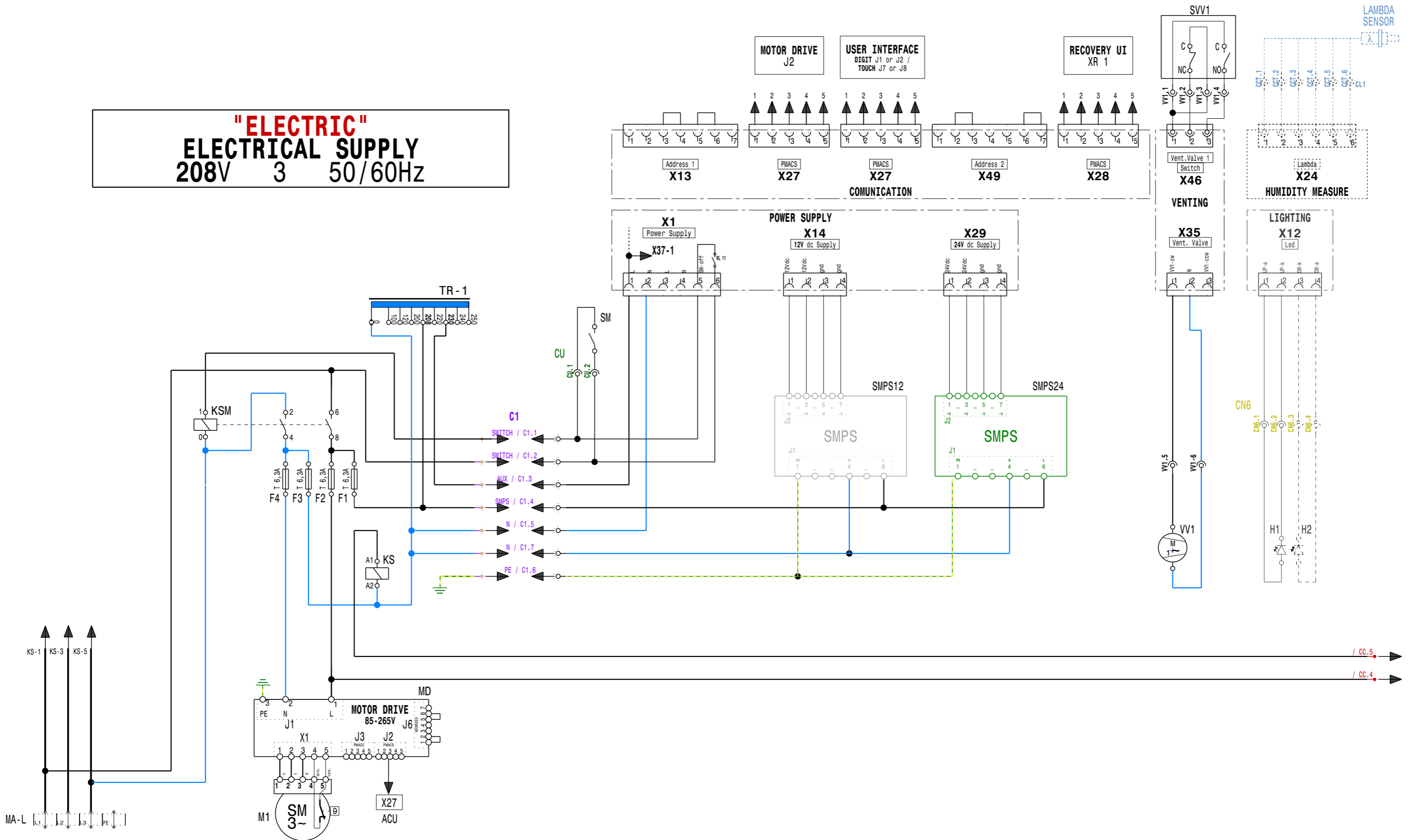
**"ELECTRIC"**  
**ELECTRICAL SUPPLY**  
 380/400/415V 3N 50/60Hz



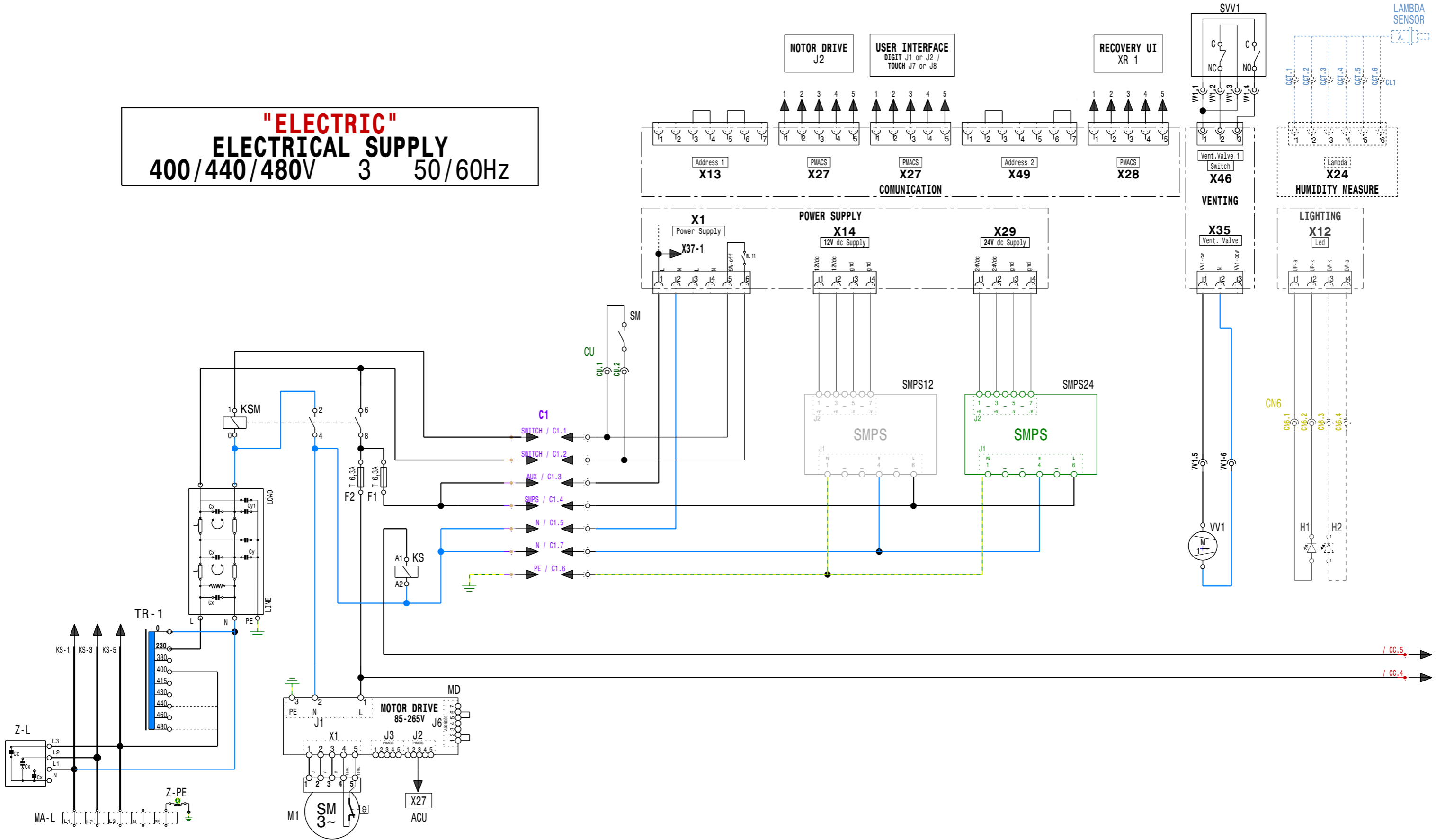
**"ELECTRIC"**  
**ELECTRICAL SUPPLY**  
 220/240V 3 50/60Hz

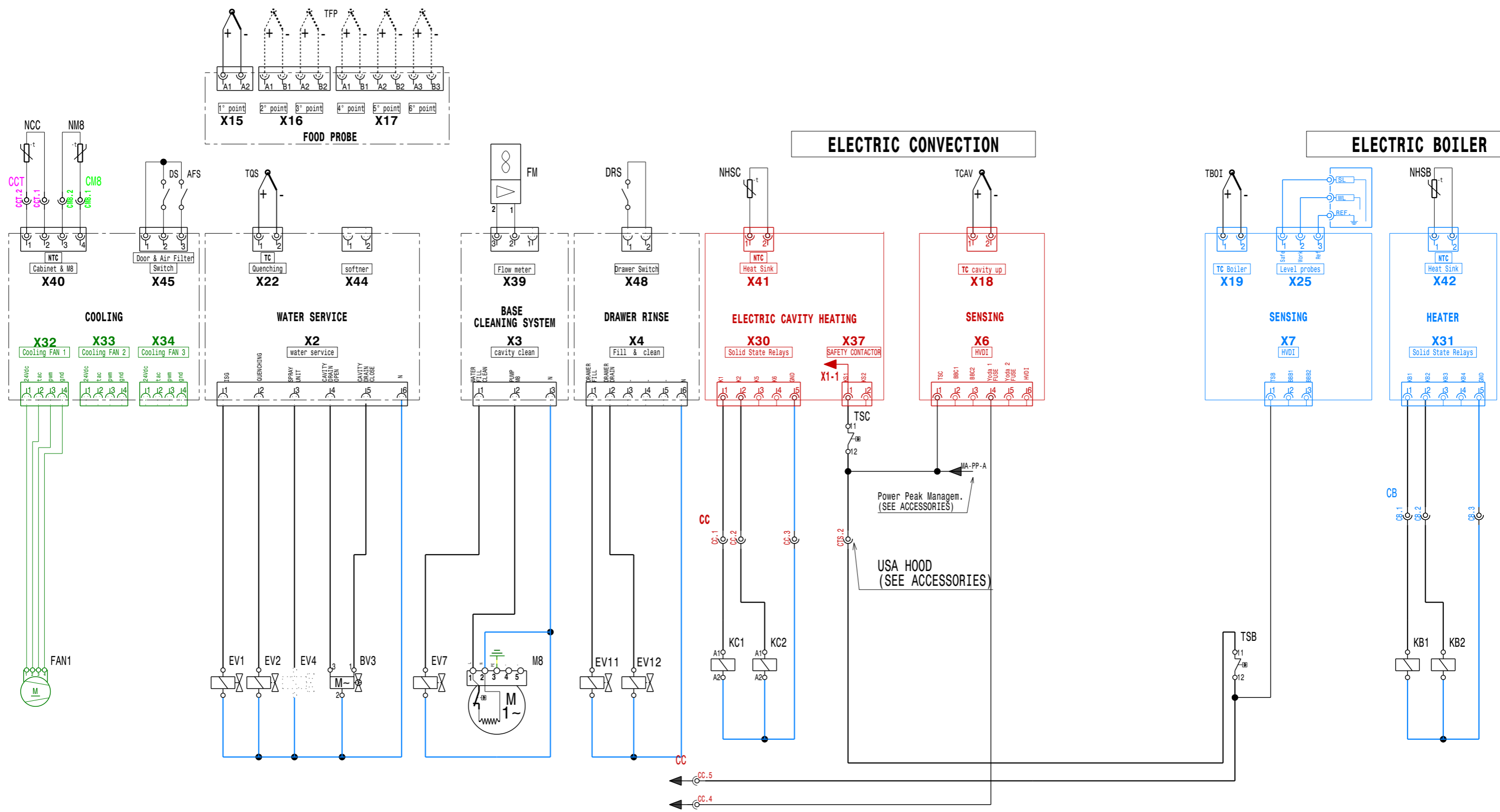


**"ELECTRIC"**  
**ELECTRICAL SUPPLY**  
 208V 3 50/60Hz



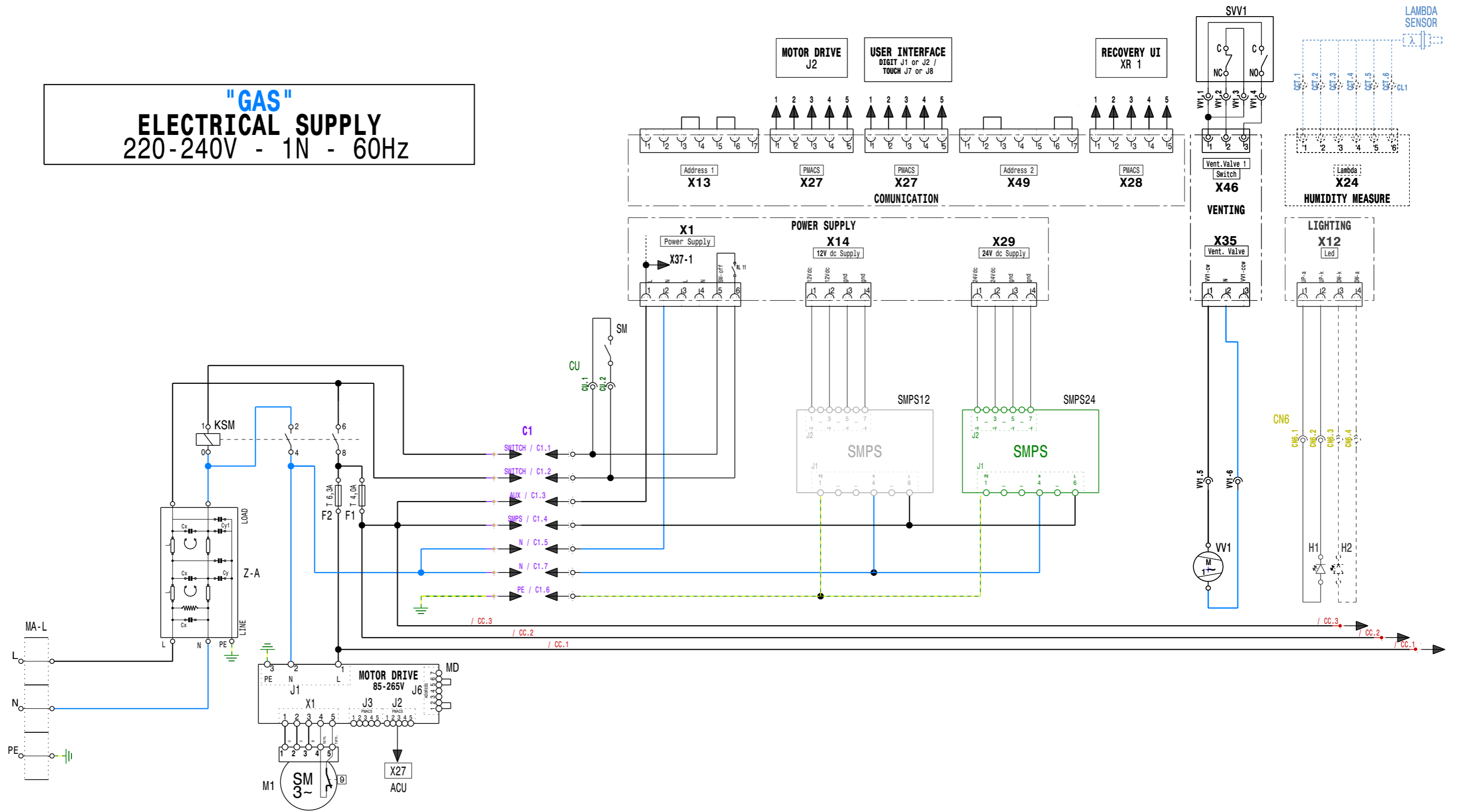
**"ELECTRIC"**  
**ELECTRICAL SUPPLY**  
**400/440/480V 3 50/60Hz**



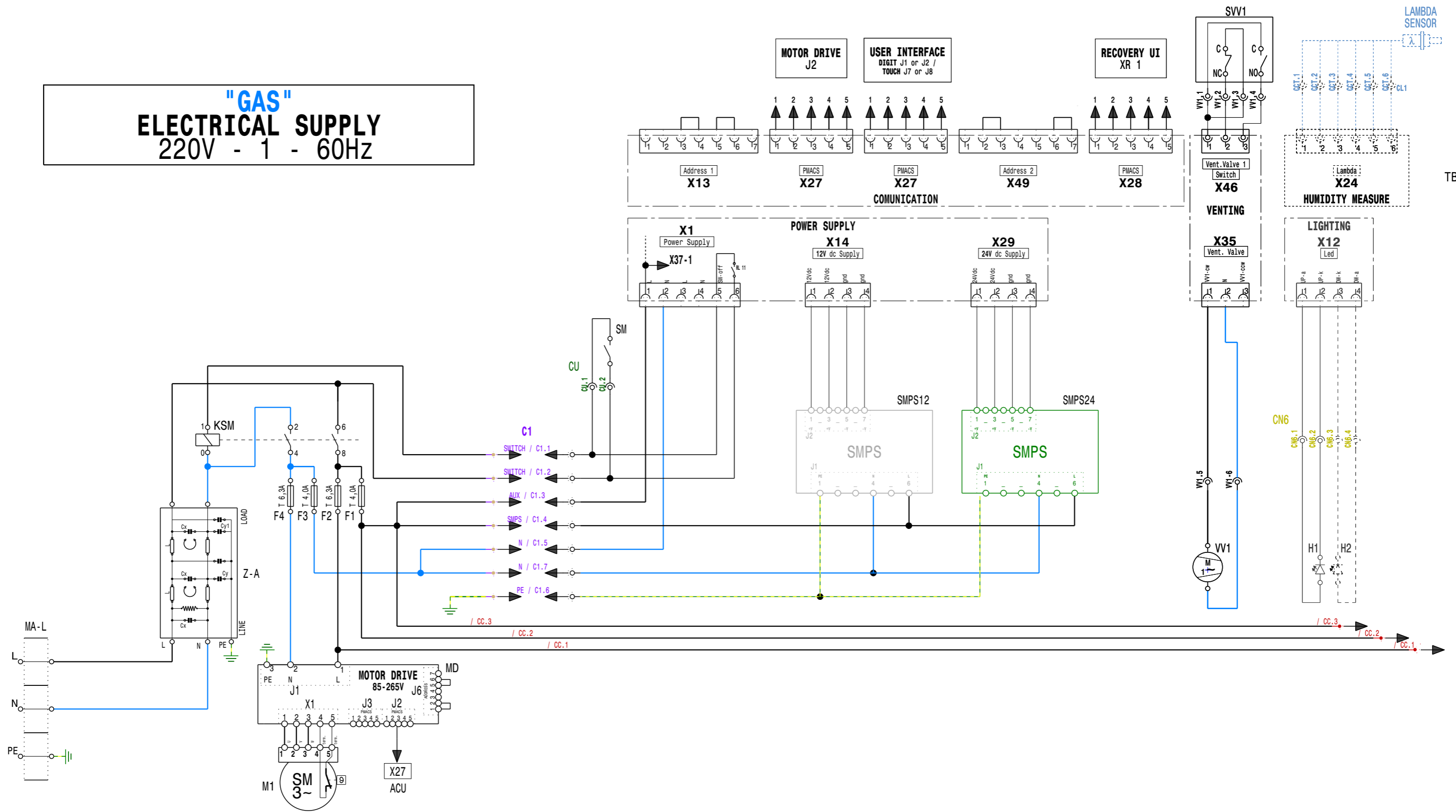




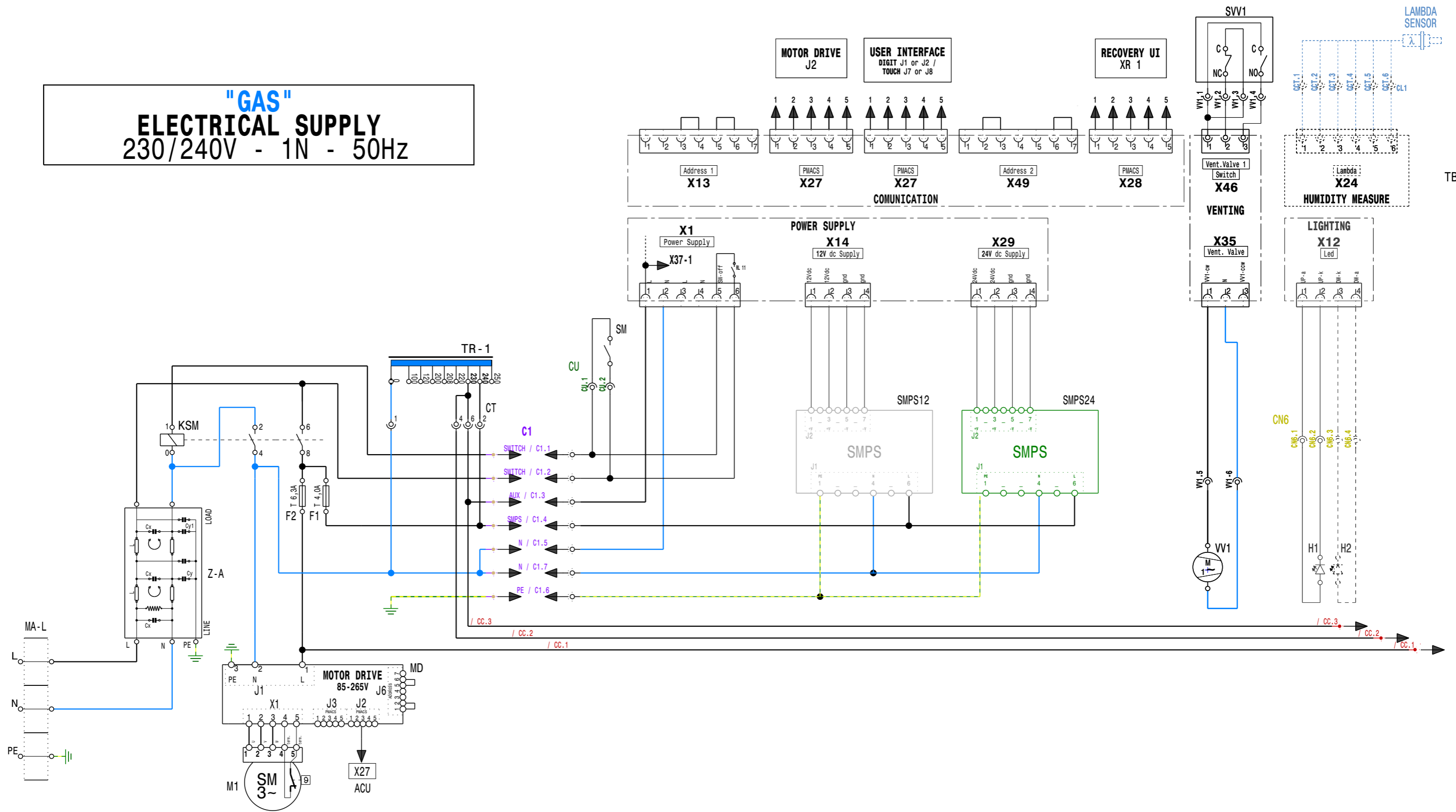
**"GAS"**  
**ELECTRICAL SUPPLY**  
 220-240V - 1N - 60Hz



**"GAS"**  
**ELECTRICAL SUPPLY**  
 220V - 1 - 60Hz

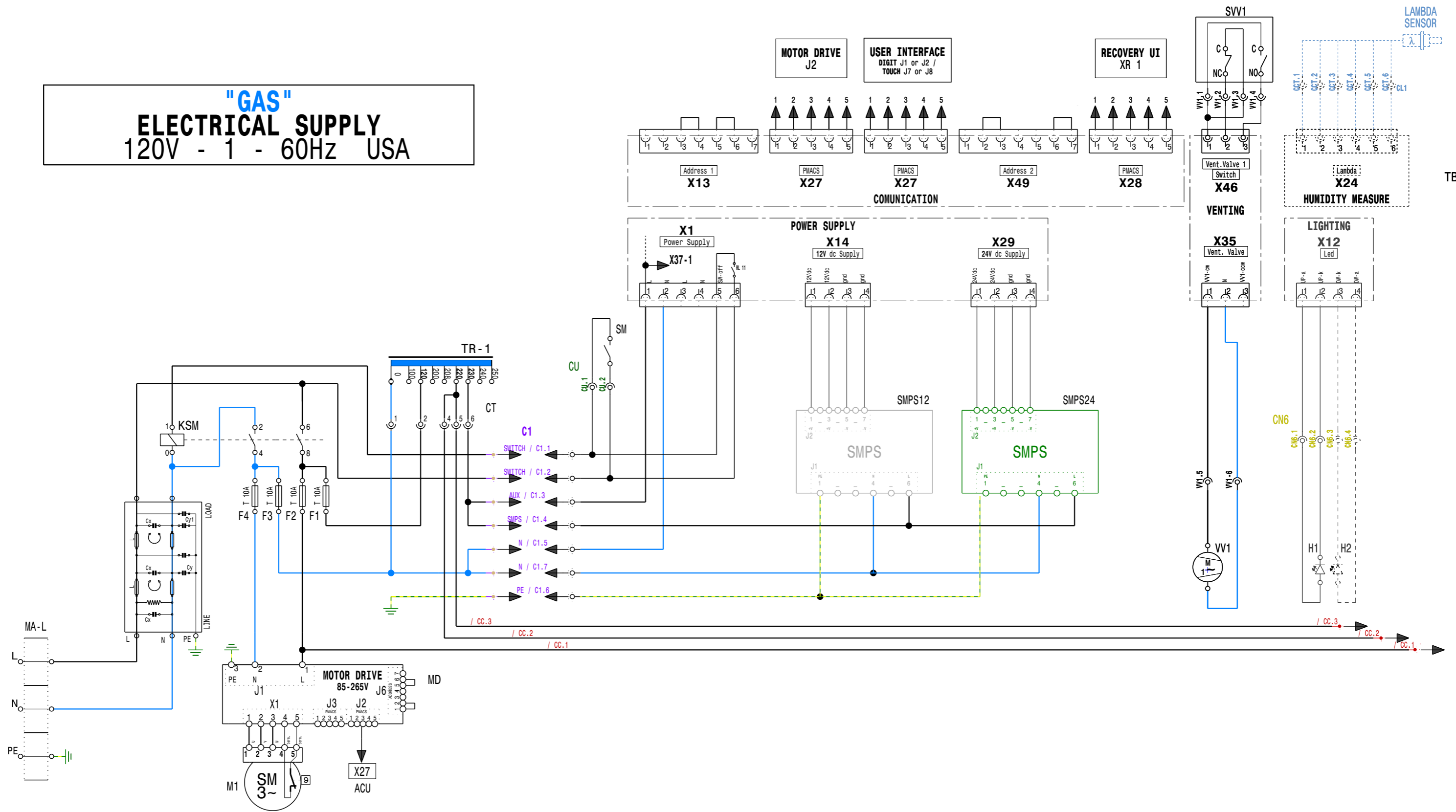


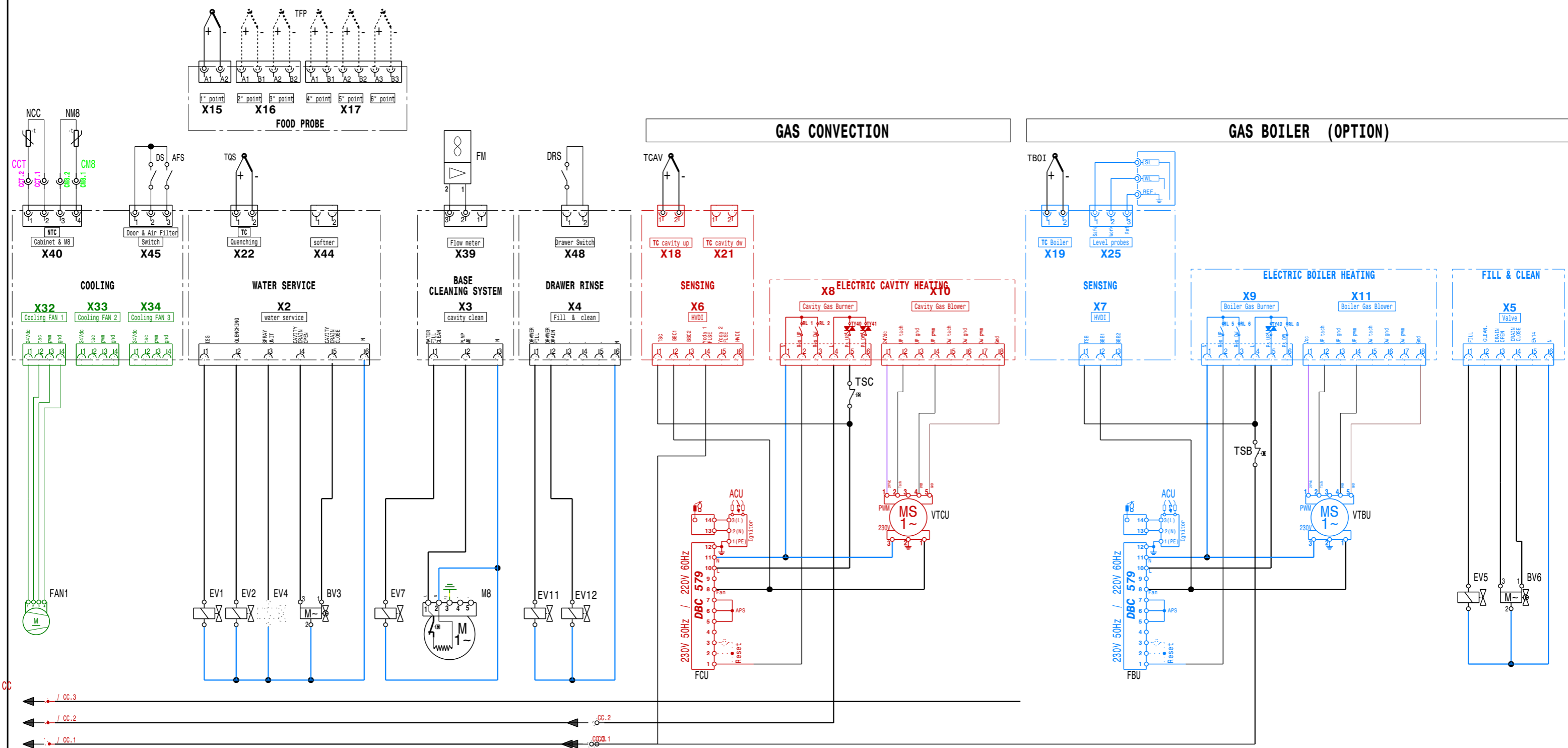
# "GAS" ELECTRICAL SUPPLY 230/240V - 1N - 50Hz



TBY

**"GAS"**  
**ELECTRICAL SUPPLY**  
 120V - 1 - 60Hz USA





**GAS CONVECTION**

**GAS BOILER (OPTION)**

**SENSING**

**SENSING**

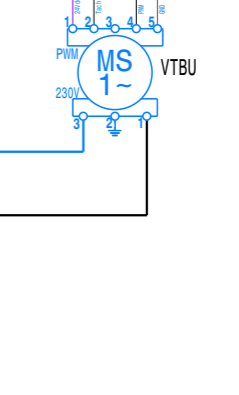
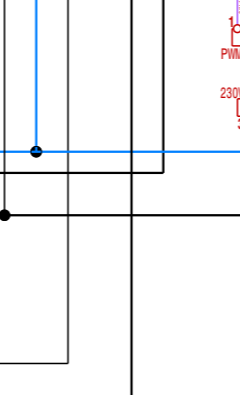
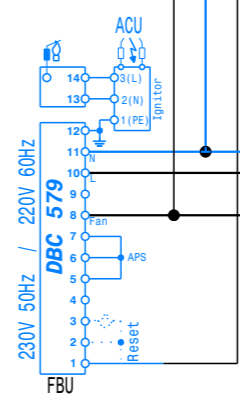
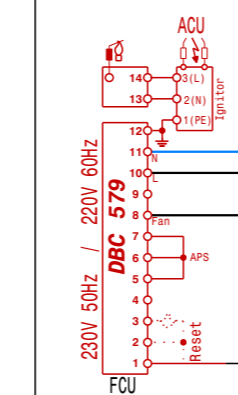
**SENSING**

**SENSING**

**ELECTRIC BOILER HEATING**

**FILL & CLEAN**

**ELECTRIC CAVITY HEATING**



<b>KC1</b>	CAVITY SOLID STATE RELAY 1	<b>NHSC</b>	NTC CAVITY SSR HEAT SINK	<b>EV5</b>	BOILER FILL SOLENOID VALVE	<b>KB1</b>	BOILER SOLID STATE RELAY 1	<b>NHSB</b>	NTC BOILER SSR HEAT SINK
<b>KC2</b>	CAVITY SOLID STATE RELAY 2	<b>TCAV</b>	CAVITY THERMOCOUPLE	<b>BV6</b>	BOILER DRAIN BALL VALVE	<b>KB2</b>	BOILER SOLID STATE RELAY 2	<b>TBOI</b>	BOILER THERMOCOUPLE
<b>TSC</b>	CAVITY SAFETY THERMOSTAT							<b>TSB</b>	BOILER SAFETY THERMOSTAT
					COD 602402F06 ELECTRIC DIAGRAM 6/10 "ELT" 380-480V CKM			From S/N :	

