



MOD : SDE/06S

Production code : 228905

Jet engine compressor drawings

Creative
MARKET

01/2026

SKYLINE ELECTRIC OVEN 3.0 FORNO ELETTRICO SKYLINE 3.0

Type Reference	Ref	Page	Description	note
COE61C3K	b		6 grids GN 1/1 - touch convect - triple glass - Smoker/Aromatizer	
COE61C30	c		6 grids GN 1/1 - touch convect - triple glass - Standard	
COE61D30	d		6 grids GN 1/1 - digital steam - triple glass - Standard	
COE61T3K	f		6 grids GN 1/1 - touch steam - triple glass - Smoker/Aromatizer	
COE61T30	g		6 grids GN 1/1 - touch steam - triple glass - Standard	
COE61V30	h		6 grids GN 1/1 - digital convect - triple glass - Standard	
COE61V3K	c1		6 grids GN 1/1 - digital convect - triple glass - Smoker/Aromatizer	
COE62C3K	j		6 grids GN 2/1 - touch convect - triple glass - Smoker/Aromatizer	
COE62C30	k		6 grids GN 2/1 - touch convect - triple glass - Standard	
COE62D30	l		6 grids GN 2/1 - digital steam - triple glass - Standard	
COE62T3K	n		6 grids GN 2/1 - touch steam - triple glass - Smoker/Aromatizer	
COE62T30	o		6 grids GN 2/1 - touch steam - triple glass - Standard	
COE62V30	p		6 grids GN 2/1 - digital convect - triple glass - Standard	
SBES/06S	d		6 grids GN 1/1 - digital steam - triple glass - Standard	DIAMOND
SBET/06S	g		6 grids GN 1/1 - touch steam - triple glass - Standard	DIAMOND
SDE/06S	h		6 grids GN 1/1 - digital convect - triple glass - Standard	DIAMOND
SDET/06S	c		6 grids GN 1/1 - touch convect - triple glass - Standard	DIAMOND
COE11C30	r		10 grids GN 1/1 - touch convect - triple glass - Standard	
COE11D30	s		10 grids GN 1/1 - digital steam - triple glass - Standard	
COE11T30	u		10 grids GN 1/1 - touch steam - triple glass - Standard	
COE11V30	v		10 grids GN 1/1 - digital convect - triple glass - Standard	
COE12C30	x		10 grids GN 2/1 - touch convect - triple glass - Standard	
COE12D30	y		10 grids GN 2/1 - digital steam - triple glass - Standard	
COE12T30	a1		10 grids GN 2/1 - touch steam - triple glass - Standard	
COE12V30	b1		10 grids GN 2/1 - digital convect - triple glass - Standard	
SBES/10S	s		10 grids GN 1/1 - digital steam - triple glass - Standard	DIAMOND
SBET/10S	u		10 grids GN 1/1 - touch steam - triple glass - Standard	DIAMOND
SDE/10S	v		10 grids GN 1/1 - digital convect - triple glass - Standard	DIAMOND
SDET/10S	r		10 grids GN 1/1 - touch convect - triple glass - Standard	DIAMOND

Index

Description Type Reference/Descrizione Type Reference
Oven cabinet and door/Cella forno e porta
Electrical components/Componenti elettrici
Water system/Impianto idraulico
Boiler
Preventive Maintenance KIT
Spare parts list / Lista ricambi
Maintenance Kit list / Lista KIT di manutenzione
Bold=last change / Grassetto =ultima modifica

Page

2
3
4
5-6
7
8
9-22
23-25

Rev. 1

V = Vital spare part/Ricambio vitale
W&T = Wear&Tear and Consumable/
Ricambio usurabile e consumabile

From Ser. Nr.... Up to Ser. Nr....	Ed. 2025-09 Updated	Page: 1	Doc No:595407D00
---------------------------------------	------------------------	---------	-------------------------

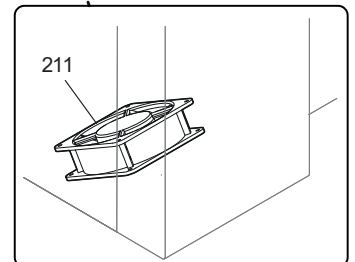
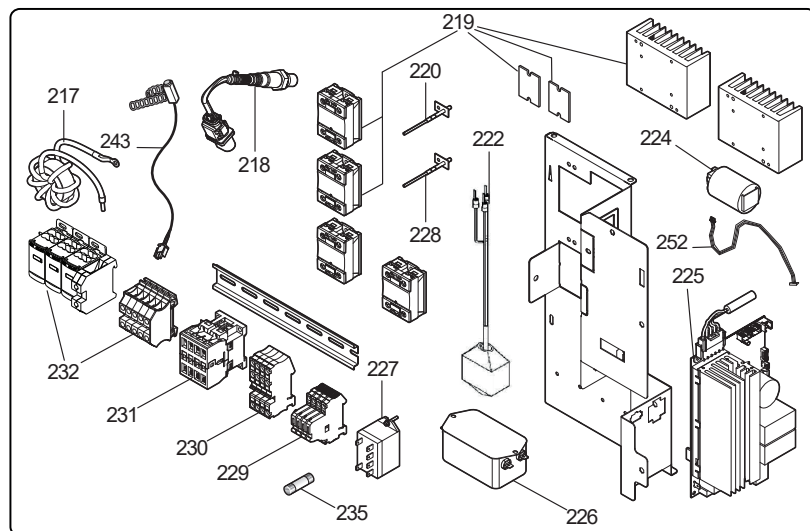
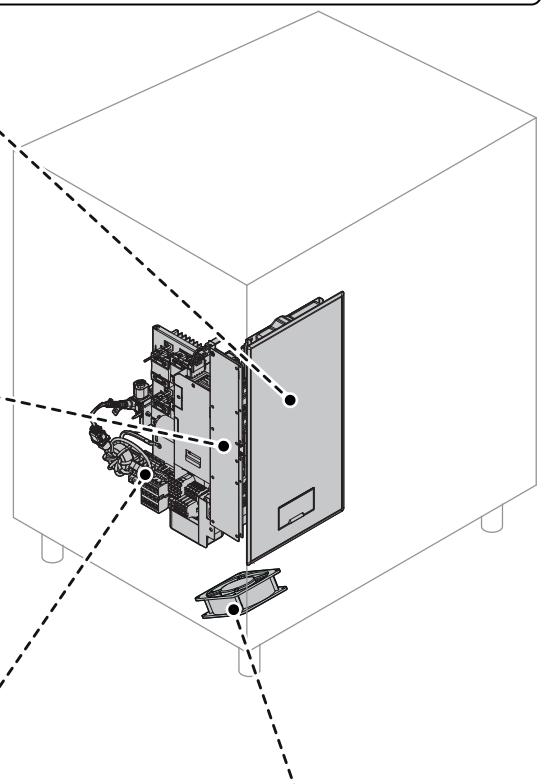
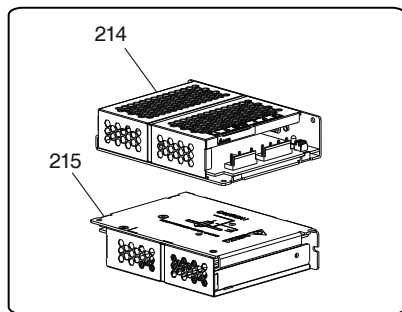
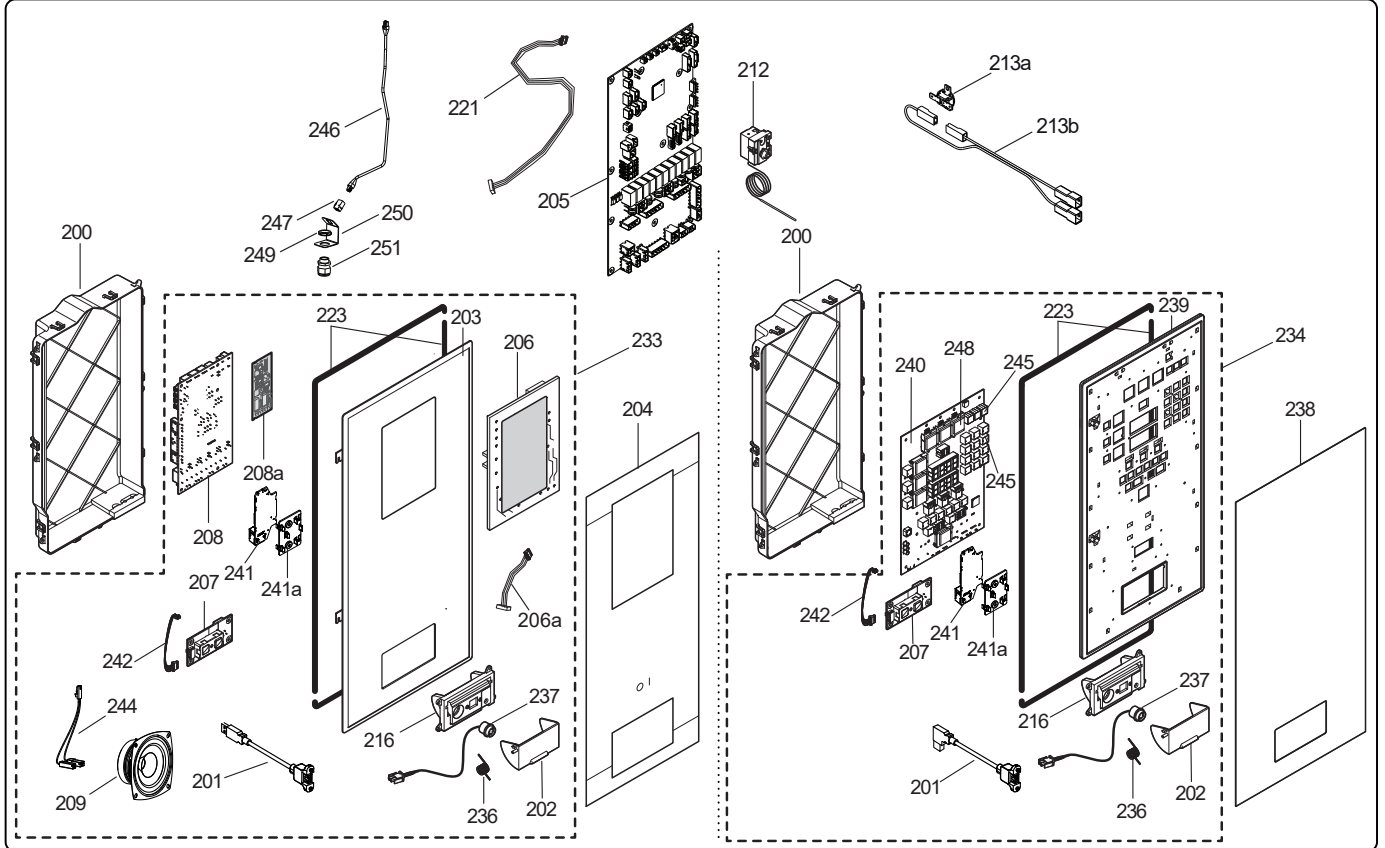
COE * * *

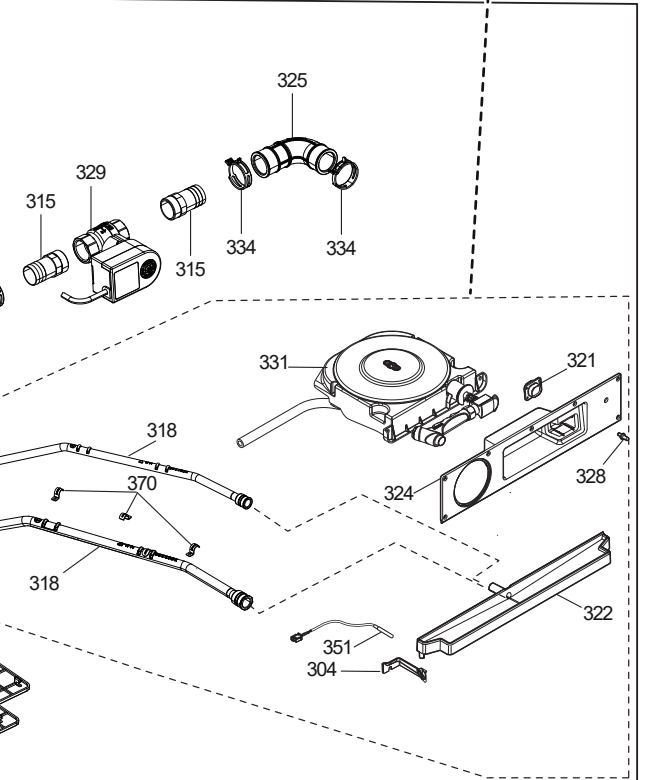
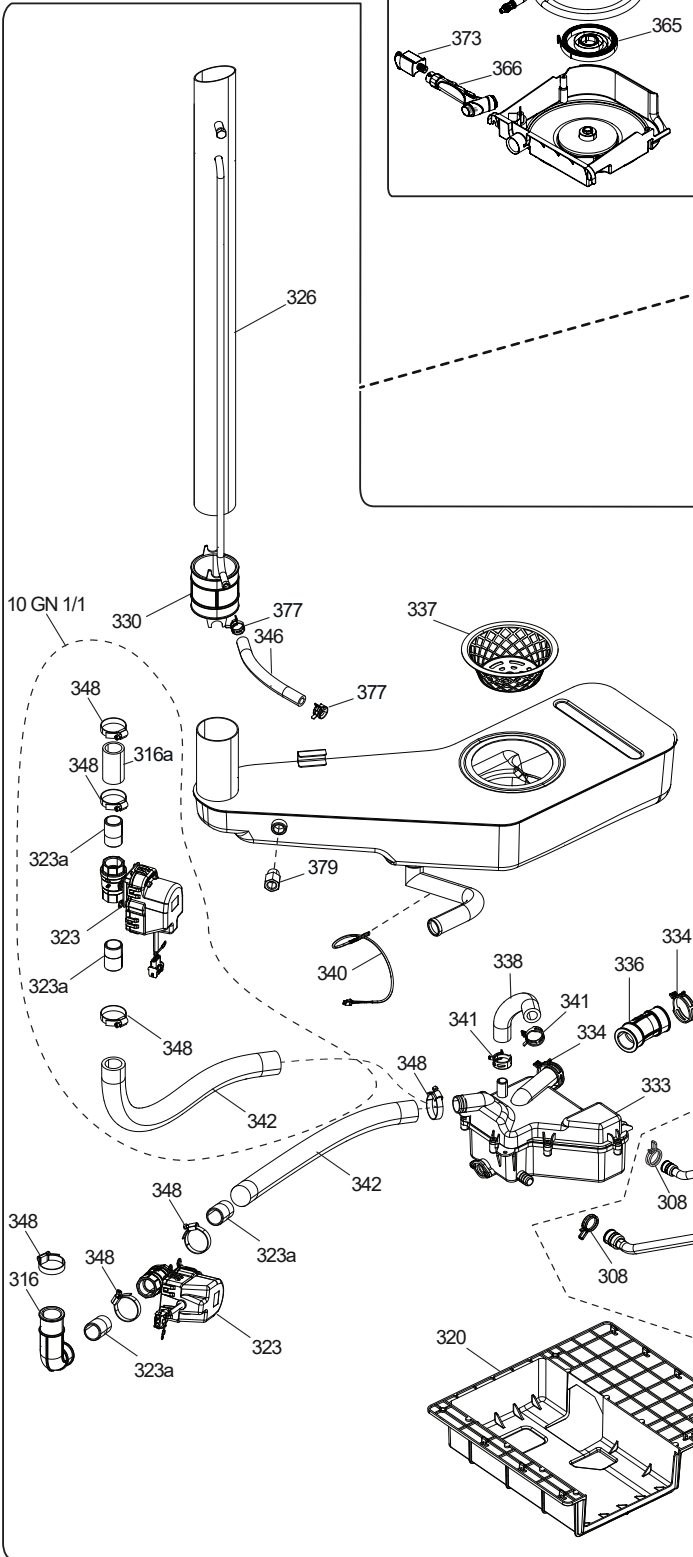
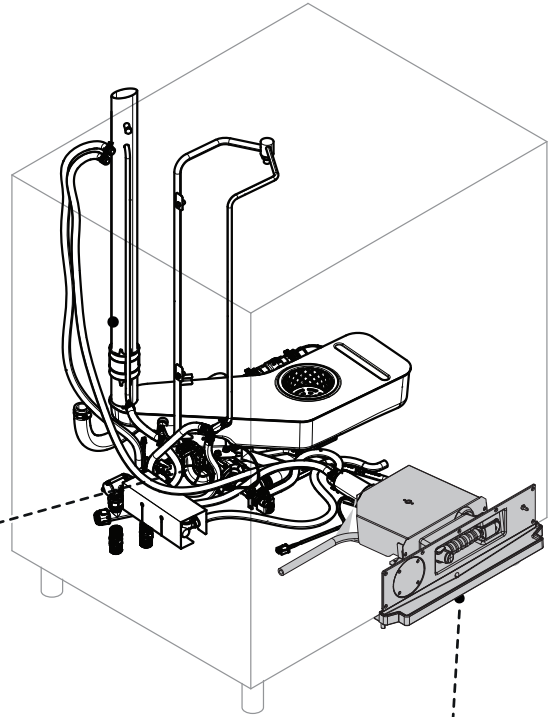
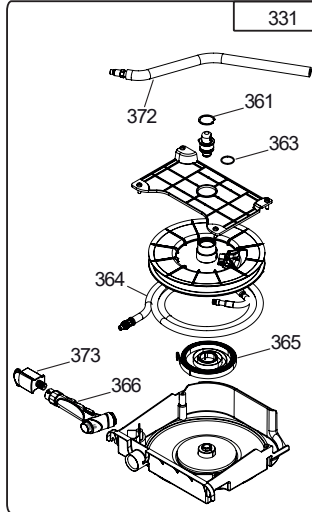
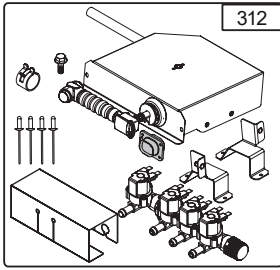
K = Smoker/Aromatizer
0 = Standard

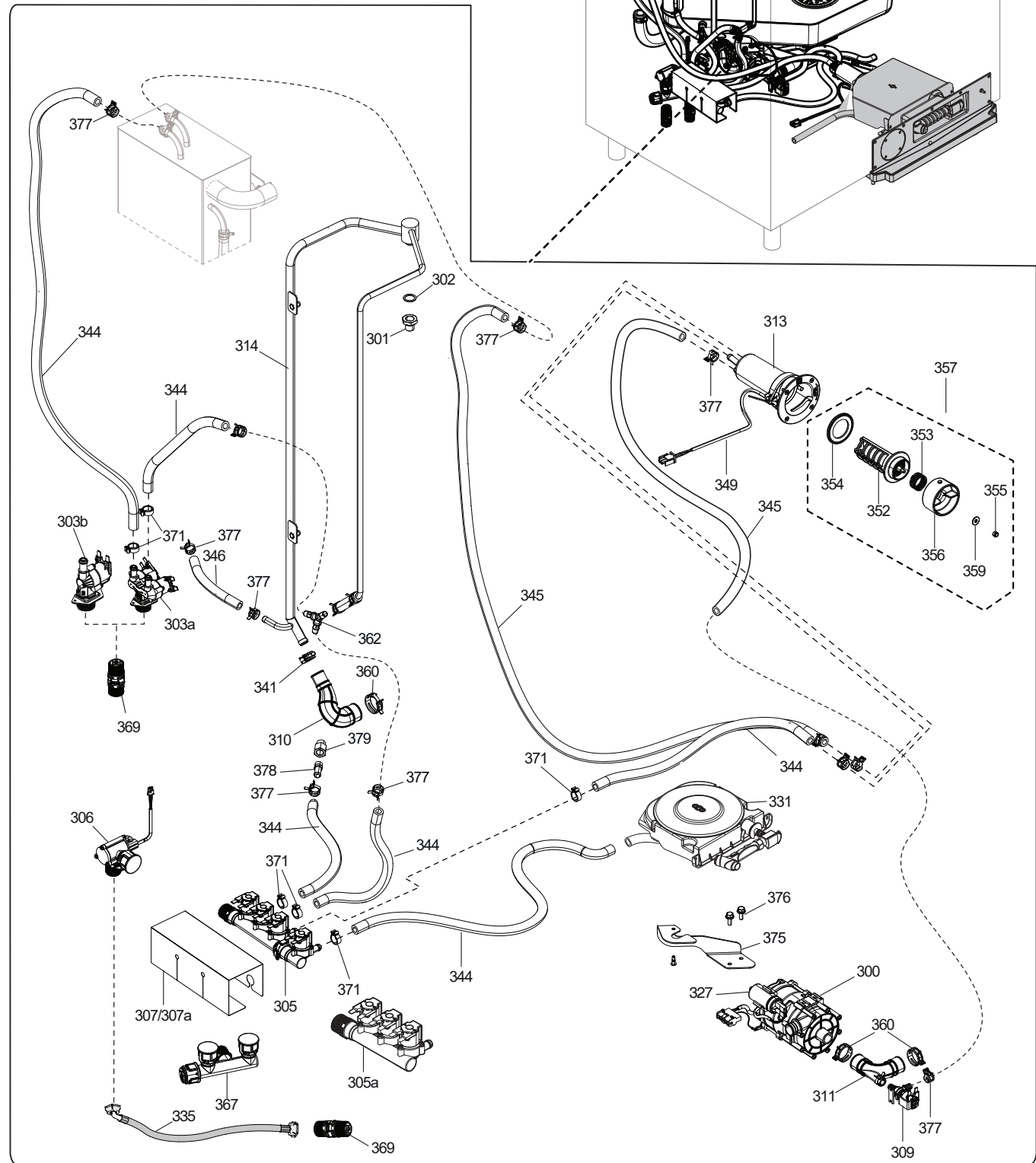
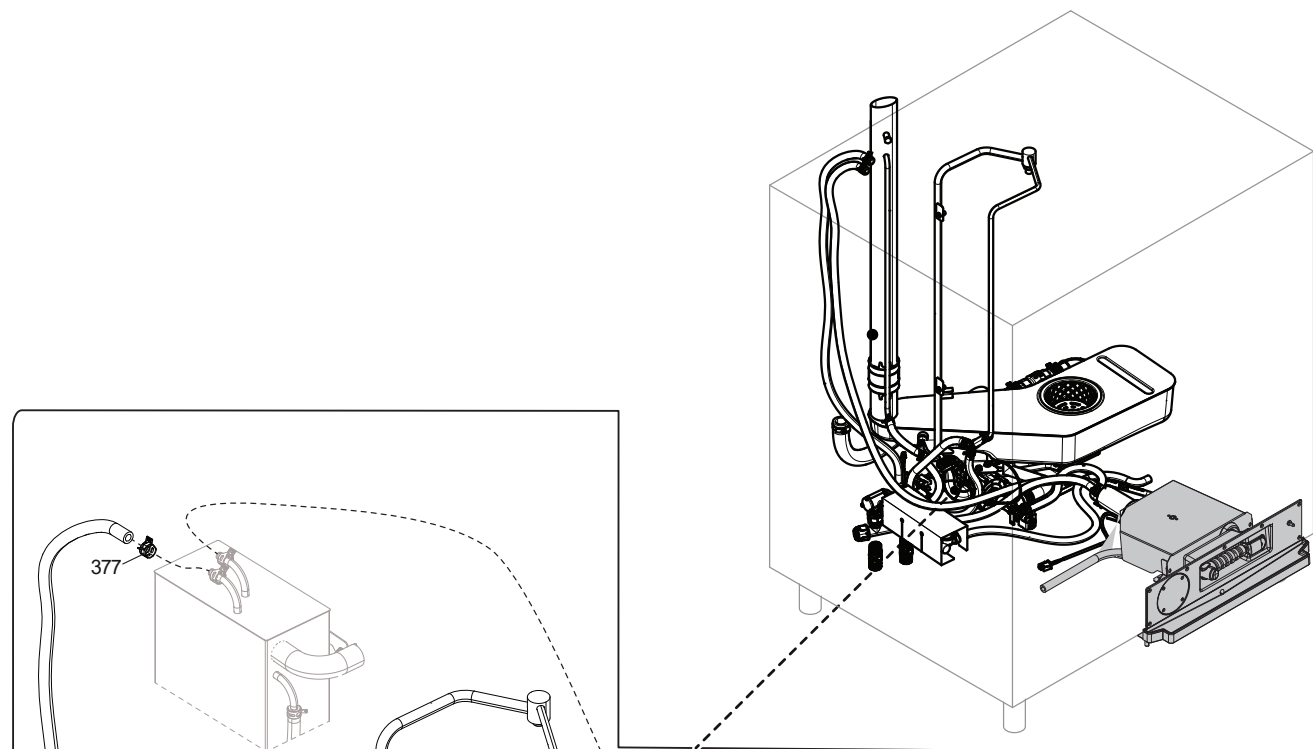
T2 = touch steam - double glass
T3 = touch steam - triple glass
C2 = touch convect – double glass
C3 = touch convect – triple glass
D2 = digital steam – double glass
D3 = digital steam – triple glass
V2 = digital convect – double glass
V3 = digital convect – triple glass

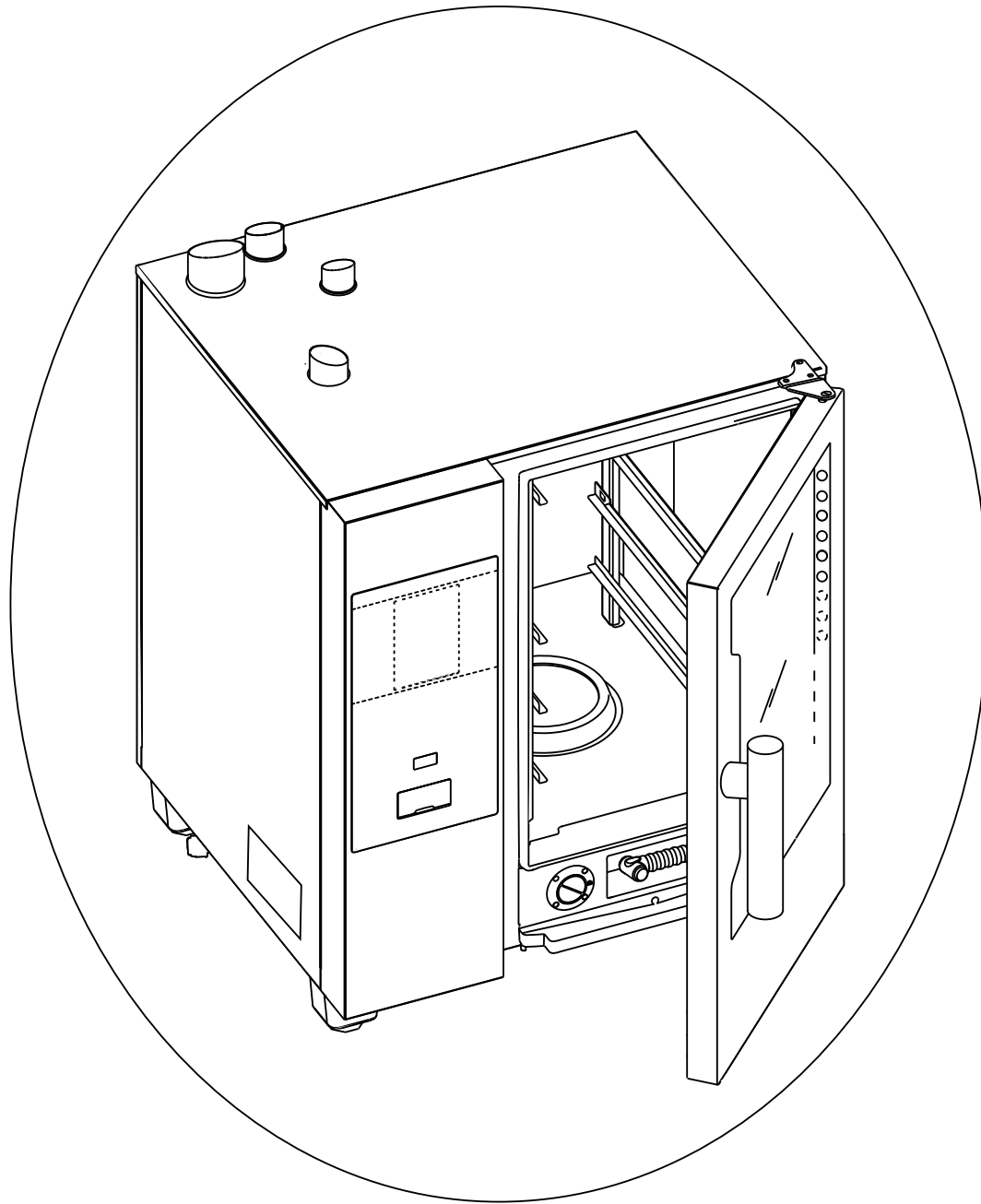
61 = 6 grids GN1/1
62 = 6 grids GN2/1
11 = 10 grids GN1/1
12 = 10 grids GN2/1
21 = 20 grids GN1/1
22 = 20 grids G21/1

COE = Combi Oven Electric









- PPM1
- PPM2
- PPM3
- PPM4
- PPM5
- PPM6
- PPM7
- PPM8
- PPM9
- PPM10
- PPM11
- PPM12
- PPM13
- PPM14
- PPM15
- PPM16

SKYLINE 3.0

Pos	Spare part Code	Factory code	Descrizione	Description	V	W & T	Ref./Notes
100	0CK591	503404P04	FIANCO SINISTRO 6 1/1	LEFT PANEL 6 1/1			b;c;d;f;g;h;c1
100	0CK594	503404Q04	FIANCO SINISTRO 10 1/1	LEFT PANEL 10 1/1			r;s;u;v
100	0CK104	503405A03	FIANCO SINISTRO 6 2/1	LEFT PANEL 6 2/1			j;k;l;n;o;p
100	0CK227	503405B03	FIANCO SINISTRO 10 2/1	LEFT PANEL 10 2/1			x;y;a1;b1
101	0CK695	50340BA00	SCHIENALE FORNO 6 1/1	BACK PANEL 6 1/1			b;c;d;f;g;h;c1
101	0CK696	50340BB01	SCHIENALE FORNO 6 1/1	BACK PANEL 6 1/1			b;c;d;f;g;h;c1 Marine
101	0CK693	50340B800	SCHIENALE FORNO 10 1/1	BACK PANEL 10 1/1			r;s;u;v
101	0CK694	50340B901	SCHIENALE FORNO 10 1/1	BACK PANEL 10 1/1			r;s;u;v Marine
101	0CK697	50340BF00	SCHIENALE FORNO 6 2/1	BACK PANEL 6 2/1			j;k;l;n;o;p
101	0CK698	50340BG01	SCHIENALE FORNO 6 2/1	BACK PANEL 6 2/1			j;k;l;n;o;p Marine
101	0CK699	50340BH00	SCHIENALE FORNO 10 2/1	BACK PANEL 10 2/1			x;y;a1;b1
101	0CK700	50340BJ01	SCHIENALE FORNO 10 2/1	BACK PANEL 10 2/1			x;y;a1;b1 Marine
102	0CK230	503404C03	COPERCHIO FORNO 6-10 1/1	TOP PANEL 6-10 1/1			b;c;d;f;g;h;r;s; u;v;c1
102	0CK9B0	50340D500	COPERCHIO FORNO 6-10 1/1	TOP PANEL 6-10 1/1			b;c;d;f;g;h;r;s; u;v;c1 MARINE
102	0CK229	503405D02	COPERCHIO FORNO 6-10 2/1	TOP PANEL 6-10 2/1			j;k;l;n;o;p; x;y;a1;b1
102	0CK9B1	50340D600	COPERCHIO FORNO 6-10 2/1	TOP PANEL 6-10 2/1			j;k;l;n;o;p; x;y;a1;b1 MARINE
103	0C4234	806847803	CERNIERA SUPERIORE	UPPER HINGE	X		RIGHT HINGED
103	*	80540DX00	CERNIERA SUPERIORE PORTA REV	UPPER HINGE FOR REVERSE DOOR	X		LEFT HINGED
105	0CK319	830409802	MANIGLIA PORTA	DOOR HANDLE	X		ZANUSSI
106	0CK148	50440CX02	MOLLA FERMAVETRO	INNER GLASS STOPPER			
107	0C4092	806859903	NASELLO CHIUSURA 1-STEP	SINGLE STEP DOOR LATCH	X	X	
107	0C6010	806859101	NASELLO CHIUSURA 2-STEP	DOUBLE STEP DOOR LATCH	X	X	MARINE
108	0CK086	510400102	CERNIERA INFERIORE DESTRA PORTA	RIGHT LOWER HINGE	X		RIGHT HINGED
108	*	800401Y00	CERNIERA INFERIORE PORTA SINISTRA	LOWER HINGE FOR REVERSE DOOR	X		LEFT HINGED
109	0CK158	511400N01	POSIZIONAT. INF.CON FERMO-PORTA	DOOR POSITIONER WITH STOPPER			RIGHT HINGED
109	0CK354	511400R00	POSIZIONAT. INF.CON FERMO-PORTA	DOOR POSITIONER WITH STOPPER			LEFT HINGED
110	0CK160	541401R00	PROTEZIONE CAVETTI LED	LED WIRING PROTECTION		X	
111	0CK143	835403C00	MECCANISMO CHIUSURA PORTA	CLOSING MECHANISM	X		
112	0CK666	548401U03	MANIGLIA PORTA	DOOR HANDLE	X		ELECTROLUX
113	0CK205	549400W01	VASCHETTA GN 1/1	FRONT DRIP TRAY GN 1/1		X	b;c;d;f;g;h; r;s;u;v;c1
113	0CK204	549400X01	VASCHETTA GN 2/1	FRONT DRIP TRAY GN 2/1		X	j;k;l;n;o; p;x;y;a1;b1
114	0CK239	879402801	ASSIEME VETRO INTERNO 6 1/1	INNER GLASS ASSEMBLY 6 1/1	X	X	b;c;d;f;g;h;c1
114	0CK081	879402901	ASSIEME VETRO INTERNO 10 1/1	INNER GLASS ASSEMBLY 10 1/1	X	X	r;s;u;v
114	0CK238	879402A01	ASSIEME VETRO INTERNO 6 2/1	INNER GLASS ASSEMBLY 6 2/1	X	X	j;k;l;n;o;p
114	0CK240	879402B01	ASSIEME VETRO INTERNO 10 2/1	INNER GLASS ASSEMBLY 10 2/1	X	X	x;y;a1;b1
115	0CK9CY	543404000	GUARNIZIONE CELLA-PORTA 6 1/1	DOOR GASKET 6 1/1	X	X	b;c;d;f;g;h;c1
115	0CK9D0	543404200	GUARNIZIONE CELLA-PORTA 10 1/1	DOOR GASKET 10 1/1	X	X	r;s;u;v
115	0CK9CZ	543404100	GUARNIZIONE CELLA-PORTA 6 2/1	DOOR GASKET 6 2/1	X	X	j;k;l;n;o;p
115	0CK9D1	543404300	GUARNIZIONE CELLA-PORTA 10 2/1	DOOR GASKET 10 2/1	X	X	x;y;a1;b1
116	0CK171	83040BW04	SPILLONE MULTIPOINT 10 1/1 – 10 2/1	FOOD PROBE MULTIPOINT 10 GRIDS		X	r;s;u;v;x;y; a1;b1

SKYLINE 3.0							
Pos	Spare part Code	Factory code	Descrizione	Description	V	W & T	Ref./Notes
116	0CK172	83040CX03	SPILLONE MULTIPOINT 6 1/1 – 6 2/1	FOOD PROBE MULTIPOINT 6 GRIDS		X	b;c;d;f;g;h;j;k;l;n;o;p;c1
116	0CK173	83040BV03	SPILLONE SINGLE POINT 10 1/1 – 10 2/1	FOOD PROBE SINGLE POINT 10 GRIDS		X	r;s;u;v;x;y;a1;b1
116	0CK174	83040CY03	SPILLONE SINGLE POINT 6 1/1 – 6 2/1	FOOD PROBE SINGLE POINT 6 GRIDS		X	b;c;d;f;g;h;j;k;l;n;o;p;c1
117a	0CK86X	541403400	PORTAFILTRO	FILTER SUPPORT			
117b	0CK86Y	541403500	SCATOLA INFERIORE PORTA FILTRO	LOWER BOX FILTER SUPPORT			
117c	0CK86Z	541403600	SCATOLA SUPERIORE PORTA FILTRO	UPPER BOX FILTER SUPPORT			
118	0CK875	0549401J00	FILTRO ARIA	AIR FILTER		X	
119	0CK154	875403K00	PIEDE DI SERVIZIO INOX	SERVICE FOOT INOX			
119		875406R00	PIEDE DI SERVIZIO MARINE	MARINE SERVICE FOOT			MARINE
119a	0CK015	85540CY00	PIEDE REGOLABILE, KIT DI SOVRAPPONIZIONE	ADJUSTABLE FOOT, STACKING KIT			
120	0CK076	870401W04	ASSIEME PORTATEGLIE 6 1/1	TRAY RACK 6 1/1			b;c;d;f;g;h;c1
120	0CK241	870401Y04	ASSIEME PORTATEGLIE 10 1/1	TRAY RACK 10 1/1			r;s;u;v
120	0CK078	870401X04	ASSIEME PORTATEGLIE 6 2/1	TRAY RACK 6 2/1			j;k;l;n;o;p
120	0CK077	870401Z04	ASSIEME PORTATEGLIE 10 2/1	TRAY RACK 10 2/1			x;y;a1;b1
120	0CBAWT	875404P02	ASSIEME PORTATEGLIE 6 1/1	TRAY RACK 6 1/1			b;c;d;f;g;h;c1 BAKERY
120	*	875404Q02	ASSIEME PORTATEGLIE 10 1/1	TRAY RACK 10 1/1			r;s;u;v BAKERY
120	0CK552	0870402M02	ASSIEME PORTATEGLIE 6 1/1 MARINE	MARINE TRAY RACK 6 1/1			b;c;d;f;g;h;c1 MARINE
120	0CK551	0870402L02	ASSIEME PORTATEGLIE 10 1/1 MARINE	MARINE TRAY RACK 10 1/1			r;s;u;v MARINE
120	0CK553	0870402N02	ASSIEME PORTATEGLIE 6 2/1 MARINE	MARINE TRAY RACK 6 2/1			j;k;l;n;o;p MARINE
120	0CK554	0870402P02	ASSIEME PORTATEGLIE 10 2/1 MARINE	MARINE TRAY RACK 10 2/1			x;y;a1;b1 MARINE
120	0CK86B	0870402702	ASSIEME PORTATEGLIE 6 1/1 P85	TRAY RACK 6 1/1 P85			b;c;d;f;g;h;c1 P85
120	0CK86A	0870402602	ASSIEME PORTATEGLIE 10 1/1 P85	TRAY RACK 10 1/1 P85			r;s;u;v P85
121	0CK667	548402701	COPERCHIETTO MANIGLIA ELUX	ELUX HANDLE COVER			ELECTROLUX
122	0CK220	500406801	MOLLETTA FERMATEGLIE	SPRING STOPPER		X	
123	0CK114	543402500	GUARNIZIONE ASPIRAZIONE ARIA	AIR INLET GASKET		X	
124	0CBD0A	0516400M00	DADO NASELLO	DOOR LATCH NUT		X	
125	0CK195	549401800	VALVOLA SCARICO VASCHETTA	CHECK VALVE		X	
126	0CBAP3	0549802700	MAGNETE IN NEODIMIO 20X5X10	NEODYMIUM MAGNET 20X5X10			
127	0E1331	206004105	ROSETTA	WASHER			
128	0CBCV1	217034405	VITE M6X40	SCREW M6X40			
129	0CK082	805407P02	BARRA LED	LED BAR			
130	0CK9H4	087840BR01	PARETE DI ASPIRAZIONE 6 1/1	SUCTION WALL 6 1/1			b;c;d;f;g;h;c1
130	0CK9H4	087840BR01	PARETE DI ASPIRAZIONE 6 1/1	SUCTION WALL 6 1/1			b;c;d;f;g;h;c1 BAKERY
130	0CK9H5	087840BS01	PARETE DI ASPIRAZIONE 10 1/1	SUCTION WALL 10 1/1			r;s;u;v
130	0CK9H5	087840BS01	PARETE DI ASPIRAZIONE 10 1/1	SUCTION WALL 10 1/1			r;s;u;v BAKERY
130	0CK9H6	087840BT01	PARETE DI ASPIRAZIONE 6 2/1	SUCTION WALL 6 2/1			j;k;l;n;o;p
130	0CK9H7	087840BU01	PARETE DI ASPIRAZIONE 10 2/1	SUCTION WALL 10 2/1			x;y;a1;b1
131	0CK323	04P0187700	BOCCOLA IGUS 'IGLIDUR MCM-12-02'	BUSH IGUS 'IGLIDUR MCM-12-02'		X	
132	0CK703	050340BC01	FIANCO DESTRO	RIGHT SIDE PANEL			b;c;d;f;g;h;c1
132	0CK701	050340BK01	FIANCO DESTRO	RIGHT SIDE PANEL			j;k;l;n;o;p
132	0CK704	050340BD01	FIANCO DESTRO	RIGHT SIDE PANEL			r;s;u;v
132	0CK702	050340BL01	FIANCO DESTRO	RIGHT SIDE PANEL			x;y;a1;b1

SKYLINE 3.0							
Pos	Spare part Code	Factory code	Descrizione	Description	V	W & T	Ref./Notes
133	OCK434	083040MR06	KIT PORTA INCERNIERATA A DESTRA 061 ELUX 3 VETRI	RIGHT HINGED DOOR KIT 3 GLASSES 6/1			c;d;g;h;c1 - ELUX
133	OCK446	083040N306	KIT PORTA INCERNIERATA A DESTRA 061 ZAN 3 VETRI	RIGHT HINGED DOOR KIT 3 GLASSES 6/1			c;d;g;h;c1 - ZAN
133	OCK458	083040NG06	KIT PORTA INCERNIERATA A DESTRA 061 TO BRAND 3 VETRI	RIGHT HINGED DOOR KIT 3 GLASSES 6/1			c;d;g;h;c1 - TO BRAND
133	OCK436	083040MT06	KIT PORTA INCERNIERATA A DESTRA 062 ELUX 3 VETRI	RIGHT HINGED DOOR KIT 3 GLASSES 6/2			k;l;o;p - ELUX
133	OCK448	083040N506	KIT PORTA INCERNIERATA A DESTRA 062 ZAN 3 VETRI	RIGHT HINGED DOOR KIT 3 GLASSES 6/2			k;l;o;p - ZAN
133	OCK460	083040NJ06	KIT PORTA INCERNIERATA A DESTRA 062 TO BRAND 3 VETRI	RIGHT HINGED DOOR KIT 3 GLASSES 6/2			k;l;o;p - TO BRAND
133	OCK438	083040MV06	KIT PORTA INCERNIERATA A DESTRA 101 ELUX 3 VETRI	RIGHT HINGED DOOR KIT 3 GLASSES 10/1			r;s;u;v - ELUX
133	OCK450	083040N706	KIT PORTA INCERNIERATA A DESTRA 101 ZAN 3 VETRI	RIGHT HINGED DOOR KIT 3 GLASSES 10/1			r;s;u;v - ZAN
133	OCK462	083040NL06	KIT PORTA INCERNIERATA A DESTRA 101 TO BRAND 3 VETRI	RIGHT HINGED DOOR KIT 3 GLASSES 10/1			r;s;u;v - TO BRAND
133	OCK440	083040MX06	KIT PORTA INCERNIERATA A DESTRA 102 ELUX 3 VETRI	RIGHT HINGED DOOR KIT 3 GLASSES 10/2			x;y;a1;b1 - ELUX
133	OCK452	083040N906	KIT PORTA INCERNIERATA A DESTRA 102 ZAN 3 VETRI	RIGHT HINGED DOOR KIT 3 GLASSES 10/2			x;y;a1;b1 - ZAN
133	OCK464	083040NN06	KIT PORTA INCERNIERATA A DESTRA 102 TO BRAND 3 VETRI	RIGHT HINGED DOOR KIT 3 GLASSES 10/2			x;y;a1;b1 - TO BRAND
133	OCK470	083040LX06	KIT PORTA INCERNIERATA A SINISTRA 061 ELUX CKM 3V	LEFT HINGED DOOR KIT 3 GLASSES 6/1			c;d;g;h;c1 - ELUX
133	OCK477	083040M506	KIT PORTA INCERNIERATA A SINISTRA 061 ZAN CKM 3V	LEFT HINGED DOOR KIT 3 GLASSES 6/1			c;d;g;h;c1 - ZAN
133	OCK484	083040MD05	KIT PORTA INCERNIERATA A SINISTRA 061 TO BRAND CKM 3V	LEFT HINGED DOOR KIT 3 GLASSES 6/1			c;d;g;h;c1 - TO BRAND
133	OCK472	083040LZ06	KIT PORTA INCERNIERATA A SINISTRA 062 ELUX CKM 3V	LEFT HINGED DOOR KIT 3 GLASSES 6/2			k;l;o;p - ELUX
133	OCK479	083040M705	KIT PORTA INCERNIERATA A SINISTRA 062 ZAN CKM 3V	LEFT HINGED DOOR KIT 3 GLASSES 6/2			k;l;o;p - ZAN
133	OCK486	083040MG05	KIT PORTA INCERNIERATA A SINISTRA 062 TO BRAND CKM 3V	LEFT HINGED DOOR KIT 3 GLASSES 6/2			k;l;o;p - TO BRAND
133	OCK474	083040M107	KIT PORTA INCERNIERATA A SINISTRA 101 ELUX CKM 3V	LEFT HINGED DOOR KIT 3 GLASSES 10/1			r;s;u;v - ELUX
133	OCK480	083040M906	KIT PORTA INCERNIERATA A SINISTRA 101 ZAN CKM 3V	LEFT HINGED DOOR KIT 3 GLASSES 10/1			r;s;u;v - ZAN
133	OCK488	083040MJ06	KIT PORTA INCERNIERATA A SINISTRA 101 TO BRAND CKM 3V	LEFT HINGED DOOR KIT 3 GLASSES 10/1			r;s;u;v - TO BRAND
133	OCK476	083040M307	KIT PORTA INCERNIERATA A SINISTRA 102 ELUX CKM 3V	LEFT HINGED DOOR KIT 3 GLASSES 10/2			x;y;a1;b1 - ELUX
133	OCK482	083040MB06	KIT PORTA INCERNIERATA A SINISTRA 102 ZAN CKM 3V	LEFT HINGED DOOR KIT 3 GLASSES 10/2			x;y;a1;b1 - ZAN
133	OCK490	083040ML07	KIT PORTA INCERNIERATA A SINISTRA 102 TO BRAND CKM 3V	LEFT HINGED DOOR KIT 3 GLASSES 10/2			x;y;a1;b1 - TO BRAND
134	OCK356	0855408601	ASS. VETRO INTERMEDIO PORTA	DOOR MIDDLE GLASS ASS.Y			c;d;g;h;c1 - right hinged
134	OCK357	0855408701	ASS. VETRO INTERMEDIO PORTA	DOOR MIDDLE GLASS ASS.Y			r;s;u;v - right hinged
134	OCK358	0855409801	ASS. VETRO INTERMEDIO PORTA	DOOR MIDDLE GLASS ASS.Y			k;l;o;p - right hinged
134	OCK359	0855409901	ASS. VETRO INTERMEDIO PORTA	DOOR MIDDLE GLASS ASS.Y			x;a1 - right hinged
134	OCK879	085540D300	ASS. VETRO INTERMEDIO PORTA	DOOR MIDDLE GLASS ASS.Y			c;d;g;h;c1 - left hinged
134	OCK88A	085540D400	ASS. VETRO INTERMEDIO PORTA	DOOR MIDDLE GLASS ASS.Y			r;s;u;v - left hinged
134	OCK88B	085540D500	ASS. VETRO INTERMEDIO PORTA	DOOR MIDDLE GLASS ASS.Y			k;l;o;p - left hinged

SKYLINE 3.0

Pos	Spare part Code	Factory code	Descrizione	Description	V	W & T	Ref./Notes
134	0CK88C	085540D600	ASS. VETRO INTERMEDIO PORTA	DOOR MIDDLE GLASS ASS.Y			x;y;a1;b1 - left hinged
135	0CK351	0543403D00	ASS. GUARNIZIONE VETRO INTERMEDIO	MIDDLE GLASS GASKET ASS.Y		X	c;d;g;h;c1
135	0CK352	0543403F00	ASS. GUARNIZIONE VETRO INTERMEDIO	MIDDLE GLASS GASKET ASS.Y		X	r;s;u;v
135	0CK353	0543403G00	ASS. GUARNIZIONE VETRO INTERMEDIO	MIDDLE GLASS GASKET ASS.Y		X	k;l;o;p
135	0CK355	0543403H00	ASS. GUARNIZIONE VETRO INTERMEDIO	MIDDLE GLASS GASKET ASS.Y		X	x;y;a1;b1
137	0CK9IC	083040V400	SONDA CELLA SUPERIORE	UPPER CAVITY PROBE	X		
*	0CK857		KIT SENSORE TEMPERATURA	TEMPERATURE SENSOR KIT			
138	0CK648	0598403Q01	ETICHETTA GPSAC	GPSAC LABEL			d;h;l;p;s;v;y; b1;c1
139	0CK654	541403200	PROTEZIONE VALVOLA VASCHETTA	CHECK VALVE PROTECTION			
140	0CK671	051440A901	PERNO PARETE ASPIRAZIONE E SUPPORTO TEGLIE	SUCTION WALL PIN			
141	0CK672	0514404V03	BOCCOLA INF. PARETE ASPIRAZIONE	SUCTION WALL LOWER BUSH			
142	0CK683		GRUPPO MOBILE DI AGGANCIO	LOCKING MECHANISM			
144	0CK691	0800401B02	CERNIERA X VETRO INTERNO PORTE	DOOR INNER GLASS HINGE			
145	0CK86H	506407C00	SUPPORTO SPILLONE	FOOD PROBE SUPPORT			b;c;d;f;g;h; j;k;l;n;o;p; x;y;c1
145	0CK86H	506407C00	SUPPORTO SPILLONE	FOOD PROBE SUPPORT			r;s;u;v BAKERY
145	0CK9F9	506409X00	SUPPORTO SPILLONE	FOOD PROBE SUPPORT			r;s;u;v
146	0CBCCS	218300800	DADO ESAGONALE CIECO M10	NUT M10		X	Marine
147	0CBAOZ	510400300	MANIGLIA A LEVA	HANDLE		X	Marine
148	0TT052	206006195	ROSETTA PIANA 10,5X21X2	WASHER 10,5X21X2		X	Marine
149	0CK897	51440AB00	MOLLA FERMO PORTA	DOOR STOPPER SPRING		X	Marine
150		206400100	ROSETTA PIANA 11X30	WASHER 11X30		X	Marine
151	0CK898	544403F00	BOCCOLA SCORRIMENTO	BUSH		X	Marine
152	0CK9AD	51440AA00	PERNO FILETTATO	THREADED PIN		X	Marine
153	0CK899	544403D00	BOCCOLA PERNO	BUSH		X	Marine
154		50340AW00	DISCO DI FISSAGGIO	FIXING DISC		X	Marine
155	0TH075	218526105	DADO ESAGONALE M10X8	NUT M10X8		X	Marine
156	0CK9AE	512400600	GUIDA DI SCORRIMENTO	SLIDING GUIDE		X	Marine
157	0L2816	218575195	DADO CIECO A CALOTTA M8	NUT M8		X	Marine
158	0CK9AA	544403G00	BOCCOLA PERNO DI SCORRIMENTO	SLIDING BUSH		X	Marine
159	027019	218525105	DADO ESAGONALE M8X6,5	NUT M8X6,5		X	Marine
160	0CBCCCT	217544165	VITE TSP CROCE M6X16	SCREW M6X16		X	Marine
161	0CK9AB	50040B000	STAFFA SUPERIORE	UPPER BRACKET		X	Marine
162	0CK9AC	50040B100	STAFFA INFERIORE	LOWER BRACKET		X	Marine
163	0TH077	218574005	DADO ESAGONALE M6	NUT M6		X	Marine
164	0CBCCU	217894600	BULLONE TTL M8X40	BOLT M8X40		X	Marine
170	0CK9GF	83040BA01	GRIGLIA PARETE ASPIRAZIONE	SUCTION WALL GRID			
171	0TTMWX	083040QR00	KIT RICAMBIO CORNICE PORTA DX 61 ELUX 3 VETRI (+ pos. 106-109-126-131-144)	RIGHT DOOR FRAME 61 ELUX 3 GLASSES KIT (+ pos. 106-109-126-131-144)	X		c;d;g;h;c1 - ELUX RIGHT

SKYLINE 3.0							
Pos	Spare part Code	Factory code	Descrizione	Description	V	W & T	Ref./Notes
200	0CK161	541401D01	PROTEZIONE SCHEDA USER	USER INTERFACE COVER			
201	0CK037	638404D00	CAVO PROLUNGA USB	USB PROLONG		X	b;c;f;g;j;k;n;o;r;u;x;a1
201		638405P00	CAVO PROLUNGA USB	USB PROLONG		X	d;h;l;p;s;v;y;b1;c1
202	0CK041	546400V01	SPORTELLINO USB	USB WINDOW		X	
203	0CK040	543401N01	CRUSCOTTO PLASTICA TOUCH	PLASTIC FRAME TOUCH			b;c;f;g;j;k;n;o;r;u;x;a1
204	0CK144	541401F03	MEMBRANA TOUCH ELECTROLUX CON BOILER	ELECTROLUX TOUCH MEMBRANE WITH BOILER		X	f;g;n;o;u;a1
204	0CK298	541402502	MEMBRANA TOUCH ELECTROLUX SENZA BOILER	ELECTROLUX TOUCH MEMBRANE WITHOUT BOILER		X	b;c;j;k;r;x
204	0CK299	541401U04	MEMBRANA TOUCH ZANUSSI CON BOILER	ZANUSSI TOUCH MEMBRANE WITH BOILER		X	f;g;n;o;u;a1
204	0CK300	541402704	MEMBRANA TOUCH ZANUSSI SENZA BOILER	ZANUSSI TOUCH MEMBRANE WITHOUT BOILER		X	b;c;j;k;r;x
204	0CK332	541401V02	MEMBRANA TOUCH TO BRAND	TO BRAND TOUCH MEMBRANE		X	b;c;f;g;j;k;n;o;r;u;x;a1
204	0TTLG9	541402S01	MEMBRANA TOUCH DIAMOND	DIAMOND TOUCH MEMBRANE		X	c;g;r;u
204	0CK9AJ	541403F00	MEMBRANA TOUCH ENGEFOOD	ENGEFOOD TOUCH MEMBRANE		X	b;c;f;g;j;k;n;o;r;u;x;a1
205	0CK9GW	675403S00	ACU -SCHEDA POWER	ACU-POWER BOARD	X		
206	0CK034	673400900	DISPLAY 7"	DISPLAY 7"	X		b;c;f;g;j;k;n;o;r;u;x;a1
206a	0CK9GS		CAVETTO FLAT 40 POS. L.51MM 98	DISPLAY CABLE WIRES 40 POS. L.51MM 98	X		
207	0CK033	675401G00	SCHEDA ON/OFF	ON/OFF BOARD	X	X	
208	0CK036	675401J01	SCHEDA BRIDGE	BRIDGE BOARD	X		b;c;f;g;j;k;n;o;r;u;x;a1
208a	0CK88X	675403L01	SCHEDA CORE	CORE BOARD DAVE	X		
*	0CK674	675403M00	MICROSD HC 8GB CL4 SANDISK	MICROSD HC 8GB CL4 SANDISK			
209	0CK039	655400000	ALTOPARLANTE	SPEAKER		X	b;c;f;g;j;k;n;o;r;u;x;a1
211	0CK199	682400G00	VENTILATORE RAFFREDDAMENTO	COOLING FAN		X	
212	0CK9F6	0646400P00	TERMOSTATO SICUREZZA CELLA	CAVITY SAFETY THERMOSTAT	X		
213a	0CK9ID	0646400Q00	KLIXON	BOILER SAFETY THERMOSTAT	X		
213b	0CBAWQ	0638407C01	CABLAGGIO TERMOSTATO BOILER	BOILER SAFETY THERMOSTAT WIRING	X		
214	0CK643	675403K00	SMPS ALIM. SWITCHING 24V	SWITCHING FEEDER 24V	X		
215	096342	648R11400	SMPS ALIM. SWITCHING 12V	SWITCHING FEEDER 12V	X		
216	0CK030	546400U01	SUPPORTO USB	USB CAGE			
217	0CK225	694400L00	FILTRO TOROIDALE	TOROIDAL FILTER			b;c;d;f;g;h;r;s;u;v;c1
217	0CK259	694400M00	FILTRO TOROIDALE	TOROIDAL FILTER			j;k;l;n;o;p;x;y;a1;b1
218	0CK168	657400201	SONDA LAMBDA	LAMBDA PROBE		X	
219	0CBAQH	835405G00	RELE' STATO SOLIDO 50A + PASTIGLIA TERMICA	SOLID STATE RELAY 50A + THERMAL PAD	X		b;c;d;f;g;h;c1 - all j;k;l;n;o;p;r;s;u;v 380-400-415-440-460-480V
219	0CBAQI	835405H00	RELE' STATO SOLIDO 90A + PASTIGLIA TERMICA	SOLID STATE RELAY 90A + THERMAL PAD	X		x;y;a1;b1 - all j;k;l;n;o;p;r;s;u;v 220-240V
220	0CK208	646400C02	SONDA NTC DISSIPATORE CELLA	NTC PROBE HEAT SINK-CAVITY	X	X	
221	0TTMGT	0638404V01	CABLAGGIO COMUNICAZIONE UI-ACU	UI-ACU COMMUNICATION CABLE	X		

SKYLINE 3.0

Pos	Spare part Code	Factory code	Descrizione	Description	V	W & T	Ref./Notes
222	0CK9EN	0694401G00	FILTRO CAPACITIVO UL "STELLA"	UL STAR CONNECTION CAPACITIVE FILTER		X	208V-480V USA
223	0CK9ES	0543402Y00	GUARNIZIONE CORNICE IN PLASTICA	PLASTIC FRAME GASKET			Order 2 pcs
224	0CK107	694400N00	FILTRO TRIFASE	3-PHASE FILTER		X	
225	0CK424	675403H00	INVERTER	INVERTER	X		
226	0CK660	694400Y00	FILTRO EMC	EMC FILTER		X	
226	0CK260	694400S00	FILTRO EMC	EMC FILTER		X	AUS/MARINE
226	0CK9EL	694401C00	FILTRO EMC	EMC FILTER		X	208V-480V USA
227	0CK705	648401300	RELE'	RELAY	X	X	
227	0CK706	648401400	RELE'	RELAY	X	X	208V;USA
228	0CK209	646400D01	SONDA NTC DISSIPATORE BOILER	NTC PROBE HEAT SINK-BOILER	X	X	
229	0L3360	63962B400	PORTA FUSIBILI (PEZZO SINGOLO)	FUSE HOLDER (SINGLE PIECE)	X	X	EU
229	0CK406	63962D800	PORTA FUSIBILI (PEZZO SINGOLO)	FUSE HOLDER (SINGLE PIECE)	X	X	USA
229	0CBB0Z	652400H00	PORTA FUSIBILI (PEZZO SINGOLO)	FUSE HOLDER (SINGLE PIECE)	X	X	MARINE
230	0CK218	638404L00	MORSETTO PHOENIX PT6 (PEZZO SINGOLO)	PHOENIX CLAMP PT6 (SINGLE PIECE)	X	X	b;c;d;f;g;h;c1 - all r;s;u;v - 400-380-415-460-480;V
230	0CK249	638404M00	MORSETTO PHOENIX PT16(PEZZO SINGOLO)	PHOENIX CLAMP PT16 (SINGLE PIECE)	X	X	j;k;l;n;o; p;x;y;a1;b1 - all r;s;u;v - 200-208-220-230-240V
231	0CK231	648400W00	CONTATTORE K318-ND	CONTACTOR K318-ND	X	X	b;c;d;f;- g;h;r;s;u;v;c1 - 400-460-480V
231	0CK290	648400X00	CONTATTORE K3 32 A00	CONTACTOR K3 32 A00	X	X	b;c;d;f;g;h;c1 - 200-208-230;V j;k;l;n;o;p - 400-460-480;V
231	0CK291	648400Y00	CONTATTORE K3 40 A00	CONTACTOR K3 40 A00	X	X	j;k;l;n;o;p; r;s;u;v;x;y; a1;b1 - 200-208-230V x;y;a1;b1 - 400V
232	0CK219	639401502	MORSETTIERA 10 mm2 3F+N+F	MAIN TERMINAL BLOCK 10 mm2 3F+N+F			b;c;d;f;- g;h;r;s;u;v - 400;V
232	0CK305	639401402	MORSETTIERA 16 mm2 3F+N+F	MAIN TERMINAL BLOCK 16 mm2 3F+N+F			j;k;l;n;o;p - 400V
232	0CK306	639401803	MORSETTIERA 35 mm2 3F+N+F	MAIN TERMINAL BLOCK 35 mm2 3F+N+F			x;y;a1;b1 - 400V
232	0CK9EJ	639401N02	MORSETTIERA 70 mm2	MAIN TERMINAL BLOCK 70 mm2			x;y;a1;b1 - 208V
232	0CK9EI	639401R01	MORSETTIERA 50 mm2	MAIN TERMINAL BLOCK 50 mm2			b;c;d;f;g; h;j;k;l;n;o; p;r;s;u;v;c1 - 208V
232	0CK9EK	639403A00	MORSETTIERA 16 mm2 3F+F	MAIN TERMINAL BLOCK 16 mm23F+F			b;c;d;f;g; h;r;s;u;v;c1 460-480V
232	0CK9EK	639403A00	MORSETTIERA 16 mm2 3F+F	MAIN TERMINAL BLOCK 16 mm23F+F			j;k;l;n;o;p - 460-480V
232	0CK018	639401T02	MORSETTIERA 35 mm2 3F+F	MAIN TERMINAL BLOCK 35 mm2 3F+F			x;y;a1;b1 - 460-480V
232	0CK016	639401P01	MORSETTIERA 10 mm2 3F+F(PE)	MAIN TERMINAL BLOCK 10 mm2 3F+F(PE)			d;g;h;c1 220-240V

SKYLINE 3.0

Pos	Spare part Code	Factory code	Descrizione	Description	V	W & T	Ref./Notes
232	0CK018	639401T02	MORSETTIERA 35 mm2 3F+F	MAIN TERMINAL BLOCK 35 mm2 3F+F			x;y;a1;b1 - 220-240V
232	0CK017	0639401S01	MORSETTIERA 35 mm2	MAIN TERMINAL BLOCK 35 mm2			r;s;u;v 220-240V j;k;l;n;o;p; x;y;a1;b1; 380/400/415/ 440/460/480
232	0CK9N0	639402301	MORSETTIERA 16 mm2 3F+F	MAIN TERMINAL BLOCK 16 mm2 3F+F			j;k;l;n;o;p; 380/400/415/ 440/460/480
233	0CK685	83040PL01	ASSIEME USER TOUCH	USER INTERFACE ASSEMBLY TOUCH	X		b;c;f;g;j; k;n;o;r; u;x;a1
234	0CK86G	830409605	ASSIEME USER DIGIT	USER INTERFACE ASSEMBLY DIGIT	X		d;h;l;p;s;v;y; b1;c1
235	0C5239	652806000	FUSIBILE 5X20 4A ST520240	FUSE 5X20 4A ST520240	X	X	EU - US;480V
235	0CC014	0652400J00	FUSIBILE T 4.0A 5X20 250V CERAMICO OMEGA GT520240 (WEBER 0121400)	CERAMIC FUSE 4.0A 5X20 250V OMEGA GT520240 (WEBER 0121400)			440V MARINE
235	0CK727	0652400L00	FUSIBILE T 6.3A 6.3X32 500V CERAMICO WEBER 0308205 (OMEGA GT632263)	CERAMIC FUSE 6.3A 6.3X32 500V WEBER 0308205 (OMEGA GT632263)			440V MARINE
235	0CK727	0652400L00	FUSIBILE T 6.3A 6.3X32 500V CERAMICO WEBER 0308205 (OMEGA GT632263)	CERAMIC FUSE 6.3A 6.3X32 500V WEBER 0308205 (OMEGA GT632263)	X	X	US;480V
235	0L3435	0652608D00	FUSIBILE CERAMICO 5X20 250V 6.3 A T RITARDATO/OMEGA GT520263	DELAYED CERAMIC FUSE 5X20 250V 6.3 A T OMEGA GT520263	X	X	440V MARINE
235	0L3435	0652608D00	FUSIBILE CERAMICO 5X20 250V 6.3 A T RITARDATO/OMEGA GT520263	DELAYED CERAMIC FUSE 5X20 250V 6.3 A T OMEGA GT520263	X	X	EU - US
236	0CK032	514405001	MOLLA SPORTELLINO	SPRING		X	
237	0CK038	638404F02	CAVETTO RECOVERY	RECOVERY CABLE		X	
238	0CK292	541401G04	MEMBRANA DIGIT ELECTROLUX CON BOILER	ELECTROLUX DIGIT MEMBRANE WITH BOILER		X	d;l;s;y
238	0CK301	541402603	MEMBRANA DIGIT ELECTROLUX SENZA BOILER	ELECTROLUX DIGIT MEMBRANE WITHOUT BOILER		X	h;p;v;b1;c1
238	0CK302	541401W03	MEMBRANA DIGIT ZANUSSI CON BOILER	ZANUSSI DIGIT MEMBRANE WITH BOILER		X	d;l;s;y
238	0CK303	541402804	MEMBRANA DIGIT ZANUSSI SENZA BOILER	ZANUSSI DIGIT MEMBRANE WITHOUT BOILER		X	h;p;v;b1;c1
238	0CK333	541401X02	MEMBRANA DIGIT TO BRAND CON BOILER	TO BRAND DIGIT MEMBRANE WITH BOILER		X	d;l;s;y
238	0CK334	541402A02	MEMBRANA DIGIT TO BRAND SENZA BOILER	TO BRAND DIGIT MEMBRANE WITHOUT BOILER		X	h;p;v;b1;c1
238	*	541402U01	MEMBRANA DIGIT DIAMOND CON BOILER	DIAMOND DIGIT MEMBRANE WITH BOILER		X	d;s
238	*	541402T01	MEMBRANA DIGIT DIAMOND SENZA BOILER	DIAMOND DIGIT MEMBRANE WITHOUT BOILER		X	h;v
238	0CK9AK	541403G00	MEMBRANA DIGIT ENGEFOOD SENZA BOILER	ENGEFOOD DIGIT MEMBRANE WITHOUT BOILER		X	h;p;v;b1;c1
239	0CK043	543401Q02	CRUSCOTTO PLASTICA DIGIT	PLASTIC FRAME DIGIT			d;h;l;p;s;v;y; b1;c1
240	0CK044	675401P02	SCHEDA USER DIGIT	DIGIT USER BOARD	X		d;h;l;p;s;v;y; b1;c1
241	0L5257	675403P00	SCHEDA TIGER	TIGER BOARD		X	
241a	0CBAR1	541403H00	SUPPORTO SCHEDA TIGER	TIGER IOT MODULE PLASTIC SUPPORT		X	
242	0CK045	675401Q00	CAVETTO ON/OFF TOUCH	ON/OFF CABLE TOUCH		X	b;c;f;g;j;k;n;o;r; u;x;a1
242	0CK329	675402K00	CAVETTO ON/OFF DIGIT	ON/OFF CABLE DIGIT		X	d;h;l;p;s;v;y; b1;c1
243	0CK254	646400A00	SONDA TEMPERATURA COMPONENTI	NTC COMPONENT TEMPERATURE PROBE	X	X	
244	0CK330	675401L00	CAVETTO CONNESSIONE SPEAKER	WIRING SPEAKER		X	b;c;f;g;j;k;n;o;r; u;x;a1

SKYLINE 3.0

Pos	Spare part Code	Factory code	Descrizione	Description	V	W & T	Ref./Notes
245	0CK622	546401700	TASTO PER TASTIERA DIGIT 13X13 H11.4MM	LIGHTED PUSH-BUTTON 13X13 H11.4MM			d;h;l;p;s;v;y; b1;c1
246	0CB910	638406L00	CAVO ETHERNET RJ45 M-M CAT.5E SCHERMATO L=1000MM	ETHERNET CABLE RJ45 M-M CAT.5E L=1000MM			b;c;f;g;j;k n;o;r;u;x;a1 Peer to peer
247	0CB911	639402900	GIUNTO RJ45 - VS-08-BU-RJ45/BU - PHOENIX 1689064	CONNECTION RJ45 - VS-08-BU-RJ45/BU - PHOENIX 1689064			b;c;f;g;j;k n;o;r;u;x;a1 Peer to peer
248	0CK668	546813700	TASTO PER TASTIERA DIGIT 21X21 H11.4MM	LIGHTED PUSH-BUTTON 21X21 H11.4MM			d;h;l;p;s;v;y; b1;c1
249	0CB909	0544403Q00	CONTRODADO M25 ELEKTROZUBEHOR 171541	NUT M25 ELEKTROZUBEHOR 171541			b;c;f;g;j;k n;o;r;u;x;a1 Peer to peer
250	0CB907	050440HD00	SUPPORTO CONNETTORE RJ45 PAS-SANTE	CONNECTOR SUPPORT RJ45			b;c;f;g;j;k n;o;r;u;x;a1 Peer to peer
251	0CB908	0544403P00	PRESSACAVO RJ45 M25 ELEKTROZUBEHOR 197939	CABLE GLAND RJ45 M25 ELEKTROZUBEHOR 197939			b;c;f;g;j;k n;o;r;u;x;a1 Peer to peer
252	0CK9MO	0638407W00	CAVETTO ACU-INVERTER	ACU-INVERTER COMM.CABLE X27-J2			

SKYLINE 3.0

Pos	Spare part Code	Factory code	Descrizione	Description	V	W & T	Ref./Notes
300	0CK9IE	686400700	POMPA LAVAGGIO 220-240V 50/60HZ	CLEANING PUMP 220-240V 50/60HZ	X		
301	0CK726	51440AW00	EXTENSION FOR ISG & CLEANING INLET	ESTENSIONE PER ISG			
302	0CK9MA	0569401G00	GUARNIZIONE IN GRAFITE	GRAPHITE WASHER		X	
303a	0CK9B8	83040HS01	ASS. ELETTROVALVOLA	SOLENOID VALVE ASSEMBLY	X		d;f;g;l;n; o;s;u;y;a1
303b	0CK9B9	83040HU01	ASS. ELETTROVALVOLA	SOLENOID VALVE ASSEMBLY	X		b;c;h;j;k; p;r;v;x;b1
304	0CK182	541401S01	TEGOLO RACCOGLI CONDENZA	FRONT GUTTER			
305	0CK9IG	83040SX00	GRUPPO ELETTROVALVOLE RM1400	SOLENOID VALVES GROUP RM1400	X		- USA all - f;g;n;o; u;a1 - d;l;s;y P85 - I ELUX 415-440V - ENGEFOOD
305a	0CK9IH	83040SY00	GRUPPO ELETTROVALVOLE RM1300	SOLENOID VALVES GROUP RM1300	X		- b;c;h;j;k;p;r;v; x;b1;c1 (except USA) - d;l;s;y;(except P85) - d;s;y ELUX 415-440V
306	0CK9II	083040SM00	FLUSSIMETRO	FLOW METER ASSEMBLY	X		
307	0CK9IJ	0541402G00	PROTEZIONE GRUPPO ELETTROVALVOLE RM1400	SOLENOID VALVES GROUP RM1400 PROTECTION	X		- USA all - f;g;n;o; u;a1 - d;l;s;y P85 - I ELUX 415-440V - ENGEFOOD
307a	0CK9GR	0541402J00	PROTEZIONE GRUPPO ELETTROVALVOLE RM1300	SOLENOID VALVES GROUP RM1300 PROTECTION			- b;c;h;j;k;p;r;v; x;b1;c1 (except USA) - d;l;s;y;(except P85) - d;s;y ELUX 415-440V
308	0CK709	518401A00	FASCETTA BIFILARE DIA 21 MM	CLAMP DIAM 21 MM			
309	0CK228	696400L01	ELETTROVALVOLA	SOLENOID VALVE	X		
310	0CK9IK	544404H00	MANICOTTO MANDATA POMPA NBR	NBR PUMP EXIT MANIFOLD	X		
311	0CK9IL	544404G00	MANICOTTO ASPIRAZIONE POMPA NBR	NBR PUMP INLET MANIFOLD	X		
312	0CK749	83040QG06	KIT DOCCETTA INTEGRATA	INTEGRATED SHOWER KIT			b;c;d;h;j;k; l;p;r;s;v;x; y;b1;c1
312	0CK749	83040QG06	KIT DOCCETTA INTEGRATA	INTEGRATED SHOWER KIT			b;c;d;h;j;k; l;p;r;s;v;x; y;b1;c1 AUS
313	0CK087	541402F01	CILINDRO PASTIGLIE	CYLINDER FOR TABS		X	
314	0CK9IM	83040SR00	CONDUTTURE CLEANING SYSTEM 6 1/1	CLEANING SYSTEM PIPING 6 1/1			b;c;d;f;g;h;c1
314	0CK9IN	83040ST00	CONDUTTURE CLEANING SYSTEM 10 1/1	CLEANING SYSTEM PIPING 10 1/1			r;s;u;v
314	0CK9IO	83040SS00	CONDUTTURE CLEANING SYSTEM 6 2/1	CLEANING SYSTEM PIPING 6 2/1			j;k;l;n;o;p
314	0CK9IP	83040SU00	CONDUTTURE CLEANING SYSTEM 10 2/1	CLEANING SYSTEM PIPING 10 2/1			x;y;a1;b1
315	0CBCKO	051540C700	PORTAGOMMA	HOSE FITTING			
316	0CK9IQ	544404Y00	MANICOTTO SCARICO BOILER	BOILER DRAIN MANIFOLD	X	X	b;c;d;f;g;h; j;k;l;n;o;p; x;y;a1;b1;c1
316a	0CK9ML	0544405000	MANICOTTO SCARICO BOILER	BOILER DRAIN MANIFOLD	X	X	r;s;u;v
318	0CK874	0544403U01	ASS. CONDUTTURA SCARICO CONDENZA GN 2/1	CONDENSATE DRAIN PIPE GN 2/1			j;k;l;n;o;p; x;y;a1;b1
318	0CK708	80540GM00	ASS. CONDUTTURA SCARICO CONDENZA GN 1/1	CONDENSATE DRAIN PIPE GN 1/1			b;c;d;f;g; h;r;s;u;v;c1
320	0CK873	541403B00	CARTER COPERTURA FONDO	CARTER BOTTOM COVER			

SKYLINE 3.0

Pos	Spare part Code	Factory code	Descrizione	Description	V	W & T	Ref./Notes
321	0CK178	546400W01	SUPPORTO SCORRIMENTO DOCCETTA	SHOWER HOSE SUPPORT SLIPPING			
322	0CK203	542400001	VASCHETTA RACCOGLI CONDENSA GN 1/1	FRONT DRIP TRAY GN 1/1			b;c;d,f,g; h;r;s;u;v;c1 Ass.y 0CK196
322	0CK202	542400101	VASCHETTA RACCOGLI CONDENSA GN 2/1	FRONT DRIP TRAY GN 2/1			j;k;l;n;o;p; x;y;a1;b1 Ass.y 0CK197
323	0CB250	689400001	VALVOLA SCARICO BOILER	BOILER DRAIN VALVE	X		EU-JAPAN
323	0CB251	689400500	VALVOLA SCARICO BOILER	BOILER DRAIN VALVE	X		USA
323a	0CBCKC	515406000	PORTAGOMMA 3/4"	HOSE FITTING 3/4"			
324	0CK427	541402Z00	PANNELLO FACCIATA INFERIORE				
325	0CK9IR	544404J00	MANICOTTO A GOMITO SCARICO CELLA NBR	NBR MANIFOLD	X		
326	0CK9IS	083040SP01	ASSIEME CAMINO ABBATTITORE	STEAM EXHAUST PIPE			b;c;d,f,g; h;j;k;l;n;o;p;c1
326	0CK9IT	083040SQ01	ASSIEME CAMINO ABBATTITORE	STEAM EXHAUST PIPE			r;s;u;v;x; y;a1;b1
327	0CK9L6		CONDENSATORE 4 MF	CAPACITOR 4 MF	X		
328	0CK155	514407S00	PIOLO SCARICO CONDENSA PORTA	CONDENSATE DOOR DRAIN STUD			
329	0CK193	689400700	VALVOLA MOTORIZZATA 1"	MOTORIZED BALL VALVE 1"	X		
330	0CK138	544401V02	MANICOTTO COLLEGAMENTO CAMINO	RUBBER MANIFOLD	X		
331	0CK86W	0835407C02	DOCCETTA	WATER SPRAY GUN			- f;g;n;o all - o;u;a1 all - b;c;d;h;c1 60 Hz - j;k;l;p 60 Hz - r;s;v 60 Hz - x;y;b1 60 Hz - h;u;v;c1 ENGEFOOD
331	0CK86W	0835407C02	DOCCETTA	WATER SPRAY GUN			d;h;l;p;s;v;y; b1;c1 AUS
333	0CK073	805409V01	ASS. COLLETTORE SCARICO AIRBREAK	AIRBREAK DRAIN ASSEMBLY	X		
*	0CK858		KIT SONDA TEMP. ABBATTITORE FUMANE	STEAM QUENCHING TEMP. PROBE KIT			
334	0CK100	835405P00	FASCETTA A MOLLA FBS HC 38/12	SPRING CLAMP FBS HC 38/12			
335	0C8316	0830401G00	ASS. TUBO ALIM. ACQUA WRAS COLORE GRIGIO CON FILTRO	GREY HOSE WITH FILTER			
336	0CK9IU	544404K00	MANICOTTO SCARICO AIRBREAK	AIRBREAK DRAIN MANIFOLD	X		
337	0CK9IV	050440L100	FILTRO SUPPORTO DETERGENTE	DETERGENT HOLDER FILTER			
338	0CK206	544402Z00	TUBO SILICONE	SILICON HOSE			
340	0CK9IW	0653400F00	SONDA NTC SICUREZZA	SAFETY NTC PROBE	X		
341	0CK304	0835405Q00	ASSIEME FASCETTA FBS HC 24/12	SPRING CLAMP FBS HC 24/12 ASSEMBLY			
342	0CK191	0544402Y00	TUBO SCARICO BOILER	BOILER DRAIN HOSE	X		b;c;d,f,g,h; j;k;l;n;o;p; x;a1;b1;c1
342	0CK9N1	0544404Z00	TUBO SCARICO BOILER	BOILER DRAIN HOSE	X		r;s,u,v
344	0C5829	544819400	TUBO EPDM BLU	EPDM BLUE HOSE			
345	0CK192	544401Y00	TUBO SILICONE RETINATO	SILICONE HOSE REINFORCED			
346	0CK046	0544403300	TUBO ESTRUSO NBR 10X17	NBR HOSE 10X17			
348	047578	518604001	FASCETTA TORRO SW1 25-40/9 IVP	CLAMP SW1 25-40/9 IVP			
349	0L3736	640613Q00	SENSORE REED CASSETTO PASTIGLIE	TABS DRAWER REED SENSOR			
351	0CK007	654400300	SENSORE REED PORTA DX	RIGHT DOOR REED SENSOR	X		L = 470 mm
351	0CK384	654400500	SENSORE REED PORTA SX	LEFT DOOR REED SENSOR	X		L=1100 mm
352	0CK655	542400D00	SUPPORTO PASTIGLIE	TABS HOLDER			
353	0CK246	514406V01	MOLLA TAPPO	CUP SPRING			
354	0CK656	543403W01	GUARNIZIONE TAPPO	CUP GASKET			

SKYLINE 3.0

Pos	Spare part Code	Factory code	Descrizione	Description	V	W & T	Ref./Notes
355	0TH068	0218163005	DADO AUTOBLOC. M5 H6.8 AISI 304 DIN 982 LUBRIFICATO	NUT M5 H6.8 AISI 304 DIN 982			
356	0CK645	80540GG00	TAPPO FISSO	FIX CUP			
357	0CK322	80540DK04	ASSIEME TAPPO SERBATOIO CHIMICA	CUP TANK ASSEMBLY			
359	0CK669	001541900	RONDELLA INOX (5X15X1,5)	INOX WASHER (5X15X1,5)			
360	0CK9IX	835407P00	FASCETTA A MOLLA FBS HC 32/12	SPRING CLAMP FBS HC 32/12			
361	0S1279	0P.P313.00.00	SEEGER PER MINIREEL (PER FORO d. 28)	SEEGER diam. 28 mm			
362	0CK88S	546401N01	RACCORDO A Y PORTAGOMMA ELDON JAMES 3/8	THREE WAYS FITTING			
363	0CBAJ9	P666	O-RINGS KIT	O-RINGS KIT			
364	0CK429	0R.F193	TUBO FLESSIBILE EPDM d.6x12mm	HOSE WITH O-RINGS AND COUPLINGS			d.6x12mm, length1.35 mt
365	0CK430	0R.P470	MOLLA SAGOMATA	SPRING			
366	0CBAJ8	080540H200	TESTA DOCCIA	SPRAY VALVE			
367	0CK600	544401S01	COLLETORE RPE DN19 CON FILTRO 3/4"	COLLECTOR			
369	0CK9B3	080540J200	ASS. RACCORDO 3/4" INGRESSO ACQUA	DOUBLE CHECK VALVE ASSEMBLY		X	
370	0CK872	0639721300	CAVALLOTTO				j;k;l;n;o;p; x;y;a1;b1
371	0C5385	835872300	FASCETTA NORMACLAMP COBRA DN 16X8	CLAMP COBRA DN 16 X 8			
372	0PRRXL	080540HY00	ASS. TUBO INGRESSO	INLET HOSE ASSEMBLY			
373	0L0674	080540H100	ASSIEME RACCORDO PINTOSI 90°	90° FITTING ASSEMBLY			
375	0CK9IY	050440M100	STAFFA POMPA E GUIDA CONDUTTURA	PUMP BRACKET AND PIPE GUIDE			
376	094193	0518707700	VITE M6X16 A TESTA FLANGIATA DENTELLATA ZN/CR	SCREW M6X16			
377	0CK9IZ	0835405M00	FASCETTA A MOLLA CON PREFIX FBS HC 17/12	SPRING CLAMP FBS HC 17/12			
378	0C5564	0510828000	PORTAGOMMA 1/4' PER TUBO DIA 10	HOSE FITTING 1/4'			
379	0CK9J0	051440CF00	UGELLO AISI 303 AT 1/4F FIS 3/8M	NOZZLE AISI 303 AT 1/4F FIS 3/8M			

SKYLINE 3.0							
Pos	Spare part Code	Factory code	Descrizione	Description	V	W & T	Ref./Notes
400	0CK9MB	083040W100	KIT BOILER 6 1/1	KIT BOILER 6 1/1	X		d,f,g
400	0CK9MC	083040W300	KIT BOILER 6 2/1	KIT BOILER 6 2/1	X		l;n;o
400	0CK9MD	083040W200	KIT BOILER 10 1/1	KIT BOILER 10 1/1	X		s;u
400a	0CK9ME	083040W400	KIT BOILER 10 2/1	KIT BOILER 10 2/1	X		y;a1
401	0CK9J1	549401R00	SONDE LIVELLO ACQUA	WATER LEVEL SENSORS	X		
402	0CK147	514406Q00	MOLLA	SPRING			
403	0CK9J2	0543404X00	GUARNIZIONE RESISTENZA BOILER	BOILER HEATING ELEMENT GASKET	X	X	d,f,g;l;n;o; s;u;y;a1
404	0CK9J3	0617404K01	RESISTENZA BOILER 208V 9000W	BOILER HEATING ELEMENT 208V 9000W	X		d,f,g 208V 9000W
404	0CK9J4	0617404L01	RESISTENZA BOILER 240V 9800W	BOILER HEATING ELEMENT 240V 9800W	X		d,f,g 240V 9800W
404	0CK9J5	0617404M00	RESISTENZA BOILER 415V 9700W	BOILER HEATING ELEMENT 415V 9700W	X		d,f,g 415V 9700W
404	0CK9J6	0617404N00	RESISTENZA BOILER 440V 9400W	BOILER HEATING ELEMENT 440V 9400W	X		d,f,g 440V 9400W
404	0CK9J7	0617404P00	RESISTENZA BOILER 480V 9000W	BOILER HEATING ELEMENT 480V 9000W	X		d,f,g 480V 9000W
404	0CK9J8	0617404D00	RESISTENZA BOILER 208V 18000W	BOILER HEATING ELEMENT 208V 18000W	X		l;n;o;s;u;y; a1 208V 18000W
404	0CK9J9	0617404F00	RESISTENZA BOILER 240V 19600W	BOILER HEATING ELEMENT 240V 19600W	X		l;n;o;s;u;y; a1 240V 19600W
404	0CK9KA	0617404G00	RESISTENZA BOILER 415V 19380W	BOILER HEATING ELEMENT 415V 19380W	X		l;n;o;s;u;y; a1 415V 19380W
404	0CK9KB	0617404H00	RESISTENZA BOILER 440V 18846W	BOILER HEATING ELEMENT 440V 18846W	X		l;n;o;s;u;y; a1 440V 18846W
404	0CK9KC	0617404J00	RESISTENZA BOILER 480V 18000W	BOILER HEATING ELEMENT 480V 18000W	X		l;n;o;s;u;y; a1 480V 18000W
405	0CK188	515404902	TUBO INGRESSO ARIA	AIR INLET PIPE			
406	0CK270	83040BY01	SENSORE DI TEMPERATURA BOILER	BOILER TEMPERATURE SENSOR	X		
407	0CK006	805409304	ASSIEME VALVOLA ARIA	AIR INLET VALVE	X		
407a	0CK9CQ	543402R00	GUARNIZIONE VALVOLA ARIA	AIR INLET VALVE GASKET		X	
408	0CK072	569400Q00	KIT TENUTA ALBERO MOTORE	MOTOR SHAFT SEALING KIT		X	
408a	0E5372	W00501300	DADO FLANG.M5 RFR A2-70 ZIGRINATO AISI 304	NUT M5 AISI 304			
409	0CK871	541403900	TEGOLO PARAGOCCE	DRIP PROTECTION			
410	0CK200	504409J00	VENTOLA GN 1/1	FAN GN1/1	X		b;c;d,f,g; h;r;s;u;v;c1
410	0CK201	504409K00	VENTOLA GN 2/1	FAN GN 2/1	X		j;k;l;n;o;p; x;y;a1;b1
411	0CK211	617401N02	RESISTENZA CELLA 400V 6 1/1	CAVITY HEATING ELEM. 400V 6 1/1	X		b;c;d,f,g;h;c1 400V Order KIT OCBAL8
411	0CK213	617401Y02	RESISTENZA CELLA 400V 10 1/1	CAVITY HEATING ELEM. 400V 10 1/1	X		r;s;u;v;400V Order KIT OCBAMA
411	0CK210	617401T02	RESISTENZA CELLA 400V 6 2/1	CAVITY HEATING ELEM. 400V 6 2/1	X		j;k;l;n;o;p; 400V Order KIT OCBAL7
411	0CK212	617402302	RESISTENZA CELLA 400V 10 2/1	CAVITY HEATING ELEM. 400V 10 2/1	X		x;y;a1;b1; 400V Order KIT OCBAL9

SKYLINE 3.0

Pos	Spare part Code	Factory code	Descrizione	Description	V	W & T	Ref./Notes
411	0CK019	617401M01	RESISTENZA CELLA 240V 6 1/1	CAVITY HEATING ELEM. 240V 6 1/1	X		b;c;d;f;g;h;c1 240V Order KIT 0CBAL3
411	0CK021	617401X01	RESISTENZA CELLA 240V 10 1/1	CAVITY HEATING ELEM. 240V 10 1/1	X		r;s;u;v 240V Order KIT 0CBAL5
411	0CK020	617401S01	RESISTENZA CELLA 240V 6 2/1	CAVITY HEATING ELEM. 240V 6 2/1	X		j;k;l;n;o;p; 240V Order KIT 0CBAL4
411	0CK022	617402201	RESISTENZA CELLA 240V 10 2/1	CAVITY HEATING ELEM. 240V 10 2/1	X		x;y;a1;b1; 240V Order KIT 0CBAL6
411	0CK391	617401L01	RESISTENZA CELLA 208V 6 1/1	CAVITY HEATING ELEM. 208V 6 1/1	X		b;c;d;f;g;h;c1 208V Order KIT 0CBAMB
411	0CK392	617401Q01	RESISTENZA CELLA 480V 6 1/1	CAVITY HEATING ELEM. 480V 6 1/1	X		b;c;d;f;g;h;c1 480V; Order KIT 0CBAMC
411	0CK393	617401R01	RESISTENZA CELLA 208V 6 2/1	CAVITY HEATING ELEM. 208V 6 2/1	X		j;k;l;n;o;p; 208V Order KIT 0CBAMD
411	0CK394	617401V01	RESISTENZA CELLA 480V 6 2/1	CAVITY HEATING ELEM. 480V 6 2/1	X		j;k;l;n;o;p; 480V; Order KIT 0CBAME
411	0CK395	617401W01	RESISTENZA CELLA 208V 10 1/1	CAVITY HEATING ELEM. 208V 10 1/1	X		r;s;u;v;208V Order KIT 0CBAMF
411	0CK396	617402001	RESISTENZA CELLA 480V 10 1/1	CAVITY HEATING ELEM. 480V 10 1/1	X		r;s;u;v 480V Order KIT 0CBAMG
411	0CK397	617402101	RESISTENZA CELLA 208V 10 2/1	CAVITY HEATING ELEM. 208V 10 2/1	X		x;y;a1;b1 208V Order KIT 0CBAMH
411	0CK398	617402501	RESISTENZA CELLA 480V 10 2/1	CAVITY HEATING ELEM. 480V 10 2/1	X		x;y;a1;b1 480V Order KIT 0CBAMI
411	0CK612	617401P01	RESISTENZA CELLA 440V 6 1/1	CAVITY HEATING ELEM. 440V 6 1/1	X		b;c;d;f;g;h;c1 440V MARINE Order KIT 0CBAMO
411	0CK589	617401U01	RESISTENZA CELLA 440V 6 2/1	CAVITY HEATING ELEM. 440V 6 2/1	X		j;k;l;n;o;p; 440V - MARINE/AUS Order KIT 0CBAML
411	0CK590	617401Z01	RESISTENZA CELLA 440V 10 1/1	CAVITY HEATING ELEM. 440V 10 1/1	X		r;s;u;v 440V - MARINE/AUS Order KIT 0CBAMM
411	0CK610	617402401	RESISTENZA CELLA 440V 10 2/1	CAVITY HEATING ELEM. 440V 10 2/1	X		x;y;a1;b1; 440V MARINE Order KIT 0CBAMN
412	0CK216	514404Z03	PERNO SUPPORTO MOTORE	MOTOR PIN SUPPORT			

SKYLINE 3.0

Pos	Spare part Code	Factory code	Descrizione	Description	V	W & T	Ref./Notes
413	0CK150	611400C02	MOTORE FIR 750W	FIR MOTOR 750W	X		j;k;l;n;o; p;x;y;a1; b1 Order KIT 0CBAMZ
413	0CK422	611400B03	MOTORE FIR 450W	FIR MOTOR 450W	X		b;c;d;f;g; h;r;s;u;v;c1 Order KIT 0CBANO
414	0CK9ID	0646400Q00	KLIXON	BOILER SAFETY THERMOSTAT	X		
414a	0CBAWQ	0638407C01	CABLAGGIO TERMOSTATO BOILER	BOILER SAFETY THERMOSTAT WIRING	X		
415	0CK189	544401B01	TUBO INGRESSO VAPORE	STEAM INLET HOSE	X		
416	0CK309	217016205	VITE TENUTA VENTOLA	FAN SCREW			
417	0CK310	206300900	RONDELLA	WASHER			
418	0CK9KD	560403100	ISOLANTE BOILER 6 1/1	BOILER INSULATION 6 1/1			d;f;g
418	0CK9KE	560402Y00	ISOLANTE BOILER 10 1/1	BOILER INSULATION 10 1/1			s;u
418	0CK9KF	560403000	ISOLANTE BOILER 6 2/1	BOILER INSULATION 6 2/1			l;n;o
418	0CK9KG	560402Z00	ISOLANTE BOILER 10 2/1	BOILER INSULATION 10 2/1			y;a1
419	006451	147018082	NASTRO ADESIVO ALLUMINATO	ALLUMINIUM ADHESIVE TAPE			
420	0CK117	569400Z00	GUARNIZIONE 6 1/1	GASKET 6 1/1	X	X	b;c;d;f;g;h;c1
420	0CK118	569401000	GUARNIZIONE 6 2/1-10 1/1-10 2/1	GASKET 6 2/1-10 1/1-10 2/1	X	X	j;k;l;n;o;p; r;s;u;v;x; y;a1;b1
421	0C9201	0518825C01	FASCETTA A VITE CLAMP BCT-9420 X TUBO D21-44	CLAMP BCT-9420 X TUBO D21-44			
429	0CK403	624400P01	TRASFORMATORE TOROIDALE 550VA	TRANSFORMER 550 VA	X		100-120-200- 208-220-230- 240;V
430	0CK404	624400Q01	TRASFORMATORE TOROIDALE 1450VA	TRANSFORMER 1450 VA	X		0-230-380- 400-415-440- 460-480;V
431	0CK592	9F92263600	KIT SCARICO ACCIAIO	STEEL PIPES			
432	0CK593	9F92263700	KIT SCARICO PLASTICA	PLASTIC PIPES			
433	0CK9H2	080540L900	KIT RIPRISTINO PRIGIONIERI	STUD RESTORE KIT			
434	0CB287		ESTRATTORE PER VENTOLA	EXTRACTOR FOR FAN			

SKYLINE 3.0 – KIT DI MANUTENZIONE – MAINTENANCE KIT

Pos	Spare Part Code KIT	Description KIT	Spare Part Code	S.P. Q.ty	Spare part position	Spare part Description	Ref./Note	Time/Cycles (hours)	Every (months)
PPM1	0CK891	6 GRIDS GN 1/1; PPM KIT	0CK222	1	115	DOOR GASKET	b; c; d; f; g; h; c1	3200	12
			0CK226	1	118	AIR FILTER			
PPM2	0CK892	6 GRIDS GN 2/1; PPM KIT	0CK121	1	115	OVEN DOOR GASKET	j; k; l; n; o; p	3200	12
			0CK226	1	118	AIR FILTER			
PPM3	0CK893	10 GRIDS GN 1/1; PPM KIT	0CK120	1	115	OVEN DOOR GASKET	r; s; u; v;	3200	12
			0CK226	1	118	AIR FILTER			
PPM4	0CK894	10 GRIDS GN 2/1; PPM KIT	0CK223	1	115	DOOR GASKET	x; y; a1; b1	3200	12
			0CK226	1	118	AIR FILTER			
PPM5	0CK360	SKL OV PM KIT 1	0CK120	1	115	DOOR GASKET	r; s; u; v;	3200 12800	12 48
			0CK226	1	118	AIR FILTER			
			0CK195	1	125	CHECK VALVE			
			0CK323	1	131	BUSH IGUS			
			0CK119	2		IGNITION ROD GASKET			
			0CK115	2		BURNER GASKET			
PPM6	0CK361	SKL OV PM KIT 2	0CK121	1	115	DOOR GASKET	j; k; l; n; o; p	3200 12800	12 48
			0CK226	1	118	AIR FILTER			
			0CK195	1	125	CHECK VALVE			
			0CK323	1	131	BUSH IGUS			
			0CK119	2		IGNITION ROD GASKET			
			0CK115	2		BURNER GASKET			
PPM7	0CK362	SKL OV PM KIT 3	0CK222	1	115	DOOR GASKET	b; c; d; f; g; h; c1	3200 12800	12 48
			0CK226	1	118	AIR FILTER			
			0CK195	1	125	CHECK VALVE			
			0CK323	1	131	BUSH IGUS			
			0CK119	2		IGNITION ROD GASKET			
			0CK115	2		BURNER GASKET			
PPM8	0CK363	SKL OV PM KIT 4	0CK223	1	115	DOOR GASKET	x; y; a1; b1	3200 12800	12 48
			0CK226	1	118	AIR FILTER			
			0CK195	1	125	CHECK VALVE			
			0CK323	1	131	BUSH IGUS			
			0CK119	2		IGNITION ROD GASKET			
			0CK115	2		BURNER GASKET			
PPM9	0CK364	SKL OV PM KIT 5	0CK120	1	115	DOOR GASKET	r; s; u; v	9600	36
			0CK226	1	118	AIR FILTER			
			0CK195	1	125	CHECK VALVE			
			0CK323	1	131	BUSH IGUS			
			0CK119	2		IGNITION ROD GASKET			
			0CK115	2		BURNER GASKET			
			0CK116	2		BURNER GASKET			
			0CK143	1	111	CLOSING MECHANISM			
			0CK087	1	313	CYLINDER FOR TABS			
0CK322	1	357	CUP TANK ASSEMBLY						

SKYLINE 3.0 – KIT DI MANUTENZIONE – MAINTENANCE KIT

Pos	Spare Part Code KIT	Description KIT	Spare Part Code	S.P. Q.ty	Spare part position	Spare part Description	Ref./Note	Time/Cycles (hours)	Every (months)
PPM10	0CK365	SKL OV PM KIT 6	0CK121	1	115	DOOR GASKET	j; k; l; n; o	9600	36
			0CK226	1	118	AIR FILTER			
			0CK195	1	125	CHECK VALVE			
			0CK323	1	131	BUSH IGUS			
			0CK119	2		IGNITION ROD GASKET			
			0CK115	2		BURNER GASKET			
			0CK116	2		BURNER GASKET			
			0CK143	1	111	CLOSING MECHANISM			
			0CK087	1	313	CYLINDER FOR TABS			
			0CK322	1	357	CUP TANK ASSEMBLY			
PPM11	0CK366	SKL OV PM KIT 7	0CK222	1	115	DOOR GASKET	b; c; d; f; g; h; c1	9600	36
			0CK226	1	118	AIR FILTER			
			0CK195	1	125	CHECK VALVE			
			0CK323	1	131	BUSH IGUS			
			0CK119	2		IGNITION ROD GASKET			
			0CK115	2		BURNER GASKET			
			0CK116	2		BURNER GASKET			
			0CK143	1	111	CLOSING MECHANISM			
			0CK087	1	313	CYLINDER FOR TABS			
			0CK322	1	357	CUP TANK ASSEMBLY			
PPM12	0CK367	SKL OV PM KIT 8	0CK223	1	115	DOOR GASKET	x; y; a1; b1	9600	36
			0CK226	1	118	AIR FILTER			
			0CK195	1	125	CHECK VALVE			
			0CK323	1	131	BUSH IGUS			
			0CK119	2		IGNITION ROD GASKET			
			0CK115	2		BURNER GASKET			
			0CK116	2		BURNER GASKET			
			0CK143	1	111	CLOSING MECHANISM			
			0CK087	1	313	CYLINDER FOR TABS			
			0CK322	1	357	CUP TANK ASSEMBLY			
PPM13	0CK376	SKL OV PM KIT 17	0CK120	1	115	DOOR GASKET	r; s; u; v	16000	60
			0CK226	1	118	AIR FILTER			
			0CK195	1	125	CHECK VALVE			
			0CK323	1	131	BUSH IGUS			
			0CK193	1	329	MOTORIZED BALL VALVE			
			0CK119	2		IGNITION ROD GASKET			
			0CK115	2		BURNER GASKET			
			0CK116	2		BURNER GASKET			
0CK156	1	300	CLEANING PUMP 220-240V 50/60HZ						

SKYLINE 3.0 – KIT DI MANUTENZIONE – MAINTENANCE KIT

Pos	Spare Part Code KIT	Description KIT	Spare Part Code	S.P. Q.ty	Spare part position	Spare part Description	Ref./Note	Time/Cycles (hours)	Every (months)
PPM14	0CK377	SKL OV PM KIT 18	0CK121	1	115	DOOR GASKET	j; k; l; n; o	16000	60
			0CK226	1	118	AIR FILTER			
			0CK195	1	125	CHECK VALVE			
			0CK323	1	131	BUSH IGUS			
			0CK193	1	329	MOTORIZED BALL VALVE			
			0CK119	2		IGNITION ROD GASKET			
			0CK115	2		BURNER GASKET			
			0CK116	2		BURNER GASKET			
PPM15	0CK378	SKL OV PM KIT 19	0CK156	1	300	CLEANING PUMP 220-240V 50/60HZ	b; c; d; f; g; h; c1	16000	60
			0CK222	1	115	DOOR GASKET			
			0CK226	1	118	AIR FILTER			
			0CK195	1	125	CHECK VALVE			
			0CK323	1	131	BUSH IGUS			
			0CK193	1	329	MOTORIZED BALL VALVE			
			0CK119	2		IGNITION ROD GASKET			
			0CK115	2		BURNER GASKET			
PPM16	0CK379	SKL OV PM KIT 20	0CK116	2		BURNER GASKET	x; y; a1; b1	16000	60
			0CK223	1	115	DOOR GASKET			
			0CK226	1	118	AIR FILTER			
			0CK195	1	125	CHECK VALVE			
			0CK323	1	131	BUSH IGUS			
			0CK193	1	329	MOTORIZED BALL VALVE			
			0CK119	2	403	IGNITION ROD GASKET			
			0CK115	2	405-432	BURNER GASKET			
0CK116	2	405-432	BURNER GASKET						
0CK156	1	300	CLEANING PUMP 220-240V 50/60HZ						