



**MOD: E17/2ID4T-N**

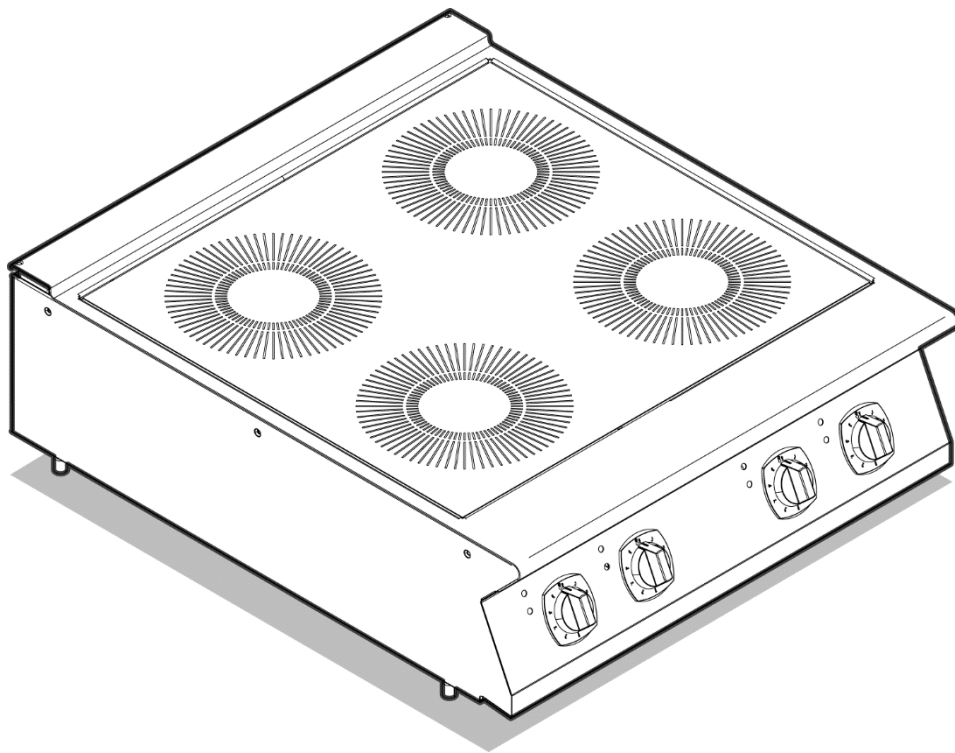
**Production code : 373020**

**01/2026**

# SERVICE MANUAL

---

## INDUCTION COOKTOP 2024



**Doc. N. 59785YM00**

**Edition 2 - 2024**

## REVISIONS UPDATE:

EDITION	DESCRIPTION	DATE
1.00	First edition of Service Manual	FEB 2017
1.01	MINOR CORRECTIONS OF TECH TERMINOLOGIES AND INTEGRATION OF LED PICTURES / CHAPTER §7.4	
1.02	CREATION OF CHAPTER §7.4.1	
1.03	INSERTED NEW IMAGE INTO CHAPTER §7.4.1 / CREATED NEW CHAPTER §1.1 FOR THE LIST OF APPLIANCES INVOLVED IN THIS S.M.	
1.04	CREATION OF CHAPTER §.4.2	
1.05	CREATION OF CHAPTER §2.3 AND §3.4	DEC 2018
1.06	CREATION OF CHAPTER §7.2.5 AND UPDATE OF ALL CHAPTERS INCLUDED IN §7.2 FOR THE CREATION OF F2.1 GENERATOR	MAY 2019
2	UPDATE OF S.M. LAYOUT , NEW POTENTIOMETER §7.1.3	APRIL 2024

## Foreword



The service manual (here in after Manual) provides the engineer with information necessary for correct and safe care of the machine (here in after “machine“, “appliance“ or “unit“).

The following instructions are intended to maintain the machine performance and to preventing injury to persons and animals and damage to property due to improper operating procedures.

All persons involved in machine transport, installation, commissioning and maintenance, repair and disassembly must refer to the content of this manual before carrying out the various operations. This, in order to avoid wrong and improper actions that could compromise the machine's integrity or endanger people.

If, after reading this manual, there are still doubts regarding machine use, do not hesitate to contact the Manufacturer or the Customer Care to receive prompt and precise assistance for better operation and maximum efficiency of the machine. During all stages of machine assessment, always respect the current regulations on safety, work hygiene and environmental protection. It is the user's responsibility to make sure the machine is started and operated only in optimum conditions of safety for people, animals and property.

### IMPORTANT

- The manufacturer declines any liability for operations carried out on the appliance without respecting the instructions given in this manual as well as for operations carried out by the user without respecting the instructions given in the user manual.
- The manufacturer reserves the right to modify the appliances presented in this publication without notice; manufacturer's relevant technical bulletins should be used as integration(s)/addendum(s).
- No part of this manual may be reproduced without the consent of the manufacturer
- This manual is available in digital format by:
  - contacting the reference customer care;
  - downloading the latest and up to date manual/technical bulletin(s) on the web site:

**The manual must always be part of the documentation available when servicing the machine.**

<b>1</b>	<b>INTRODUCTION</b> .....	<b>5</b>
1.1	PNC INVOLVED .....	5
1.2	TECHNICAL PRESENTATION PURPOSE.....	6
<b>2</b>	<b>TECHNICAL CHARACTERISTIC</b> .....	<b>7</b>
2.1	DATA PLATE (IDENTIFICATION STICKER) .....	8
2.2	SERIAL NUMBER (PRODUCTION DATE) .....	9
2.3	APPLIANCE LOAD .....	9
<b>3</b>	<b>INSTALLATION INSTRUCTIONS</b> .....	<b>10</b>
3.1	ON BASE .....	10
3.2	ON REFRIGERATED COUNTER .....	11
3.3	SIDE BY SIDE .....	12
3.4	AIR CIRCULATION.....	13
<b>4</b>	<b>ELECTRIC CONNECTION</b> .....	<b>14</b>
4.1	HOW TO RECOGNIZE THREE-PHASE AND NEUTRAL .....	15
4.2	RESIDUAL CURRENT .....	15
<b>5</b>	<b>CLEANING</b> .....	<b>16</b>
<b>6</b>	<b>ACCESS TO THE COMPONENTS</b> .....	<b>17</b>
6.1	SELECTOR (POTENTIOMETER) & LEDS .....	17
6.2	AIR FILTERS .....	17
6.3	GENERATORS.....	18
6.4	GLASS, REPLACEMENT .....	19
<b>7</b>	<b>COMPONENTS FUNCTIONING</b> .....	<b>21</b>
7.1	SELECTOR AND POTENTIOMETER.....	21
7.1.1	SELECTOR INSTALLED UNTIL WK05-2017.....	21
7.1.2	SELECTOR INSTALLED FROM WK 06-2017 .....	22
7.1.3	SELECTOR INSTALLED FROM WK 17-2023 .....	23
7.2	GENERATOR .....	24
7.2.1	IDENTIFICATION.....	24
7.2.2	FOUCAULT 1, GENERATORS UNTIL WK05-2017 .....	24
7.2.3	FOUCAULT 2, GENERATORS FROM WK06-2017- UNTIL WK 20 2019 .....	25
7.2.4	FOUCAULT 2.1, GENERATORS FROM <b>WK21-2019</b> .....	25
7.2.5	IDENTIFICATION, SPARE PARTS .....	26
7.2.6	GENERATORS CABALLING .....	27
7.2.7	GENERATOR POWER OUTPUT .....	27
7.3	INDUCTION POTS, PRECAUTIONS .....	28
7.3.1	PERFORMANCE .....	29
7.4	LEDS & BLINK CODE .....	29
7.4.1	LED POWER SUPPLY CHECK (INNER GENERATOR 12V VOLTAGE ADAPTOR) .....	30
<b>8</b>	<b>TROUBLESHOOTING (ALARMS) AND TIPS</b> .....	<b>31</b>
<b>9</b>	<b>ELECTRIC WIRING DIAGRAMMS</b> .....	<b>32</b>

# 1 INTRODUCTION

## 1.1 PNC INVOLVED

A list of the appliances that refer to this S.M.

PNC	MODEL	KW PER ZONE	DESCRIPTION
391277	E9INED2008	5	TOP 400 MM (2 ZONE)
391278	E9INEH4008	5	TOP 800 MM (4 ZONE)
392277	Z9INED2008	5	TOP 400 MM (2 ZONE)
392278	Z9INEH4008	5	TOP 800 MM (4 ZONE)
393277	A9INED2008	5	TOP 400 MM (2 ZONE)
393278	A9INEH4008	5	TOP 800 MM (4 ZONE)
371020	E7INED2000	3,5	TOP 400 MM (2 ZONE)
371021	E7INEH4000	3,5	TOP 800 MM (4 ZONE)
371023	E7INEH2F0P	5	TOP 800 MM (2 ZONE) CROSSWISE LAYOUT *
371175	E7INED200P	5	TOP 400 MM (2 ZONE)
371176	E7INEH400P	5	TOP 800 MM (4 ZONE)
372020	Z7INED2000	3,5	TOP 400 MM (2 ZONE)
372021	Z7INEH4000	3,5	TOP 800 MM (4 ZONE)
372023	Z7INEH2F0P	5	TOP 800 MM (2 ZONE) CROSSWISE LAYOUT *
372175	Z7INED200P	5	TOP 400 MM (2 ZONE)
372176	Z7INEH400P	5	TOP 800 MM (4 ZONE)
373020	A7INED2000	3,5	TOP 400 MM (2 ZONE)
373021	A7INEH4000	3,5	TOP 800 MM (4 ZONE)

\* the access to the components might be slightly different because of the "cross" layout. Functionally they are the same.

## 1.2 TECHNICAL PRESENTATION PURPOSE.

The aim of this document is to provide the necessary information for all after sales activities. You should carefully read what is described in this document before you begin any repair.

Inside this document, **important**, **caution** and **warning** symbols are used with the following meaning:



### IMPORTANT!

Points out important notes.



### CAUTION!

Points out a situation with possible minor injuries or damage to the product if these instructions are not adhered to.



### WARNING!

Indicates a danger that could cause serious injury or death if precautions are not observed.

Furthermore, in this document are highlighted NOTES that emphasize the importance of some of the information.

#### Precautions and safety



### IMPORTANT!

To reduce risks related to the use of the **INDUCTION COOKTOP**, it is very important to read all the instructions for use and maintenance in this manual beforehand. Keep this manual close at hand for referral purposes.

After installation keep the instruction handbook for future consultation.



### FIRE HAZARD

Keep the area around the appliance clear and free from combustible materials. Do not keep flammable materials in the vicinity of the appliance.



Install the appliance in a well-ventilated place.

Place emergency telephone numbers in a visible position.

This equipment is designed for cooking food. It is intended for industrial use. Any other use is to be considered improper.


The appliance must be used by trained personnel about the risks involved.

Do not use products (even if diluted) containing chlorine (sodium hypochlorite, hydrochloric or muriatic acid, etc.) to clean the appliance or the floor under it. Do not use metal tools to clean steel parts (wire brushes or Scotch Brite type scouring pads).

Do not allow dirt, fat, food or other residuals to form deposits on the appliance.

Do not clean the appliance with direct jets of water or use steam to clean the equipment.



The symbol  **located** on the product indicates that it should not be considered domestic waste, but must be correctly disposed of in order to prevent any negative consequences for the environment and the health of persons.



### IMPORTANT!

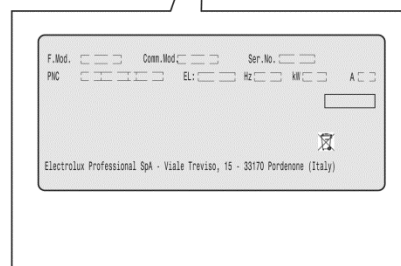
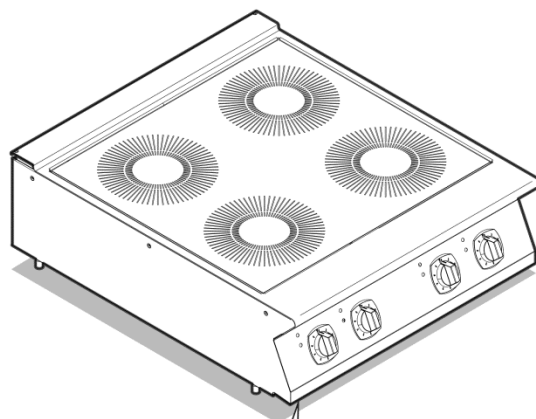
Failure to observe the above can compromise the safety of the appliance. Failure to observe the above invalidates the warranty.

## 2 TECHNICAL CHARACTERISTIC

<b>TECHNICAL DATA</b>			
<b>APPLIANCE</b>		Top 700 & 900 x <b>400MM</b>	Top 700 & 900 x <b>800MM</b>
Zone numbers		2	4
Zone power		3,5 or 5 KW	3,5 or 5 KW
Supply voltage	V	400	400
Phase	Nr.	3~ / 3~ +N	3~ / 3~ +N
Frequency	Hz	50/60	50/60
Max total power	kW	7 or 10	14 or 20
Dimension supply cable	mm <sup>2</sup>	2,5	4
Ampere	A	2 x 3,5kw 3~ 400v= 10.1A 2 x 5kw 3~ 400v= 14.5A	4 x 3,5kw 3~+N 400v= 20.2A 4 x 3,5kw 3~ 400v= 20.2A 4 x 5kw 3~+N 400v= 29A 4 x 5kw 3~ 400v= 29A

## 2.1 DATA PLATE (IDENTIFICATION STICKER)

The identification sticker is located under the flap of the control panel. The meaning of the various information is listed below:



<b>F.Mod.</b>	Factory model description
<b>Comm.Model</b>	Commercial description
<b>PNC</b>	Production number code
<b>Ser.No</b>	Serial number
<b>EI</b>	Power supply voltage / phase
<b>Hz</b>	Power supply frequency
<b>kW</b>	Max. power input
<b>A</b>	Current absorption
<b>Power unit EI.</b>	Power
<b>I</b>	Dust and water protection rating
<b>CE</b>	CE marking
<b>AB</b>	Gas safety certificate number*
<b>N</b>	Certification group
<b>0051</b>	Notified authority
<b>EN 203-1</b>	EU standard
<b>L</b>	Logo IMQ/GS
<b>Cat</b>	Gas Category*
<b>Pmbar</b>	Gas pressure*

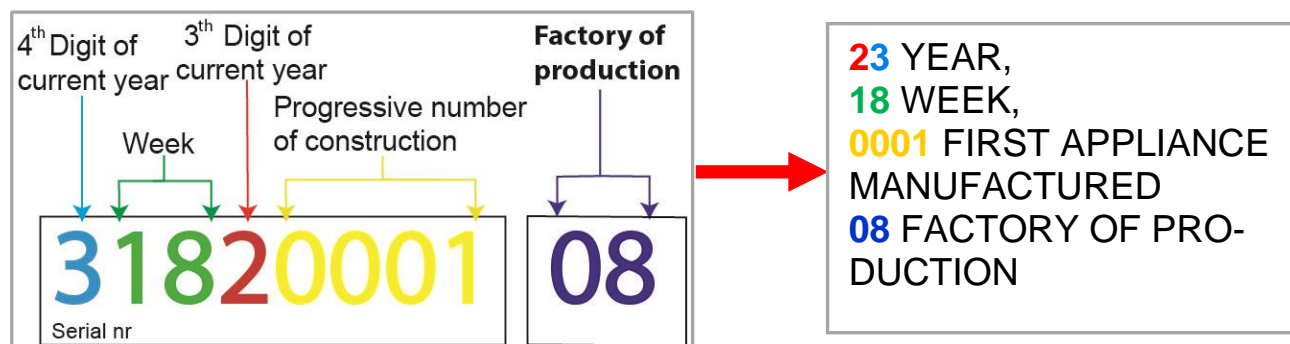
\*= depending on models

## 2.2 SERIAL NUMBER (PRODUCTION DATE)

The identification sticker is located on the side panel. The meaning of the various information is listed below:

SERIAL NUMBER (PRODUCTION DATE) is necessary to find the correct spare part or to ask tech. support.

**EXAMPLE: Serial Number 3 18 2 0001**



## 2.3 APPLIANCE LOAD

It is possible to "load" the appliances:

700&900 2 zones with a total weight of 60kg distributed across the surface in pots suitable for induction use and of a max diameter of 28cm.

700&900 4 zones: with a total weight of 100kg distributed across the surface in pots suitable for induction use and



### WARNING!

Bigger diameter pots than those indicated, If detected by more that one zone and are turned on, could damage the generators. It is also **not suggested** to let the pot rest on the border stainless top, it must fit only on top of the glass.

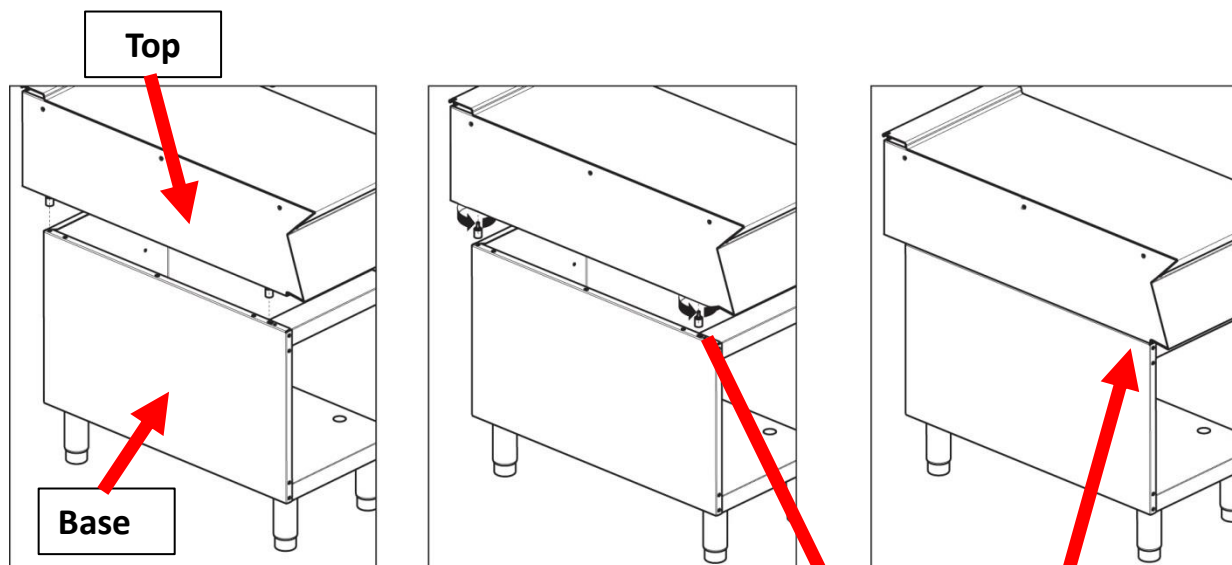
EXAMPLE: Lets do some considerations for a 4 zone appliance: For example a standard pot used in professional cooking would be a pot of 30cm diameter (so the bottom would be approx. 28cm) and if it was 25cm high it would contain approx. 18 liters of water, add like 2kg for the pot, that would make 20kg (pot and water)..... if you multiply per 4 zones= 80kg... approx.

### 3 INSTALLATION INSTRUCTIONS

The appliance can be installed:

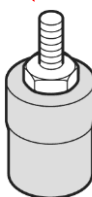
#### 3.1 ON BASE

All top appliances can be fixed onto neutral bases

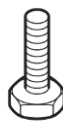


**IMPORTANT:** We suggest to use a M6 25mm bolt to fix the top to the base unit, it makes the job much easier than using the foot (inside the base there are some interference, job can be done bit an M6 bolt is much faster with a spanner than

OUT,  
foot

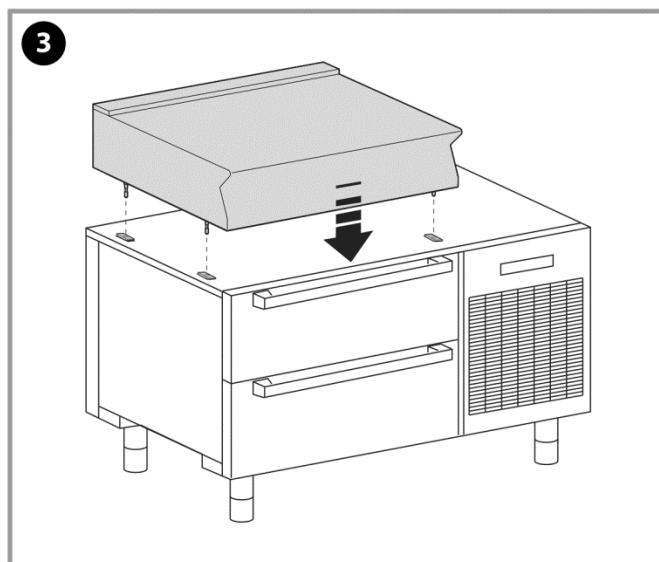
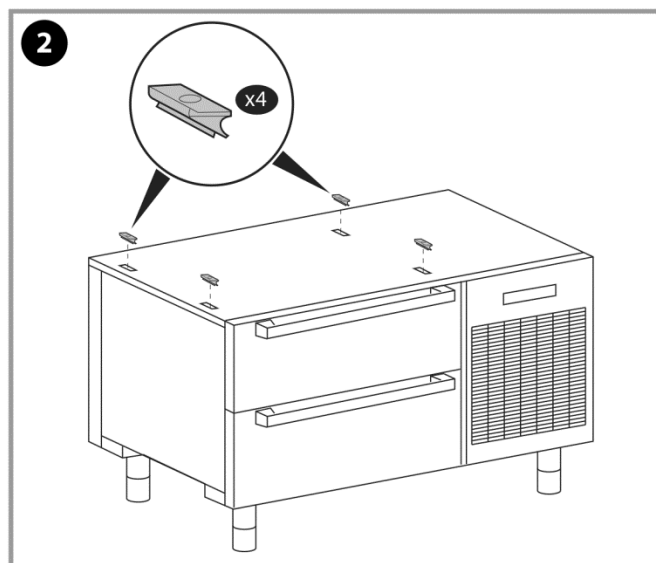
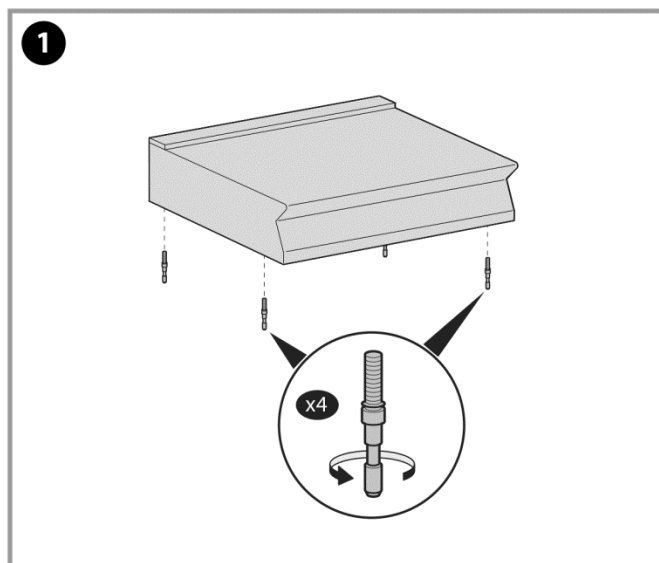


IN, M6 bolt  
to fix top



## 3.2 ON REFRIGERATED COUNTER

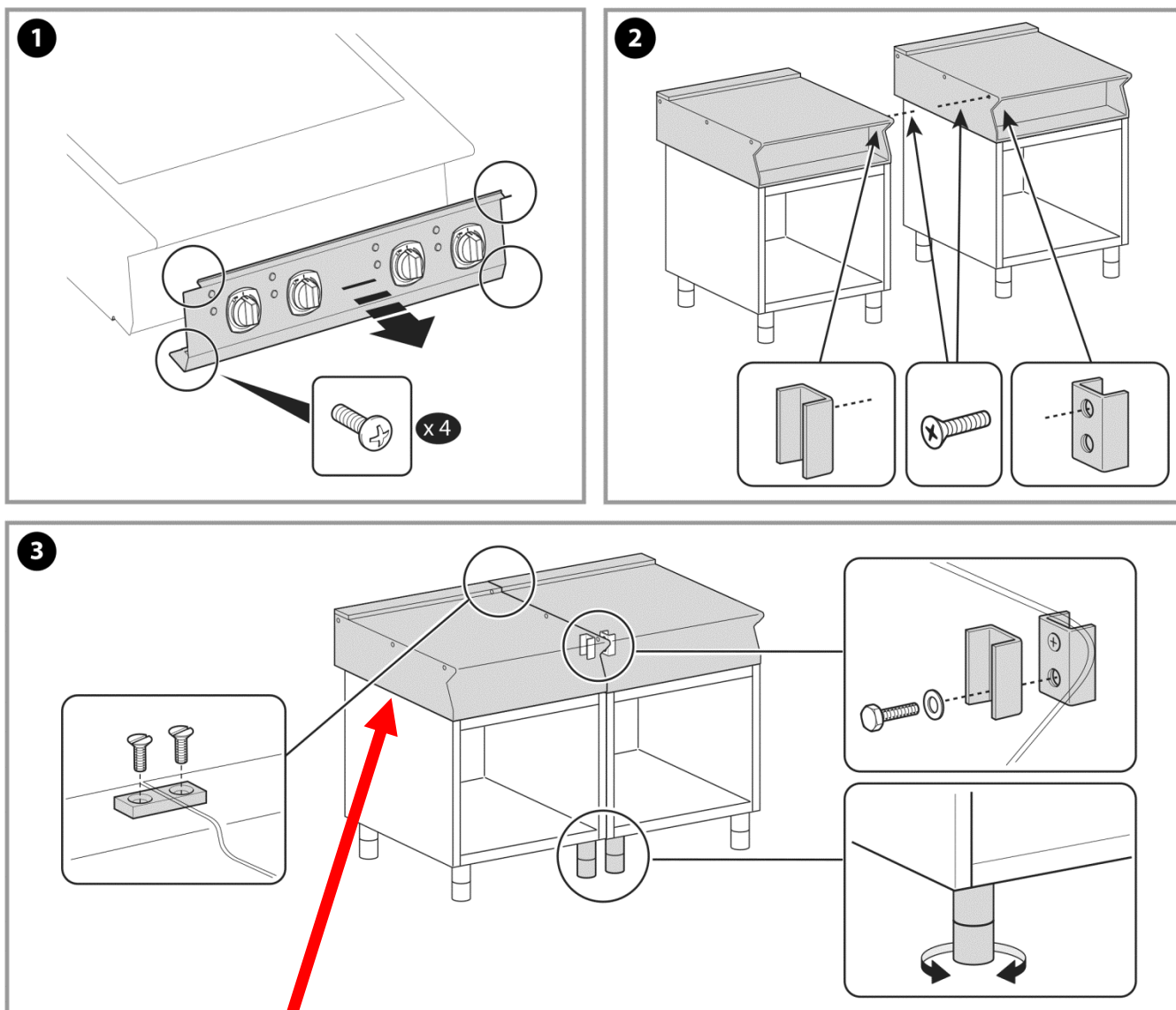
The top appliances can be installed on the predisposed refrigerated base counters. With the counter are supplied the indicated fixing pins and spring catches (to be fixated on counter) The pins replace the original feet of the top then the top can be positioned on the counter.



**IMPORTANT**= the illustration represents a 1200mm refrigerated counter. For appliances with this dimension are predisposed 12 pins and catches, this because it could be possible to fit on top of the counter different size appliances that would have their feet meet different positions on top of the counter. The 800mm induction top would be able to fit on top of the refrigerated counter and to its side would be possible to install a 400mm element.

### 3.3 SIDE BY SIDE

If desired, once that the top appliance has been fixed to a base unit it can be fixed to similar dimension appliances.



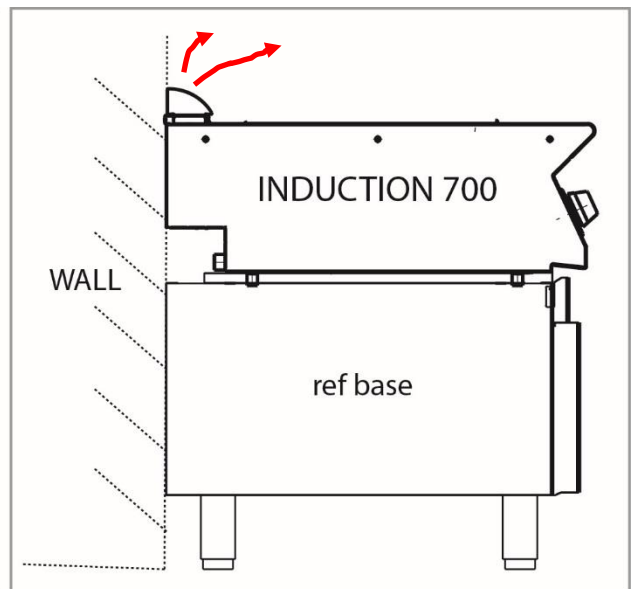
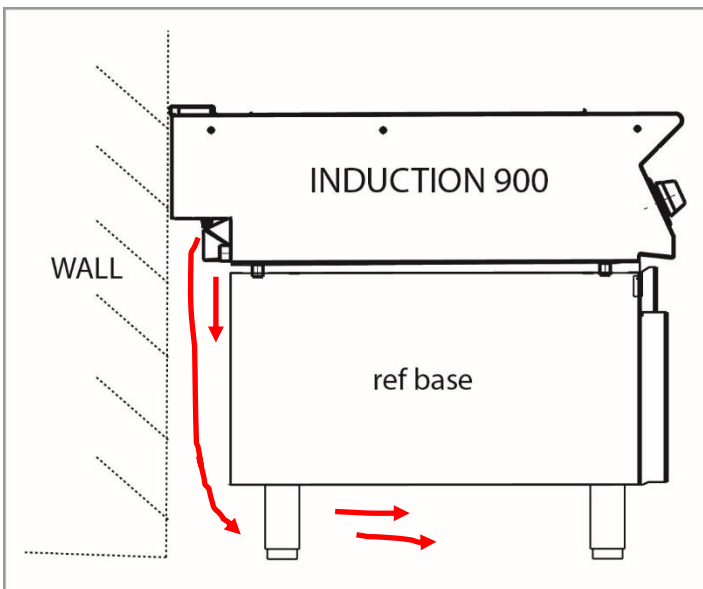
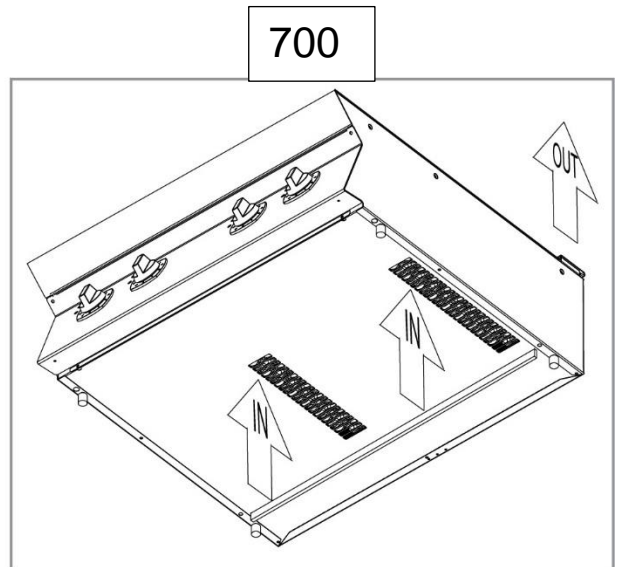
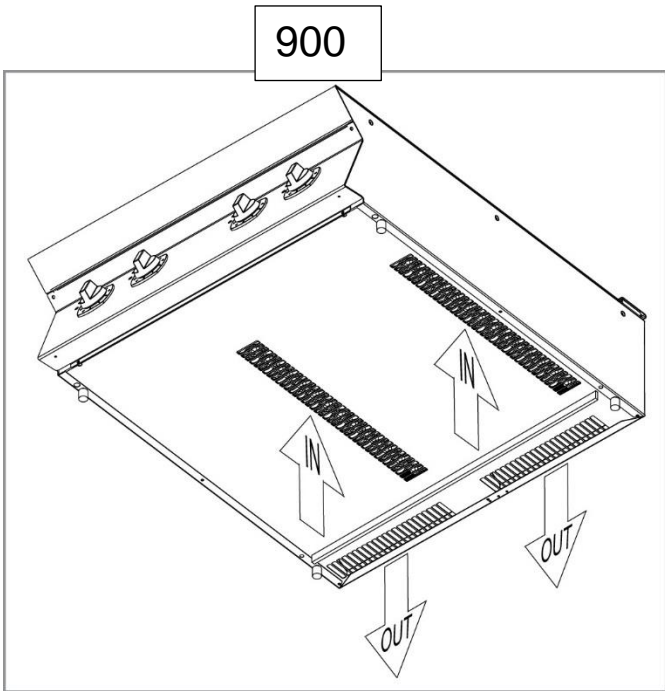
**NOTE:** in the bottom panel rear of the appliance is located a cut out also used for electric connection (refer to § 4).

### 3.4 AIR CIRCULATION

Be carefull of the air flow “OUT” from the 700 & 900 range appliances.

The **700 range** have chimneys on the top of appliance for the output of hot air this because they do not have the possibility to outlet air to the back of appliance as it would not have any escape path for the hot air.

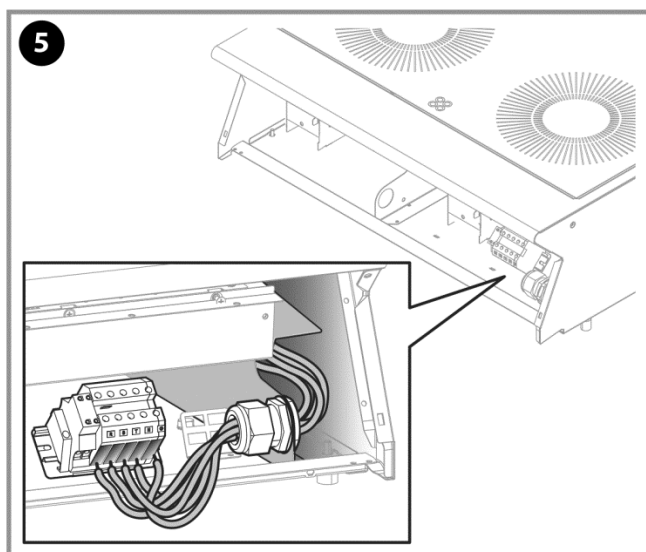
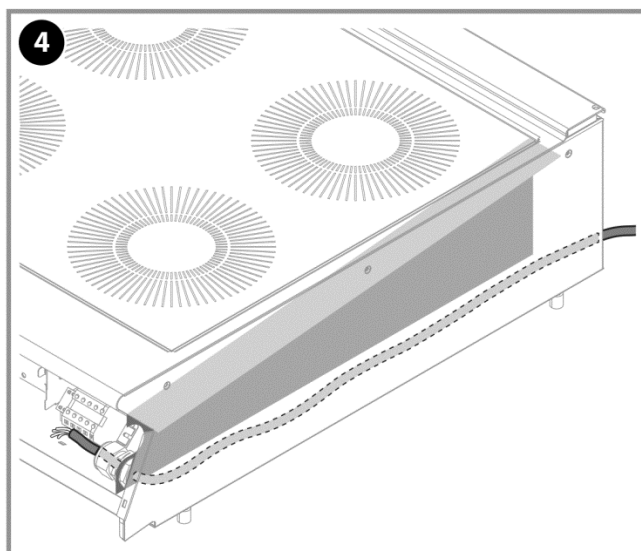
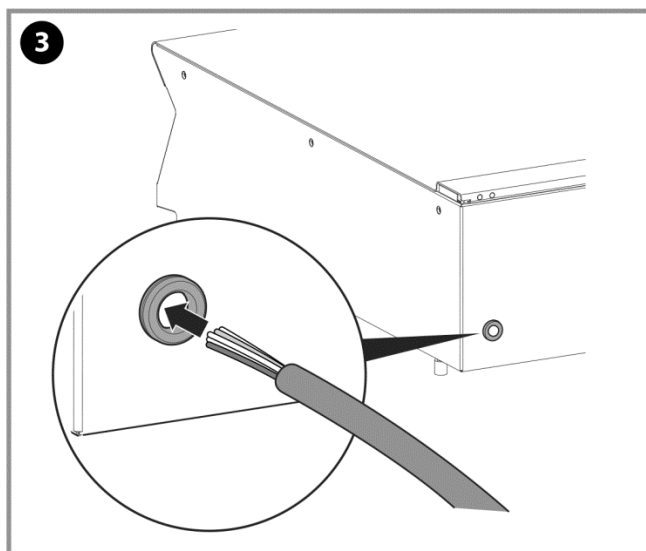
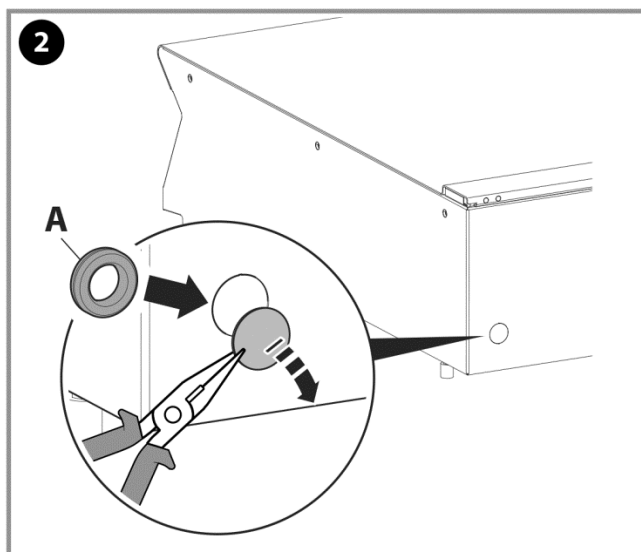
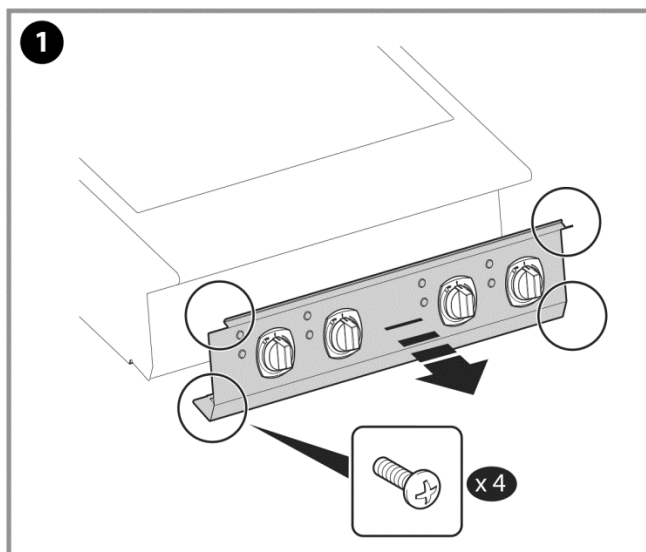
The **900 range** DO NOT HAVE CHIMNEYS ON THE TOP, they have rear underneath passage slots to outlet the hot air, this because normally in the rear they have an escape path for the hot air



## 4 ELECTRIC CONNECTION

The appliance can be connected from the rear back panel or through the bottom rear (refer to image **NOTE § 3.3**).

The images 2 and 3 are relative to the back panel cut out.



-At the rear of the appliance there are predisposed laser disc cut outs, snap the desired one (back or underneath).

-Place the rubber cable protection (**A**)

-Tape up any single supply wires to facilitate inserting into appliance

-Push the supply wire towards the front of appliance.

-Connect to the main terminal board

## 4.1 HOW TO RECOGNIZE THREE-PHASE AND NEUTRAL



### WARNING!

Take GREAT CARE when testing anything with live current and always use your personal protective equipment; if you are unsure what you are doing and how to use your equipment safely then **DON'T DO IT**

Normally this job is up to a skilled electric engineer that carries out his work before ours, however; in case of need, some basic tips on how to check the supply wires before our main terminal board.

All TRK appliances are one phase supplied (**L1+N**)

Put your meter in AC Volts setting. Connect the meter test leads to the terminal board contacts; the readings should be:

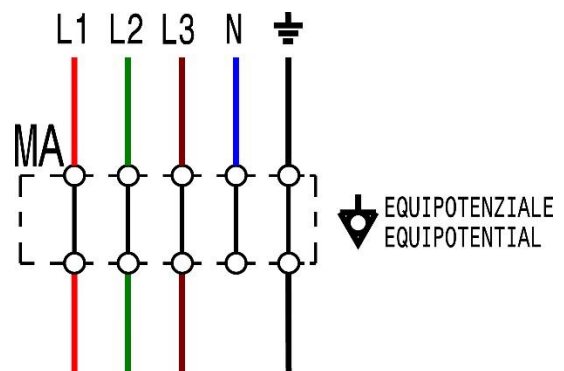
L1 / L2 / L3 + N\* (Phase and Neutral) = **230 Volts**  
(+/- 6% based on European standards)

L1 / L2 / L3 +  $\perp$  (Phase and Earth) = **230 Volts**

L1 and/or L2 + L3 (Phase and Phase) = **400 Volts**

N +  $\perp$  (Neutral and Earth) = **0 Volts**  
(or approx. zero V)

The combination and results obtained will permit you to find all wires: PHASE, NEUTRAL and EARTH.



## 4.2 RESIDUAL CURRENT

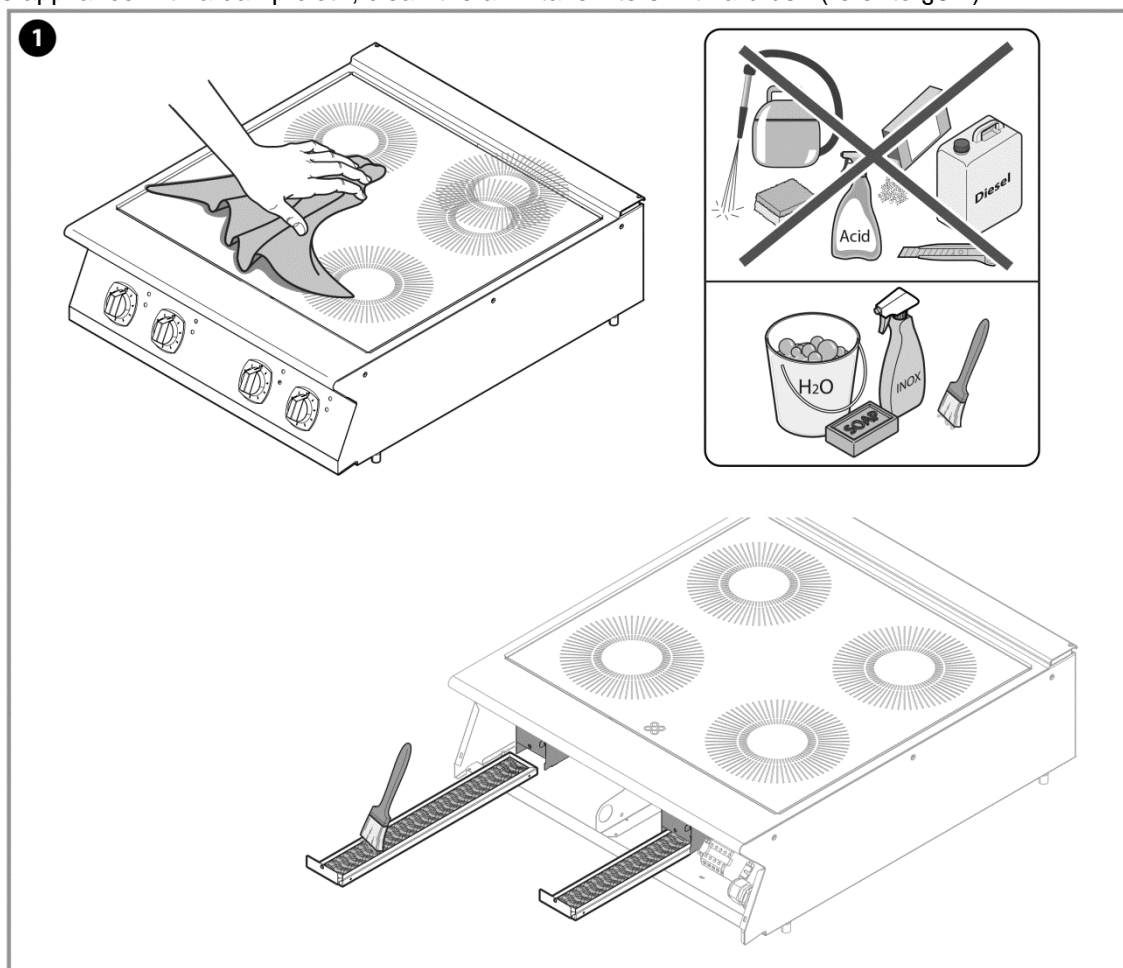
The contact opening max. distance and leakage current must comply with the local safety regulations.

Many country use a 30mA but you must refer to the local regulations!!

For your information at 424V our laboratory tests show a residual current of 14,5mA (approx.) on the **FOUCAULT II** generator; refer to [IDENTIFICATION](#) .

## 5 CLEANING

Clean the appliance with a damp cloth, clean the air intake filters with a brush (refer to §6.2).



## 6 ACCESS TO THE COMPONENTS

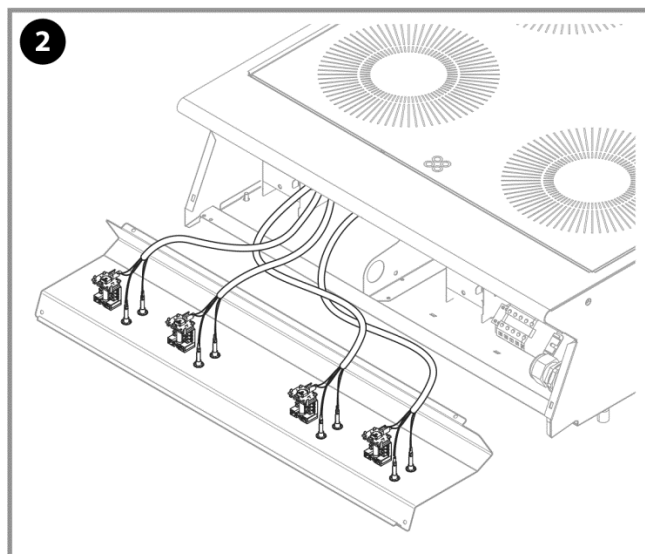
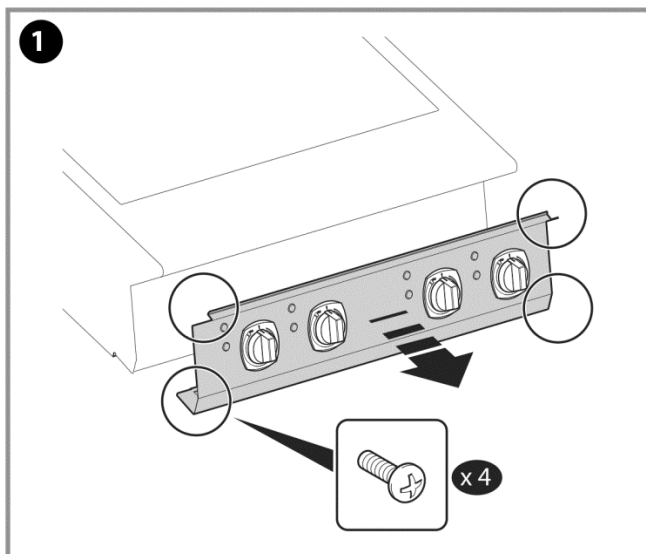


### WARNING!

Take GREAT CARE when testing anything with live current, if you are unsure what you are doing and how to use your equipment safely then **DON'T DO IT**.

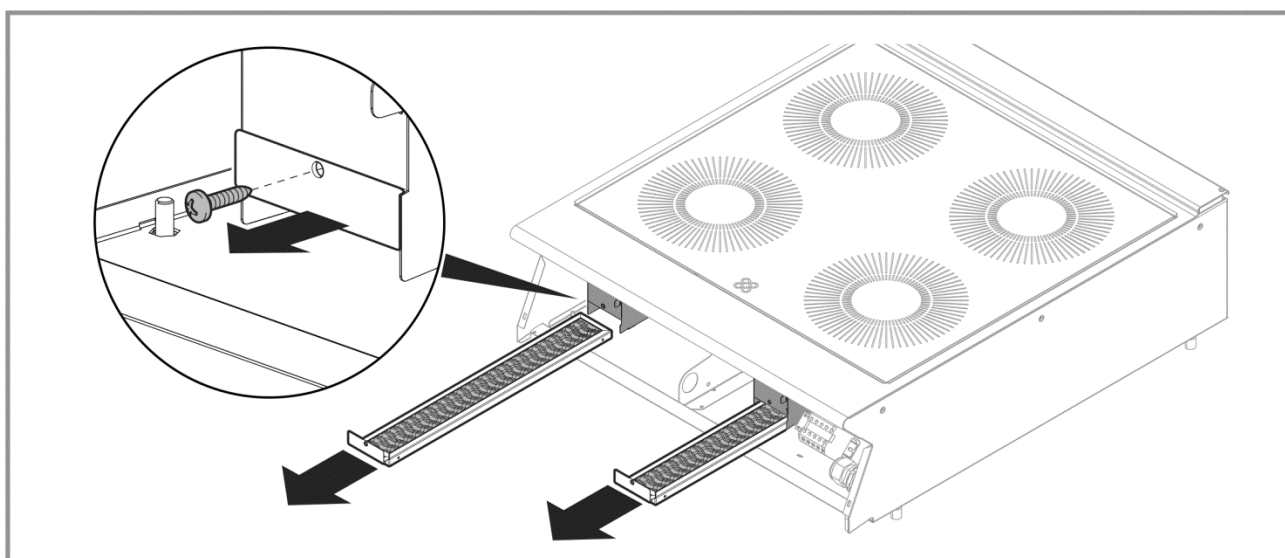
All the components can be accessed from the front of the appliance

### 6.1 SELECTOR (POTENTIOMETER) & LEDS



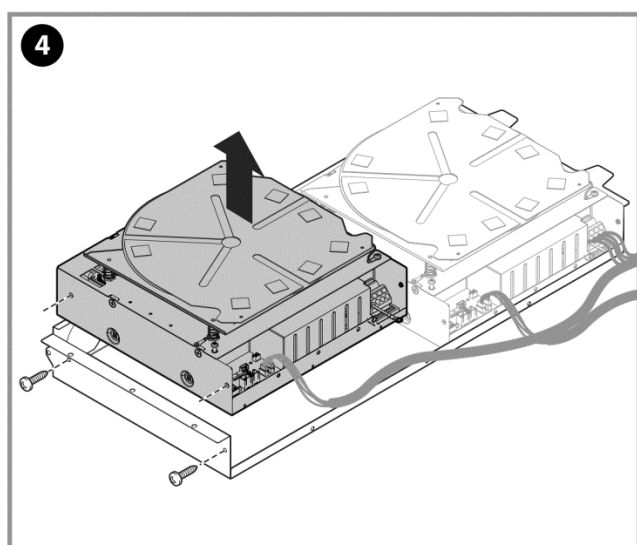
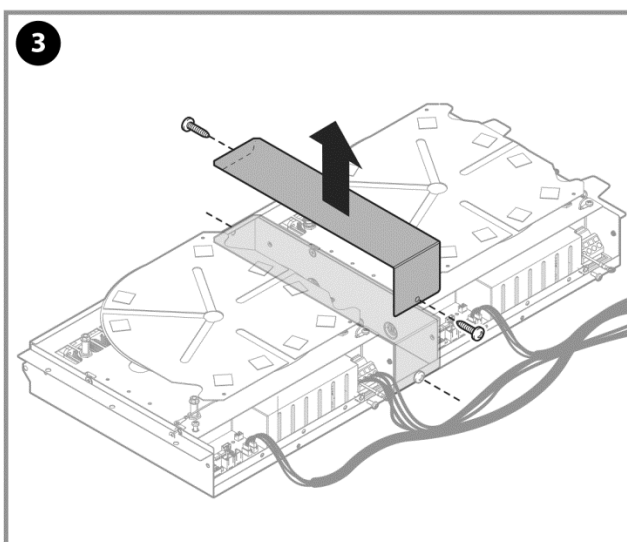
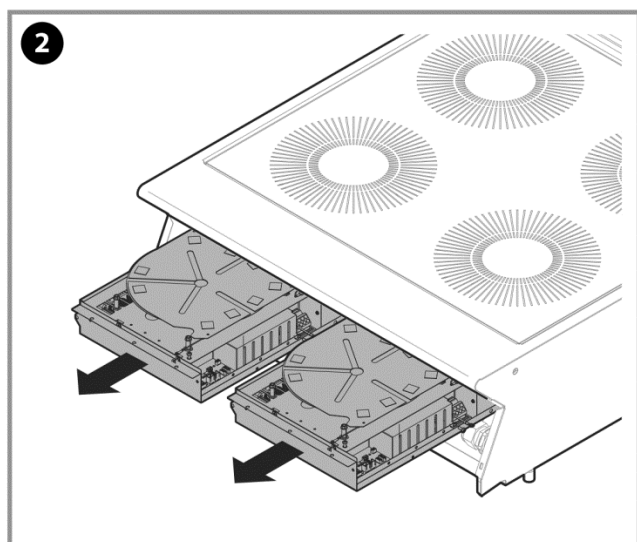
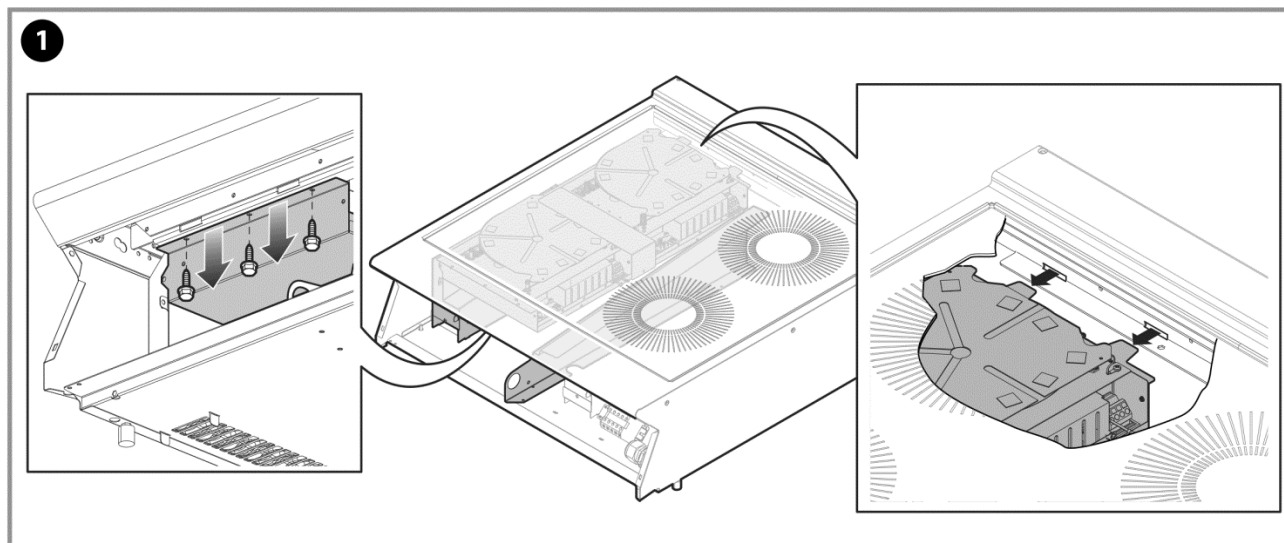
### 6.2 AIR FILTERS

To access the intake air filters you will have to remove the control panel.



## 6.3 GENERATORS

To access the generators you will have to remove the control panel.

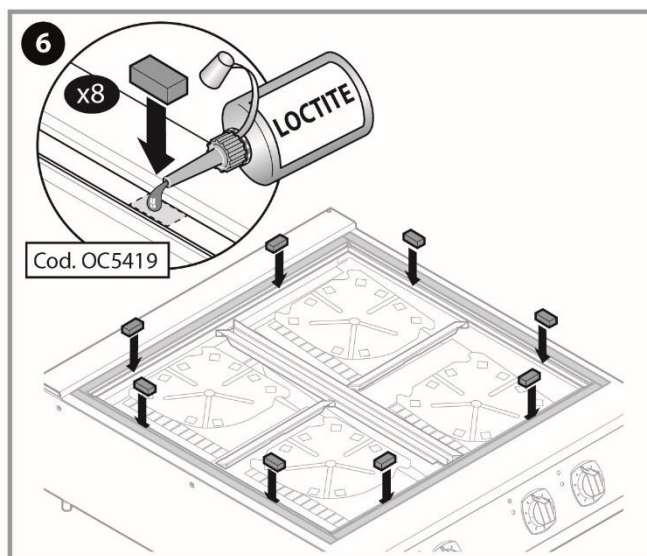
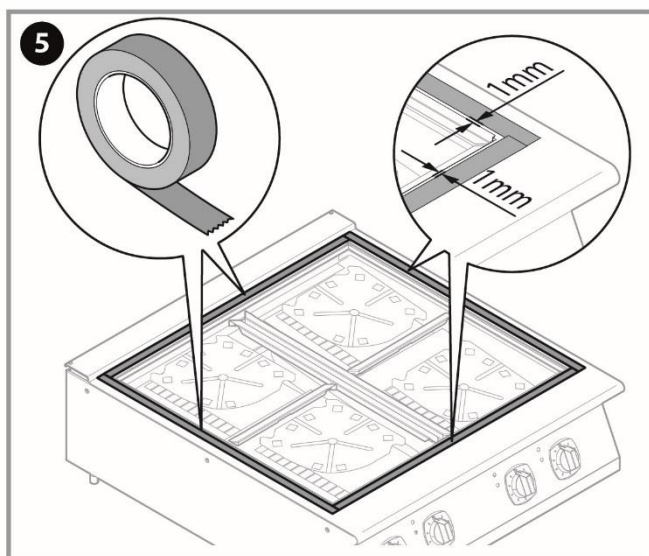
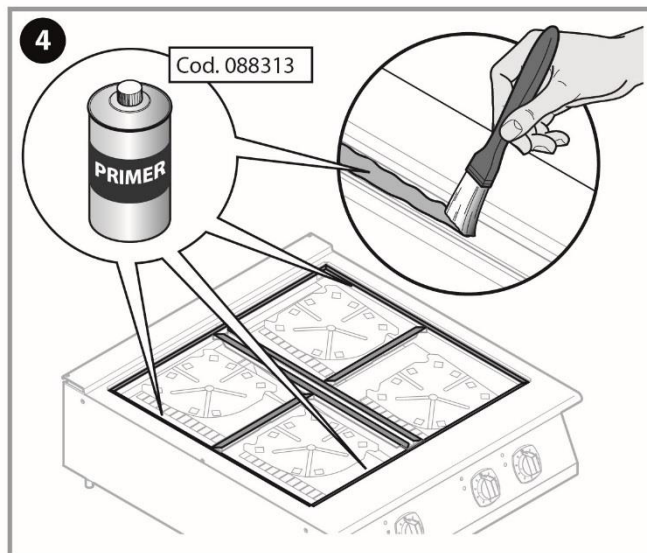
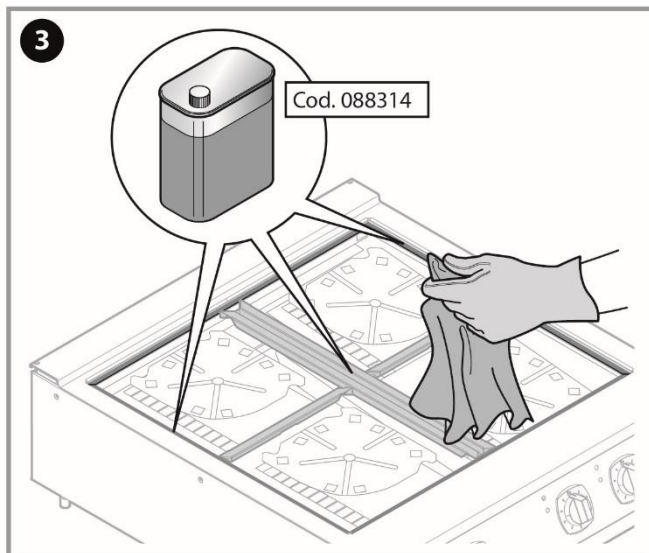
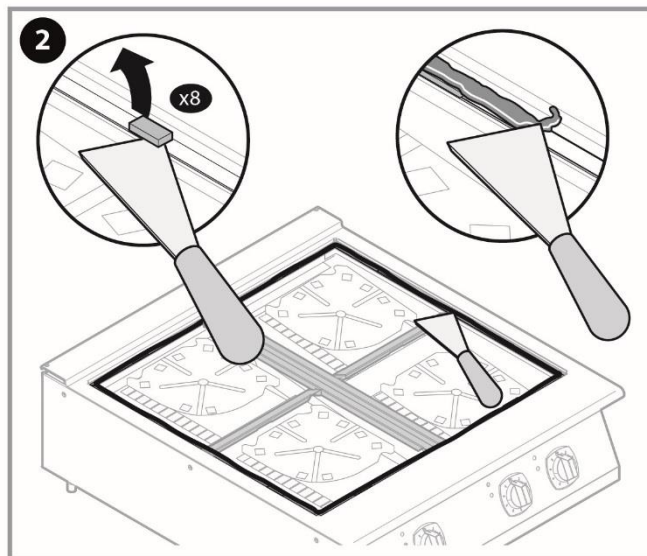
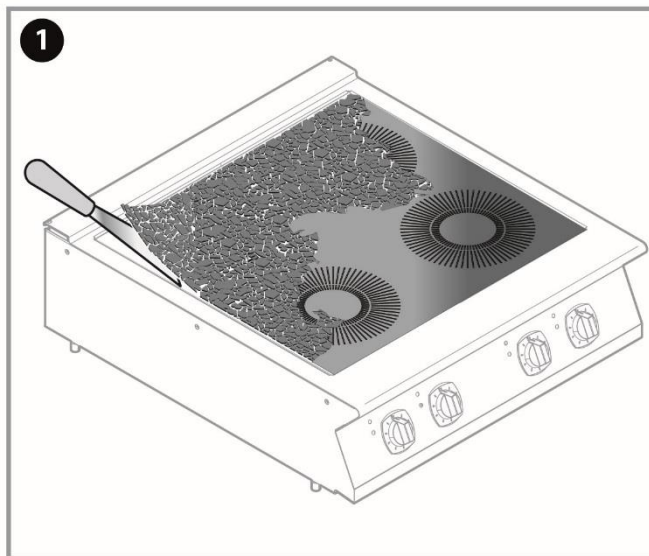


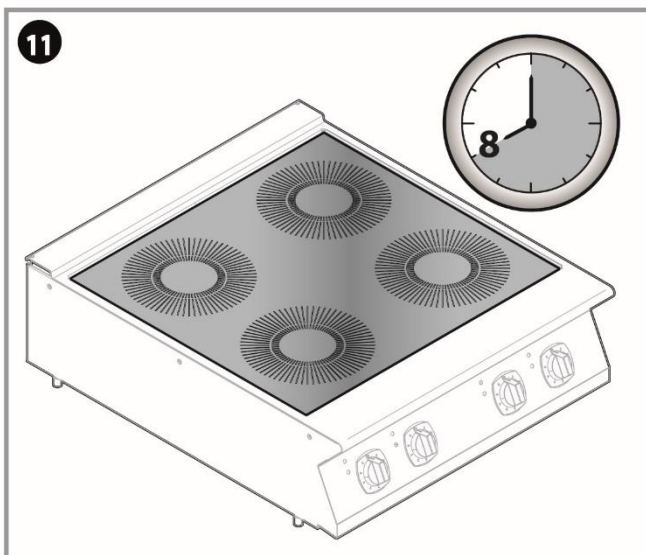
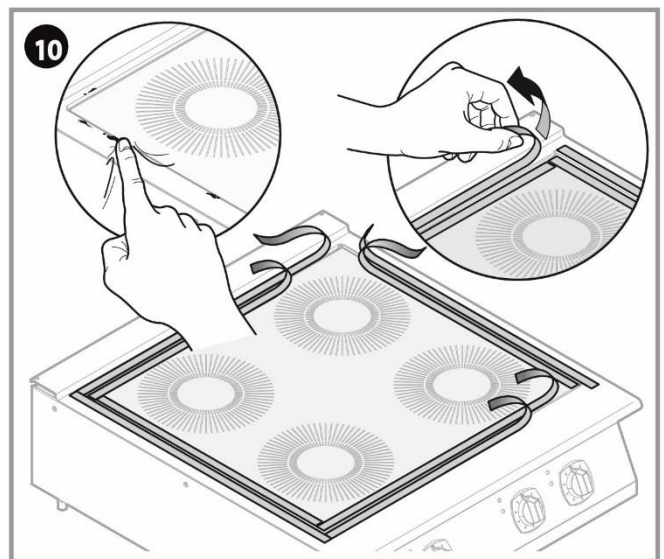
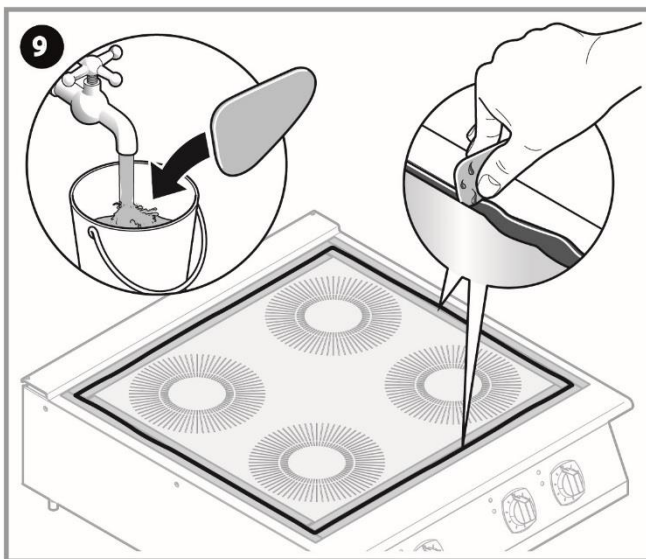
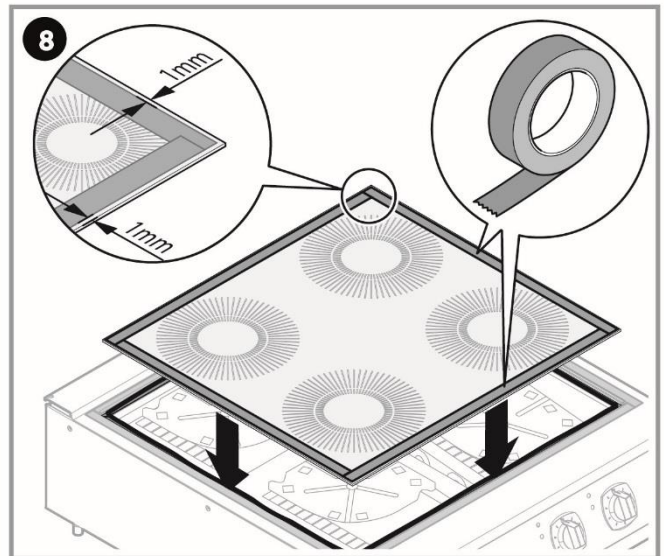
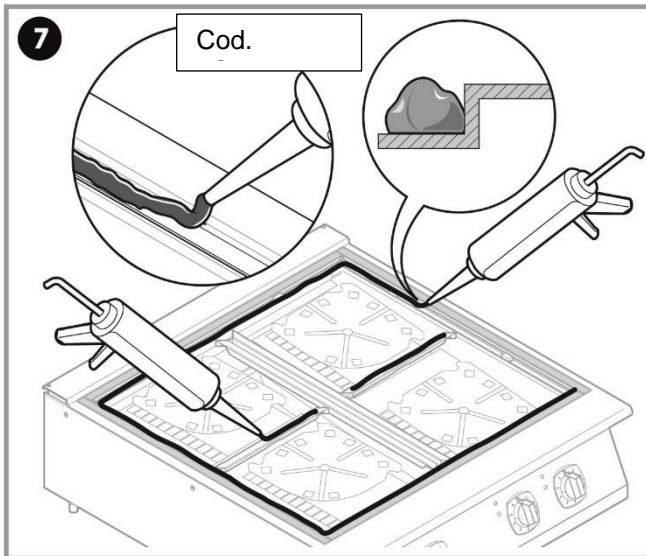
### NOTE:

- 1- Remove the screws that fix in place the generators assembly.
- 2- Pull out the assembly; be careful to not damage the communication cables.
- 3- Loosen and remove the fixing bracket of the generators.
- 4- Remove the generator and disconnect it's cables

## 6.4 GLASS, REPLACEMENT

In case that the glass brakes





- 1 Remove accurately all the broken glass residuals from the appliance
- 2 Remove all the silicone and spacers
- 3 Clean the surfaces with the solvent
- 4 Apply a layer of primer onto the cleaned surfaces
- 5 Apply the paper type to the stainless top
- 6 Place and fix with Loctite two glass spacers on each side
- 7 Lay a silicone stripe
- 8 Apply the paper type to the glass top
- 9 Carefully spread the silicone with a wet spatula (water will avoid the silicone to stick to the spatula).
- 10 Remove the paper type and clean the excess silicone.
- 11 The silicone will dry in approximately 8 hours

# 7 COMPONENTS FUNCTIONING

A description of how the key components work



## WARNING!

Take GREAT CARE when testing anything with live current, if you are unsure what you are doing and how to use your equipment safely then **DON'T DO IT**.

## 7.1 SELECTOR AND POTENTIOMETER

There are different type of selectors

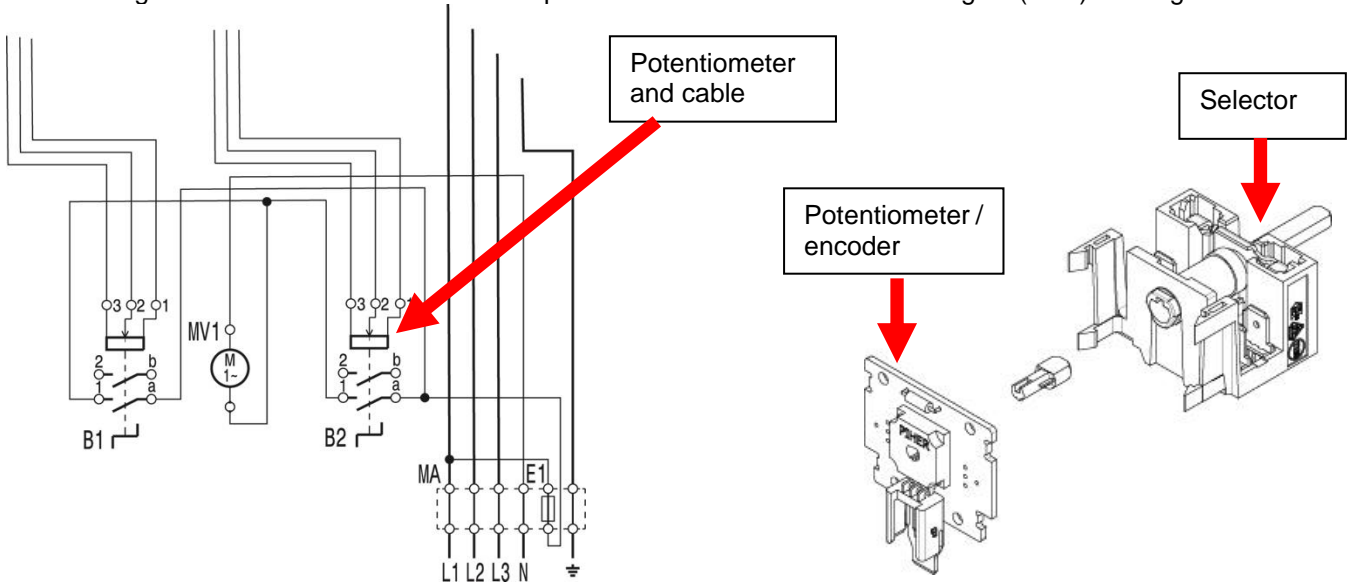
### 7.1.1 SELECTOR INSTALLED UNTIL WK05-2017

This selector was in use until WK 05-2017.

Each appliance is equipped with TWO/FOUR selectors B1,B2,B3, and B4 (depending on model)

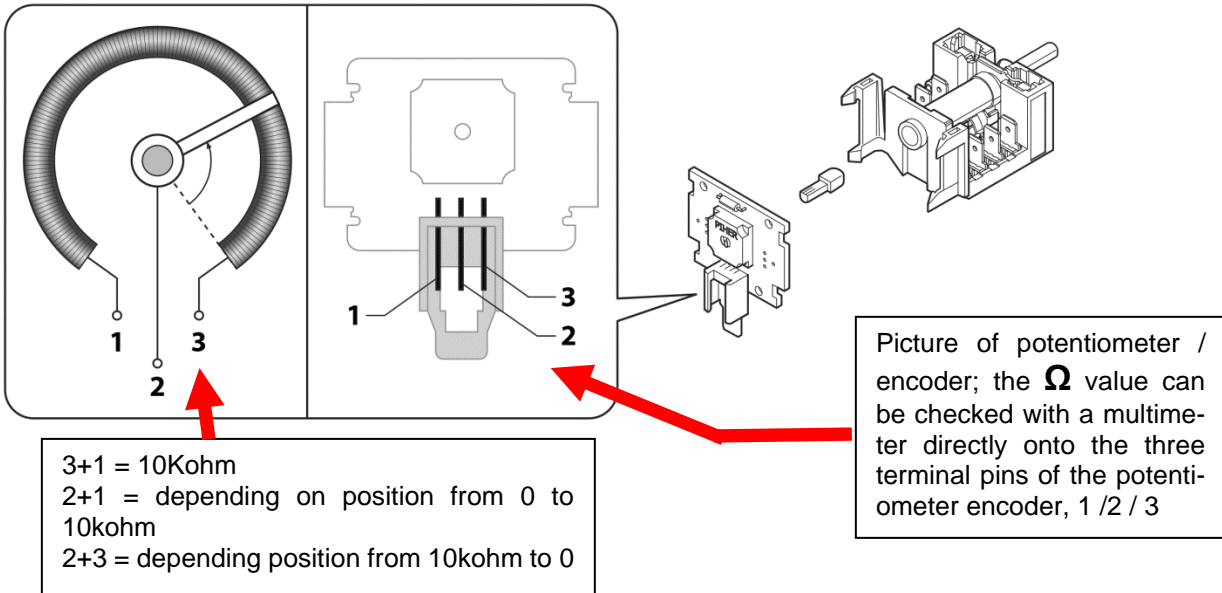
Each selector will control a different zone / energy regulation.

L1 (supply voltage) will arrive to the selector directly through the fuse E1 of the main terminal board, if the selector is rotated the contact B a/1 will close and supply the MV (aeration motor ventilator). The motor ventilator will be always turned on , it's functioning is not related any way to the function/temperature of the generator. The generator is always supplied, so once that the selector/potentiometer is rotated the generator will sense the OHM  $\Omega$  value chagement and turn on the zone. The potentiometer cable is resistance signal (ohm) to the generator.



Depending of the setted position of the control panel knob we will vary the OHM  $\Omega$  output of the potentiometer; the generator will then transform this OHM value into an algorithm and decide the output power to the zone (refer to § GENERATOR POWER OUTPUT for the output power values).

POSITION	0-10°	10-350°	350-360°
RESISTIVE ENCODER			



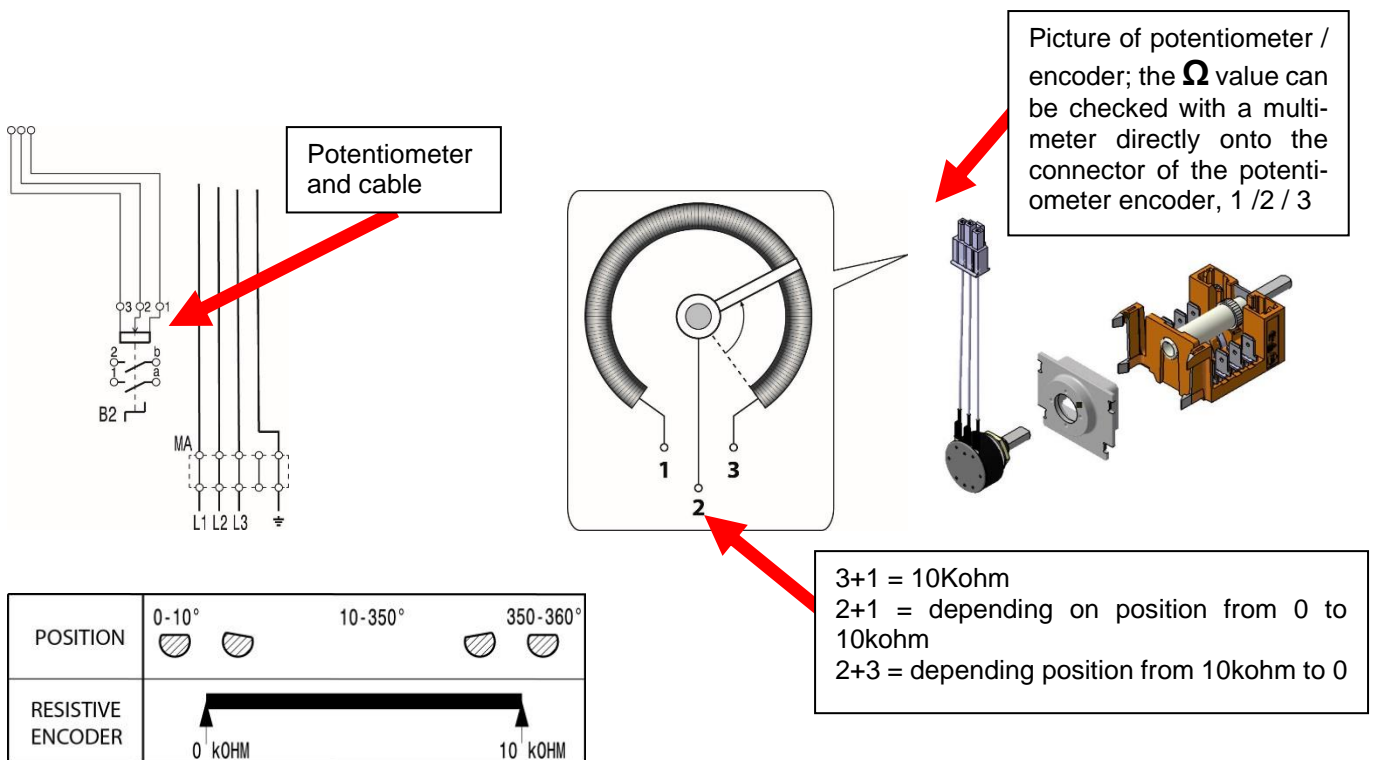
### 7.1.2 SELECTOR INSTALLED FROM WK 06-2017

This selector has been in use since WK 06-2017.

Each appliance is equipped with TWO/FOUR selectors B1,B2,B3, B4 (\* depending on model)

Each selector will control a different zone / energy regulation.

The generator is always supplied, so once that the selector/potentiometer is rotated the generator will sense the OHM  $\Omega$  value chngement and turn on the zone. The potentiometer cable is resistance signal (ohm) to the generator.



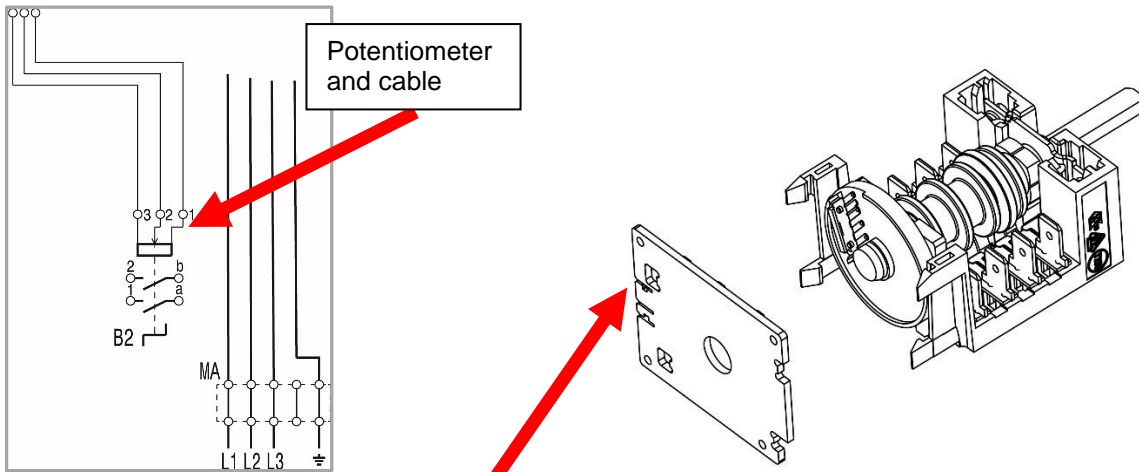
### 7.1.3 SELECTOR INSTALLED FROM WK 17-2023

This selector has been in use since WK17 2024. Refer also to T.Bulletin PDX2023-02.

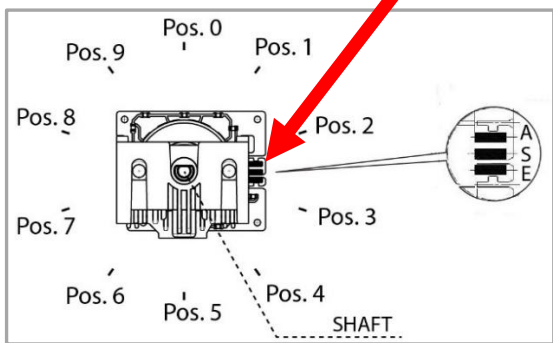
Each appliance is equipped with TWO/FOUR selectors B1,B2,B3, B4 (\* depending on model)

Each selector will control a different zone / energy regulation.

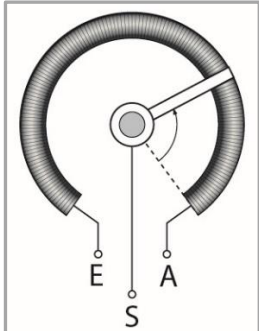
The generator is always supplied, so once that the selector/potentiometer is rotated the generator will sense the OHM  $\Omega$  value chngement and turn on the zone. The potentiometer cable is resistance signal (ohm) to the generator.



Picture of potentiometer / encoder; the  $\Omega$  value can be checked with a multimeter directly onto the connector of the potentiometer encoder, A / S / E



**E+A = 10Kohm**  
**S+E =** depending on position from 0 to 10kohm  
**S+A =** depending position from 10kohm to 0



POSITION	0-10°	10-350°	350-360°
RESISTIVE ENCODER			

## 7.2 GENERATOR

There are different types of generators, their identification is necessary to understand their functioning.

### 7.2.1 IDENTIFICATION

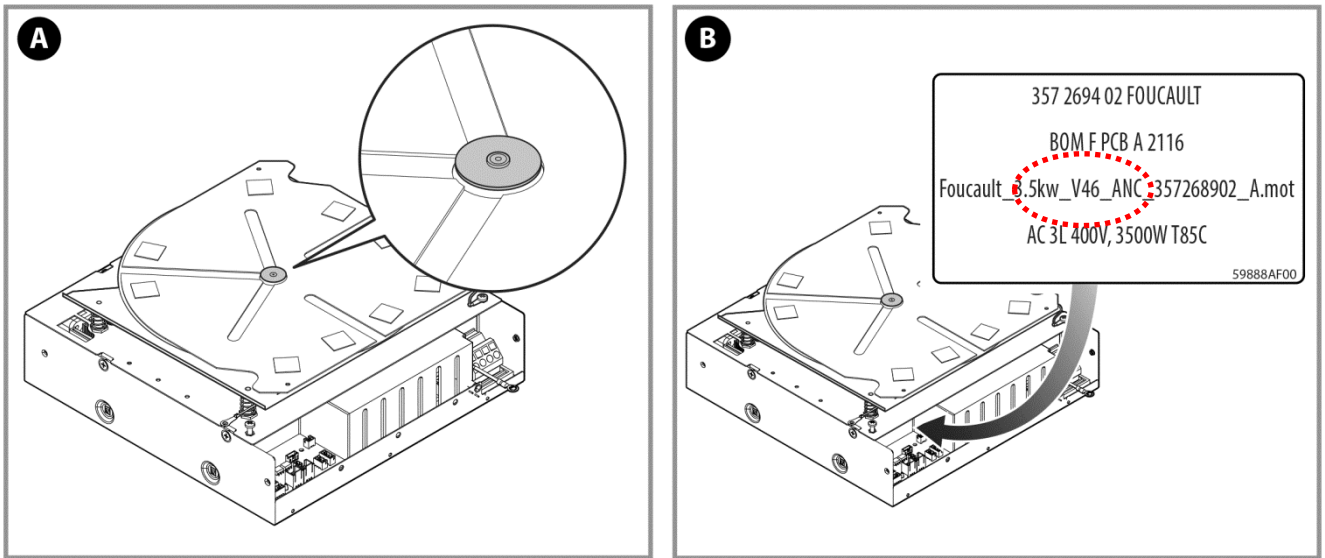
There are different types of generators, 3,5kw (400v) and 5kw (400v), they can be identified by a sticker placed on the side of the generator or chaise.

Generators can have different inner software depending on their edition; refer to the next chapters.

### 7.2.2 FOUCAULT 1, GENERATORS UNTIL WK05-2017

All generators that can be identified with these editions of software will be "first" edition generators, **FOUCAULT I**.

The following picture "B" is an example of the sticker that can be found on the generator , **FOUCAULT I**.



A= in the picture is indicated the temperature probe sensor of the coil (it cannot be replaced).

The **FOUCAULT 1** generators have unique output power setting levels (refer to § 7.2.5 for the output power).

#### Software:

**V46** = with this type of software some alarm errors cannot be reset with the knob procedure "turn to zero and restart"

You will have to reset the alarms by removing power to the appliance from the mains for a few seconds and then resupply voltage.

**V49** = with this type of software some improvements were achieved but some alarm errors cannot be reset with the knob procedure "turn to zero and restart"

You will have to reset the alarms by removing power to the appliance from the mains for a few seconds and then resupply voltage.

**V50** = with this type of software all alarm errors can be reset with the knob procedure "turn to zero and restart" (of course if the alarm status persists the alarm will reappear immediately after the reset).

### 7.2.3 FOUCAULT 2, GENERATORS FROM WK06-2017- UNTIL WK 20 2019

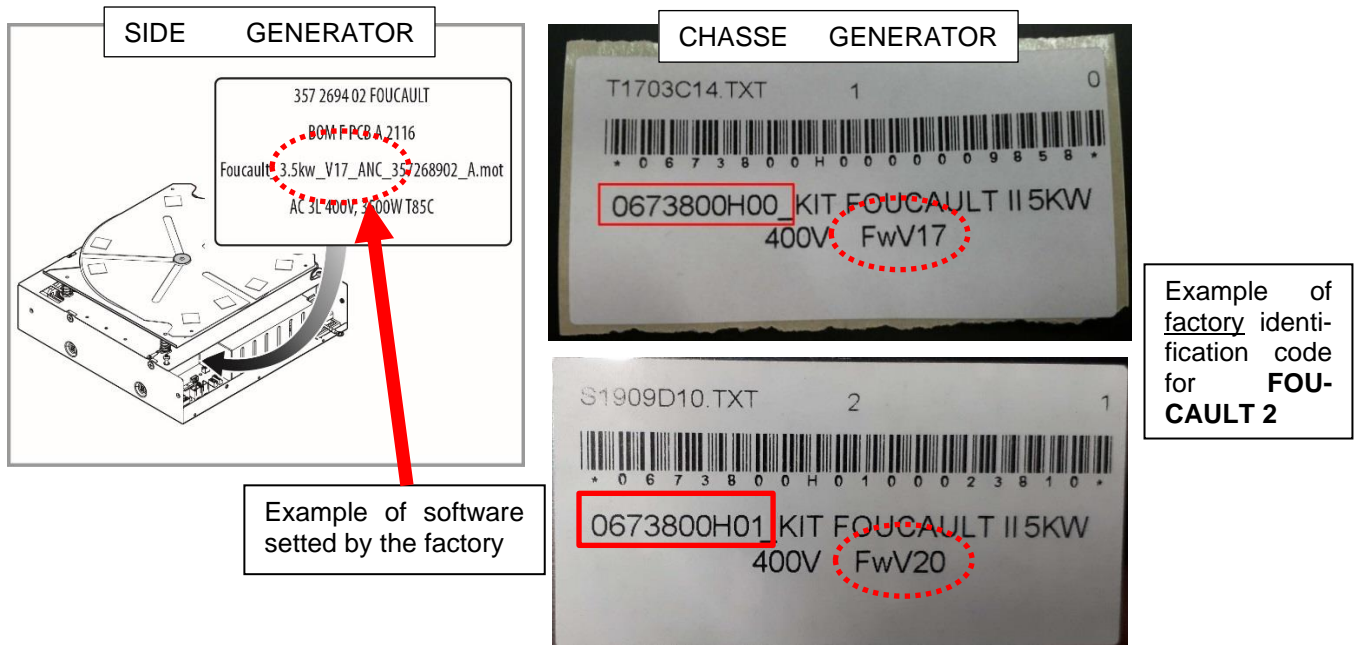
All generators can be identified with a specific factory code indicated in a dedicated sticker placed on:  
 -the side of the generator  
 -the chasseur of generator.

FOUCAULT 2 and have a unique output power setting levels (refer to § 7.2.5 for the output power).

**Software:**

**FW V17 & V20** = with this type of software all alarm errors can be reset with the knob procedure “turn to zero and restart” (of course if the alarm status persists the alarm will reappear immediately after the reset).

The ventilation of the generators will start at max power when the generator is turned on.



### 7.2.4 FOUCAULT 2.1, GENERATORS FROM WK21-2019

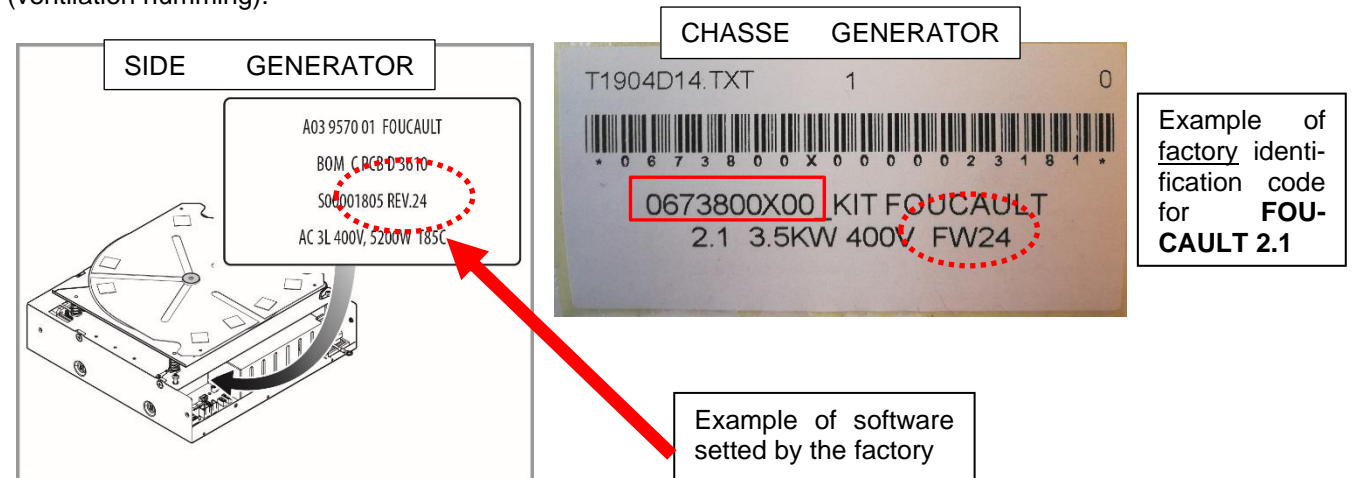
All generators can be identified with a specific factory code indicated in a dedicated sticker placed on:  
 -the side of the generator  
 -the chasseur of generator.

FOUCAULT 2.1 and have the same output power setting levels like F2 (refer to § 7.2.5 for the output power).

**Software:**

**FW24** = with this type of software all alarm errors can be reset with the knob procedure “turn to zero and restart” (of course if the alarm status persists the alarm will reappear immediately after the reset).

The ventilation of the generators will not start at max power when the generator is turned on, the motorventilators will speed up only if the generator is warming up. With this type of functioning the appliance will be less noisy (ventilation humming).



## 7.2.5 IDENTIFICATION, SPARE PARTS

With the introduction of generators F2.1 the spare part codes of the spare part catalogues have NOT CHANGED, however the factory codes have , this was necessary for the factory to keep trace of the new edition of software.

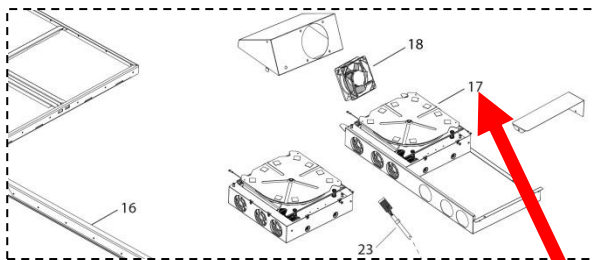
F1 is **NOT INTERCHANGEABLE** to F2 and F2.1 in case of these situations please refer to the tech.bulletin PDX2017-01 ED2.

F2 and F2.1. are interchangeable, the differences are only in the ventilator management system; refer to tech.bulletin PDX2019-01.

RETROFIT SPARE PART KITS (refer to tech.bulletin PDX2017-01 ED2) , the spare part codes have NOT CHANGED.

The factory codes can be found in the dedicated columns of the spare part catalogues attached in PRIDE.

NOTE: the example images are NOT realistic SPC of PRIDE ; they have only illustration purpose of what can be found in PRIDE.

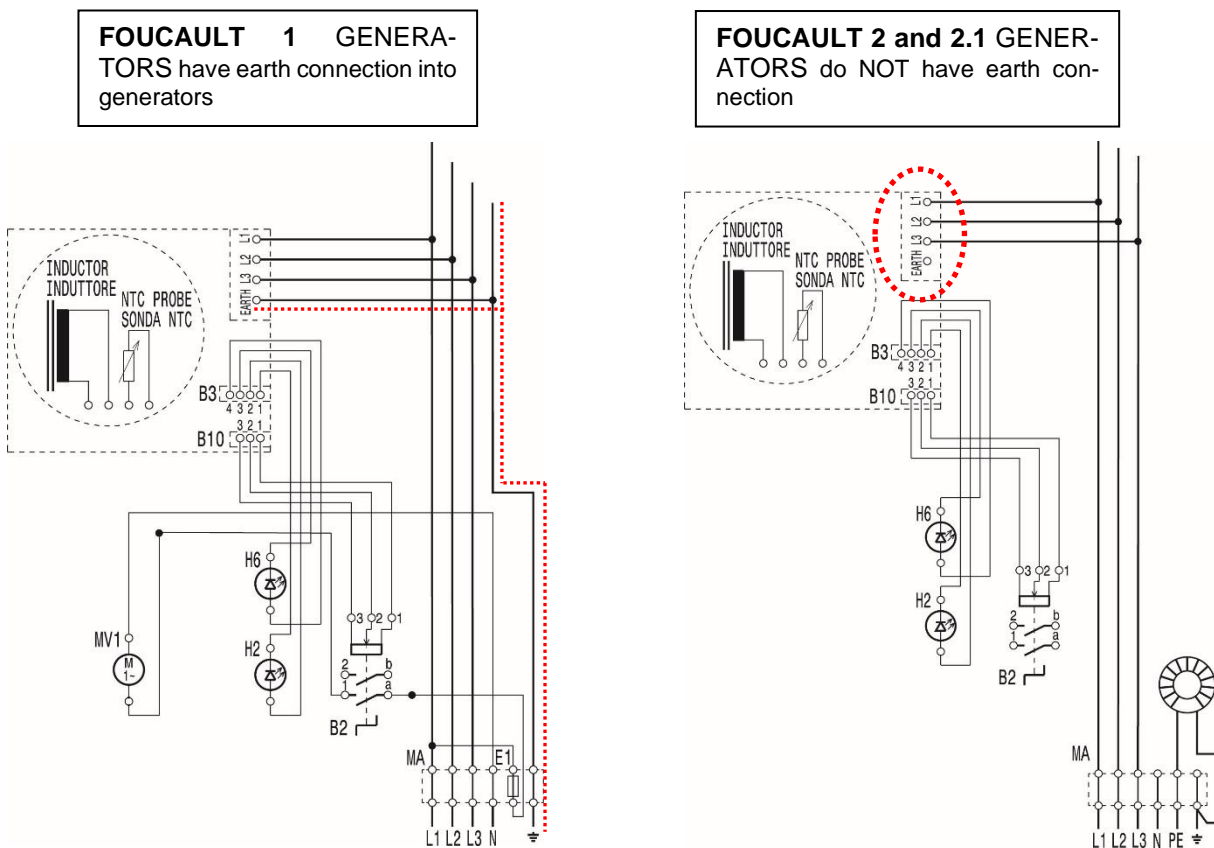


Pos#	Factory-Code#	Spare-Code#	Descrizione#	Description#	Ref./Note#
16#	85589BF00#	OC7874#	RIPIANO-INDUZIONE-400mm#	TABLE-TOP-400mm#	ZAN_OEM#
16#	85589BG00#	OC7875#	RIPIANO-INDUZIONE-800mm#	TABLE-TOP-800mm#	ZAN_OEM#
17#	80083AA04#	OCA029#	KIT-COMPLETO-FOCAULT#	COMPLETE-KIT-FOCAULT#	Untill-wk-05-2017# 5KW-400V#
17#	80083AB02#	OCA035#	KIT-COMPLETO-FOCAULT#	COMPLETE-KIT-FOCAULT#	Untill-wk-05-2017# 3.5KW-400V#
#	673800J00#	#	GENERATORE-FOCAULT-I-e-RETROFIT-KIT#	GENERATOR-FOCAULT-I-&-RETROFIT-KIT#	Untill-wk-05-2017# 3.5KW-400V#
#	673800F00#	#	GENERATORE-FOCAULT-III#	GENERATOR-FOCAULT-III#	FROM-wk-06-2017# 3.5KW-400V#
#	673800K00#	#	GENERATORE-FOCAULT-I-e-RETROFIT-KIT#	GENERATOR-FOCAULT-I-&-RETROFIT-KIT#	Untill-wk-05-2017# 5KW-400V#
#	673800H00#	#	GENERATORE-FOCAULT-III#	GENERATOR-FOCAULT-III#	FROM-wk-06-2017# 5KW-400V#
18#	624000000#	OC2378#	MOTOVENTILATORE#	MOTORVENTILATOR#	Untill-wk-05-2017#
19#	315200000#	O26806#	PIEDINO-CON-VITE#	SCREW-FOOT-FOR-TOP#	#
20#	850890000#	OC7201#	CRUSCOTTO-INDUZIONE-400mm#	CONTROL-PANEL-400mm#	ELKH

Example of factory code identification/generators in the dedicated column (PRIDE spare part catalogue).

## 7.2.6 GENERATORS CABALLING

Depending on the type of generator edition (refer to § 7.2.2 – 7.2.3), the wiring harness could be different:



## 7.2.7 GENERATOR POWER OUTPUT

When regulating the position of the control panel knob, depending on the position, you will obtain a different energy output.

**NOTE:** For spare part issues retrofit kits made with **Foucault 2.1** generators have been created for older appliances. The retrofit kits (identifiable with their specific factory code) have “**Foucault 1** power level setting” but are built with the **2.1** edition generators!.

In the following charts is summarized the power outputs obtainable.

<b>3.5kw Generator Foucault power levels</b>			
Generators <b>FOUCAULT 1</b> ,installed until Wk 05-2017 & <b>RETROFIT KITS FOUCAULT 2/2.1</b>		Generators <b>FOUCAULT 2/2.1</b> , installed from Wk 06-2017	
Position selector	Power output (W)	Position selector	Power output (W)
Step 1	130	Step 1	150
Step 2	180	Step 2	250
Step 3	250	Step 3	550
Step 4	600	Step 4	850
Step 5	1000	Step 5	1000
Step 6	1450	Step 6	1650
Step 7	2050	Step 7	2250
Step 8	2750	Step 8	2800
Step 9	3500	Step 9	3500

**NOTE:** for spare part issues retrofit kits made with **Foucault 2 / 2.1** generators have been created for older appliances. The retrofit kits (identifiable with their specific factory code) have “**Foucault 1** power level setting” but are built with the **F2 / 2.1** edition generators!.

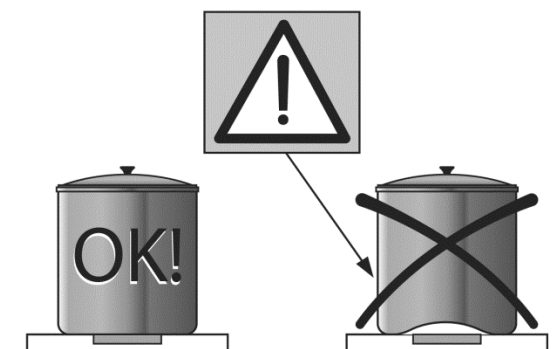
<b>5kw Generator Foucault power levels</b>			
Generators <b>FOUCAULT 1</b> ,installed until Wk 05-2017 & <b>RETROFIT KITS FOUCAULT 2/ 2.1</b>		Generators <b>FOUCAULT 2 / 2.1</b> , installed from Wk 06-2017	
Position selector	Power output (W)	Position selector	Power output (W)
Step 1	166	Step 1	150
Step 2	305	Step 2	250
Step 3	533	Step 3	550
Step 4	736	Step 4	850
Step 5	1500	Step 5	1000
Step 6	2100	Step 6	1650
Step 7	3000	Step 7	2250
Step 8	4000	Step 8	3400
Step 9	5200	Step 9	5200

### 7.3 INDUCTION POTS, PRECAUTIONS

All pots must be designed to be used on induction appliances; generally all are branded with the indicated logo on the bottom.



- Use pots with bottom in iron, iron plate, enameled iron, cast iron, special multilayer metal
- Do not use pots in layered metal with aluminum body and open edge.
- The heating system will not work with unsuitable materials; these are: nickel chromium, S/steel, aluminum, copper, brass, glass, porcelain
- Pots with diameter less than approx. 12cm are not recognized by the system or could create tech issues with the generators (overheating or other alarm messages).
- Do not use pots with a MAX diameter of 28cm or higher, this in order to obtain the maximum heating efficiency.
- To avoid compromising inductor functionality, never use pots with bottoms that are not perfectly flat: the temperature may not be measured correctly, damaging the appliance.



Do not use empty pots or pans on the appliance as they can quickly (in a few seconds) reach very high temperatures.

### 7.3.1 PERFORMANCE

Not all pans have the same performance; some pans will have the induction logo



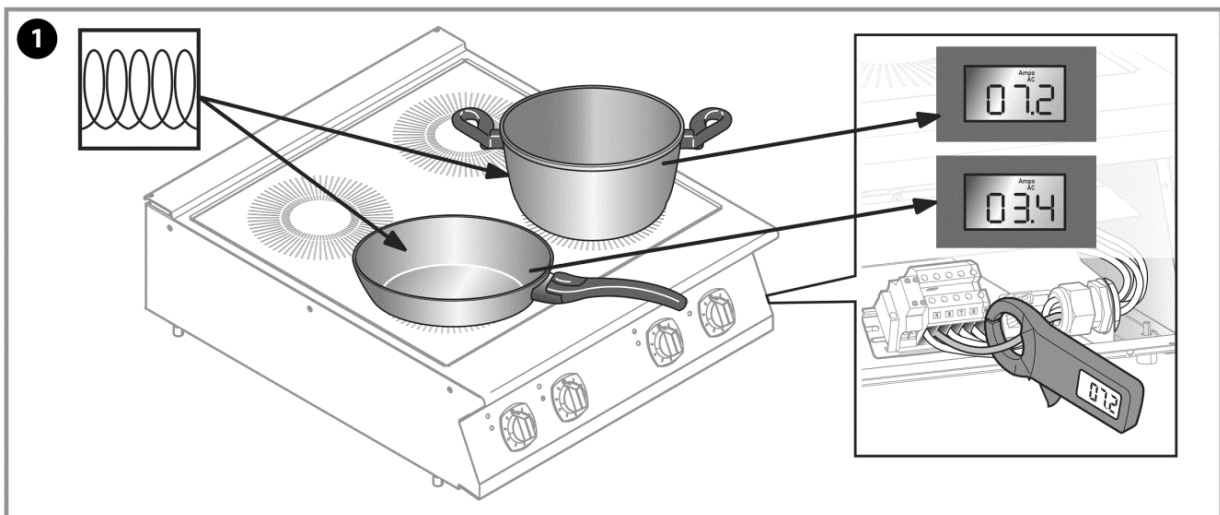
but will not perform / respond in a good manner.

A quick way to check if the pan is suitable for induction is to use a magnet: if it will stick to the bottom of the pan (part in contact with the induction top) this means the pan will probably work on induction appliance otherwise it will not.

In the picture 1 is an example of the power absorbed by a «bad» pan and a «good performing» pan; both pans are suitable for induction appliances, but one pan is responding better.

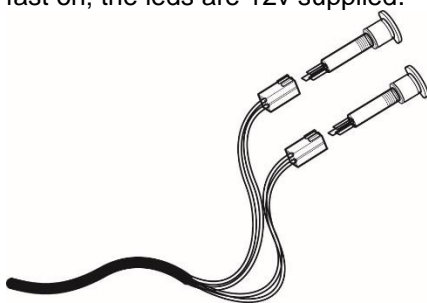
To check the «performance» of pans we suggest checking the power (AMPS) absorbed on each generator with a current clamp, regulate the zone at full power measure and swap pans on the same zone!; remember that there are different editions of generators with different power output levels (refer to § 7.2.5) if you compare different zones there could always be a possibility to have onboard different generators.

Refer also to §2.3 APPLIANCE LOAD



### 7.4 LEDS & BLINK CODE

The appliance will provide information regarding alarms and other functions by means of blinking the leds. The leds of the control panel have a particular connection: the blue wire must be connected onto the “gold plated” fast on; the leds are 12v supplied.

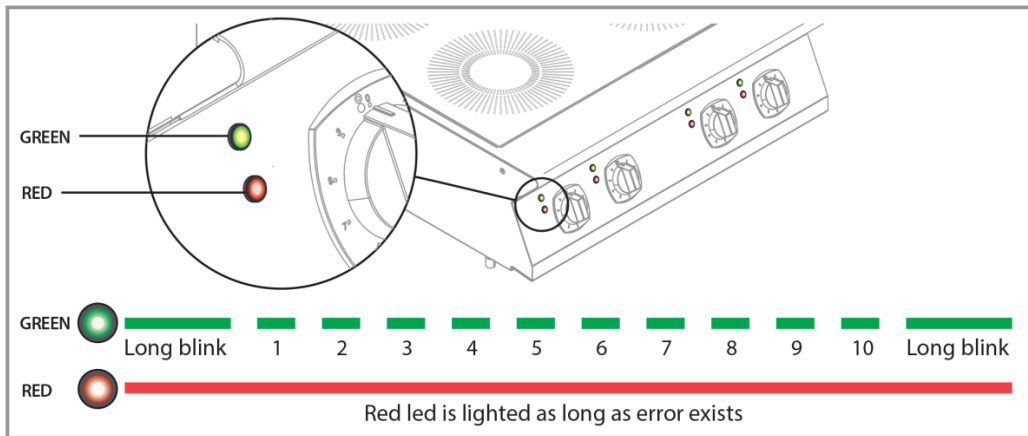


When the appliance is energy supplied:

- **GREEN LED IS LIT:** This means that a pan is positioned on the cooking top and detected; the selector is regulated in position 1/9. The appliance is working correctly

-**ONLY GREEN LED BLINKING:** This means that no pans are positioned onto the cooking top or the pan is not detected/suitable. The knob must be turned on (selector is regulated in position 1/9), the generator will go in “detection mode”, the green led will blink endlessly to indicate this mode.

-**RED LED IS LIT AND GREEN LED IS BLINKING:** Red led indicates an alarm; green led will blink a certain amount of times when there is an alarm. Count the blinks to know the type of alarm occurred.



**The following points will be useful to understand the meaning of the «blinking led lights»**

- When the appliance is powered up (first start up or turning on power from the mains) a led test will occur, red and green led will light up together for 2 seconds.
- When a zone is turned on if the two leds blink together continuously it means that generator needs reprogramming (service call).
- If a cooking zone is turned ON with no pans positioned, the cooking zone generator will go in detection mode and the GREEN LED will blink continuously; most of the times this will occur when you remove the pan from an active zone because the foodstuff is cooked; all is fine, once a pan is positioned again onto the detection zone the generator will restart to output energy.
- Blinking: faults are detected by the Foucault generator and forwarded to the green led under means of a blink code.

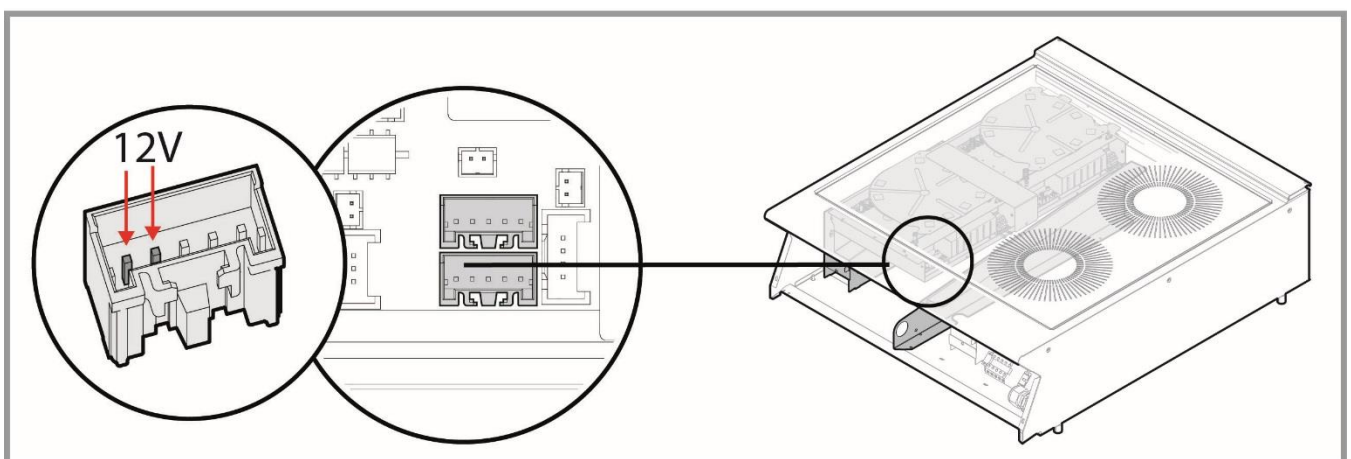
**In case of an alarm situation the RED led will be lighted and the GREEN LED will blink.**

The duration and frequency of the green led blink will indicate the alarm code.

NOTE: be careful to not place any type of GN pan onto the cooking top when the zones are in standby, in case that the GN pan gets detected the zone will turn on and heat up the pan to extreme temperatures.

**7.4.1 LED POWER SUPPLY CHECK (INNER GENERATOR 12V VOLTAGE ADAPTOR)**

If the leds do not work there is possibility to check if the inner voltage adaptor is functioning . The voltage adaptor is a component located inside the generator and cannot be replaced, but It can be checked. Locate the connectors , check the indicated pins; If there is no voltage (12v) on these pins the inner transformer is broke. The generator can work without the leds, if you need the leds then you need to replace the generator.



## 8 TROUBLESHOOTING (ALARMS) AND TIPS

GENERATOR BLINKING	DESCRIPTION	CAUSE / CHECK / ACTION
Red and green led continuously blinking	Inner error of generator programming	When appliance is connected to power the led's will blink continuously; generator needs to be reprogrammed / Replace generator
Red and green led continuously lighted	Lamp test	When appliance is connected to power, a lamp test happens for two seconds; it's just a lamp check, nothing to do, all is normal.
Green led continuously blinking	Detection mode	If cooking zone is tuned ON with no pans positioned, the relative zone / generator will go in detection mode.
Green led on	Normal functioning	A pan is positioned on a zone , the selector is activated (level 1 to 9 ), pan has been recognized by the generator that is consequently emitting energy according to the "power output table"
/	<b>Loss of performance</b>	If the appliance just loses performance without any blink alarm code; check air filter: if poor ventilation will reach the generator, automatically, in case of inner overheating, the generator will limit the output power / clean air filter or obstructions

GENERATOR BLINKING CODE	DESCRIPTION	CAUSE / CHECK / ACTION
1	Overheated coil (pan not suitable)	Unsuitable pan material / Overheating of empty pan / check power consumption on pans
2	A phase is not connected or not "good" ( full power will not work)	Check the current / phase
3	Ambient o brake down on IGBT (inner component of generator)	Check air filters / clean ventilators fan / Replace generator
4	Selector disconnected	Check cable / Replace generator
5	Brake down of el.board (inner voltage adapter )	Replace generator
6	Motorventilator fan is jammed	Check motor ventilators of generator / Replace generator
7	Coil probe disconnected	Replace generator
8	Power failure	Check the current/ reset and restart
9	Motorventilator not connected	Tachometer sensor defective / Check motor ventilators of generator / Replace generator
10	Brake down of el.board (inner relay stuck )	Replace generator
11	Coil probe short circuit / broke	Replace generator
13	Voltage of mains not sufficient or frequency is out of range	Check Hz $\pm 6\%$ ; Voltage $\pm 10\%$ of data plate indicated value
15	Brake down of el.board (inner ADC )	Replace generator

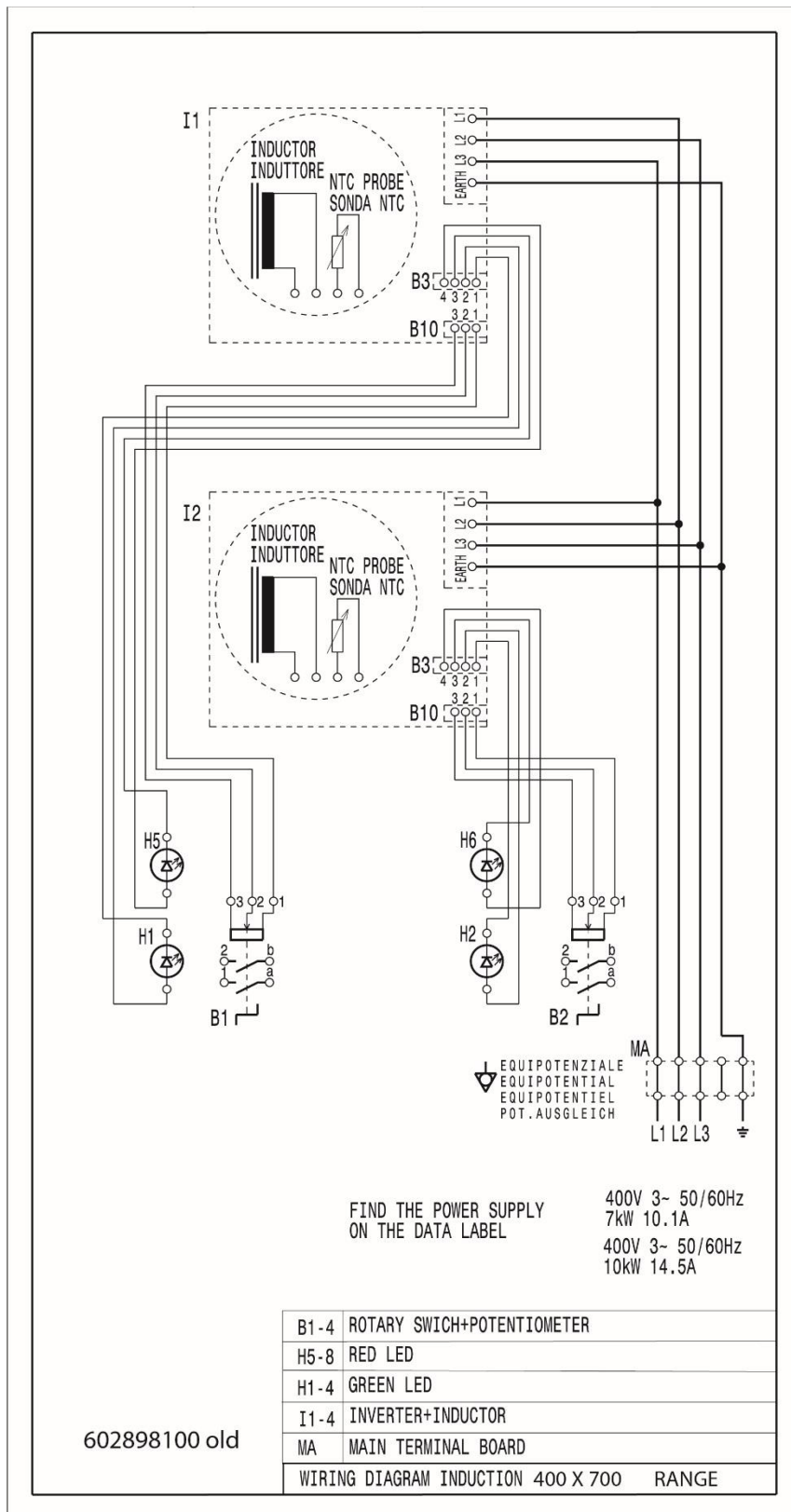
**Alarm reset:** Depending on the internal software of the generator some faults can be manually reset; just turn the knob to the zero position and restart; refer to chapters 7.2.2., 7.2.3 & 7.2.4

# 9 ELECTRIC WIRING DIAGRAMMS

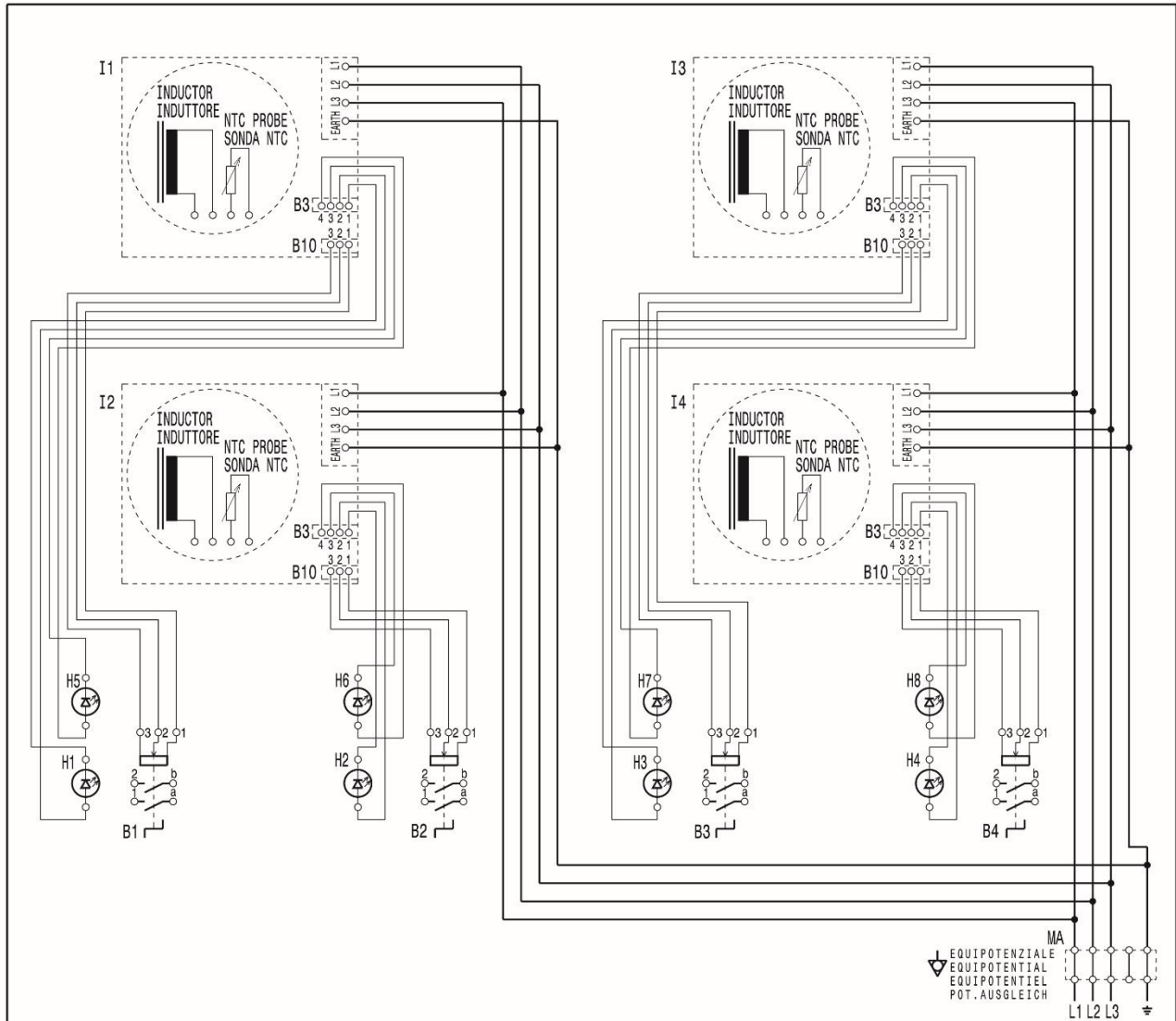
There are different EWD's for appliances built after week 06 – 2017.

In some appliances the GND cables have been removed and the MV (motorventilator), consequently the N (neutral) is not necessary any more.

400MM X 700 APPLIANCES BUILT UNTIL WK 05-2017:



800MM X 700 APPLIANCES BUILT UNTIL WK 05-2017:



FIND THE POWER SUPPLY  
ON THE DATA LABEL

400V 3- 50/60Hz  
14kW 20.2A  
400V 3- 50/60Hz  
20kW 29A

B1-4 ROTARY SWICH+POTENTIOMETER

H5-8 RED LED

H1-4 GREEN LED

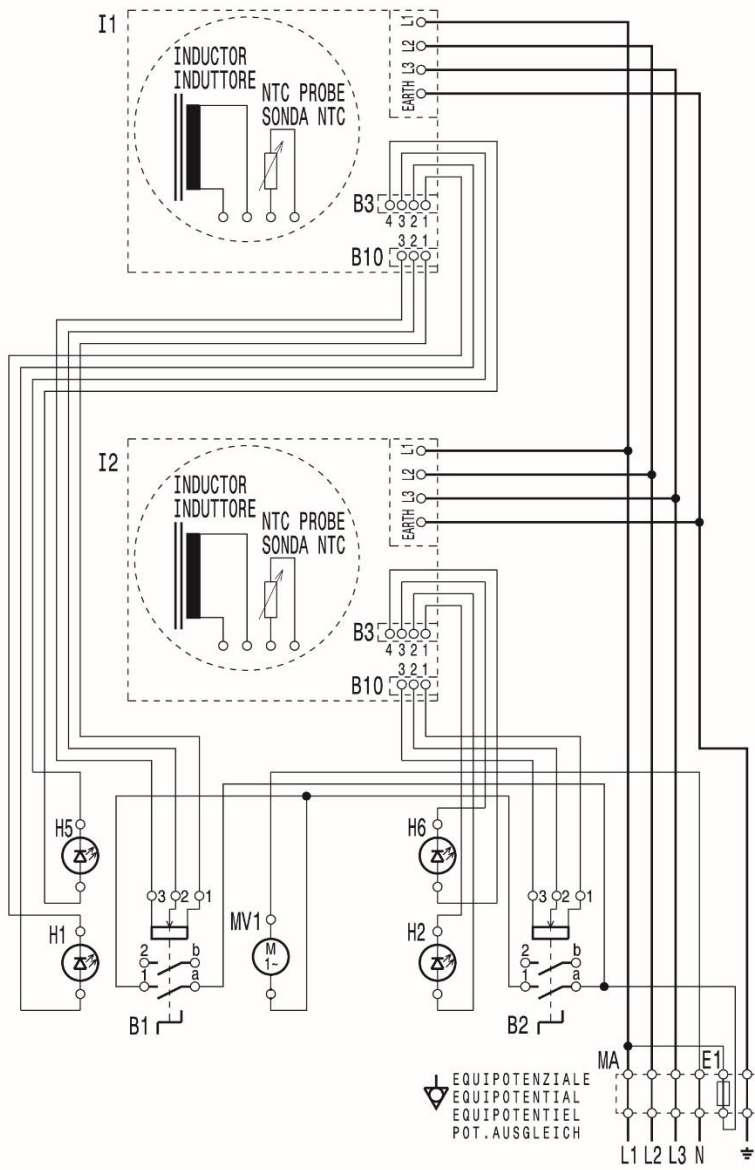
I1-4 INVERTER+INDUCTOR

MA MAIN TERMINAL BOARD

WIRING DIAGRAM INDUCTION 800 X 700 RANGE

602898100 old

400MM X 900 APPLIANCES BUILT UNTIL WK 05-2017:

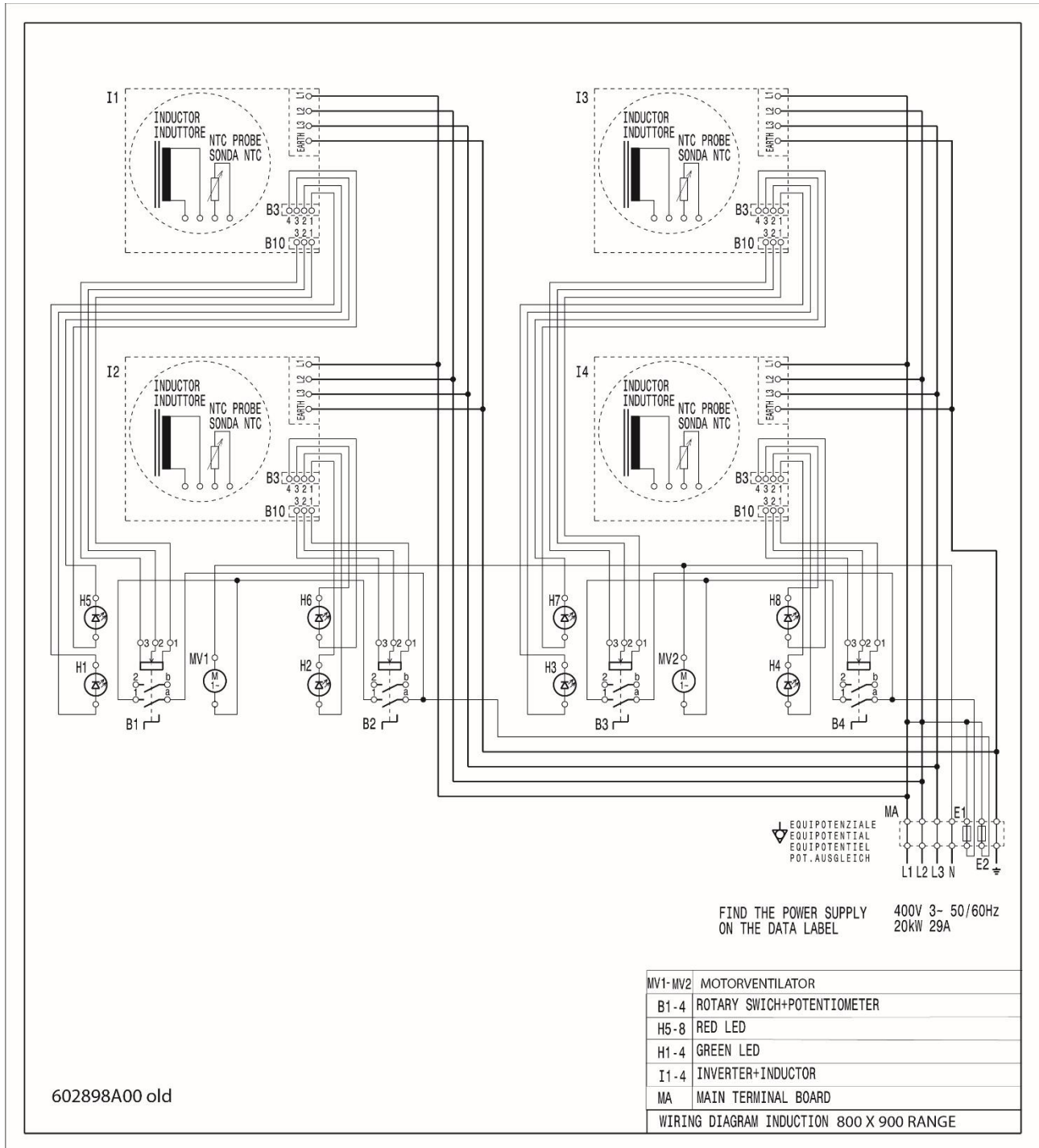


FIND THE POWER SUPPLY ON THE DATA LABEL 400V 3N- 50/60Hz  
10kW 14.5A

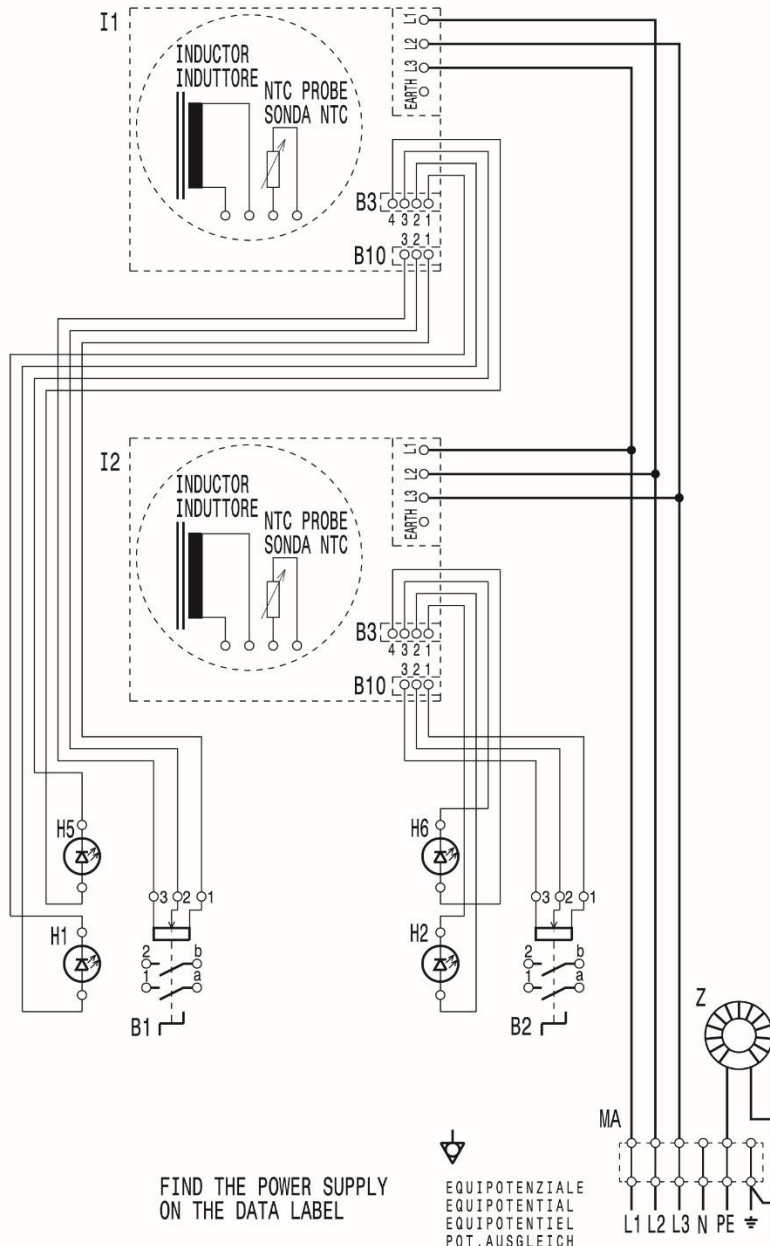
602898A00 old

MV1	MOTORVENTILATOR
B1-4	ROTARY SWICH+POTENTIOMETER
H5-8	RED LED
H1-4	GREEN LED
I1-4	INVERTER+INDUCTOR
MA	MAIN TERMINAL BOARD
WIRING DIAGRAM INDUCTION 400 X 900 RANGE	

800MM X 900 APPLIANCES BUILT UNTIL WK 05-2017:



# 400MM X 700&900 APPLIANCES BUILT FROM WK 06-2017:



FIND THE POWER SUPPLY  
ON THE DATA LABEL

RICAVARE I DATI DI  
ALIMENTAZIONE  
DALLA TARGHETTA  
CARATTERISTICHE

EQUIPOTENZIALE  
EQUIPOTENTIAL  
EQUIPOTENTIEL  
POT. AUSGLEICH

MA  
L1 L2 L3 N PE  
400V 3~ 50/60Hz  
7kW 10.1A  
400V 3~ 50/60Hz  
10kW 14.5A

Z	FILTER
B1-4	ROTARY SWICH+POTENTIOMETER
H5-8	RED LED
H1-4	GREEN LED
I1-4	INVERTER+INDUCTOR
MA	MAIN TERMINAL BOARD
WIRING DIAGRAM INDUCTION 400 X 700 & 900 RANGE	

682898101 NEW

# 800MM X 700&900 APPLIANCES BUILT FROM WK 06-2017:

