



MOD : CBT51/EV

Production code : LF05TE-M24T

Jet engine compressor drawings

Creative
MARKET

10/2025

PIEGHE IN GIU'

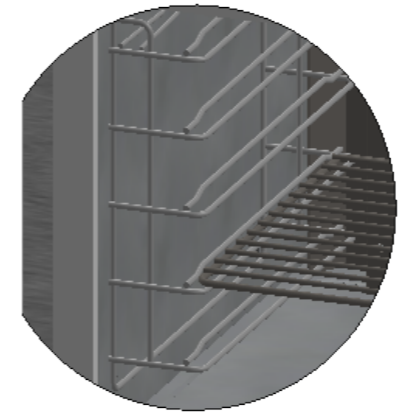
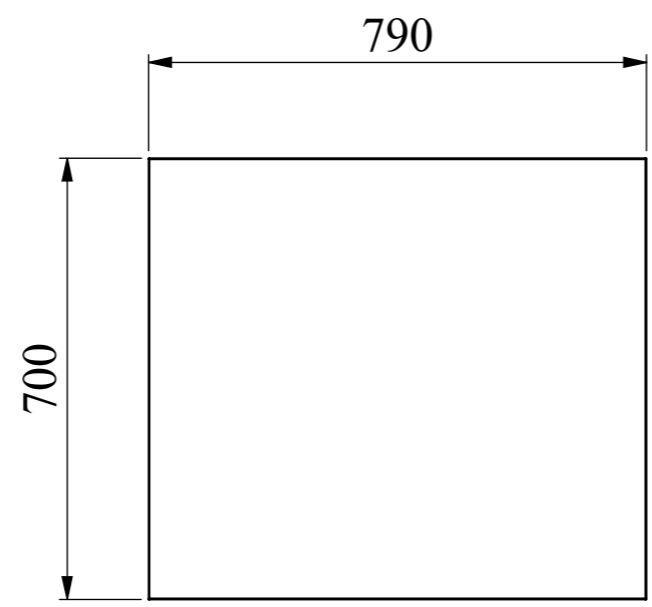
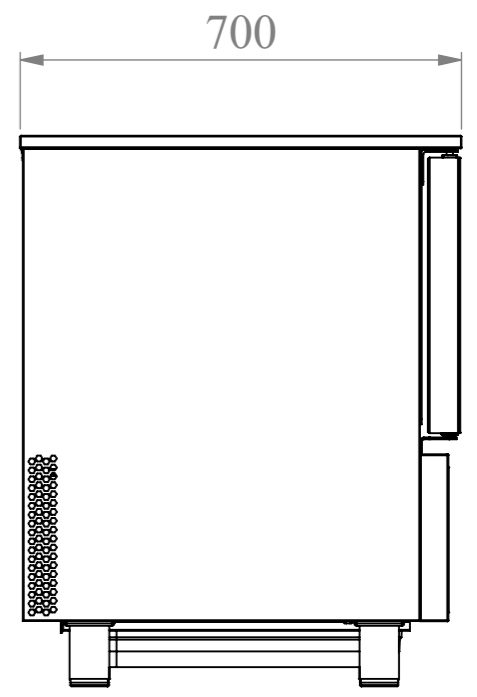
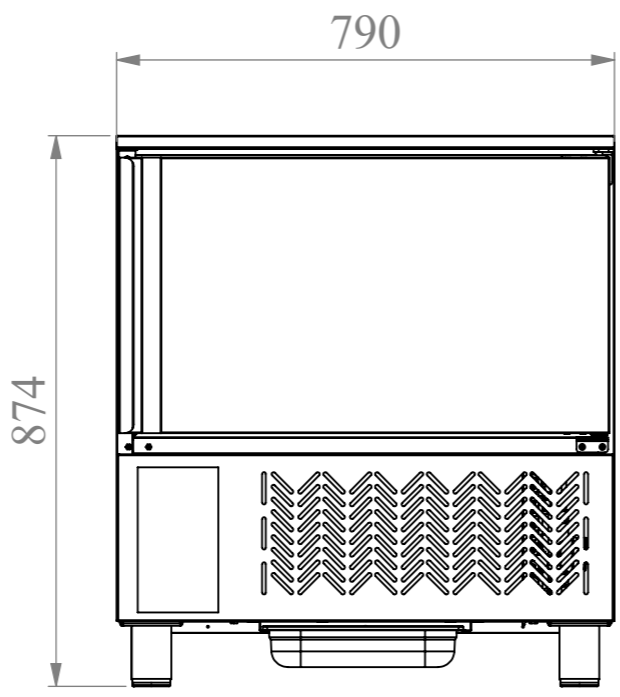
 PIEGHE IN SU'

This drawing contains confidential information and is the property of DIAMOND, without whose permission it may not be copied, shown or handed to a third party or otherwise used, and it is to be returned promptly upon request to the DIAMOND, which is responsible for the drawing. SUPPLY SPECIFICATIONS / SPECIFICHE DI FORNITURA
 Remove all punching burrs after machining or press-forming process. draft angle 2°
 fillets not quoted R=2, internal bend radius as thickness, chamfers not quoted: 0.5x45°.
 For other specifications please contact the technical department.

	0.4	0.2/100
	0.4	0.2/100
	0.25	0.2/100

Angles ± 1°
 Angoli ± 1°

General tolerance - Tolleranza generale: UNI EN 227 68/1 - C	
Length and diam. Lungn. e diametri	> 4000 2000 1000 315 120 30.0 120 315 6.00 30.0 6.00 30.0
Tolerance Tolleranza	± 0.2 ± 0.5 ± 0.8 ± 1.2 ± 2.0 ± 3.0 ± 4.0 ± 5.0



DETTAGLIO A
 SCALA 1 : 6



 Chaussée de Vilvorde 92 Brussels - Belgium	RIFERIMENTO / Reference CODICE CBT51/EV	FINITURA/Finish SB	PESO/Weight (kg)
		MATERIALE/Material	SCALA/Scale 1:12
		GREZZO/Stock size mm	ORIENTAMENTO
		SIMMETRICO/Simmetrical code	FIRMA/Sign GB
Il presente disegno è proprietà della DIAMOND. Non può essere copiato o mostrato a terzi senza preventiva autorizzazione scritta. La Società tutelerà a termini di legge. This drawing is property of DIAMOND. It may not be reproduced nor disclosed to third parties without the written consent of DIAMOND. Any abuse will be prosecuted.			REV/Rev 00

