



**MOD: WR-MS32-20**

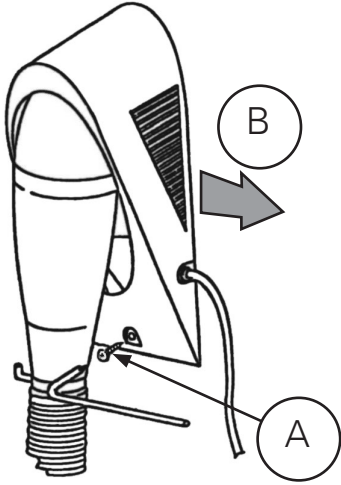
**Production code: 320TR\_**

## WALL MOUNTED HAIR DRYERS

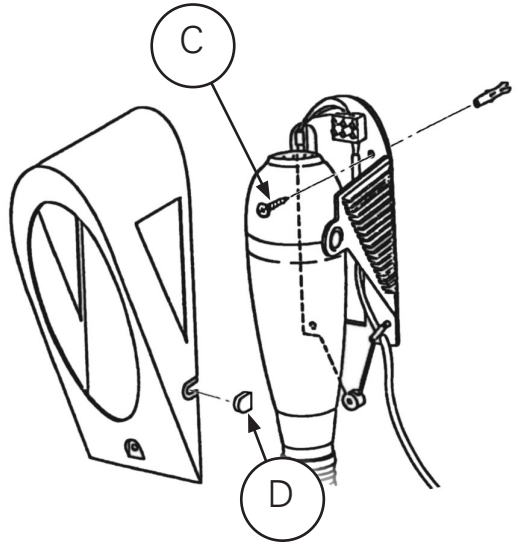


**USE AND MAINTENANCE**

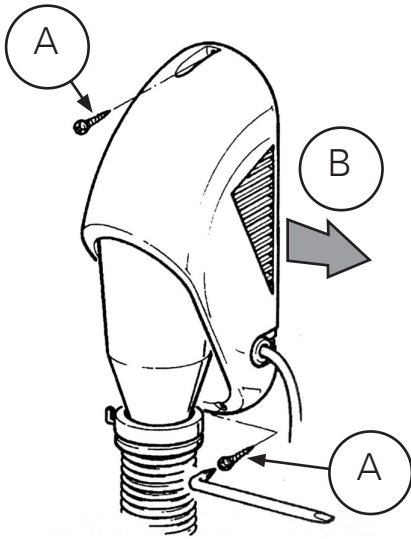
**CE**



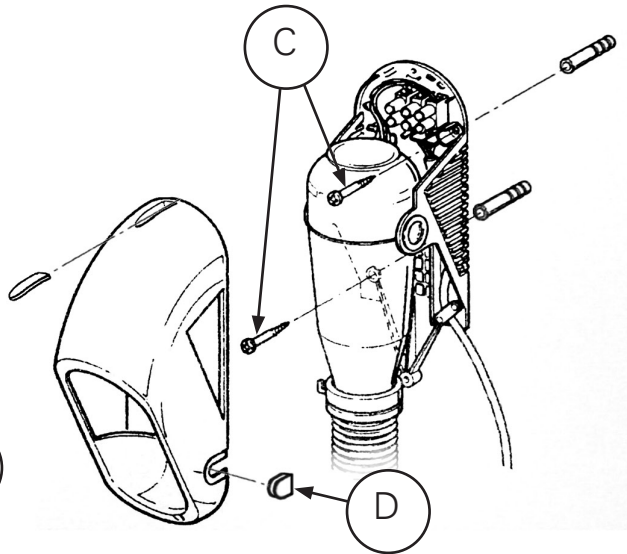
**Fig.1**



**Fig.2**



**Fig.1**



**Fig.2**

## IMPORTANT SAFETY INSTRUCTIONS

*Before using your appliance, read carefully the instructions contained in this booklet, which furnish important information regarding installation, use and maintenance safety. The booklet must be kept and delivered to the new user in case of cession of the machine.*

1. This appliance is intended exclusively for the use for which it was created, that is to dry hair by means of a warm air flow. The Producer would not be considered responsible for any damage caused by its improper use.
2. After unpacking, make sure that the appliance is complete and shows no signs of visible damage or tampering.
3. Keep packing materials, which are potential dangers, away from children (plastic bags, styrofoam packing pellets, nails, etc.).
4. Before inserting the plug make sure that the voltage is the same as indicated on the device and the line supply is corresponding to the effective rules.
5. Do not use in presence of gas, inflammable or explosive liquids or substances.
6. Some fundamental rules which apply to all electrical devices must be observed when using the appliance:
  - do not touch the heater with wet hands;
  - do not handle with bare feet;
  - do not pull the electric cord or the device itself to unplug it from the socket; pull the plug directly;
  - do not let children or incompetent people use device without supervision.
7. The device can be used by children at least 8 years (as well as by persons with reduced physical, sensory or mental capabilities, or lack of experience or required knowledge) provided that they are under surveillance, or after they have been instructed relating to the safe use and have understood the potential dangers. Children should not play with the appliance. Cleaning and maintenance must be performed by the user and not by unsupervised children.
8. Do not bring modifications to the product that compromise the safety.

9. Keep connections dry.
10. If the power supply cord is damaged avoid to use it. Let the Manufacturer, or the After Sale Service, or some similar qualified person replace it, in order to avoid any risk.
11. Disconnect the appliance from the supply line, if you don't use it for a long time.
12. Always unplug the appliance before doing any maintenance operation.
13. Periodically verify the integrity of the appliance. If defects are found, do not use it; call an Authorized After Sale Service.
14. In case of malfunction or fault, call an Authorized After Sale Service, and request original spare parts.



In case of steady connection to the wire, a bipolar circuit breaker with contact opening distance of at least 3 mm must be fitted upstream from the supply line.



This hairdryer must be installed out of the range of a person using the bath or the shower.



Disconnect the appliance from the power supply when not used.



For safety reasons, never attach the device above bath tubs, wash basins, showers, or other fittings where there may be water.

## FITTING INSTRUCTIONS

The hair dryers have been specifically designed for vertical attachment on the wall with the air outlet toward the bottom.



Make sure that the wall where you plan to mount the appliance is solid and free of electrical cables or water pipes inside.

To attach using screw anchors, proceed as follows:

1. Make sure that the plug is disconnected.
2. Loosen screw **A** (Fig.1).
3. Extend the two strips below the vent in the direction shown by the arrow **B** (Fig.1) and take the body away. With the dual speed models, during this operation the air speed control lever may come out of its seat getting deformed in the process; in this event, set it in its position again.
4. Using a Ø5 mm bit, drill holes on the wall, corresponding to the installing points of the appliance's body, and fasten it using the screw anchors **C** (Fig.2).
5. In case of steady connection to the power supply, remove the cable and close the hole of the body from which the cable was getting out, using the provided **D** plug.

## INSTRUCTIONS FOR USE

- Remove the hand held nozzle from the hook and position it as desired near your hair. The hair dryer comes on automatically. When finished, put the hand held nozzle back on its hook: appliance will switch off automatically.
- With the dual speed models, the power and the speed can be varied by simply moving the lever on the left side of the body (position I and II).