

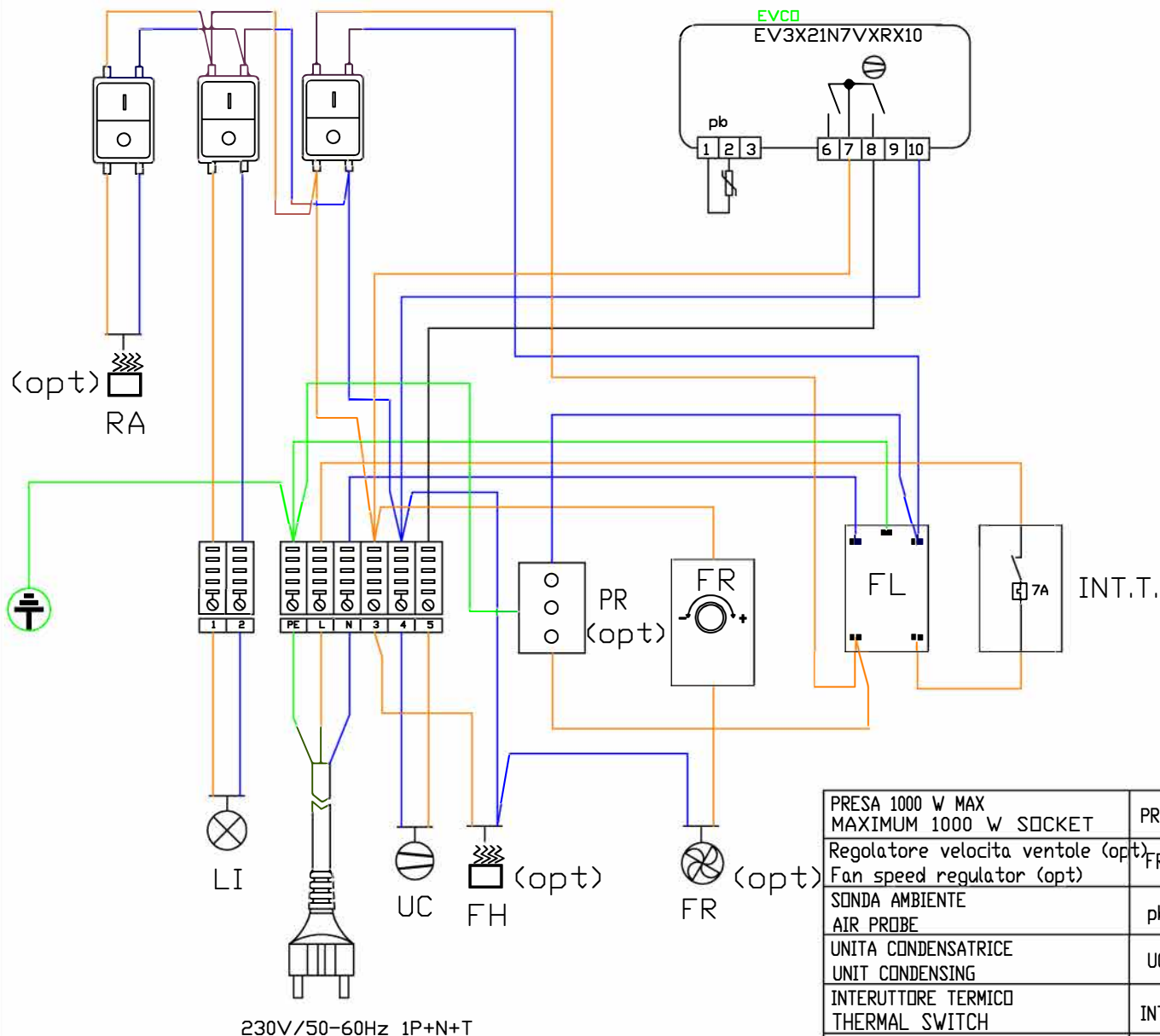


MOD : MA&\$/B5-R2V

Production code : 6 ? &\$\$D6 7 B8 - +<

10/2025

Rev.	Modification	Date
00	Prima Emissione	06/09/2022
1		10/10/2023



230V/50-60Hz 1P+N+T

INSTALLARE UN QUADRO ELETTRICO DI POTENZA QUANDO E' SENZA GRUPPO
 INSTALL A POWER ELECTRICAL PANNEL WHEN AN WITHOUT THE GROUP

PRESA 1000 W MAX MAXIMUM 1000 W SOCKET	PR
Regolatore velocita ventole (opt) Fan speed regulator (opt)	FR
SONDA AMBIENTE AIR PROBE	pb
UNITA CONDENSATRICE UNIT CONDENSING	UC
INTERRUTTORE TERMICO THERMAL SWITCH	INT.T.
LUCI LED LED LIGHT	LI
VENTILATORI EVAPORATORE EVAPORATOR FAN	FE
RESISTENZA EVAP.ACQUA (opt) HEATER WATER (opt)	FH
RESISTENZA ANTIAPPANNANTE (opt) ANTI-FOG RESISTANCE (opt)	RA
FILTRO ANTIDISTURBO SUPPLY FILTER	FL

Approved By:	Eletrical Schematic		Date
	Model	Mantova EVO	06/09/2022
	Dettagli:	MA15/B5(E8)-R2V, MA20/B5(E8)-R2V, MA25/B5(E8)-R2V, MA30/B5(E8)-R2V	