

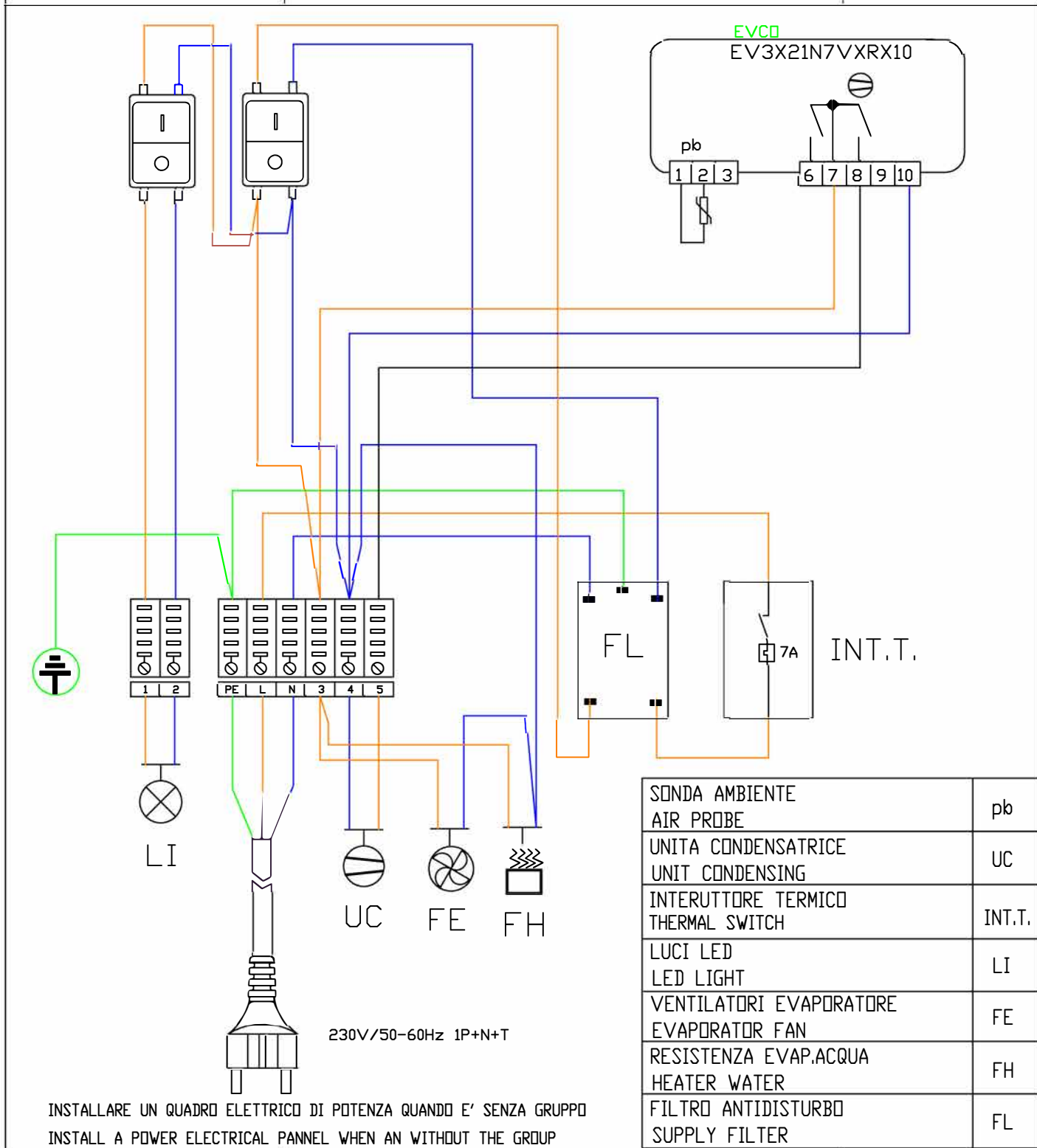


**MOD : DS15/B5-P9B**

**Production code : CV150PSVND97BH\_1**

**10/2025**

Rev.	Modification	Date
00	Prima Emissione	06/09/2022



INSTALLARE UN QUADRO ELETTRICO DI POTENZA QUANDO E' SENZA GRUPPO  
INSTALL A POWER ELECTRICAL PANNEL WHEN AN WITHOUT THE GROUP

Approved By:	Eletrical Schematic		Date
	Model	DALLAS LINE	06/09/2022
	Details:	DS10/B5-(A7)P9B - DS12/B5-(A7)P9B - DS15/B5-(A7)P9B	