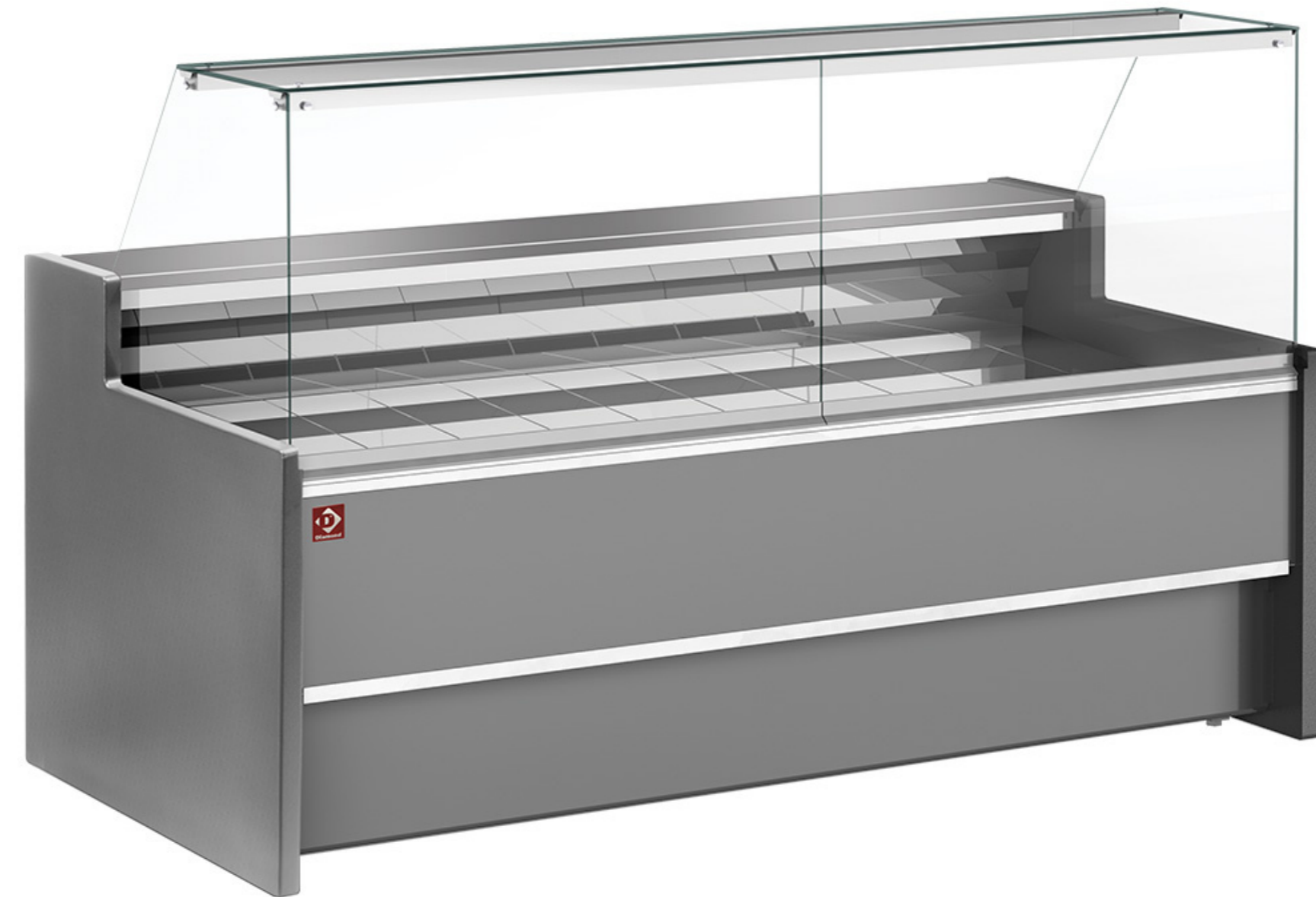
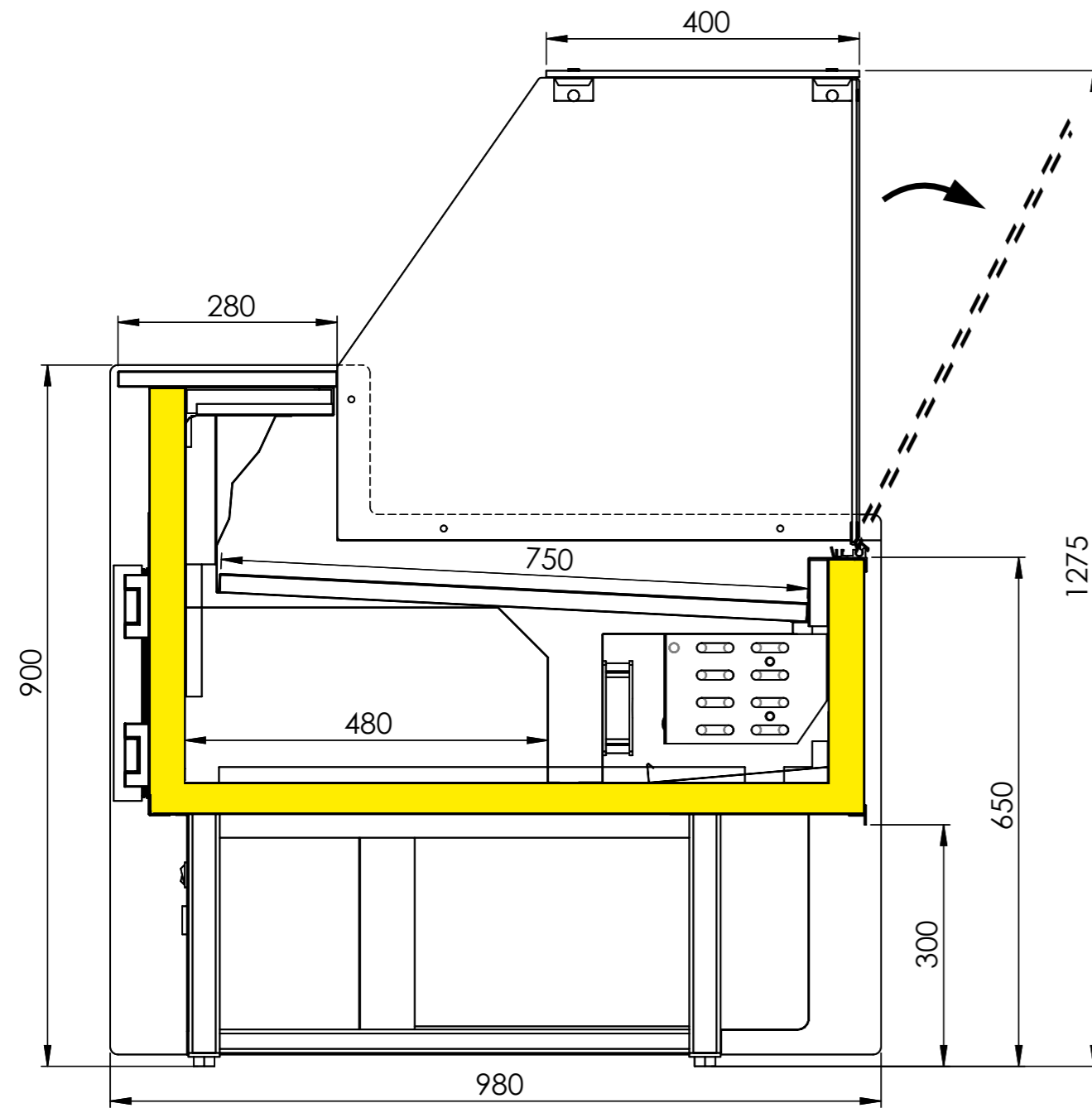


MOD : FC25/G8-VR2

Production code : OP250PSCG160H

ORPHEO VENTILATO

Florence Line



MODELLO	LUNG. LENGTH LAENGE LONGUEUR	MOTORE COMPRESSOR KOMPRESSOR COMPRESSEUR	ILLUMINAZIONE LIGHTING BELEUCHTUNG ILLUMINATION	QUANTITA' GAS GAS QUANTITY GAS MENGE QUANTITE' DE GAS (KG.)	TIPO DI GAS KIND OF GAS GAS-TYP TIPE DE GAZ	HP	Potenza frigorifera Refrigeration power Kalteleistung Puissance frigorifique Watt (-10°C)	Watt assorbiti Watt absorbed Nennleistungsaufnahme Watts absorbés	Assorbimento Ventilatori Vasca Fab absorption Luefteraufnahmen Absorption ventilateurs (W)	Watt vaschetta elettr. Electric pan Elektrische Wanne Bac électrique (W)
	VENTILATO - UMLUFT - AIRY - VENTILE - VENTILADA									
ORPHEO	150	NEK6210GK	1 x 13w	0,110	R290	1/2 HP	690	373	19	400
	200	NEK6213GK	2 x 9w	0,150	R290	1/2+ HP	873	537	38	400
	250	NEK6217GK	2 x 10w	0,147	R290	3/4+ HP	1115	550	38	400
	300	NT6222GK	2 x 13w	0,150	R290	1- HP	1358	845	57	400

Modello: ORPHEO Revisione: 00

Codice: OP Data: 25-06-2019

I dati tecnici possono essere soggetti a cambiamenti senza alcun obbligo di preavviso. We reserve the right to change technical features without notice. Technische aenderungen sind ohne voranzeige moeglich. Nous nous reservons le droit de varier sans preavis les details techniques.