



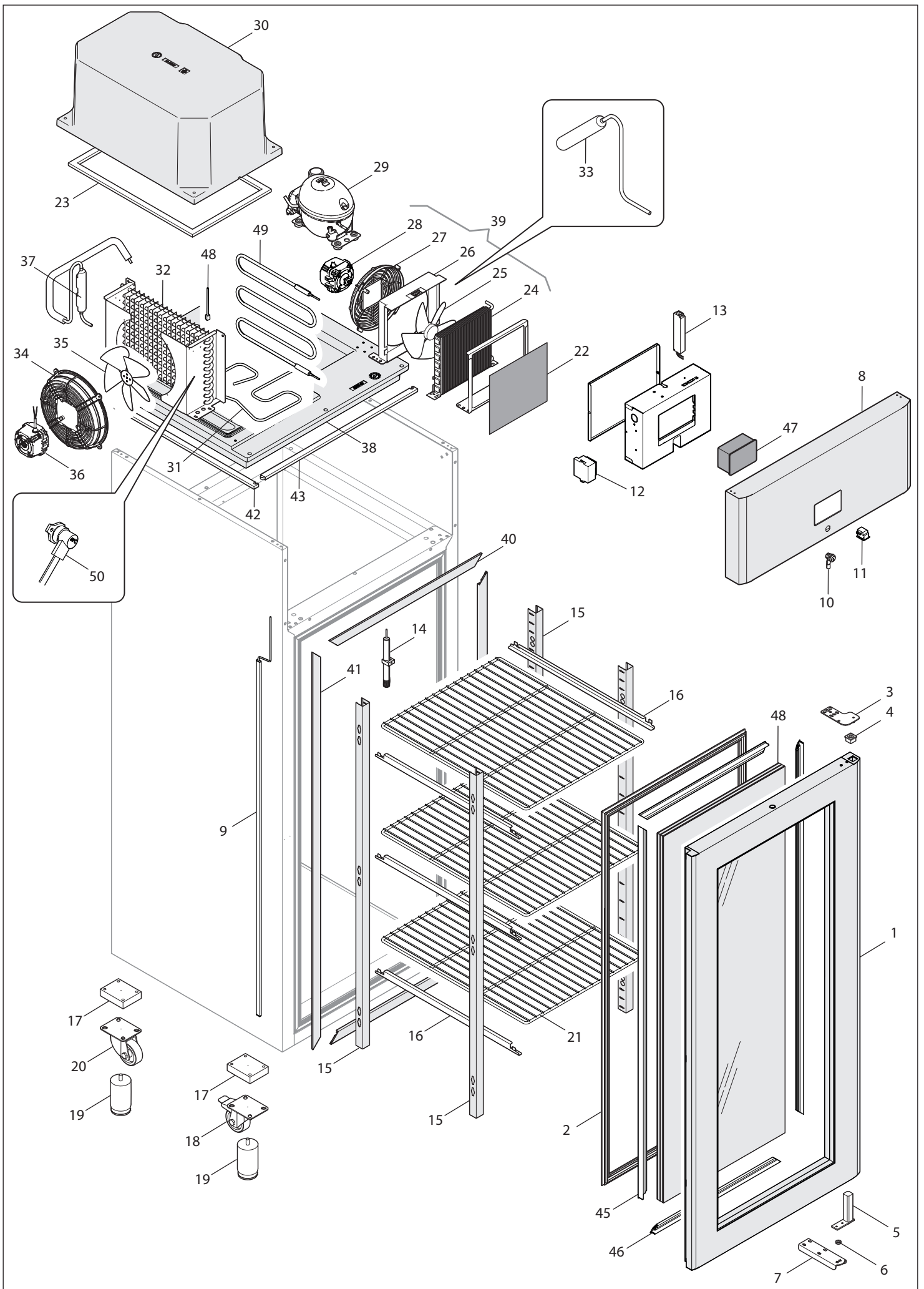
MOD : AL4S/FGCB

Production code : AT07N2500+KAR0033+KAR0027

Jet engine compressor drawings

Creative
MARKET

09/2025



No.	CODE	DESCRIPTION	VOLT. / FREQ.	VALIDITY DATE
1	44403	DOOR ASSEMBLY		
2	42161	ESSENTIAL CABINET SEAL		
3	37663	TOP RH HINGE		
3	37664	TOP LH HINGE		
4	40181	PIVOT HOLDING LOCK H=4.5		
5	37654	PIVOT HOLDING HINGE		
6	38181	WASHER Ø10.5x17		
7	37656	BOTTOM HINGE		
8	44412	CABINET PANEL		
9	44983	LED BAR L=1358	20W	
10	26447	BOX LOCK		
11	42213	DOOR MECHANICAL MICRO		
12	44421	TRANSFORMER	230V/12V 10VA	
13	38914	MEAN WELL LPH POWER UNIT	18W 24V	
14	44420	UR+T° NTC EVHTP520 PROBE		
15	40713	1/1 GASTRONOMY RACK L=30		
16	44409	CABINET SLIDE		
17	25523	POLYETHYLENE PLINTH 100x80x25 x WHEELS 80		
18	27720	Ø80 STAINLESS STEEL WHEEL WITH BRAKE		
18	26512	Ø80 GALVANIZED WHEEL WITH BRAKE		
19	34540	STAINLESS STEEL FOOT 115/165 M10x20		
19	34541	ABS FOOT 115/165 M10x20		
20	27719	Ø80 STAINLESS STEEL WHEEL		
20	26511	Ø80 GALVANIZED WHEEL		
21	31404	2/1 GASTRONOMY STAINLESS STEEL GRILLE WITH LOCK		
22	39858	Ø200 CAPACITOR FILTER		
23	31504	EPDM 15 x 8 ADHESIVE MAT		
24	39851	FINNED BATTERY (STVF67)		
25	37290	PADDLE ø200		
26	41440	MOUTHPIECE Ø200 (STVF67)		
27	41441	GRILLE Ø 200 (STVF67)		
28	37294	MOTOR	220/240V 50/60Hz	
29	39904	EMC3119U-PTC R290 EVAPORATOR	230V 50Hz	
30	36334	CABINET UNIT LID [PST]		
31	27591	EXHAUST RESISTOR L=3000	220V 31W	
32	34007	EVAPORATOR 10T 2R L=260 P5		
33	37050	2-WAY RECEIVER DRYER FILTER		
34	30329	CAPACITOR GRILLE		
35	18439	Ø200 SUCTION FAN		
36	28672	MOTOR	220/240V 50/60Hz	
37	37051	LIQUID SEPARATOR		
38	42170	ESSENTIAL CABINET UNIT BASE		
39	40737	CAPACITOR (STVF67)		
40	42143	ESSENTIAL 700 CABINET HORIZONTAL PROFILE COVER		
41	42144	ESSENTIAL 700 CABINET VERTICAL PROFILE COVER		
42	42154	RUBBER GASKET 20x6 L=605		
43	34653	RUBBER GASKET 20x6 L=645		
44	40925	TN DOOR GLASS		
45	40931	DOOR GLASS STOP VERTICAL PROFILE		
46	40932	DOOR GLASS STOP HORIZONTAL PROFILE		
47	44413	EVJ536 THERMOSTAT		
48	20286	NTC PROBE L=1.5 IP65		
49	34021	DEFROSTING RESISTOR	450W 230V	
50	34453	60° N/C SAFETY THERMOSTAT		

Cod: AT07N2500

S.N: _____

Mod: ARMADIO FROLLATORE R290 0/+25V 1PV

Rev: 00 - 02/2024