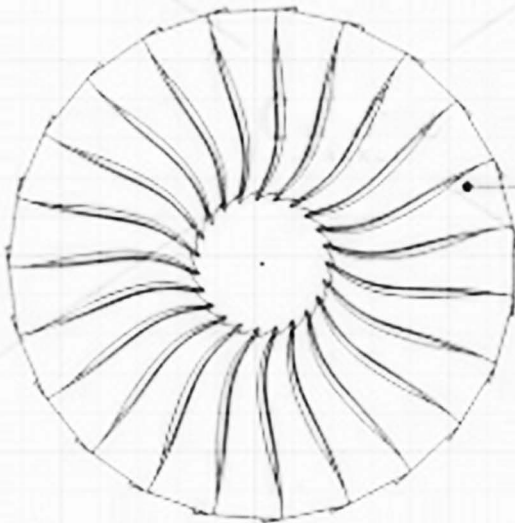
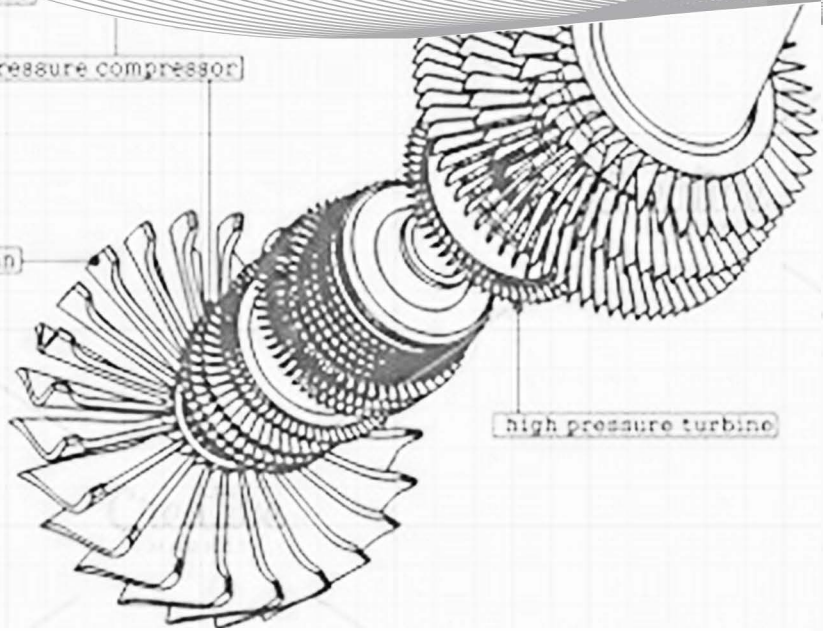


high pressure compressor

low pressure compressor



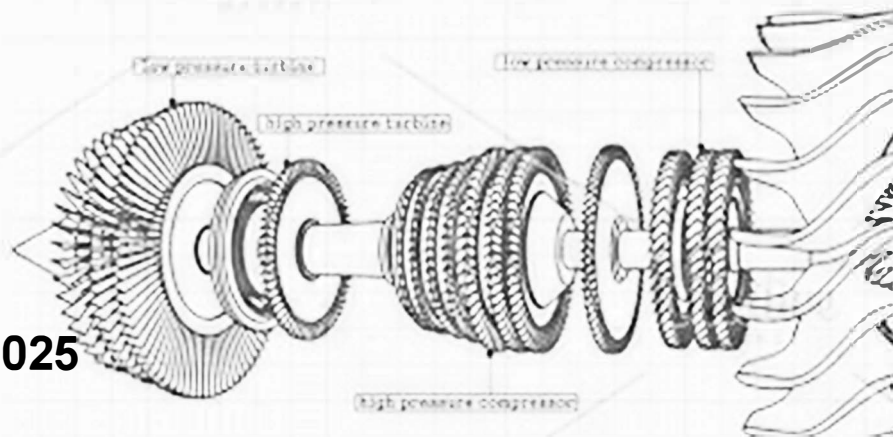
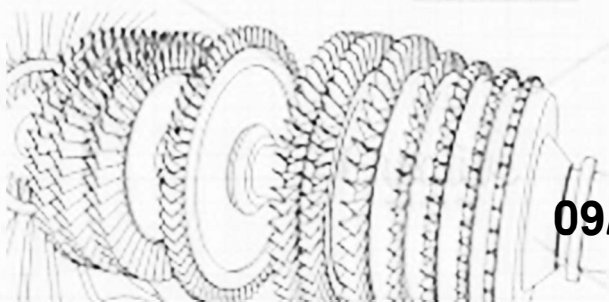
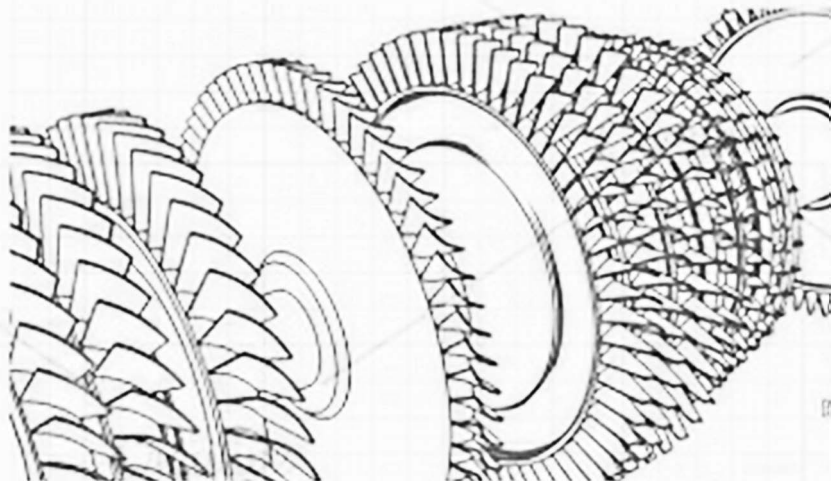
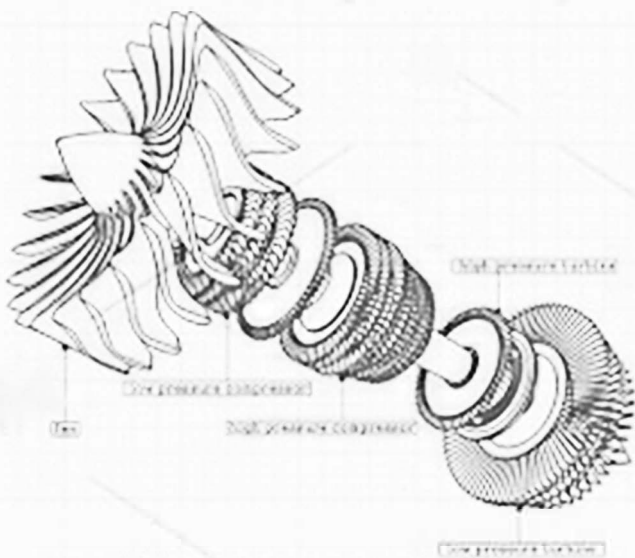
fan



high pressure turbine

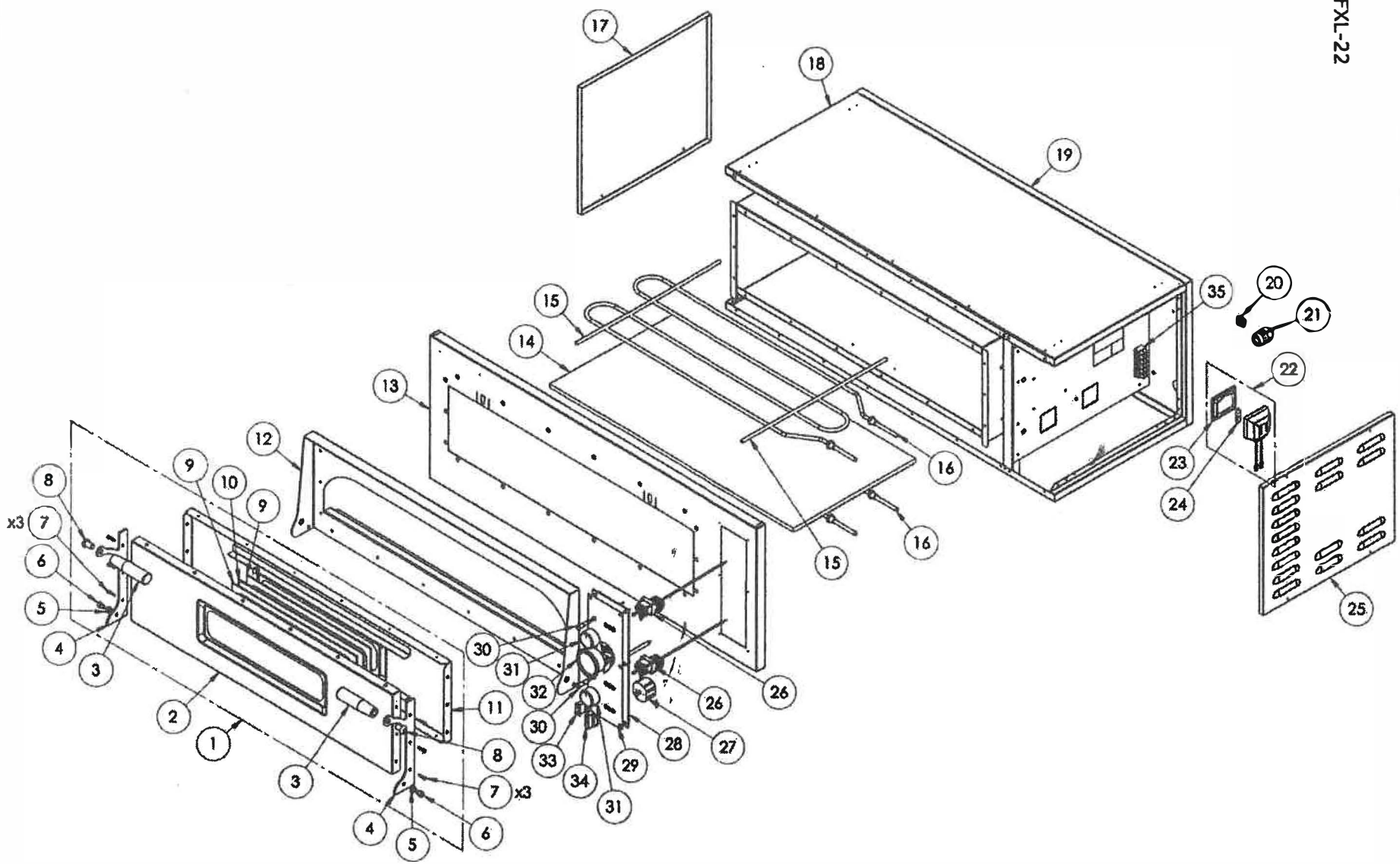
MOD : WR-CVD1-15

Production code : HH150PSSG173_



EXPLODED VIEW

WR-DFXL-22



SPARE PARTS

| Position | WR-DFXL-22 | Description |
|----------|------------|----------------------------------|
| 1 | 7A010112 | Complete door unit |
| 2 | 4P050070 | Door |
| 3 | 5M200030 | Door handle |
| 4 | 4P100007 | Backplate |
| 5 | 3R030002 | Door washer |
| 6 | 5V500104 | Door screw |
| 7 | 5V500019 | Screw |
| 8 | 5V500046 | Screw |
| 9 | 5G100001 | Glass door gasket |
| 10 | 5V010015 | Door glass |
| 11 | 4C020070 | Inner door |
| 12 | 4T020062 | Frame |
| 13 | 4F020062 | Front |
| 14 | 5P050132 | Refractory stone |
| 15 | 4T060080 | Iron rod |
| 16 | 5R050450 | Heating element |
| 17 | 4P040041 | Left side panel |
| 18 | 4C030028 | Oven top |
| 19 | 4S030276 | Oven back |
| 20 | 5M100120 | Grounding terminal |
| 21 | 5P100003 | Cable gland |
| 22 | 7P010200 | Complete lamp holder unit |
| 23 | 5V010003 | Lamp holder glass |
| 24 | 5L020008 | Light bulb |
| 25 | 4P040040 | Right side panel |
| 26 | 5T010001 | Thermostat |
| 27 | 5I100022 | Main switch |
| 28 | 4M020031 | Control panel |
| 29 | 5E258407 | Label |
| 30 | 5L020017 | Heating elements indicator light |
| 31 | 5M200003 | Thermostat knob |
| 32 | 5T010200 | Thermometer |
| 33 | 5I100017 | Light switch |
| 34 | 5M200008 | Main switch knob |
| 35 | 5M100010 | Terminal block |