

**MOD : CEV27/9-13**

**Production code : NEDS6-75**

**Oriental Cooking - Electric Steamer**  
**Electric - Dim Sum Steamer / Slim**  
**NEDS 6-75**



Due to continuous technical development, the image shown may not represent the latest design of the unit.

**DESCRIPTION**

Compact gas steamer with a dim sum plate with 9 holes and a two level steam kit with lid. Equipped with high-efficient heaters with a total of 12 kW connected load.

Equipped with a salt-resistant water tank with a volume of 27 liters for continuous steam. Cold-water supply with a swivel faucet to fill the tank, easy operable from the front panel.

With his compact design, the NEDS steamer is the perfect choice for any Asian restaurants with a smaller footprint.

**OTHER AVAILABLE MODELS**

- N/A

**MAIN FEATURES**

- High-efficient heaters with a total connected load of 12 kW.
- Three level rotary switch with control knobs and function indication lights.
- Salt-resistant, stainless steel tank of 27 liters with drain valve.
- Cold-water supply with one swivel faucet mounted on the backsplash.
- Square, two level steamer trays with lid.
- CE certified unit.

**CONSTRUCTION**

Sturdy frame made of stainless steel AISI 430.

- Stainless steel top panel (1.2 mm), AISI 304 with orbital surface pattern.
- Front panel (1.0 mm) and side panels (0.8 mm) made of stainless steel AISI 304 with hairline surface pattern.
- Backsplash made of stainless steel AISI 304 with hairline surface pattern (1.2 mm).
- Tubular, height adjustable ( $\pm 25$  mm) stainless steel legs.
- Types of installations: free standing.
- Frame, top and panels, all made of high-grade stainless steel.

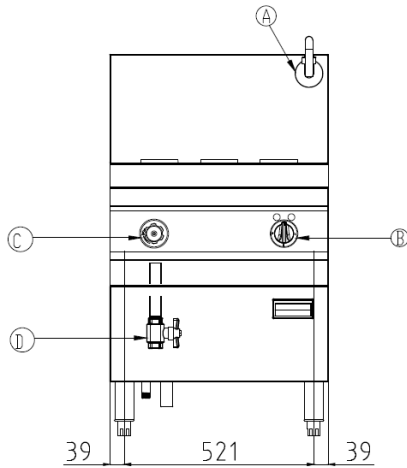
**INCLUDED ACCESSORIES**

- Dim sum tray kit - two levels with lid for max. 18 pcs bamboo trays  $\varnothing$  130 mm.

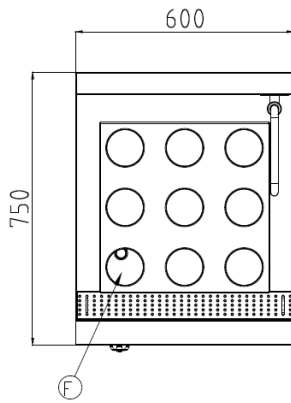
**OPTIONAL ACCESSORIES**

- Power cable type: H07RN-F (5 x 4 mm<sup>2</sup>).

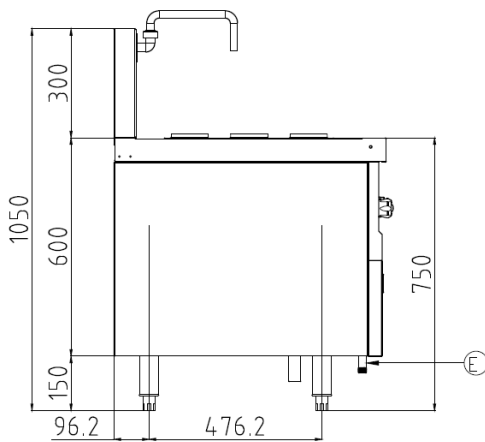
### FRONT



### TOP



### SIDE



### TECHNICAL DATA

#### External Dimensions

Width	: 600 mm
Depth	: 750 mm
Height	: 750/1050 mm

#### Cooking Surface

Cooking zones	: 27 liters, 465 x 465 mm
Heating zones	: 2 x 6 kW
Control type	: Modulating temperature control

#### Electrical Supply Data

Total connected load	: 12.0 kW
Voltage	: 400V, 3NPE AC /50-60Hz
Recommended fuse	: 20 A (slow)

#### Connections

Water	: DN15 (1/2")
Drain	: DN25 (1")

#### Heat & Steam Emissions

Direct heat emission	: 0.42 kW
Latent heat emission	: 2.40 kW
Steam emission	: 3.53 kg/h

#### PACKAGING DATA

Width	: 630 mm
Depth	: 780 mm
Height	: 1170 mm
Volume	: 0.57 m <sup>3</sup>

#### WEIGHT

Net Weight	: 70 kg
Gross Weight	: 86 kg

\*Overall dimension in mm