



MOD : CEV40/6-14

Production code : NEDS26

Jet engine compressor drawings

Creative
MARKET

09/2025

3.4 Component List

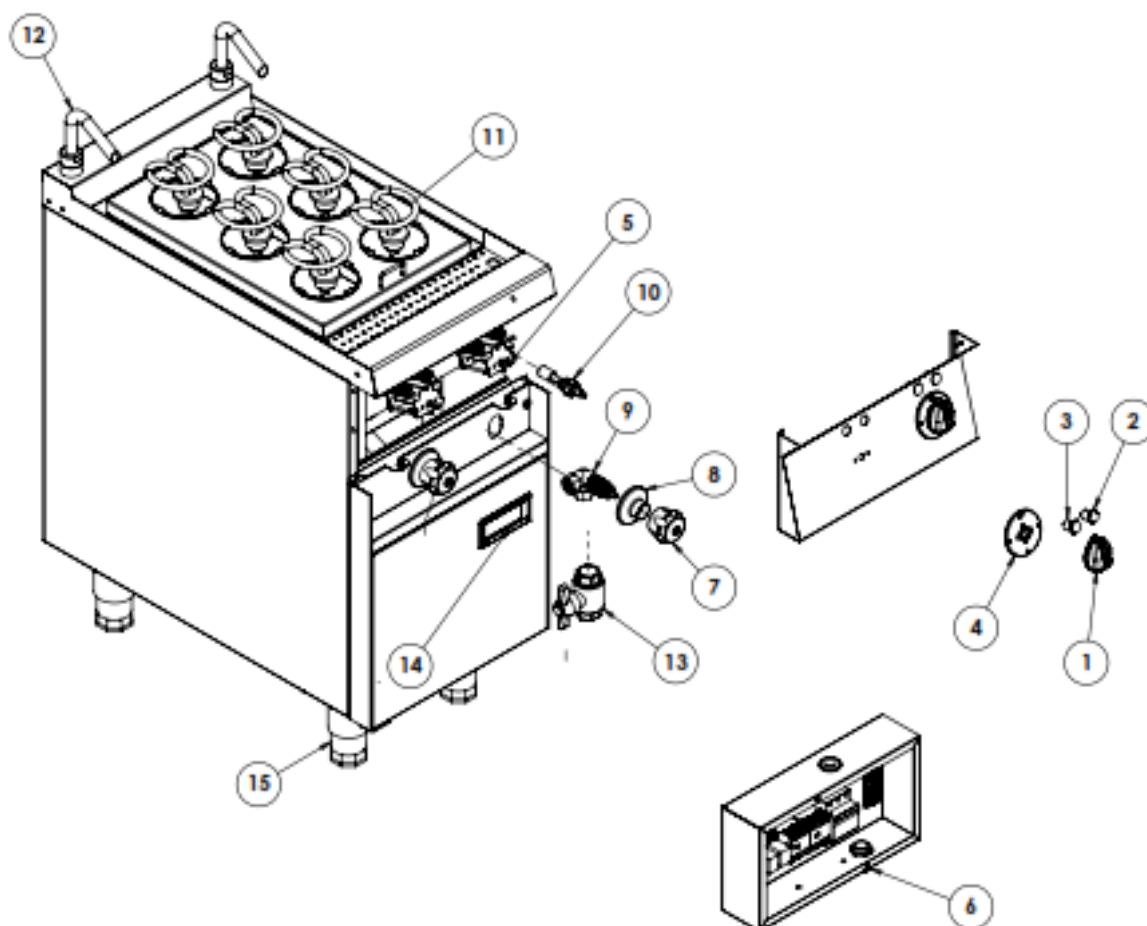


Fig. 3

Table 2 :

NO	PART NUMBER	DESCRIPTION	QTY
1	PD.4051FD	Electric Knob	2
2	PD.414KB-1	Pilot Light Green	2
3	PD.414QA-1	Pilot Light Red	2
4	PD.DWM66	Ring Electric Knob	2
5	PD.4055BA	Rotary Switch	2
6	1PR.2215A-1	Socket Relay	2
	1PR.2215D	Relay	6
	1PR.2246M	Contactor LC1 K 0910-M7	2
	KB.5027	Circuit Breaker 3 Pole 25A	1
	PD.3133	Cable Grommet	1
	PD.CS112	Cable Gland	1
	PD.CS202	WT End Bracket	2
	PD.409B-1	Terminal 5 Pole	1
7	PD.2458A2	Water Tap Head	2
	GS.2305C1	Pin Blue+Screw f/ Faucet Stop Tap	2
8	PD.2458B	Water Tap Cap	2
9	PD.2458E2	Left Water Tap-Right	2
	PD.2458-1	Nut f/ Water Tap	4
10	PD.404Q3	Float Switch Horizontal	2
11	PD.4110	Immersed Heater	6
12	GS.3714A	Faucet	2
13	SS.2030	Ball Valve	2
14	PD.207GA	Cabinet Handle	1
15	GS.3607A	Adjustable Leg	4