



MOD : GBG1-7

Production code : NYG7-20

Jet engine compressor drawings

09/2025

3.4 Component List



NYG 7-20

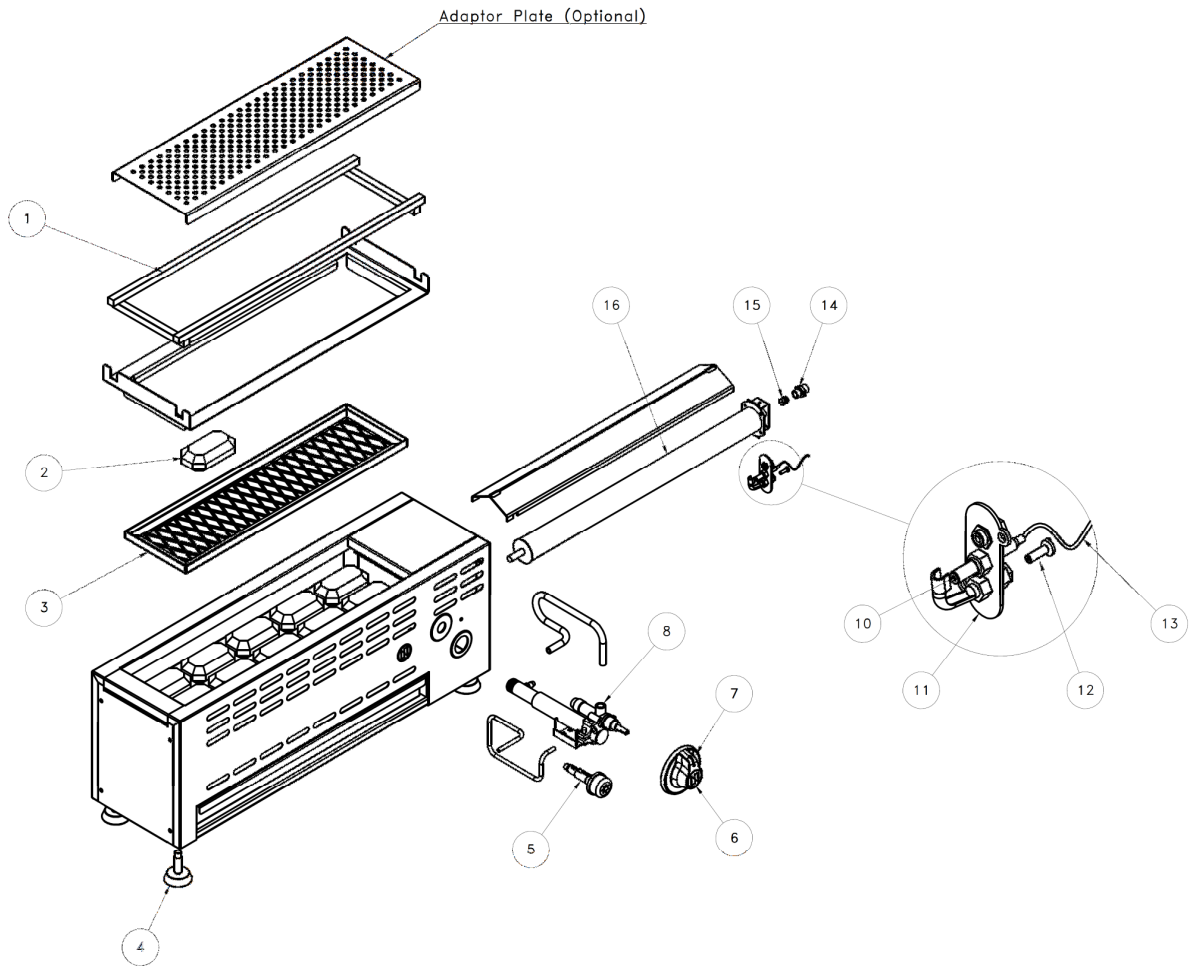


Fig. 4

Table 5 :

| No. | Part Code | Description | Qty. |
|-----|------------|---------------------------------|------|
| 1 | GS.392I-1 | Cooking Grill | 1 |
| 2 | GS.1197 | Lava Stone | — |
| 3 | GS.392H-1 | Lava Stone Holder | 1 |
| 4 | PD.2456 | Adjustable Leg | 4 |
| | PD.2499A | Sleeving for Adjustable Leg | 4 |
| 5 | GS.3720B | Piezzo Igniter | 1 |
| | GS.3720B-1 | Piezzo Igniter Ring | 1 |
| | GS.3720B-2 | Piezzo Igniter Button Cover | 1 |
| 6 | PD.G019A | Gas Knob ϕ 8 | 1 |
| 7 | PD.G019A-1 | Ring Gas Knob | 1 |
| 8 | GS.387D | Gas Valve | 1 |
| 9 | GS.3895B | Thermocouple 600 mm | 1 |
| 10 | GS.3857 | Piezzo Spark Plug | 1 |
| 11 | GS.3853 | Pilot Burner | 1 |
| 12 | GS.382A | Pilot Nozzle ϕ 0.19 (LPG) | 1 |
| | GS.3829 | Pilot Nozzle ϕ 0.27 (LNG) | 1 |
| 13 | GS.3682A | Cable Igniter 600 mm | 1 |
| 14 | GS.3698 | Nozzle Holder | 1 |
| 15 | GS.2846H | Nozzle Burner ϕ 1.35 (LPG) | 1 |
| | GS.2846D | Nozzle Burner ϕ 1.95 (LNG) | 1 |
| 16 | GS.3696A | Burner Yakitori | 1 |