



**MOD : CNE/6P**

**Production code : NEN16ME**

Jet engine compressor drawings

Creative  
MARKET

09/2025

### 3.4 Component List

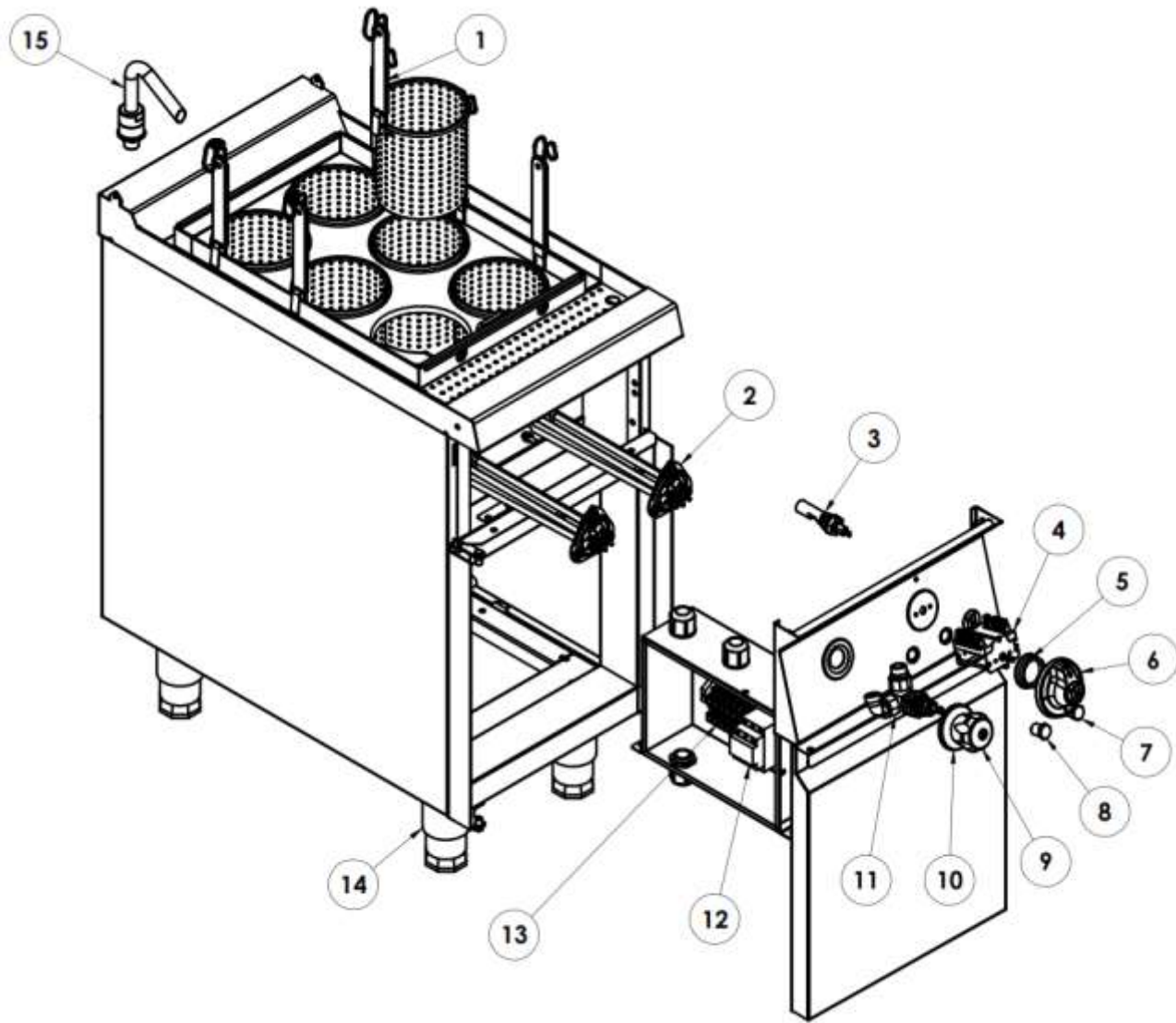


Fig. 3

Table 2 :

NO	PART CODE	DESCRIPTION	QTY
1	GS.2240C	Noodle Basket	6
2	PD.DW034GA	Immersion Heater 6 kW/230 V	2
3	PD.404Q3	Float Switch Horizontal	1
4	PD.4055BB	Rotary Switch 3 Steps	1
5	PD.G024	Seal For Electric Knob	1
6	PD.G021A	Electric Knob	1
	PD.G021A-13	Ring Electric Knob 0-1-2-3	1
7	PD.414KB-1	Pilot Light Green 230V	1
8	PD.414QA-1	Pilot Light Red 230V	1
9	PD.2458-1	Nut For Water Tap	2
	PD.2458A1	Water Tap Head Blue	1
10	PD.2458B	Water Tap Cap	1
11	PD.2459A2	Water Tap	1
12	KB.5034A	Magnetic Contactor 32 A	1
13	PD.2248G	Terminal Block With Screw (Grey)	3
	PD.2248I	Terminal Block With Screw (Blue)	2
	PD.2248H	Terminal Block With Screw (Green-Yellow)	1
	PD.CS202	Bracket	2
14	GS.3607A	Adjustable Leg	4
15	GS.3714A	Faucet	1