



MOD : WIN2-14

Production code : NEWI14-75

Jet engine compressor drawings

Creative
MARKET

09/2025

NEWI 14-75 JK

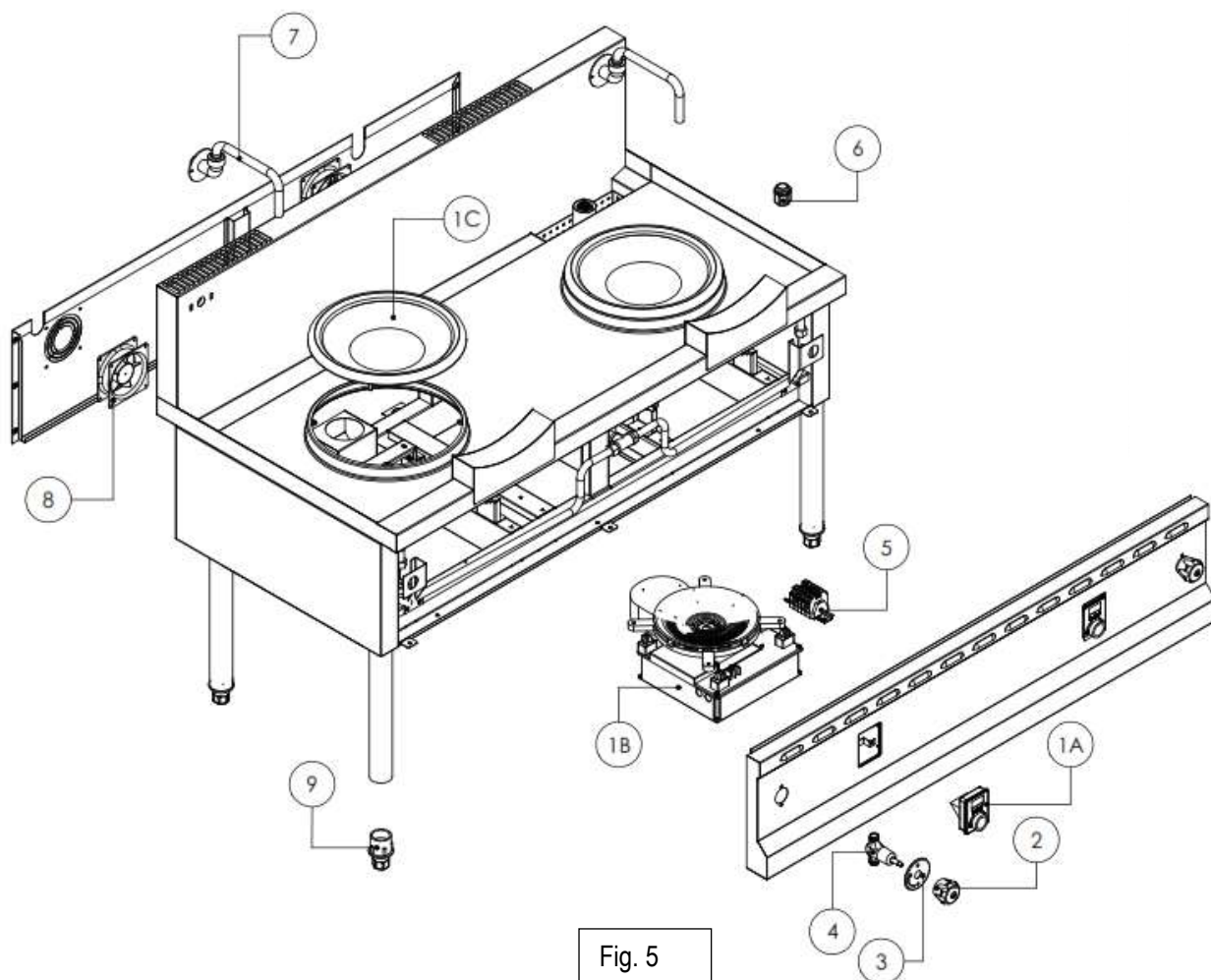


Table 3 :

NO	PARTCODE	DESCRIPTION	QTY
1	PD.4290FE	Induction Engine (Wok)	2
1A		Ceran Glass + Ring	2
1B		Induction Engine + Coil Assembly System	2
1C		Knob Controlling System	2
2	PD.2458A2	Water Tap Head	2
3	GS.405A-1	Ring Label Faucet	2
4	GS.2305D	Faucet Stop Tap	2
5	PD.CS202	WT End Bracket	2
	PD.2248G	Terminal Block with Screw	2
	PD.2248H	Terminal Block with Screw	1
	PD.2248I	Terminal Block with Screw	2
6	PD.CS112	Cable Gland	1
7	GS.2587A	Faucet	2
8	PD.423C1	Electric Motor Fan	2
9	GS.3603A	Adjustable Leg	4