



MOD : WIN2-14

Production code : NEWI14-75

09/2025

Type : NEWI 14-75 JK
Voltage : 380V 2N PE
Frequency : 50/60Hz
Power Consumption: 10kW
Gas Consumption :
Current : 23A

electrical documentation



NEWI 14-75 JK		
380V 2N PE	10kW	23A
50/60Hz		

Drawing Nr. 1027

Created Date 8/13/2022

Rev Nr.

Rev Date

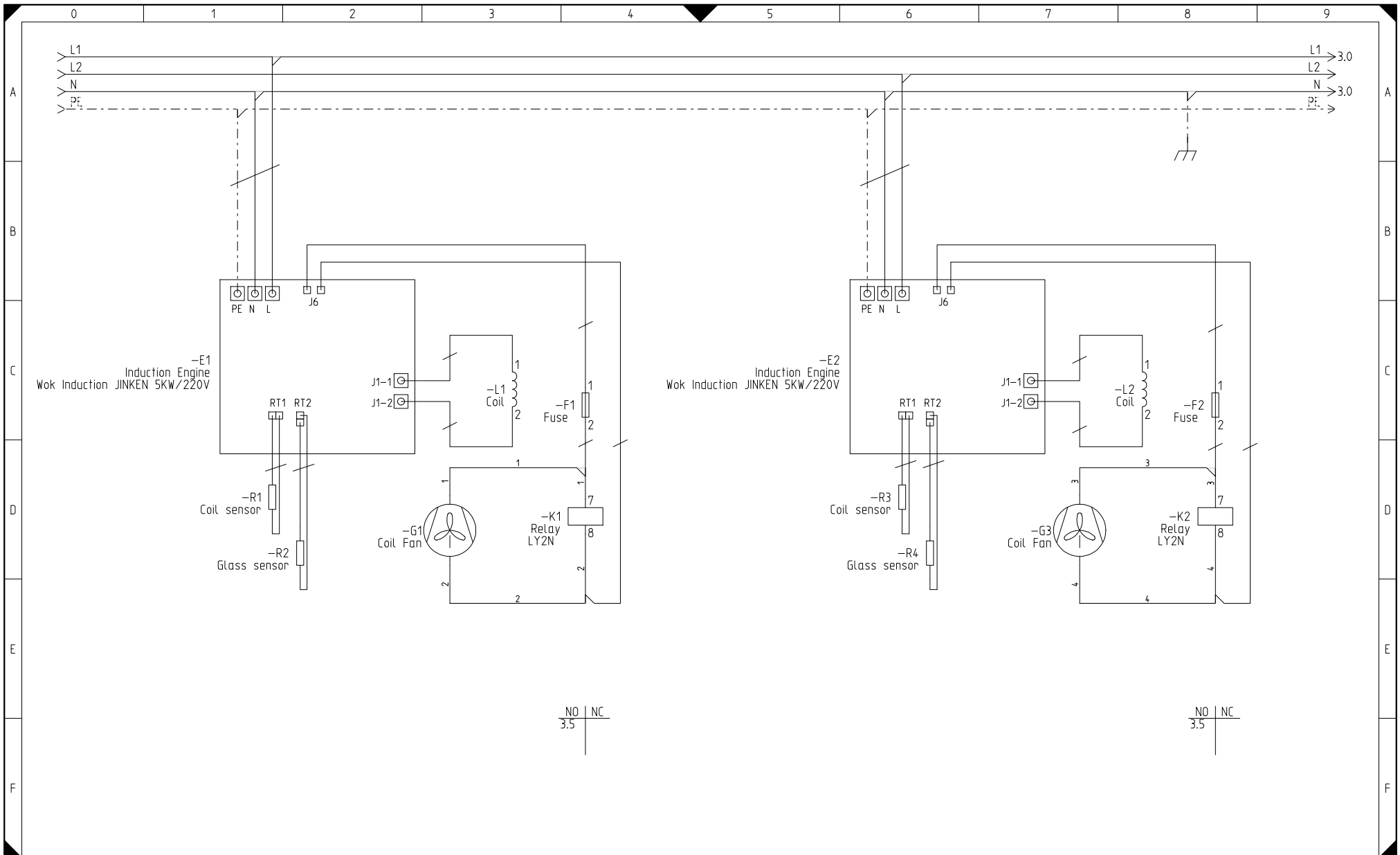
Project:

Drawn KRIST

All Page 3

Page 1

Next Page 2



NO | NC
3.5

NO | NC
3.5



NEWI 14-75 JK

380V 2N PE	10kW	23A
50/60Hz		

Drawing Nr. 1027

Created Date 8/13/2022

Project:

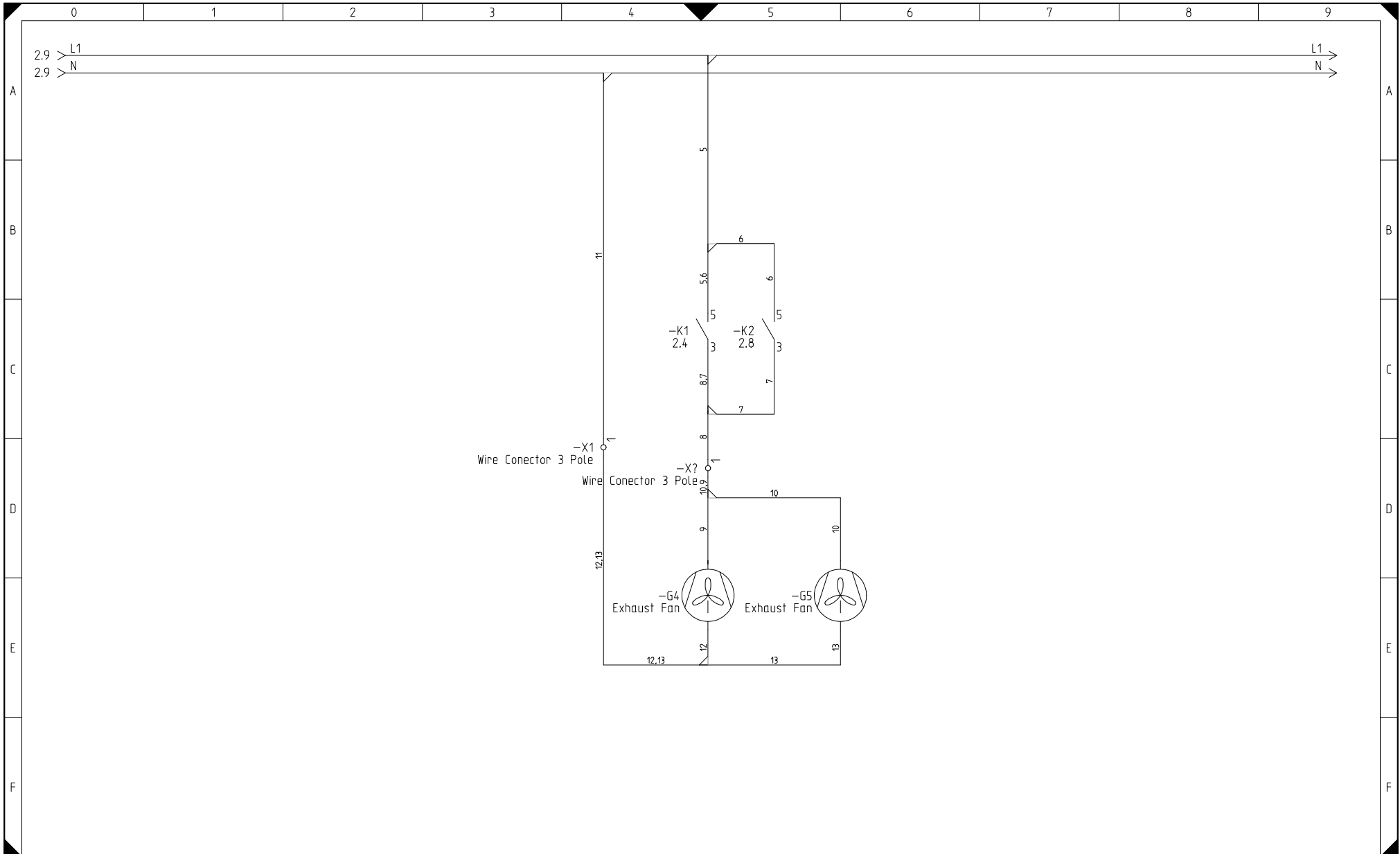
Page 2

Rev Nr. Rev Date

Drawn KRIST

All Page 3

Next Page 3



NEWI 14-75 JK

380V 2N PE	10kW	23A
50/60Hz		

Drawing Nr. 1027

Created Date 8/13/2022

Project:

Page 3

Rev Nr.

Rev Date

Drawn KRIST

All Page 3

Next Page

