



MOD : BCC/XT-10-R2

Production code : 729736

Jet engine compressor drawings

Creative
MARKET

08/2025

SPARE PARTS CATALOGUE

BLAST CHILLERS/FREEZERS CROSS WISE

50 KG CHILLERS/FREEZERS 10 GN 1/1 R290

PNC	MODEL	REF.	PAG.	DESCRIPTION	NOTE/BRAND
		a	3-13	RAPIDO BLAST CHILLER FREEZER 50/50KG 10 GN 1/1 R290	
		b	3-13	RAPIDO BLAST CHILLER FREEZER 50/50KG 10 GN 1/1 - WITH IOT MODULE R290	
		c	3-13	SKYLINE CHILLS BLAST CHILLER FREEZER 50/50KG 10 GN 1/1 - WITH IOT MODULE R290	
		d	3-13	SKYLINE CHILLS BLAST CHILLER FREEZER 50/50KG 10 GN 1/1 R290	
		e	3-13	SKYLINE CHILLS BLAST CHILLER FREEZER 50/50KG 10 GN 1/1 - RIGHT HINDGED DOOR R290	
		f	3-13	CRIO CHILL BLAST CHILLER FREEZER 50/50KG 10 GN 1/1 R290	
729736	NBFA11E	g	3-13	BLAST CHILLER FREEZER 50/50KG 10 GN 1/1 - R290 (DIAMOND)	Diamond

INDEX - INDICE

PAG.

TYPE REFERENCE DESCRIPTION	3
INTERNAL COMPONENTS	4
SPARE PARTS LIST - INTERNAL COMPONENTS	5
DOORS	6
SPARE PARTS LIST - DOORS	7
EVAPORATOR UNIT	8
SPARE PARTS LIST - EVAPORATOR UNIT	9
CONDENSING UNIT	10
SPARE PARTS LIST - CONDENSING UNIT	11
CONTROL PANEL	12
SPARE PARTS LIST - CONTROL PANEL	13

How to put in relation the “Type Ref.” reported on the data plate with the “Type reference” reported on the front page of the Spare Part Catalogue:



The “Type Ref.” represents a group of models/brands all with similar technical features, hence possible to be reported under the same scheme in terms of exploded views.

SKCH

- B= UNIT ON BOARD CONDENSING UNIT
- R= REMOTE CONDENSING UNIT
- 30 = range 30 kg
50 = range 50 kg
70 = range 70 kg
100 = range 100 kg
150 = range 150 kg
200 = range 200 kg
- SKCH = SKYLINE CHILLER\FREEZER (EUROPA\SAUDI ARABIA\KOREA)
- SKCHU = SKYLINE CHILLER\FREEZER (NORD AMERICA)

ES: **SKCH30B** = range 30 kg gn 1\1 with cooling unit (europa etc.)
SKCH30R = range 30 kg gn 1\1 without cooling unit (remote) (europa etc.)
SKCHU30B = range 30 kg gn 1\1 with cooling unit (nord America)
SKCHU30R = range 30 kg gn 1\1 without cooling unit (remote) (nord America)

Find below an identification example: SKCH30B

F.Mod. PNC 9VTX.....	Comm.Model Ser.Nr.....	Type Ref. SKCH30B	2019
WTot. kW	Volt..... Hz.....	Cyclopentane	Total Current A
Evaporation Heater El. kW	Class x	GWP	CO2-eq t
Lighting W	Cap. Refrigerant	Kg	
Defrost Power kW	Heating power kW		
NF nominal Charge			
Rated Pressure Mpa		 	
IPX4			

For the right spare code identification follow the steps:

- 1.Type in the website the PNC reported on the data plate.
- 2.The website will automatically display this spare part catalogue.
- 3.The spare part code at this point is referenced through the “Type reference” as from the front page by the relevant “Ref”.

Come mettere in relazione il “Type Ref.” Riportato sulla targhetta caratteristica con il “Type reference” riportato sul frontespizio del catalogo ricambi:



Il “Type Ref.” Rappresenta un gruppo di modelli/marchi con simili caratteristiche tecniche, ossia possibili da rappresentare con il medesimo schema in termini di vista esplosa.

SKCH

- B= UNITA' CON GRUPPO
- R= UNITA' PREDISPOSTA REMOTA
- 30 = MODELLO 30 kg
50 = MODELLO 50 kg
70 = MODELLO 70 kg
100 = MODELLO 100 kg
150 = MODELLO 150 kg
200 = MODELLO 200 kg
- SKCH = SKYLINE CHILLER\FREEZER (EUROPA\SAUDI ARABIA\KOREA)
- SKCHU = SKYLINE CHILLER\FREEZER (NORD AMERICA)

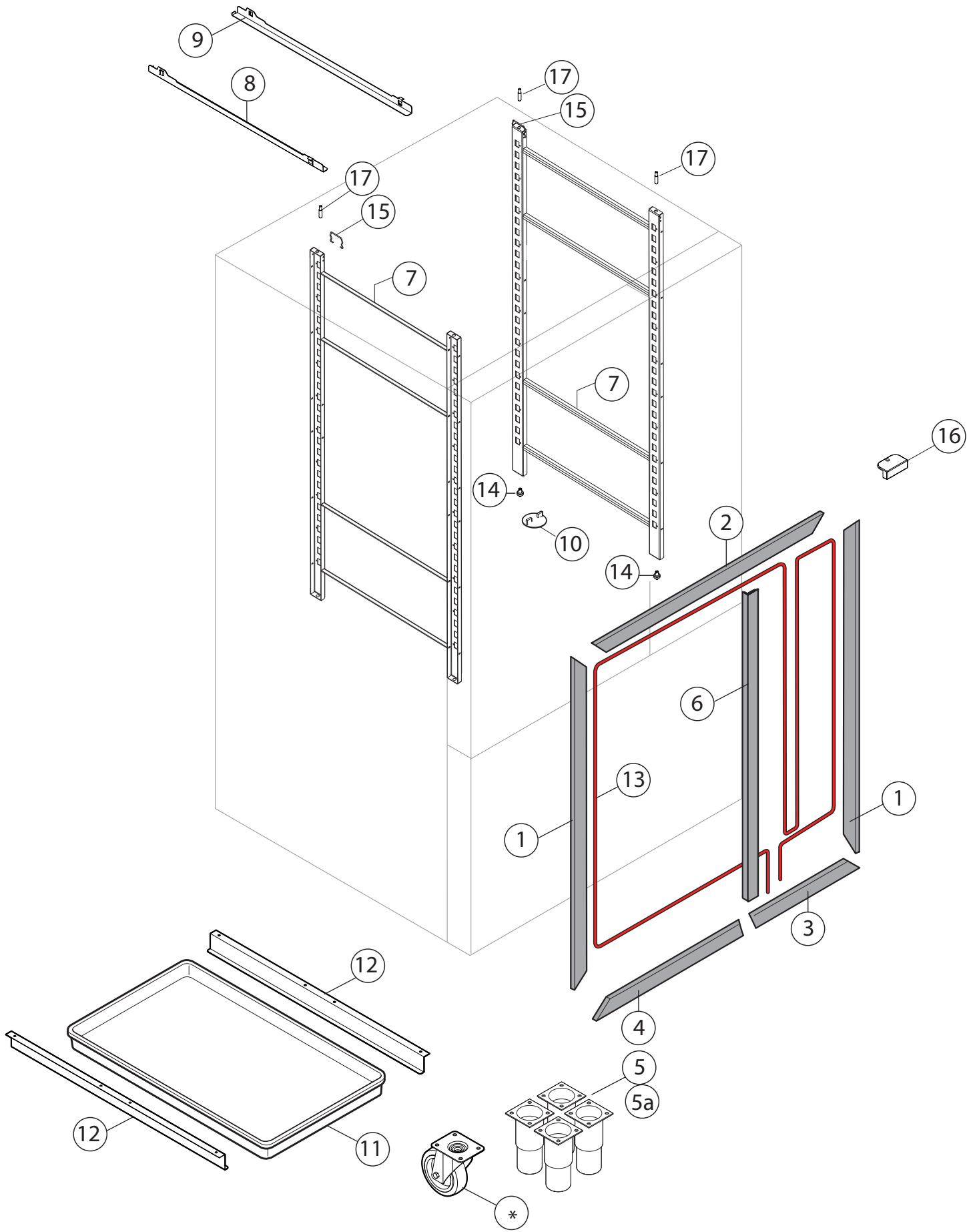
ES: **SKCH30B** = range 30 kg gn 1\1 con gruppo (europa etc.)
SKCH30R = range 30 kg gn 1\1 predisposto remoto (europa etc.)
SKCHU30B = range 30 kg gn 1\1 con gruppo (nord America)
SKCHU30R = range 30 kg gn 1\1 predisposto remoto (remote) (nord America)

Qui di seguito un esempio di identificazione: SKCH30B

F.Mod. PNC 9VTX.....	Comm.Model Ser.Nr.....	Type Ref. SKCH30B	2019
WTot. kW	Volt..... Hz.....	Cyclopentane	Total Current A
Evaporation Heater El. kW	Class x	GWP	CO2-eq t
Lighting W	Cap. Refrigerant	Kg	
Defrost Power kW	Heating power kW		
NF nominal Charge			
Rated Pressure Mpa		 	
IPX4			

Per identificare il corretto codice ricambio procedere con:

- 1.Digitare nel website il PNC riportato sulla targhetta caratteristica.
- 2.Il website mostrerà automaticamente questo catalogo ricambi.
- 3.A questo punto, il codice ricambio è identificabile attraverso il “Type reference” come indicato nel frontespizio sotto la relativa voce “Ref”.



INTERNAL COMPONENTS

From Ser. Nr.
Up to Ser. Nr.

Ed. 01 2024-12
Ed. 01 2024-12

Page: 4 @

Doc No: 595R0AC00

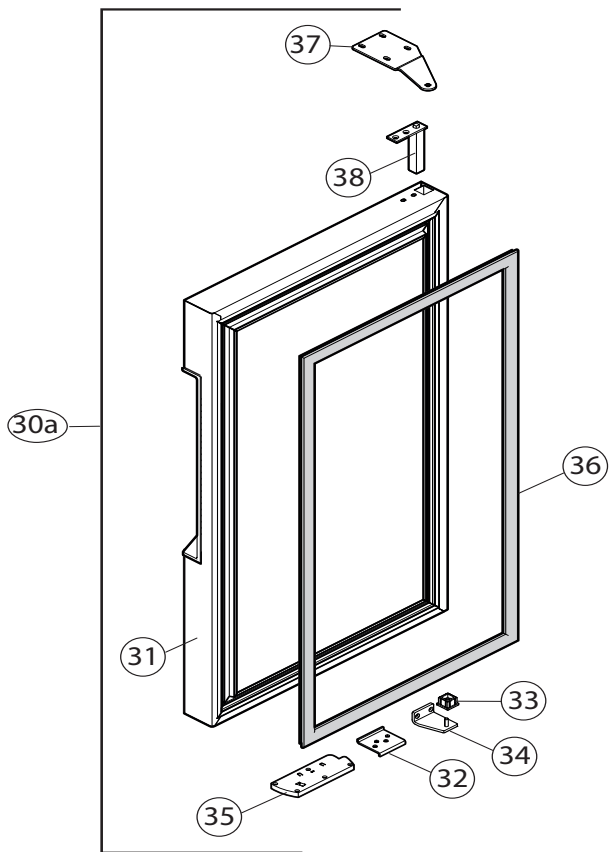
POS	FACTORY CODE	S.P. CODE	DESCRIPTION	V	W&T	REF.	NOTES	S/N BREAK (YYYY/WK)
1	0543R24401	096437	ASSEMBLY COVER WITH MAGNET - V	x		a; b; c; d; e; f	902 mm	
2	0543R23801	096433	ASSEMBLY COVER WITH MAGNET - H	x		a; b; c; d; e; f	775 mm	
3	0543R24201	096435	ASSEMBLY RIGHT COVER WITH MAGNET - H	x		a; b; c; d; e; f	239 mm	
4	0543R24301	096436	ASSEMBLY LEFT COVER WITH MAGNET - H	x		a; b; c; d; e; f	536 mm	
5	0882R01200	095926	KIT MOD FEET H150 BCF	x		a; b; c; d; e; f	With screws	
5a	0855631900	048579	FEET H150/200	x		a; b; c; d; e; f		
6	0543R24901	096442	ASSEMBLY COVER WITH MAGNET -V.P.	x		a; b; c; d; e; f		
7	0833R47301	096552	RACK SUPPORT ASSEMBLY 15/10	x		a; b; c; d; e; f	LEFT AND RIGHT	
8	0505R08L00	096548	LEFT GUIDE FOR RACK 15/10	x		a; b; c; d; e; f		
9	0505R08K00	096547	RIGHT GUIDE FOR RACK 15/10	x		a; b; c; d; e; f		
10	0835r72302	096325	DISCHARGE PLUG DEVICE	x		a; b; c; d; e; f		
11	0242452410	080803	BLACK CONDESATE BASIN		x	a; b; c; d; e; f		
12	0510774302	089977	BASIN GUIDE		x	a; b; c; d; e; f		
13	0617R18401	095991	HEATING ELEMENT CABLE L=4510MM		x	a; b; c; d; e; f		
14	0518R01B00		LOWER PIN FOR BCF JJ SRUCTURE		x	a; b; c; d; e; f		
15	0514R28700	095966	LOCKING SPRING		x	a; b; c; d; e; f		
16	0546R08B00	097535	DOOR GASKET PROTECTION			a; b; c; d; e; f		
17	0518713900	089970	PIN FOR RACK		x	a; b; c; d; e; f		

SPARE PARTS CODE - INTERNAL COMPONENTS

* On demand

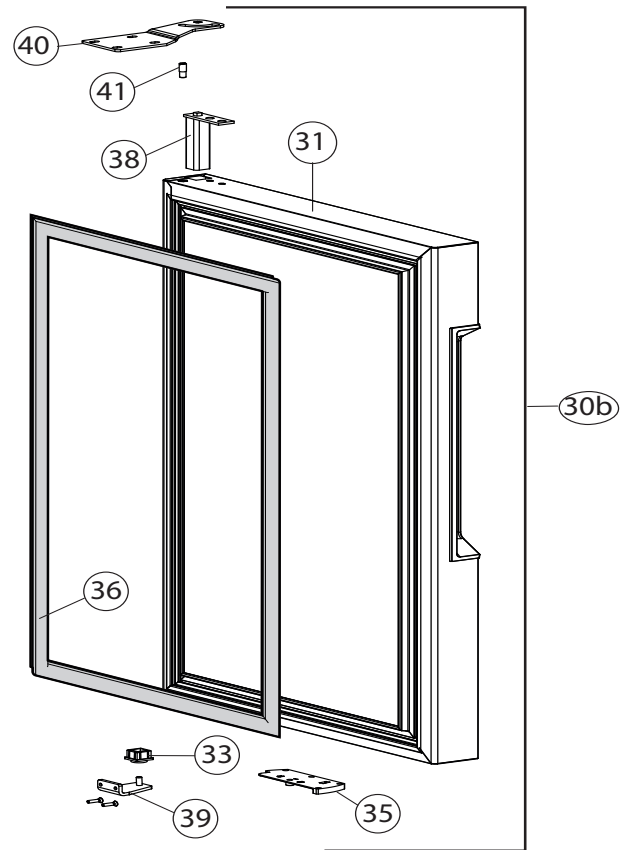
Bold=last change

From Ser. Nr. Up to Ser. Nr.	Ed. 01 2024-12 Ed. 01 2024-12	Page: 5	Doc No: 595R0AC00
---------------------------------	----------------------------------	---------	--------------------------



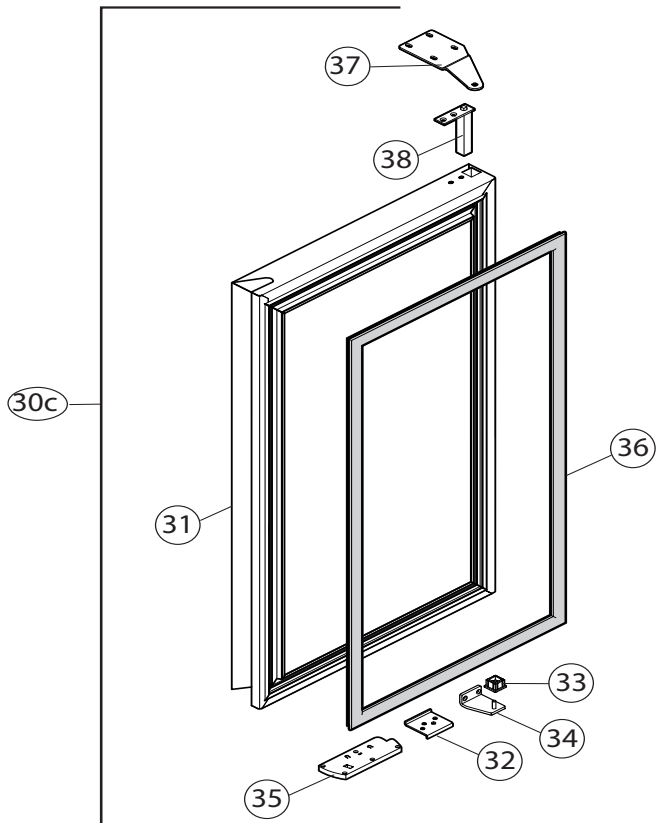
DOOR EPR LEFT

DOOR APX/ZAN LEFT

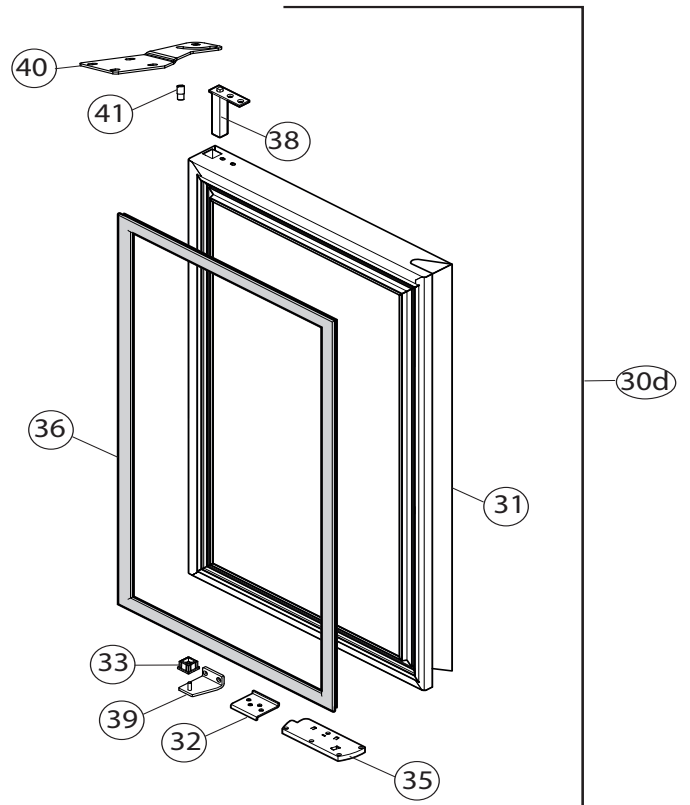


DOOR EPR RIGHT

DOOR APX/ZAN RIGHT



30c



30d

DOORS

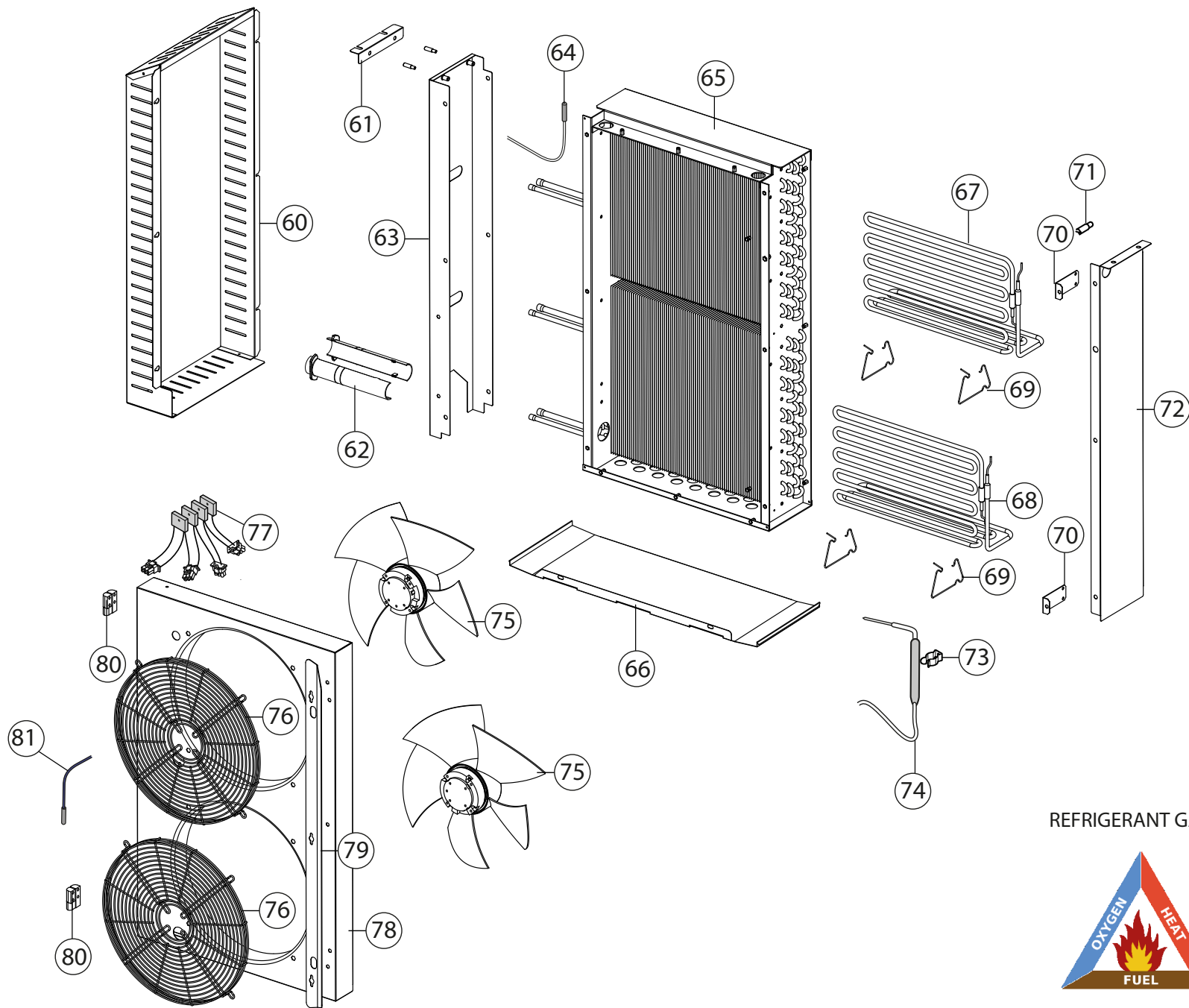
POS	FACTORY CODE	S.P. CODE	DESCRIPTION	V	W&T	REF.	NOTES	S/N BREAK (YYYY/WK)
30a	0882R01604	096586	LEFT DOOR MODULE EPR	x		c; d	EPR LEFT	
30b	0882R09402	096097	RIGHT DOOR MODULE EPR	x		e	EPR RIGHT	
30c	0882R44001	096101	LEFT DOOR MODULE ZAN/APX	x		a; b; f	ZAN/APX LEFT	
30d			RIGHT DOOR MODULE ZAN/APX	x			ZAN/APX RIGHT	
31	0835R51004	095915	LEFT FOAMED DOOR EPR	x		c; d	EPR LEFT	
31	0835R62102	096590	RIGHT FOAMED DOOR EPR	x		e	EPR RIGHT	
31	0835R68801	096585	LEFT FOAMED DOOR ZAN/APX.	x		a; b; f	ZAN/APX LEFT	
31			RIGHT FOAMED DOOR ZAN/APX	x			ZAN/APX RIGHT	
32	0510789201	092917	LOWER DOOR SUPPORT	x		a, b; c; d; f		
33	0544705201	0A8856	LOWER DOOR BUSH	x		a; b; c; d; e; f		
34	0505R26602	095959	LEFT LOWER HINGE	x		a, b; c; d; f		
35	0835R03800	099909	PLATE DOOR OPEN	x		a; b; c; d; e; f		
36	0548R13400	095986	DOOR MAGNETIC GASKET BCF50	x		a; b; c; d; e; f		
37	0505R29600	096054	UPPER HINGE DOOR (LEFT)	x		a; b; c; d; f	EPR/APX/ZAN LEFT	
38	0835714501	083876	UPPER HINGE DOOR	x		a; b; c; d; e; f		
39	0505R26702	095960	RIGHT LOWER HINGE BCF30 JJ	x		e	EPR/ZAN/APX RIGHT	
40	0503R50301	096039	RIGHT UPPER HINGE WITH STOP	x		e	EPR/ZAN/APX RIGHT	
41	0514R28001		STUD FOR DOOR STOP BCF JJ	x		e	EPR/ZAN/APX RIGHT	

SPARE PARTS CODE - DOORS

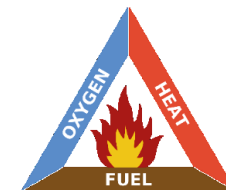
* On demand

Bold=last change

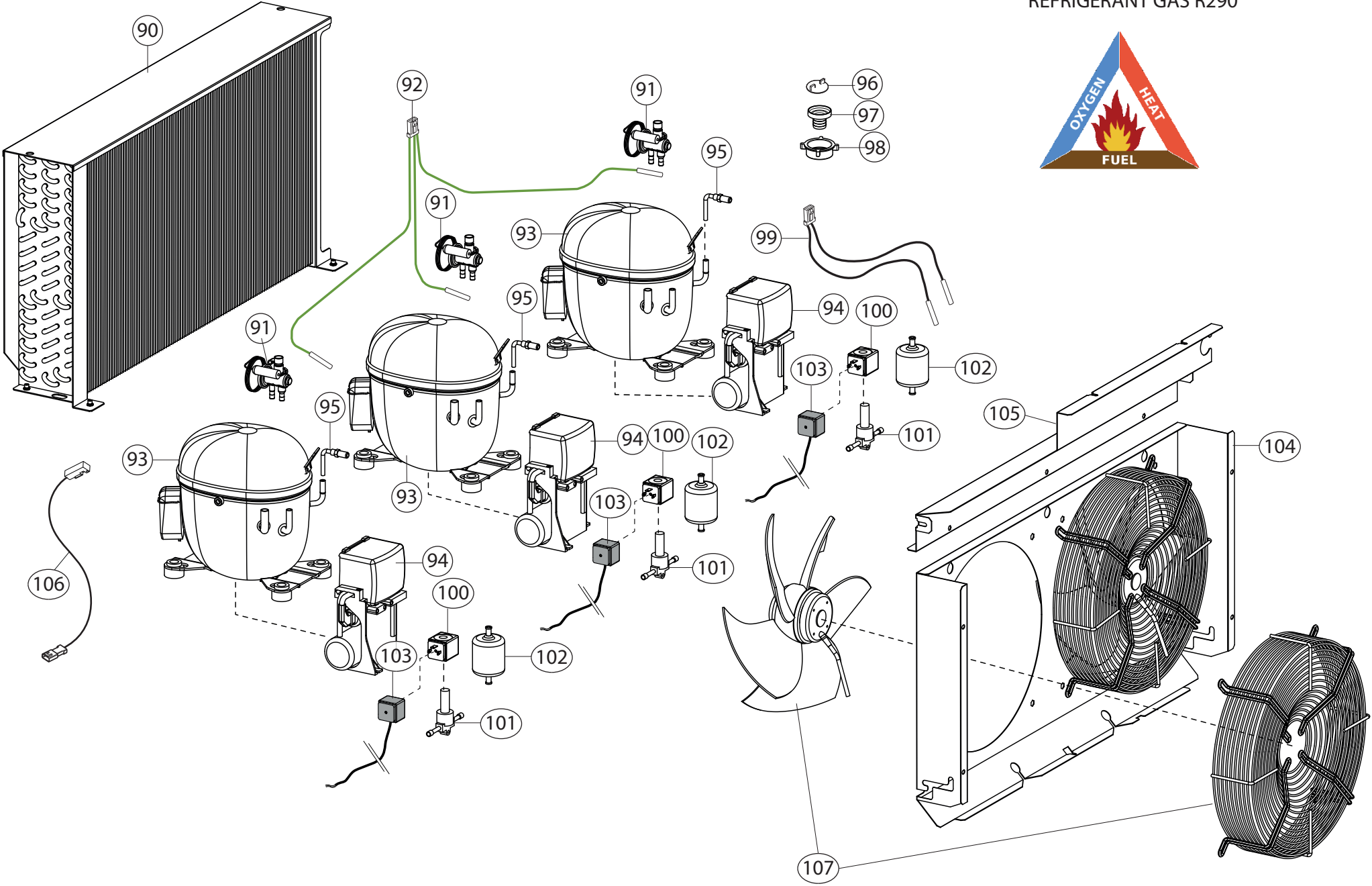
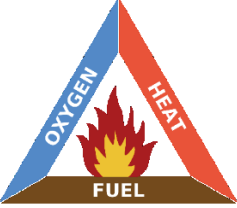
From Ser. Nr. Up to Ser. Nr.	Ed. 01 2024-12 Ed. 01 2024-12	Page: 7	Doc No: 595R0AC00
---------------------------------	----------------------------------	---------	--------------------------



REFRIGERANT GAS R290



EVAPORATOR UNIT



CONDENSING UNIT

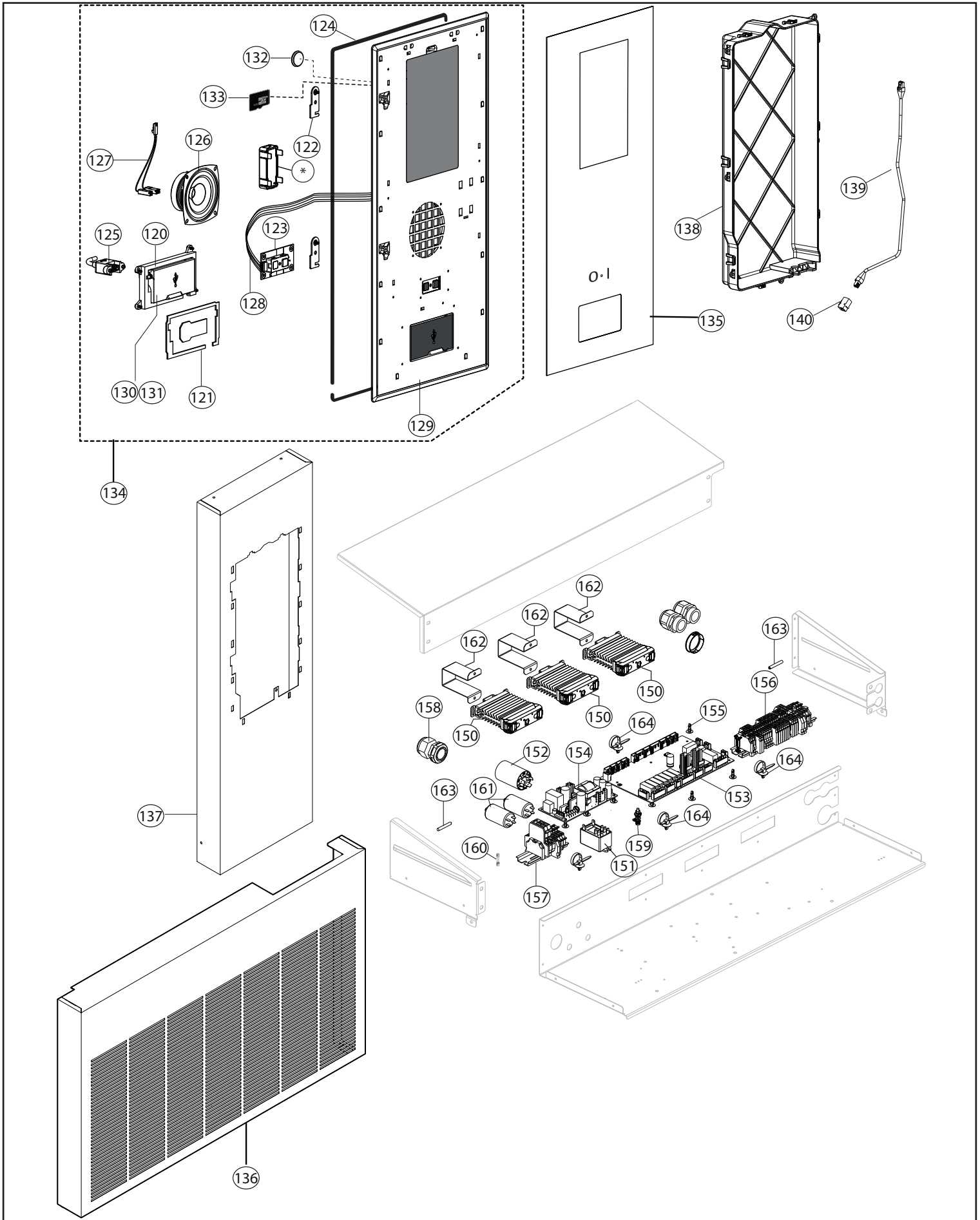
POS	FACTORY CODE	S.P. CODE	DESCRIPTION	V	W&T	REF.	NOTES	S/N BREAK (YYYY/WK)
90	0830R03X00	09A1XH	FINNED COIL CONDENSER	x		a; b; c; d; e; f		
91	0646R07H00	09A1XX	THERMOSTATIC VALVE / EXPANSION VALVE (068U3754) -40/-15 MOP-10, ORIF. 5	x		a; b; c; d; e; f		
92	0646R07L00	09A1ZF	3XGREEN PROBE 6X40 'EVAP OUT1/2/3'	x		a; b; c; d; e; f		
93	0684R06000	093423	COMPRESSOR 220-240V 50HZ	x		a; b; c; d; e; f		
94		09A1ZI	COMPRESSOR KIT (START CAPACITOR, RELAY,...)	x		a; b; c; d; e; f		
95	0845713000	085505	SCHRADEN FILLING VALVE H42	x		a; b; c; d; e; f		
96	0835R72302	096325	DISCHARGE PLUG DEVICE		x	a; b; c; d; e; f		
97	0546R26200	094256	RUBBER SUPPORT		x	a; b; c; d; e; f		
98	0546R26900	094257	NUT 11/2		x	a; b; c; d; e; f		
99	0646R07K00	09A1XZ	BLACK PROBES 6X20 'COND1' + 6X40 'COND 2'	x		a; b; c; d; e; f		
100	0646R14000	095063	COIL FOR SOLENOID VALVE	x		a; b; c; d; e; f		
101	0646746400	088030	SOLENOID VALVE	x		a; b; c; d; e; f		
102	0646725601	088201	FILTER DML052 S	x		a; b; c; d; e; f		
103	0634R05800		SOLENOID VALVE WIRING	x		a; b; c; d; e; f		
104	0503R04H01		CONVEYOR AIR CONDENSER		x	a; b; c; d; e; f		
105	0503R04J00		BACK CROSS-BEAM		x	a; b; c; d; e; f		
106	0640R00K00	09A1XW	DOOR MICRO SWITCH	x		a; b; c; d; e; f		
107	0835R35P00		FAN CONDENSER AND GRID ASSEMBLY	x		a; b; c; d; e; f		

SPARE PARTS LIST - CONDENSING UNIT

* On demand

Bold=last change

From Ser. Nr. Up to Ser. Nr.	Ed. 01 2024-12 Ed. 01 2024-12	Page: 11	Doc No: 595R0AC00
---------------------------------	----------------------------------	----------	--------------------------



CONTROL PANEL

From Ser. Nr.
Up to Ser. Nr.

Ed. 01 2024-12
Ed. 01 2024-12

Page: 12 @

Doc No: 595R0AC00

POS	FACTORY CODE	S.P. CODE	DESCRIPTION	V	W&T	REF.	NOTES	S/N BREAK (YYYY/WK)
120	0546400U02		DRAWER USB SUPPORT			a; b; c; d; e; f		
121	0543401P02	0CK031	GASKET DRAWER USB SUPPORT			a; b; c; d; e; f		
122	0506405M00	0CK432	PANEL HOOK			a; b; c; d; e; f		
123	0675401G00	0CK033	ON/OFF BOARD			a; b; c; d; e; f		
124	0543402Y00	0CK9ES	PLASTIC FRAME GASKET			a; b; c; d; e; f	ORDER 2 PCS	
125	0638404D00	0CK037	WIRING USB			a; b; c; d; e; f		
126	0655400000	0CK039	SPEAKER VISATON			a; b; c; d; e; f		
127	0675401L00	0CK330	WIRING SPEAKER			a; b; c; d; e; f		
128	0675401Q00	0CK045	WIRING ON/OFF BOARD			a; b; c; d; e; f		
129	0543401N01	0CK040	PLASTIC FRAME TOUCH			a; b; c; d; e; f		
130	0546400V01	0CK041	USB COVER			a; b; c; d; e; f		
131	0514405001	0CK032	SPRING FOR DRAWER USB			a; b; c; d; e; f		
132			BATTERY CR2032 V3 LITIO			a; b; c; d; e; f		
133	0675403M00	0CK674	MICROSD HC 8GB CL4 SANDISK			a; b; c; d; e; f		
134	083040PG01	0CK685	ASS. TOUCH UI ELUX PREDISPOSED WITH ETHERNET DIRECT CONNECTION			a; b; c; d; e; f		
135	0755R13902	095934	ADHESIVE DECOR A EPR TOUCH			c; d; e	EPR	
135	0755R16103	095935	ADHESIVE DECOR ZANUSSI TOUCH			a; b	ZAN	
135	0755R16202	095936	ADHESIVE DECOR ALPEN			f	ALPEN	
135	0541402S01		ADHESIVE DECOR DIAMOND			g	DIAMOND	
136	0503R91102	096044	CONDENSER PANEL BCF50 ZAN/APX/			a; b; f	ZAN/ALPEN	
136	0503R21803	095943	CONDENSER PANEL BCF50 JJ EPR			c; d; e	EPR	
137	0502R94703	095941	CONTROL PANEL BCF50 JJ			a; b; c; d; e; f		
138	0541401D01	0CK161	PROTECTION COMAND PANEL			a; b; c; d; e; f		
139	0638406L00	0CB910	ETHERNET CABLE RJ45 M-M CAT.5E L=1000MM			b; c	FOR IOT MODULE	
140	0639402900	0CB911	CONNECTION RJ45 - VS-08-BU-RJ45/ BU - PHOENIX 1689064			b; c	FOR IOT MODULE	
150	0648R11100	096209	RELAY 50A + DISSIPATOR			a; b; c; d; e; f		
151	0648R08400	095281	RELAY FINDER			a; b; c; d; e; f		
152	0694700800	084987	FILTER LC			a; b; c; d; e; f		
153	0648R02T00	09A1XD	ACU PETRA - BITRON ATEX			a; b; c; d; e; f		
154	0648R10000	095639	POWER SUPPLY 12V 30W			a; b; c; d; e; f		
155	0546401600	095984	ROUND SPACER Ø 6,6			a; b; c; d; e; f		
156	0639R05N01	09A1XR	POWER TERMINAL BLOCK			a; b; c; d; e; f		
157	0639R05T00	09A1XS	SUPPLY TERMINAL BLOCK			a; b; c; d; e; f		
158	0544802300		CABLE GLAND + LOCK NUT			a; b; c; d; e; f		
159	0899725901		THREE-PHASE GROUND CONNECTION			a; b; c; d; e; f		
160	0652R02400	095933	GLASS FUSE 10A T 5X20 250 V			a; b; c; d; e; f		
161	0648730000	096009	CAPACITOR 3 mF			a; b; c; d; e; f		
162	0505R09V00		STATIC RELAY SUPPORT			a; b; c; d; e; f		
163	0514R08800		PIN			a; b; c; d; e; f		
164	0639622800	096559	HOSE CLAMP 5x160			a; b; c; d; e; f		

SPARE PARTS LIST - CONTROL PANEL

* On demand

Bold=last change

From Ser. Nr. Up to Ser. Nr.	Ed. 01 2024-12 Ed. 01 2024-12	Page: 13	Doc No: 595R0AC00
---------------------------------	----------------------------------	----------	--------------------------