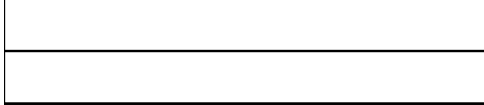
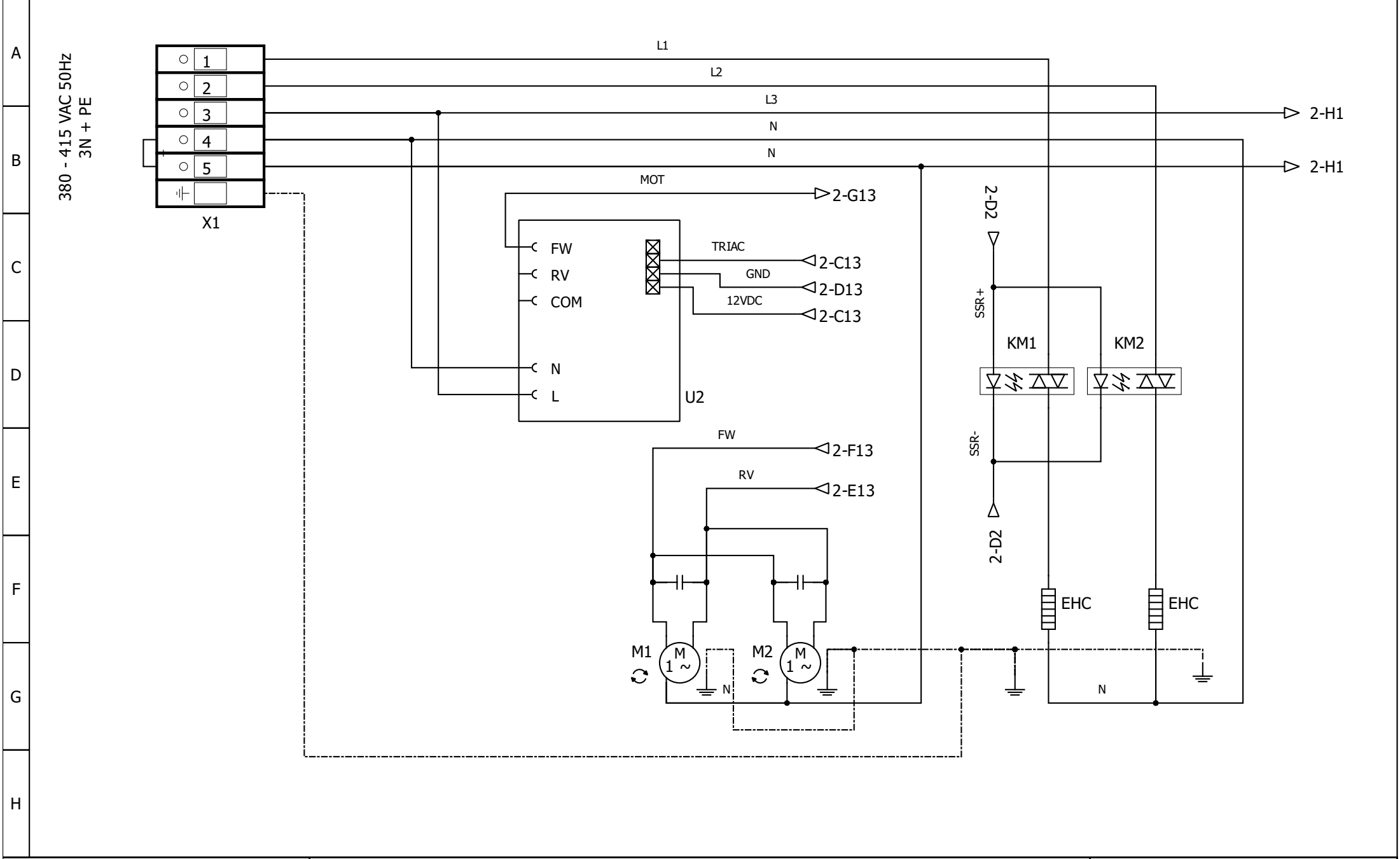




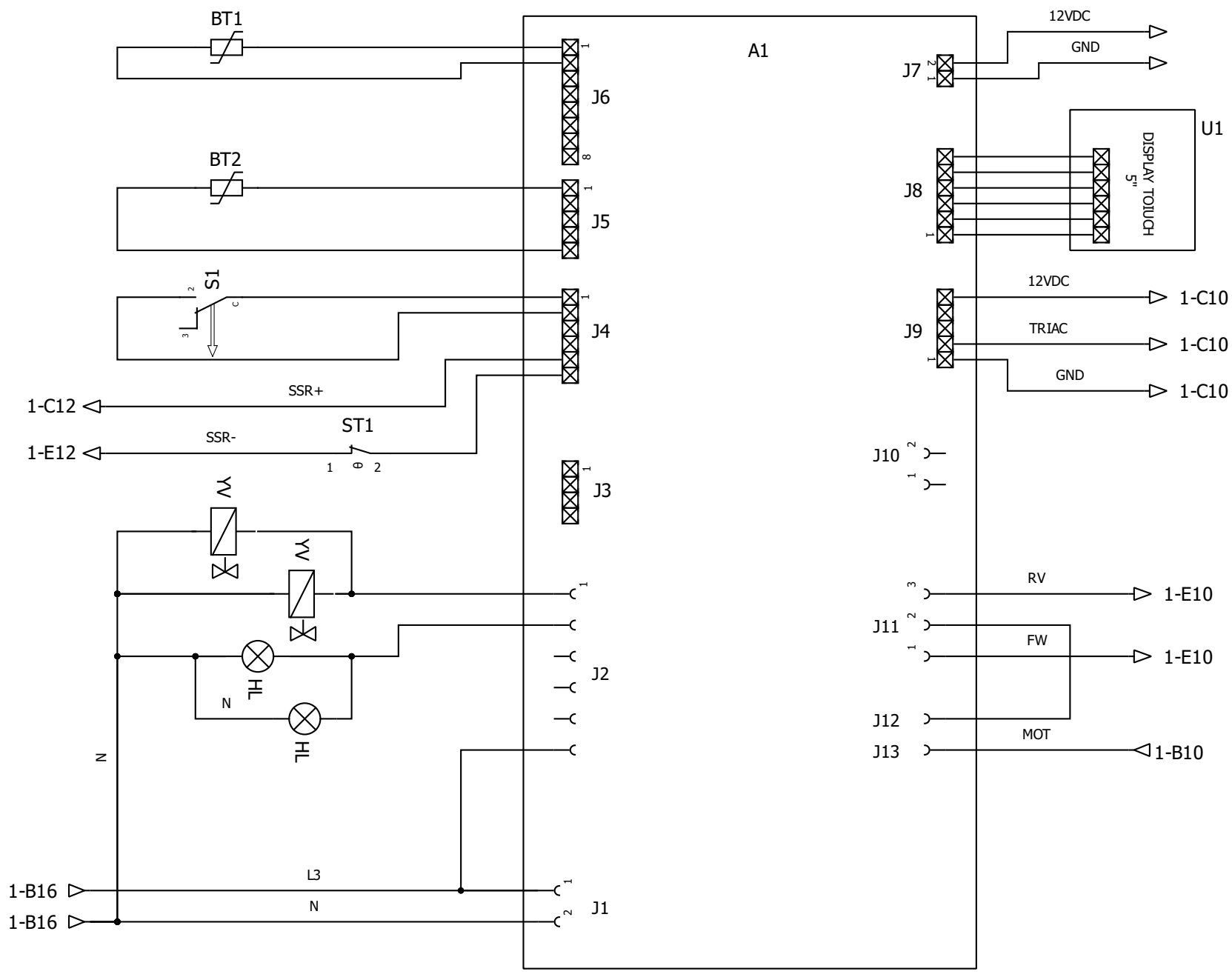
MOD : WR-FCV4-DG

Production code : P011209DIV

08/2025



A
B
C
D
E
F
G
H



SIG	DESCRIPTION
X1	MAIN TERMINAL BOARD
A1	MAIN CONTROL BOARD
BT1	COOK. CHAMBER TEMPERATURE PROBE
S1	DOOR SWITCH
M1	CHAMBER HEATING FAN MOTOR
M2	CHAMBER HEATING FAN MOTOR
C1	FAN MOTOR CAPACITOR
C2	FAN MOTOR CAPACITOR
KM1	HEATING ELEMENTS CONTACTOR
KM2	HEATING ELEMENTS CONTACTOR
ST1	CHAMBER SAFETY THERMOSTAT
YV	H2O ELECTRICALVALVE
HL	CHAMBER LIGHT
EHC	CHAMBER HEATING ELEMENT
U1	5" TOUCH DISPLAY
BT2	HEART TEMPER. SENSOR
U2	PHASE CUTOFF
HA	BUZZER



FORNO 4 TEGLIE DIGITALE