



MOD : BCC/XT-06-R2

Production code : 729735

Jet engine compressor drawings

Creative
MARKET

08/2025

SPARE PARTS CATALOGUE

BLAST CHILLERS/FREEZERS

30 KG CHILLERS/FREEZERS 6 GN 1/1 R290

PNC	MODEL	REF.	PAG.	DESCRIPTION	NOTE/BRAND
		a	3-13	RAPIDO BLAST CHILLER FREEZER 30/30KG 6 GN 1/1 - WITH TOP R290	
		b	3-13	RAPIDO BLAST CHILLER FREEZER 30/30KG 6 GN 1/1 - FOR TOWER EXECUTION R290	
		c	3-13	RAPIDO BLAST CHILLER FREEZER 30/30KG 6 GN 1/1 - FOR TOWER EXECUTION - WITH IOT MODULE R290	
		d	3-13	SKYLINE CHILLS BLAST CHILLER FREEZER 30/30KG 6 GN 1/1 - FOR TOWER EXECUTION - WITH IOT MODULE R290	
		e	3-13	SKYLINE CHILLS BLAST CHILLER FREEZER 30/30KG 6 GN 1/1 - FOR TOWER EXECUTION R290	
		f	3-13	SKYLINE CHILLS BLAST CHILLER FREEZER 30/30KG 6 GN 1/1 - WITH TOP R290	
		g	3-13	SKYLINE CHILLS BLAST CHILLER FREEZER 30/30KG 6 GN 1/1 - WITH TOP - LEFT HINDGED DOOR R290	
		h	3-13	SKYLINE CHILLS BLAST CHILLER FREEZER 30/30KG 6 GN 1/1 - FOR TOWER EXECUTION - LEFT HINDGED DOOR R290	
		j	3-13	CRIO CHILL BLAST CHILLER FREEZER 30/30KG 6 GN 1/1 - WITH TOP R290	
		k	3-13	CRIO CHILL BLAST CHILLER FREEZER 30/30KG 6 GN 1/1 - FOR TOWER EXECUTION R290	
729735	NBFA61WE	m	3-13	BLAST CHILLER FREEZER 30/30KG 6 GN 1/1 - FOR TOWER EXECUTION - R290 (DIAMOND)	Diamond

INDEX - INDICE

PAG.

TYPE REFERENCE DESCRIPTION	3
INTERNAL COMPONENTS	4
SPARE PARTS LIST - INTERNAL COMPONENTS	5
DOORS	6
SPARE PARTS LIST - DOORS	7
EVAPORATOR UNIT	8
SPARE PARTS LIST - EVAPORATOR UNIT	9
CONDENSING UNIT	10
SPARE PARTS LIST - CONDENSING UNIT	11
CONTROL PANEL	12
SPARE PARTS LIST - CONTROL PANEL	13

How to put in relation the “Type Ref.” reported on the data plate with the “Type reference” reported on the front page of the Spare Part Catalogue:

The “Type Ref.” represents a group of models/brands all with similar technical features, hence possible to be reported under the same scheme in terms of exploded views.

SKCH

- B= UNIT ON BOARD CONDENSING UNIT
- R= REMOTE CONDENSING UNIT
- 30 = range 30 kg
50 = range 50 kg
70 = range 70 kg
100 = range 100 kg
150 = range 150 kg
200 = range 200 kg
- SKCH = SKYLINE CHILLER\FREEZER
(EUROPA\SAUDI ARABIA\KOREA)
- SKCHU = SKYLINE CHILLER\FREEZER
(NORD AMERICA)

ES: **SKCH30B** = range 30 kg gn 1\1 with cooling unit (europa etc.)
SKCH30R = range 30 kg gn 1\1 without cooling unit (remote) (europa etc.)
SKCHU30B = range 30 kg gn 1\1 with cooling unit (nord America)
SKCHU30R = range 30 kg gn 1\1 without cooling unit (remote) (nord America)

Find below an identification example: SKCH30B

F.Mod. PNC 9VTX.....	Comm.Model Ser.Nr.....	Type Ref. SKCH30B	2019
WTot. kW	Volt..... Hz.....	Cyclopentane	Total Current A
Evaporation Heater El. kW	Class x	GWP	CO2-eq t
Lighting W	Cap. Refrigerant	Kg	
Defrost Power kW	Heating power kW		
NF nominal Charge			
Rated Pressure Mpa		CE	IPX4

For the right spare code identification follow the steps:

- 1.Type in the website the PNC reported on the data plate.
- 2.The website will automatically display this spare part catalogue.
- 3.The spare part code at this point is referenced through the “Type reference” as from the front page by the relevant “Ref”.

Come mettere in relazione il “Type Ref.” Riportato sulla targhetta caratteristica con il “Type reference” riportato sul frontespizio del catalogo ricambi:

Il “Type Ref.” Rappresenta un gruppo di modelli/marchi con simili caratteristiche tecniche, ossia possibili da rappresentare con il medesimo schema in termini di vista esplosa.

SKCH

- B= UNITA' CON GRUPPO
- R= UNITA' PREDISPOSTA REMOTA
- 30 = MODELLO 30 kg
50 = MODELLO 50 kg
70 = MODELLO 70 kg
100 = MODELLO 100 kg
150 = MODELLO 150 kg
200 = MODELLO 200 kg
- SKCH = SKYLINE CHILLER\FREEZER
(EUROPA\SAUDI ARABIA\KOREA)
- SKCHU = SKYLINE CHILLER\FREEZER
(NORD AMERICA)

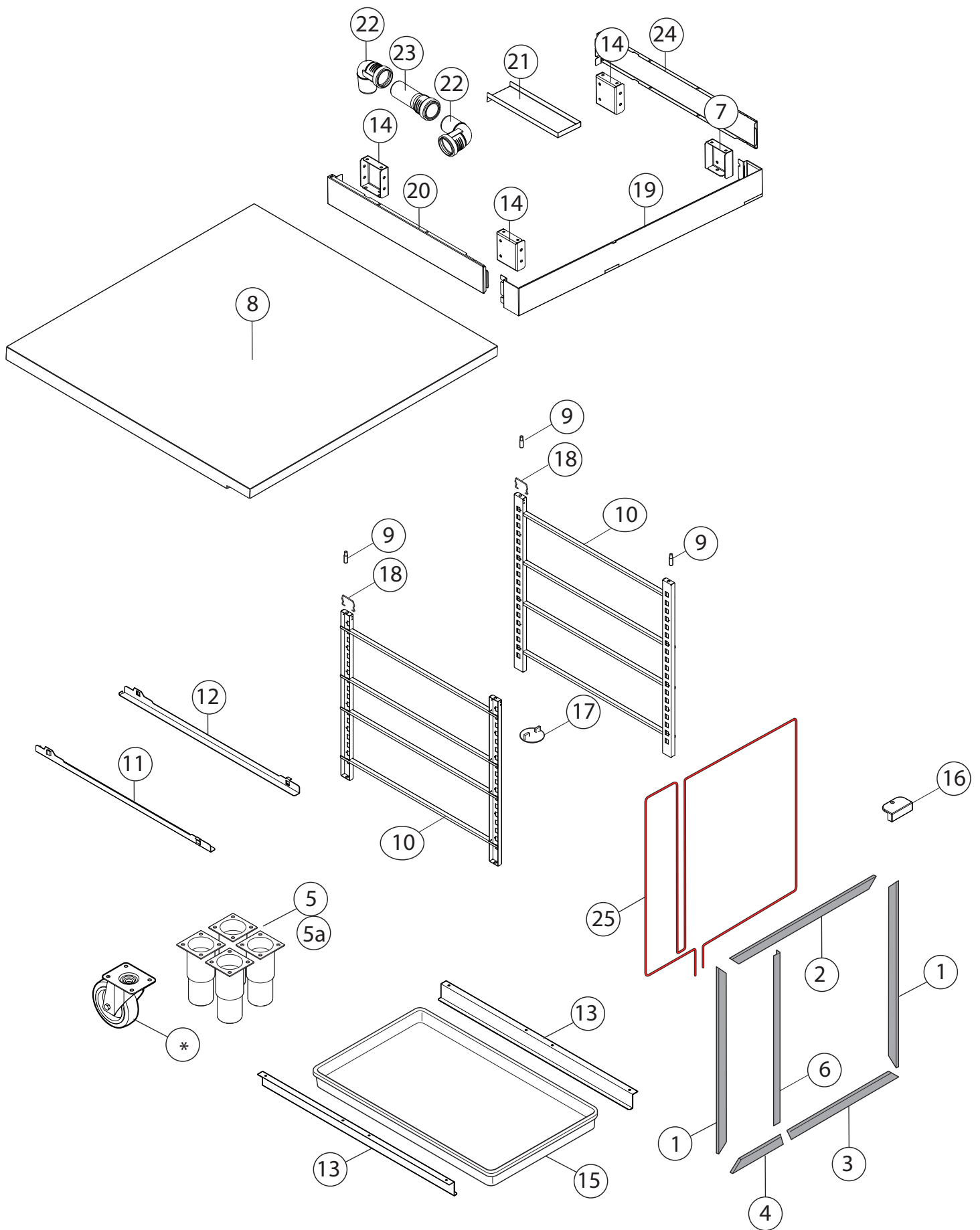
ES: **SKCH30B** = range 30 kg gn 1\1 con gruppo (europa etc.)
SKCH30R = range 30 kg gn 1\1 predisposto remoto (europa etc.)
SKCHU30B = range 30 kg gn 1\1 con gruppo (nord America)
SKCHU30R = range 30 kg gn 1\1 predisposto remoto (remote) (nord America)

Qui di seguito un esempio di identificazione: SKCH30B

F.Mod. PNC 9VTX.....	Comm.Model Ser.Nr.....	Type Ref. SKCH30B	2019
WTot. kW	Volt..... Hz.....	Cyclopentane	Total Current A
Evaporation Heater El. kW	Class x	GWP	CO2-eq t
Lighting W	Cap. Refrigerant	Kg	
Defrost Power kW	Heating power kW		
NF nominal Charge			
Rated Pressure Mpa		CE	IPX4

Per identificare il corretto codice ricambio procedere con:

- 1.Digitare nel website il PNC riportato sulla targhetta caratteristica.
- 2.Il website mostrerà automaticamente questo catalogo ricambi.
- 3.A questo punto, il codice ricambio è identificabile attraverso il “Type reference” come indicato nel frontespizio sotto la relativa voce “Ref”.



INTERNAL COMPONENTS

From Ser. Nr.
Up to Ser. Nr.

Ed. 01 2024-12
Ed. 01 2024-12

Page: 4 @

Doc No: 595R0A500

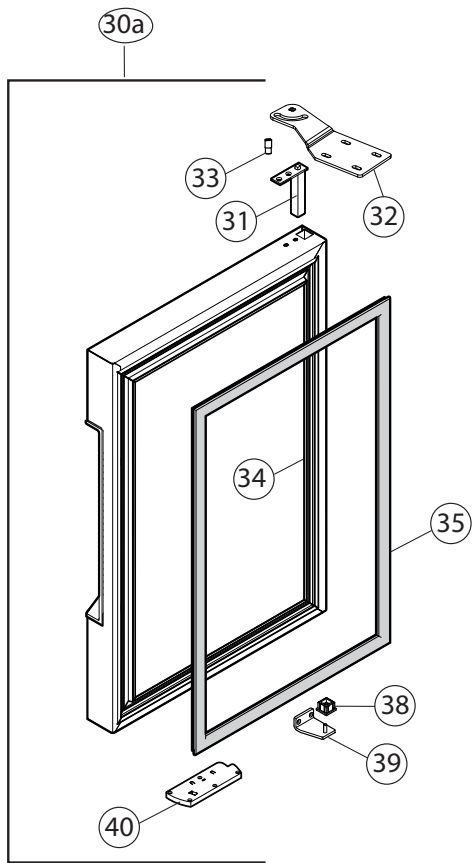
POS	FACTORY CODE	S.P. CODE	DESCRIPTION	V	W&T	REF.	NOTES	S/N BREAK (YYYY/WK)
1	0543R24101	096434	ASSEMBLY COVER WITH MAGNET - V	x		a; b; c; d; e; f; g; h; j; k		
2	0543R23800	096433	ASSEMBLY COVER WITH MAGNET - H	x		a; b; c; d; e; f; g; h; j; k		
3	0543R23901	097777	ASSEMBLY COVER WITH MAGNET - H	x		a; b; c; d; e; f; g; h; j; k		
4	0543R24001		ASSEMBLY COVER WITH MAGNET - H	x		a; b; c; d; e; f; g; h; j; k		
5	0882R01200	095926	KIT MOD FEET H150 BCF	x		a; b; c; d; e; f; g; h; j; k	With screws	
5a	0855631900	048579	FEET H150/200	x		a; b; c; d; e; f; g; h; j; k		
6	0543R24800	096441	ASSEMBLY COVER WITH MAGNET - V P	x		a; b; c; d; e; f; g; h; j; k		
7	0505R28200	096051	FRONT RIGHT SUPPORT FOR H100			b; c; d; e; h; k	Stacking KIT	
8	0882R16200	095927	TOP MODULE BCF30 JJ		x	a; f; j	RIGHT HINGED	
8	0882R85201		TOP MODULE BCF30 JJ		x	g	LEFT HINGED	
9	0518713900	089970	PIN FOR RACK		x	a; b; c; d; e; f; g; h; j; k		
10	0833R47001	096551	RACK SUPPORT ASSEMBLY 15/10	x		a; b; c; d; e; f; g; h; j; k		
11	0505R08L00	096548	LEFT GUIDE FOR RACK 15/10	x		a; b; c; d; e; f; g; h; j; k		
12	0505R08K00	096547	RIGHT GUIDE FOR RACK 15/10	x		a; b; c; d; e; f; g; h; j; k		
13	0510774302	089977	BASIN GUIDE		x	a; b; c; d; e; f; g; h; j; k		
14	0505R28300	096052	SUPPORT FOR BCF 30 TOWER H100			b; c; d; e; h; k	Stacking KIT	
15	0242452410	080803	BLACK CONDESATE BASIN		x	a; b; c; d; e; f; g; h; j; k		
16	0546R08B00	097535	DOOR GASKET PROTECTION			a; b; c; d; e; f; g; h; j; k		
17	0835R72302	096325	DISCHARGE PLUG DEVICE	x		a; b; c; d; e; f; g; h; j; k		
18	0514R28700	095966	LOCKING SPRING BCF JJ		x	a; b; c; d; e; f; g; h; j; k		
19	0504R13200		FRONT PANEL STAKING KIT BCF30			b; c; d; e; h; k	Stacking KIT	
20	0504R13300		LEFT SIDE PANEL STAKING KIT			b; c; d; e; h; k	Stacking KIT	
21	0503R94200	096045	WATER DISCHARGE COLLECTOR			b; c; d; e; h; k	Stacking KIT	
22	0515404U00	096057	ELBOW DRAIN PIPE			b; c; d; e; h; k	Stacking KIT	
23	0544402200	096035	RIGHT DRAIN PIPE			b; c; d; e; h; k	Stacking KIT	
24	0504R13400	OTTMAU	RIGHT SIDE PANEL STAKING KIT			b; c; d; e; h; k	Stacking KIT	
25	0617R18301	095990	HEATING ELEMENT CABLE L=3165MM		x	a; b; c; d; e; f; g; h; j; k		

SPARE PARTS CODE - INTERNAL COMPONENTS

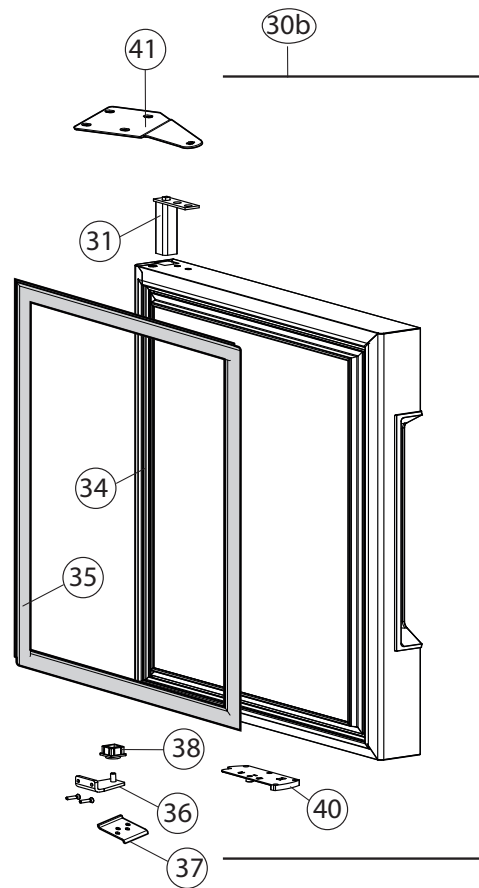
* On demand

Bold=last change

From Ser. Nr. Up to Ser. Nr.	Ed. 01 2024-12 Ed. 01 2024-12	Page: 5	Doc No: 595R0A500
---------------------------------	----------------------------------	---------	--------------------------

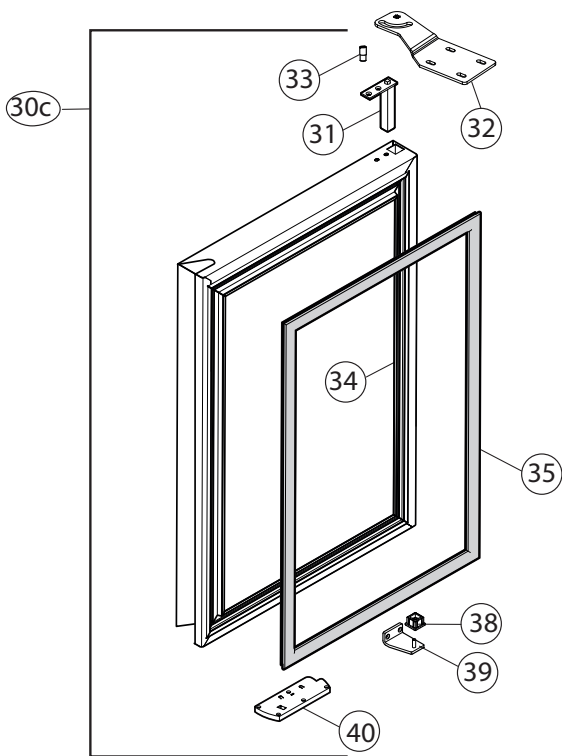


DOOR EPR LEFT

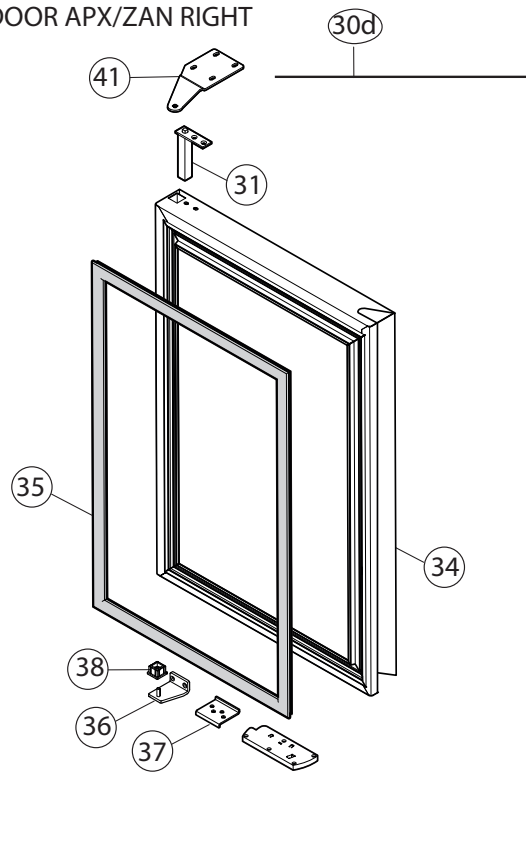


DOOR EPR RIGHT

DOOR APX/ZAN LEFT



DOOR APX/ZAN RIGHT



DOORS

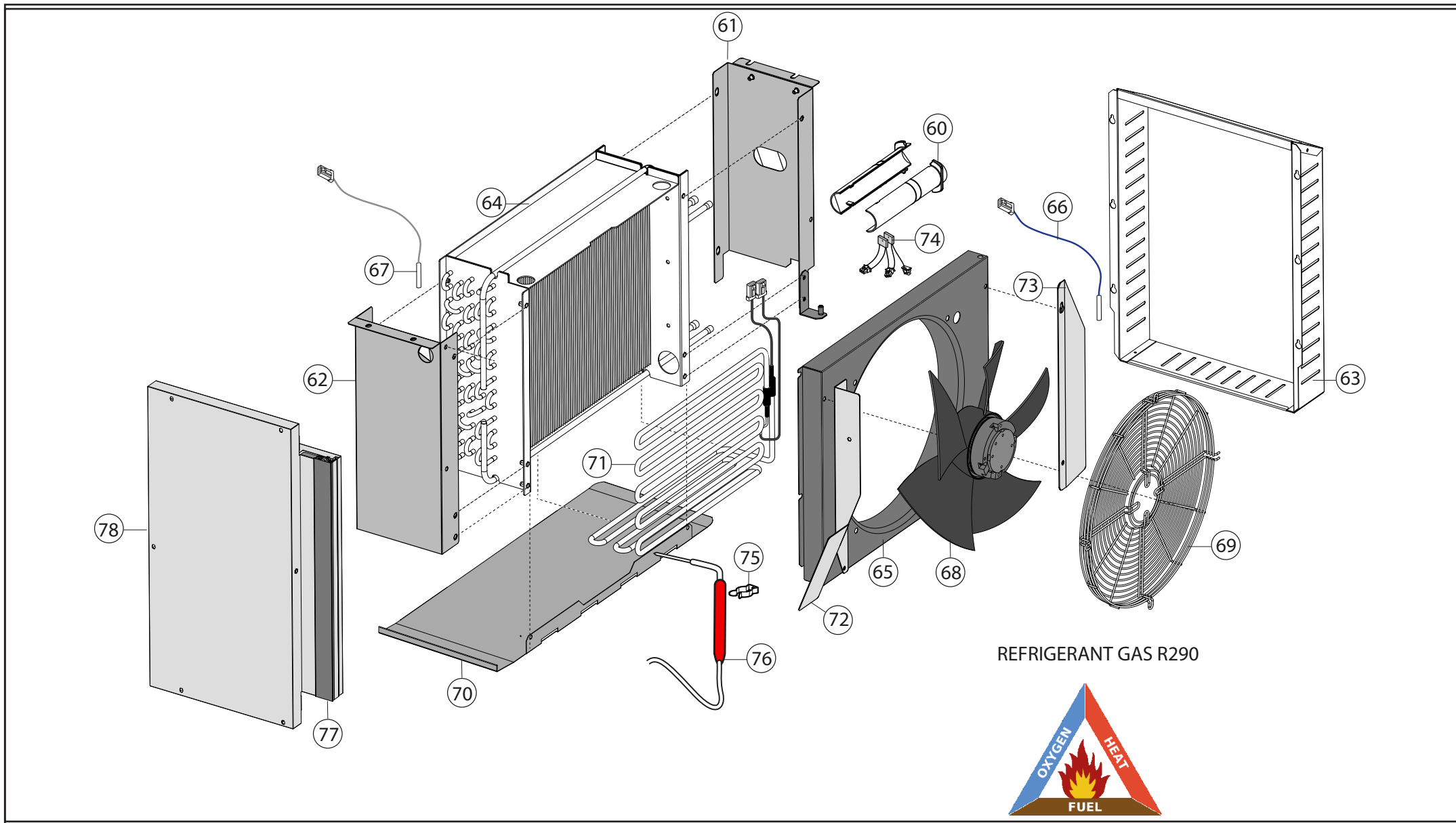
POS	FACTORY CODE	S.P. CODE	DESCRIPTION	V	W&T	REF.	NOTES	S/N BREAK (YYYY/WK)
30a	0882R11402	096098	LEFT DOOR MODULE EPR	x		g; h	EPR LEFT	
30b	0882R15404	096581	RIGHT DOOR MODULE EPR	x		d; e; f	EPR RIGHT	
30c			LEFT DOOR MODULE ZAN/APX	x			ZAN/APX LEFT	
30d	0882R44301	096102	RIGHT DOOR MODULE ZAN/APX	x		a; b; c; j; k	ZAN/APX RIGHT	
31	0835714501	083876	UPPER HINGE DOOR	x		a; b; c; d; e; f; g; h; j; k		
32	0503R50401	096040	LEFT UPPER HINGE WITH STOPPER	x		g; h	EPR LEFT	
33	0514R28001		STUD FOR DOOR STOP BCF JJ	x		g; h	EPR LEFT	
34	0835R59604	095918	DOOR FOAMED RIGHT ELUX BCF30	x		d; e; f	EPR RIGHT	
34	0835R69101		DOOR FOAMED RIGHT ELUX BCF30	x		a; b; c; j; k	ZAN/APX RIGHT	
34	0835R63702	096582	DOOR FOAMED LEFT ELUX BCF30	x		g; h	EPR LEFT	
34			DOOR FOAMED LEFT ELUX BCF30	x			ZAN/APX LEFT	
35	0548R13300	095985	DOOR MAGNETIC GASKET BCF30	x		a; b; c; d; e; f; g; h; j; k		
36	0505R26702	095960	RIGHT LOWER HINGE DOOR	x		a; b; c; d; e; f; j; k	RIGHT HINGED	
37	0510789200	092917	LOWER DOOR SUPPORT	x		a; b; c; d; e; f; j; k	RIGHT HINGED	
38	0544700601	081654	LOWER DOOR BUSH	x		a; b; c; d; e; f; g; h; j; k		
39	0505R26602	095959	LEFT LOWER HINGE	x		g; h	LEFT HINGED	
40	0835R03800	099909	PLATE DOOR OPEN	x		a; b; c; d; e; f; g; h; j; k		
41	0505R29500	096053	RIGHT UPPER HINGE DOOR	x		a; b; c; d; e; f; j; k	RIGHT HINGED	

SPARE PARTS CODE - DOORS

* On demand

Bold=last change

From Ser. Nr. Up to Ser. Nr.	Ed. 01 2024-12 Ed. 01 2024-12	Page: 7	Doc No: 595R0A500
---------------------------------	----------------------------------	---------	--------------------------



EVAPORATOR UNIT

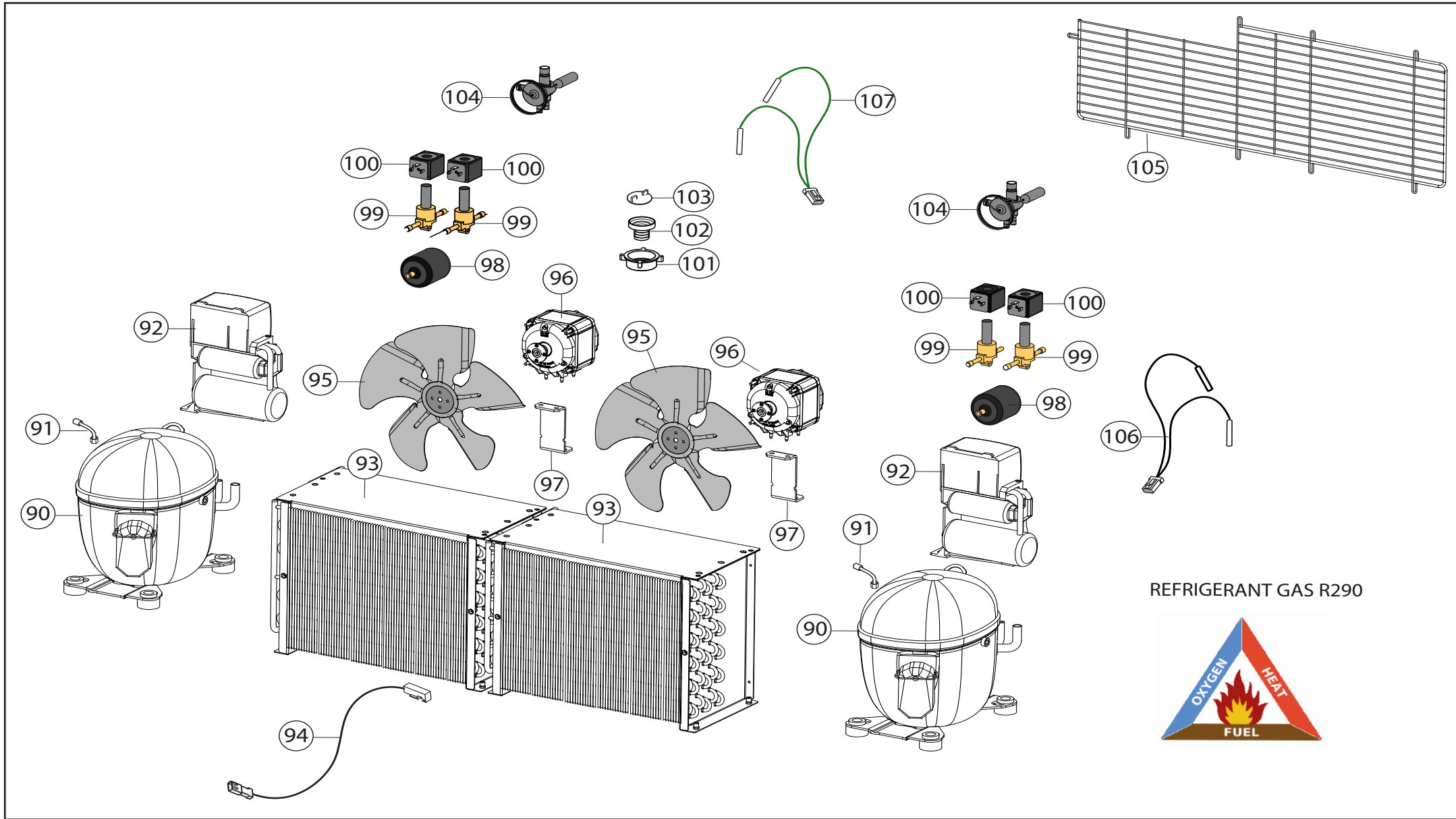
From Ser. Nr.
Up to Ser. Nr.

Ed. 01 2024-12
Ed. 01 2024-12

Page: 8

@

Doc No: 595R0A500



CONDENSING UNIT

From Ser. Nr.
Up to Ser. Nr.

Ed. 01 2024-12
Ed. 01 2024-12

Page: 10

@

Doc No: 595R0A500

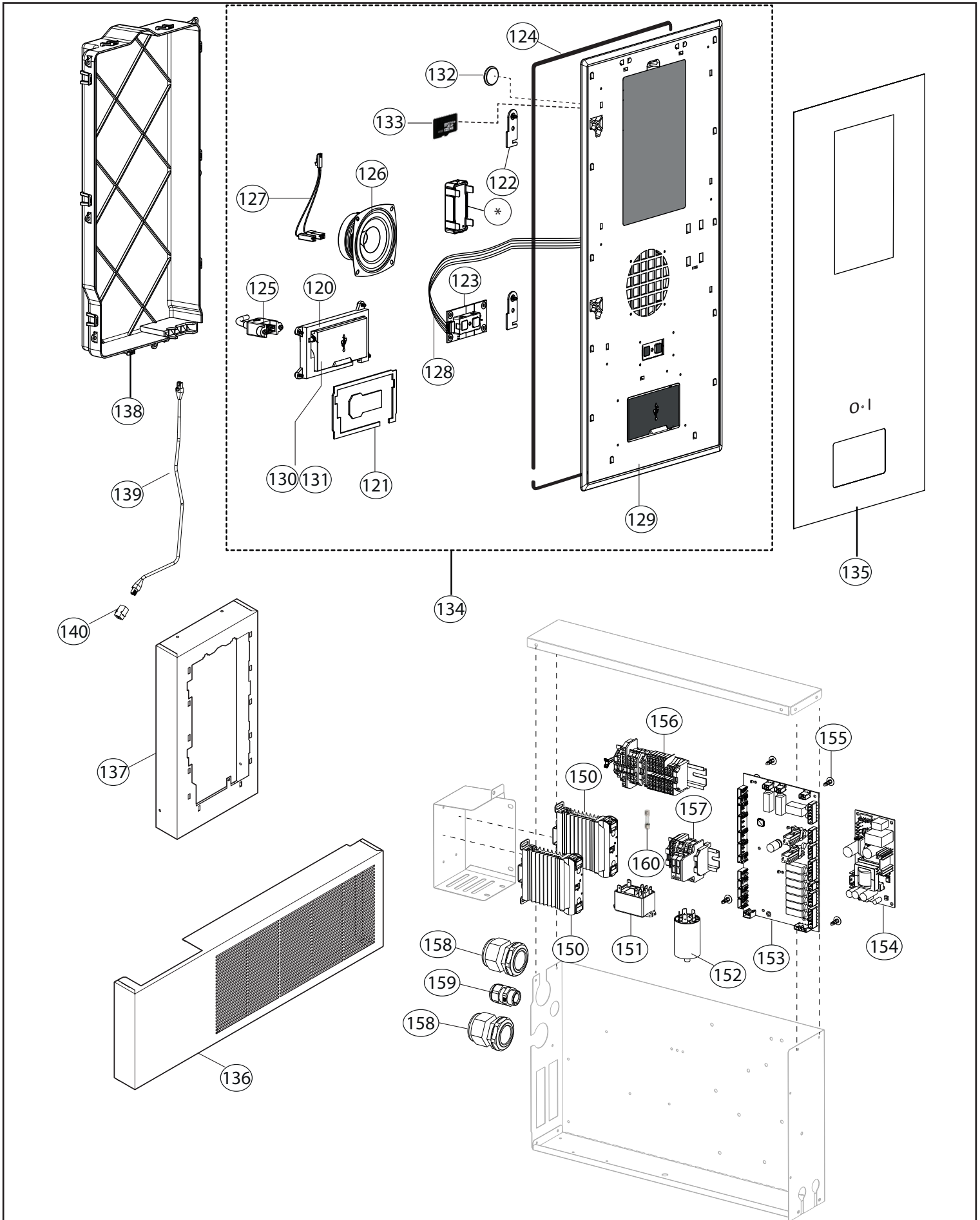
POS	FACTORY CODE	S.P. CODE	DESCRIPTION	V	W&T	REF.	NOTES	S/N BREAK (YYYY/WK)
90	0684R06000	093423	COMPRESSOR 220-240V 50HZ	x		a; b; c; d; e; f; g; h; j; k		
91	0845713000	085505	SCHRADEN FILLING VALVE H42	x		a; b; c; d; e; f; g; h; j; k		
92		09A1ZI	COMPRESSOR KIT (START CAPACITOR, RELAY,...)	x		a; b; c; d; e; f; g; h; j; k		
93	0830R03T00	09A1XG	GAS CONDENSER	x		a; b; c; d; e; f; g; h; j; k		
94	0640R00K00	09A1XW	DOOR MICRO SWITCH	x		a; b; c; d; e; f; g; h; j; k		
95	0682R12401	096012	CONDENSER MOTOR FAN 230-240V/50-60 HZ	x		a; b; c; d; e; f; g; h; j; k		
96	0511R01900	094955	CONDENSER FAN	x		a; b; c; d; e; f; g; h; j; k		
97	0505R09R00		BRACKET FOR ELCO CONDENSER FAN		x	a; b; c; d; e; f; g; h; j; k		
98	0646725601	088201	FILTER DML052 S	x		a; b; c; d; e; f; g; h; j; k		
99	0646746400	088030	SOLENOID VALVE	x		a; b; c; d; e; f; g; h; j; k		
100	0646R14000	095063	COIL FOR SOLENOID VALVE	x		a; b; c; d; e; f; g; h; j; k		
101	0546R26900	094257	NUT 1'1/2		x	a; b; c; d; e; f; g; h; j; k		
102	0546R26200	094256	RUBBER SUPPORTFOR PIPE		x	a; b; c; d; e; f; g; h; j; k		
103	0835R72302	096325	DISCHARGE PLUG DEVICE		x	a; b; c; d; e; f; g; h; j; k		
104	0646R07H00	09A1XX	THERMOSTATIC VALVE / EXPANSION VALVE (068U3754) -40/-15 MOP-10, ORIF. 5	x		a; b; c; d; e; f; g; h; j; k		
105	0514R05P00		BACK GRID		x	a; b; c; d; e; f; g; h; j; k		
106	0646R07K00	09A1XZ	BLACK PROBES 6X20 'COND1' + 6X40 'COND 2'	x		a; b; c; d; e; f; g; h; j; k		
107	0646R07P00	09A1Y0	2x GREEN PROBE 6X40 'EVAP OUT1/2	x		a; b; c; d; e; f; g; h; j; k		

SPARE PARTS LIST - CONDENSING UNIT

* On demand

Bold=last change

From Ser. Nr. Up to Ser. Nr.	Ed. 01 2024-12 Ed. 01 2024-12	Page: 11	Doc No: 595R0A500
---------------------------------	----------------------------------	----------	--------------------------



CONTROL PANEL

From Ser. Nr.
Up to Ser. Nr.

Ed. 01 2024-12
Ed. 01 2024-12

Page: 12 @

Doc No: 595R0A500

POS	FACTORY CODE	S.P. CODE	DESCRIPTION	V	W&T	REF.	NOTES	S/N BREAK (YYYY/WK)
120	0546400U02		DRAWER USB SUPPORT			a; b; c; d; e; f; g; h; j; k		
121	0543401P02	0CK031	GASKET DRAWER USB SUPPORT			a; b; c; d; e; f; g; h; j; k		
122	0506405M00	0CK432	PANEL HOOK			a; b; c; d; e; f; g; h; j; k		
123	0675401G00	0CK033	ON/OFF BOARD			a; b; c; d; e; f; g; h; j; k		
124	0543402Y00	0CK9ES	PLASTIC FRAME GASKET			a; b; c; d; e; f; g; h; j; k	ORDER 2 PCS	
125	0638404D00	0CK037	WIRING USB			a; b; c; d; e; f; g; h; j; k		
126	0655400000	0CK039	SPEAKER VISATON			a; b; c; d; e; f; g; h; j; k		
127	0675401L00	0CK330	WIRING SPEAKER			a; b; c; d; e; f; g; h; j; k		
128	0675401Q00	0CK045	WIRING ON/OFF BOARD			a; b; c; d; e; f; g; h; j; k		
129	0543401N01	0CK040	PLASTIC FRAME TOUCH			a; b; c; d; e; f; g; h; j; k		
130	0546400V01	0CK041	USB COVER			a; b; c; d; e; f; g; h; j; k		
131	0514405001	0CK032	SPRING FOR DRAWER USB			a; b; c; d; e; f; g; h; j; k		
132			BATTERY CR2032 V3 LITIO			a; b; c; d; e; f; g; h; j; k		
133	0675403M00	0CK674	MICROSD HC 8GB CL4 SANDISK			a; b; c; d; e; f; g; h; j; k		
134	083040PG01	0CK685	ASS. TOUCH UI ELUX PREDISPOSED WITH ETHERNET DIRECT CONNECTION			a; b; c; d; e; f; g; h; j; k		
135	0755R13902	095934	ADHESIVE DECOR A EPR TOUCH			d; e; f; g; h	EPR	
135	0755R16103	095935	ADHESIVE DECOR ZANUSSI TOUCH			a; b; c	ZAN	
135	0755R16202	095936	ADHESIVE DECOR ALPEN			j; k	ALPEN	
135	0541402S01		ADHESIVE DECOR DIAMOND			m	DIAMOND	
136	0503R91001	096043	CONDENSER PANEL BCF30 ZAN/APX/			a; b; c; j; k	ZAN/ ALPEN	
136	0503R55503	095950	CONDENSER PANEL BCF30 JJ EPR			d; e; f; g; h	EPR	
137	0503R48403	095946	CONTROL PANEL BCF30 JJ			a; b; c; d; e; f; g; h; j; k		
138	0541401D01	0CK161	PROTECTION COMAND PANEL			a; b; c; d; e; f; g; h; j; k		
139	0638406L00	0CB910	ETHERNET CABLE RJ45 M-M CAT.5E L=1000MM			c; d	FOR IOT MODULE	
140	0639402900	0CB911	CONNECTION RJ45 - VS-08-BU-RJ45/ BU - PHOENIX 1689064			c; d	FOR IOT MODULE	
150	0648R11100	096209	RELAY 50A + DISSIPATOR	x		a; b; c; d; e; f; g; h; j; k		
151	0648R08400	095281	RELAY FINDER	x		a; b; c; d; e; f; g; h; j; k		
152	0694700800	084987	FILTER LC		x	a; b; c; d; e; f; g; h; j; k		
153	0648R02T00	09A1XD	ACU PETRA - BITRON ATEX			a; b; c; d; e; f; g; h; j; k		
154	0648R10000	095639	POWER SUPPLY 12V 30W			a; b; c; d; e; f; g; h; j; k		
155	0546401600	095984	ROUND SPACER Ø 6,6	x		a; b; c; d; e; f; g; h; j; k		
156	0639R05V00	09A1XT	POWER TERMINAL BLOCK			a; b; c; d; e; f; g; h; j; k		
157	0639R05W00	09A1XU	FUSE HOLDER TERMINAL BLOCK			a; b; c; d; e; f; g; h; j; k		
158	0544802300		CABLE GLAND + LOCK NUT			a; b; c; d; e; f; g; h; j; k		
159	0899725901		THREE-PHASE GROUND CONNECTION			a; b; c; d; e; f; g; h; j; k		
160	0652R02400	095933	GLASS FUSE 10A T 5X20 250 V			a; b; c; d; e; f; g; h; j; k		

SPARE PARTS LIST - CONTROL PANEL

* On demand

Bold=last change

From Ser. Nr. Up to Ser. Nr.	Ed. 01 2024-12 Ed. 01 2024-12	Page: 13	Doc No: 595R0A500
---------------------------------	----------------------------------	----------	--------------------------