

MOD : WR-GRPN-43

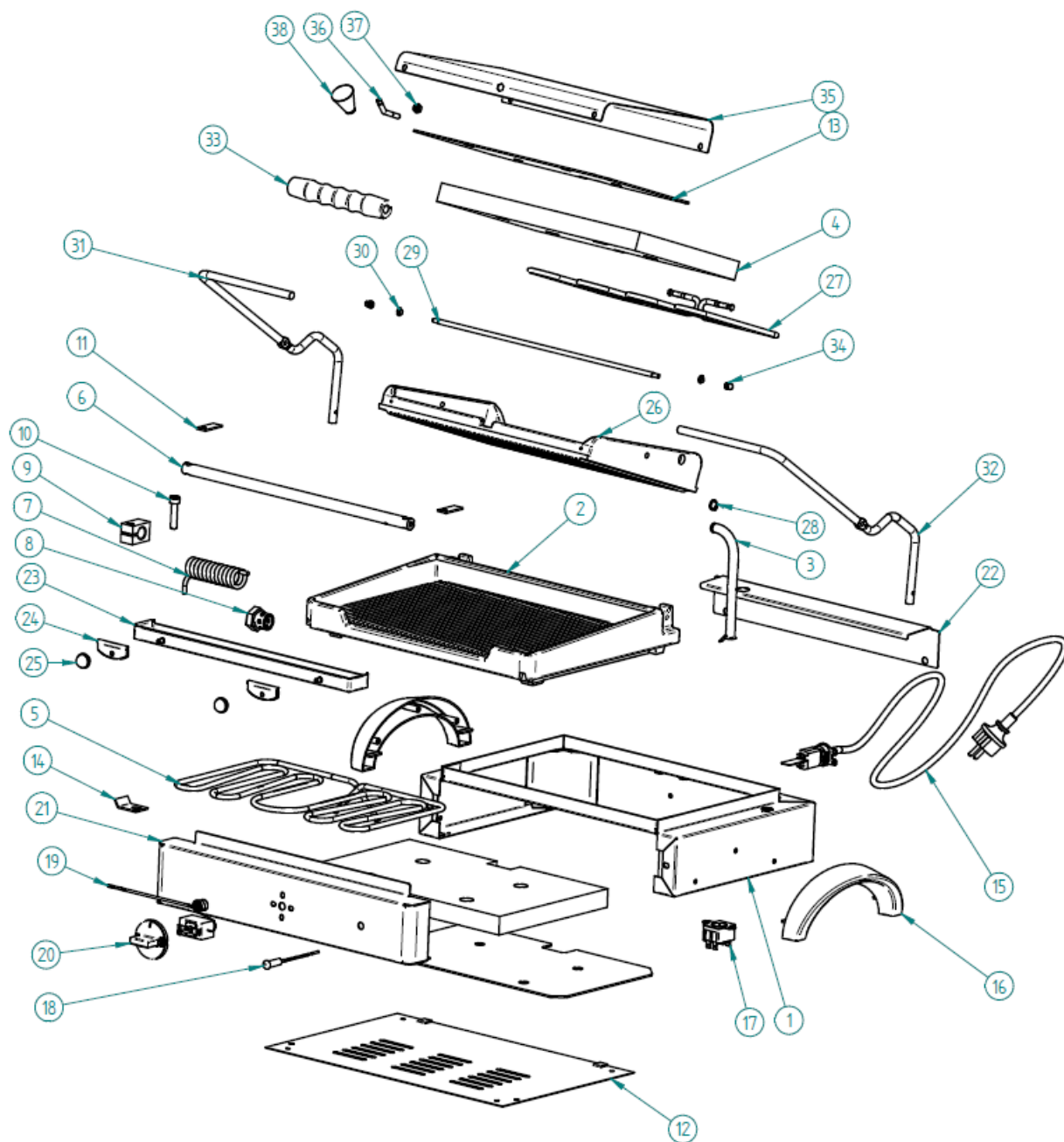
Production code : 2.0.069.0410



EXPLODED VIEW



CONTACT GRILL



ITEM N°	CÓDIGO	DESIGNAÇÃO	DESIGNATION	QUANT.
1	7.0.069.0035	CHASSI CONJUNTO GR6	OUTER CASING ASSEMB. GR 6	1
2	7.0.069.0081	BASE CANELADA PINTADA GR6	PAINTED GROOVED BOTTOM PLATE GR 6	1
3	4.0.066.0089	TUBO ISOLADOR GR	INSULATING TUBE GR	1
4	7.0.069.0028	ISOLAMENTO LA CERAMICA GR 6	CERAMIC WOOL INSULATION GR 6	2
5	4.0.069.0045	RESISTENCIA INFERIOR 1900W 240V GR 6	LOWER HEAT. ELEMENT 1900W 240V GR6	1
6	7.0.069.0010	VEIO POSTERIOR ZINC. GR 6	ZINC-PLATED REAR SHAFT GR6	1
7	4.0.066.0020	MOLA INOX 5MM	SPRING 5MM	1
8	4.0.066.0044	AFINADOR DA MOLA GR	SPRING ADJUSTOR GR	1
9	7.0.066.0075	AJUSTADOR BRONZE MAQ. GR	BRASS ADJUSTER GR	1
10	4.0.066.0060	PARAFUSO UMBRACO M8x35 ZINC. DIN912	CYLIND. HEAD SCREW W/ HEX. SOCKET M8X35 ZINC. DIN912	1
11	7.0.066.0007	CHAPA FIXAÇÃO VEIO GR	SHAFT BRACKET GR	2
12	7.0.069.0056	BLINDAGEM DO FUNDO MAQUIN. GR6	BOTTOM SHIELD GR 6	1
13	7.0.069.0020	CHAPA FIXAÇÃO RESIST. GR 6	HEATING ELEMENT BRACKET GR 6	2
14	7.0.066.0018	FIXADOR BOLBO TERMOSTATO GR	THERMOSTAT BULB BRACKET GR	1
15	4.0.075.0054	CABO SECTOR CONJ. 3G1,5 (PA 84E)	(PA 84E) 3G1,5 CABLE SET	1
16	4.0.075.0064	ASA PLASTICO	PLASTIC WING	2
17	4.0.066.0108	TERMOSTATO SEGURANÇA 150°	SAFETY THERMOSTAT 150°	1
18	4.0.066.0025	SINALIZADOR LARANJA TER. PONT. 350MM SL10207	350MM ORANGE LED	1
19	4.0.066.0114	TERMOSTATO REGULAVEL 250°	250° ADJUSTABLE THERMOSTAT	1
20	4.0.066.0112	MANIPULO TERMOSTATO 0-250°	THERMOSTAT CONTROL KNOB	1
21	7.0.069.0092	PAINEL FRONTAL ESTAMP. C/ PORCAS GR 6	PRINTED FRONT PANEL W/NUTS GR 6	1
22	7.0.069.0065	PROTEÇÃO MOLA GR 6	SPRING PROTECTION GR 6	1
23	7.0.069.0071	MOLHEIRA CONJUNTO GR6	DRIP TRAY ASSEMB. GR 6	1
24	4.0.066.0088	PROTEÇÃO TERMICA MOLHEIRA GR	THERMIC PROTECTION	2
25	4.0.066.0037	MANIPULO ESFERICO Ø18MM (M5)	HANDLE DRIP TRAY	2
26	7.0.069.0078	GRELHA SUPERIOR CANEL. PINT. GR 6	PAINTED GROOVED UPPER PLATE GR 6	1
27	4.0.069.0050	RESISTENCIA SUPERIOR 1350W 240V GR 6	UPPER HEAT. ELEMENT 1350W 240V GR6	1
28	4.0.066.0065	FREIO EXTERIOR 12MM	EXTERIOR BRAQUE 12MM	1
29	4.0.069.0030	EIXO TAMPA GR 6	LID SHAFT GR 6	1
30	7.0.066.0006	CASQUILHO GR 5353.000.13 NIQ.	SLEEVE GR 5353.000.13 NIQ.	2
31	7.0.069.0023	BRAÇO ESQUERDO CROM GR6	CHROMED-PLATED LEFT ARM GR 6	1
32	7.0.069.0025	BRAÇO DIREITO CROM GR6	CHROMED-PLATED RIGHT ARM GR 6	1
33	4.0.066.0048	PEGADEIRA Ø10MM GR	HANDLE DIAM. 10 GR	1
34	4.0.066.0030	PORCA M5 NIQ. DIN1587	NUT M5	2
35	7.0.069.0060	TAMPA GRELHA SUP. GR 6	UPPER PLATE COVER GR 6	1
36	7.0.066.0013	VEIO PUNHO INOX GR 5353.000.18	STAINLESS STEEL HANDLE SHAFT GR 5353.000.18	1
37	4.2.000.9181	PORCA M6 INOX DIN934	M6 NUT STAINLESS STEEL DIN934	1
38	4.0.065.0004	MANIPULO 607 A C/ ROSCA M6	KNOB 607 WITH THREAD M6	1